

Audio



SENAB

Färgmarkeringar och/eller symboler för hållbara alternativ i prislistan:

Mörkgrön markering eller symbol

Miljömärkt produkt – Möbler där hela den sammansatta varan har en typ 1 miljömärkning enligt ISO 14024 med Svanen, Möbelfakta, EU Ecolabel eller annan likvärdig märkning.

Ljusgrön markering eller symbol

Hållbarhetsmärkt produkt eller beståndsdel – Möbler där hela eller delar av den sammansatta varan är hållbarhetsmärkt, exempelvis med FSC, EU Ecolabel eller OEKO-TEX®. Leverantören ska kunna ge mer detaljerad information om vilka delar eller variationer som är hållbarhetsmärka vid begäran.

Orange markering eller symbol

Klimatberäknad produkt – Produkt med dokumenterad miljövarudeklaration (EPD) enligt ISO 14025.

Lila markering eller symbol

Produkt med återvunnet eller förnybart material (enligt definitionerna i ISO 14021). Leverantören ska kunna ge information om andel (%) återvunnet och/eller förnybart (biobaserat) vid begäran. Märkning av återvinningsbart material utgår.

Blå markering eller symbol

Demonterbar produkt – Produkt som är demonterbar till olika komponenter och beståndsdelar som i första hand möjliggör återbruk och i andra hand materialåtervinning när produkten nått sin fulla livslängd. Produkten ska vara designad för renovering, det vill säga att det ska vara enkelt att reparera och byta ut moduler, komponenter och beståndsdelar som slits över tid. Exempelvis ska ytskikt, som bordsskivor, textil och stoppning kunna tas isär, avlägsnas och ersättas med hjälp av vanligt förekommande manuella verktyg, ej specialverktyg. Enklare reparationer och utbytesarbeten ska kunna utföras av en lekman. Om det krävs fackmanakunskap för mer avancerade arbeten ska det framgå av anvisningarna som leverantören ska kunna ge vid begäran. Anvisningarna ska innehålla en sprängskiss, steg för steg beskrivning inklusive vilka verktyg som krävs samt hur möbelns ingående delar bör källsorteras.

TABLE of CONTENTS

SALES CONTACTS

Theis Johnson
Chief Sales Officer, Retail & Contract, Global
tjo@audocph.com

Alexander Furland
Head of Sales, Contract, Northern Europe
afu@audocph.com

Inger Helen Nummedal
Head of Sales, Retail, Northern Europe
ihn@audocph.com

Anders Svenssons
Sales Executive, Retail
asv@audocph.com

Martin Stridsberg
Sales Executive, Contract
mst@audocph.com

Sofia Levison
Sales Executive, Contract
sol@audocph.com

PRESS ENQUIRIES
press@audocph.com

www.audocph.com
@audocph

PREFACE

The Fundamentals →

FURNITURE

Chairs

Afteroom Dining Chair Collection →

Co Dining Chair Collection →

Harbour Dining Chair Collection →

Ready Dining Chair Collection →

Merkur Dining Chair Collection →

The Penguin Chair Collection ^{NEW} →

WM String Chair Collection →

Counter and Bar Chairs

Afteroom Counter and Bar Chair →

Co Counter and Bar Chair →

Harbour Counter and Bar Chair →

Lounge Chairs

Tearoom Collection →

Co Lounge Chair →

Harbour Lounge Chair →

Knitting Lounge Chair →

Brasilia Lounge Chair →

Brasilia Ottoman →

Saxe Chair →

The Tired Man, Lounge Chair →

The Tired Man, Ottoman →

Ingeborg, Lounge Chair →

Ingeborg, Ottoman →

My Own Lounge Chair, →

My Own Lounge Chair, Ottoman →

Constance, Lounge Chair →

Elizabeth Lounge Chair →

Elizabeth Ottoman →

Oda Lounge Chair →

Oda Ottoman →

The Seal Lounge Chair, High Back →

The Seal Lounge Chair, low Back →

The Seal Ottoman →

Stools and Benches

Afteroom Stool →

Afteroom Counter Stool →

Afteroom Bar Stool →

Passage Stool →

Passage Counter Stool →

Passage Bar Stool →

ML 42, Shoemaker Stool →

ML 42, Counter Stool →

ML 42, Bar Stool →

Afteroom Bench →

Dining Tables

Androgyne Dining Table →

Harbour Column Dining Table →

Snaregade Dining Table →

Counter and Bar Tables

Harbour Counter and Bar Table →

Desks and Lounge Tables

Rail Desk →

The Eclipse Desk →

Androgyne Side Table →

Androgyne Lounge Table →

Harbour Column Lounge Table →

Passage Lounge Table →

NoNo Table →

Jäger Lounge Table →

Plinth Collection

Plinth Low →

Plinth Cubic →

Plinth Tall →

Plinth Grand →

Plinth Pedestal →

Plinth Bridge →

Sofas

Offset Sofa →

Offset Sofa w/Loose Cover →

Offset Loose Cover →

Tearoom Sofa →

Tearoom Sofa High Back →

Tearoom Sofa High Back w/Power →

Cairn Pouf →

Ingeborg Sofa →

Vilhelm Sofa →

Mingle Sofa →

Constance Sofa →

Pagode →

Radiohus Sofa P2 →

Radiohus Sofa P3 →

Eave Collection

Eave 75 →

Eave 86 ^{NEW} →

Eave 96 ^{NEW} →

Eave Dining Sofa →

TABLE *of* CONTENTS

<i>Shelves and Storage</i>	<i>Table Lamps</i>	<i>Bulbs and Charging Systems</i> →	UPHOLSTERY PROGRAMME
Rail Shelf →	Torso Table Lamp →	TR Bulb →	Textile Upholstery Programme →
Zet Storage System →	Reverse Table Lamp →	Globe Bulb →	Textile Upholstery Selection & Furniture →
Gridy Fungi Shelf →	Hashira Table Lamp →	Bulb →	Leather Upholstery Programme →
Epoch Shelf →	JWDA Table Lamp →	Charging Board →	Leather Upholstery Selection & Furniture →
Epoch Rack →	Peek Table Lamp →	Charging Trolley →	
Afteroom Coat Hanger →	Wing Table Lamp →	Universal Charger →	
	Klampenborg Table Lamp →		
<i>Frame Collection</i>	<i>Portable Lamps</i>	ADDENDUM	
Frame 28 →	Carrie Table Lamp →	Lead Times & Trading Terms →	
Frame 35 →	Column Table Lamp →	Audio Swatch Box Pricelist →	
Frame 42 →	Hashira Table Lamp →	POS Overview →	
Frame 49 →	JWDA Table Lamp →	DALI Compatibility →	
Frame 70 →	Torso Table Lamp →	Lighting Technical Specification Overview →	
Door for Frame →	Phare Table Lamp →	Recommended Audio Bulbs →	
Shelf for Frame →	Ray Table Lamp, Portable →	Lighting Sources & Battery Specifications →	
Base for Frame →		Environmental Policy →	
Suspension brackets for Frame →	<i>Wall Lamps</i>	General Terms and Conditions →	
Frame 49 Trio →	Hashira Wall Lamp →	Materials & Maintenance →	
Frame Shoe Cabinet →	TR Bulb Ceiling/Wall Lamp →	Variations in Natural Materials →	
Frame View →	Cast Sconce Wall Lamp w/Diffuser →		
Frame Square Standard →	Collector Wall Lamp →		
LIGHTING	<i>Floor Lamps</i>		
<i>Pendants</i>	Hashira Floor Lamp →		
Levitate Pendant →	Hashira Floor Lamp, High →		
Umanoff Pendant →	JWDA Floor Lamp →		
Hashira Pendant →	Peek Floor Lamp →		
JWDA Pendant →	Wing Floor Lamp →		
TR Bulb Pendant →			
TR Bulb Suspension Frame →			
Bank Pendant →			
Cast Pendant →			
Dancing Pendant →			
Resonant Pendant →			
Collector Chandelier →			

Furniture



Afteroom Dining Chair



Afteroom Dining Chair Plus





CORE

AFTERROOM DINING CHAIR Designed by *Afteroom*

[BACK TO START](#)

Dining chair with tubular powder coated steel base with extended backrest in veneer. Available with or without upholstered seat.



PRODUCT OPTIONS

Seat



WITH UPHOLSTERY

Powder coated steel base



BLACK STEEL

Spec options


Available in fabrics from our upholstery programme. Standard lead times apply.

For custom upholstery, please refer to the guiding textile/leather consumption:
COM: 0,54 m / 0,594 yds
COL: 0,45 m2 / 4,8465 sqft

Prices excl. custom upholstery are equal to *Price Category 1 Textile or Leather*. Contact Sales support for approval of custom upholstery and to place your order.

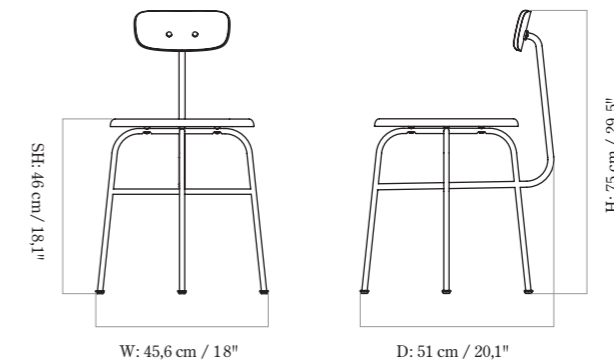
The above textile consumption is only valid for textile rolls with a width equal to or greater than 140 cm. For smaller textile rolls, please contact Sales Support for guidance. For textile with pattern, please expect a higher usage for correct pattern fitting. Please contact Sales Support for guidance.

QUICK SHIP OPTIONS — PRICES IN SEK *Selected combinations up to 4 weeks delivery time.*

SKU	VARIANT	EXCL. VAT
<i>Seat with upholstery — Black steel base</i>		
8420005-000A00ZZ	 AFTERROOM DINING CHAIR, BLACK STEEL / DUNES COGNAC 21000	4.716,00

TECHNICAL SPECIFICATIONS

COLLI	WEIGHT	TEST	CERTIFICATIONS
1	Without upholstery: 4,6 kg / 10,1 lb With upholstery: 4,2 kg / 9,3 lb	EN1022:2005, L1 EN16139:2013, L1	TSCA title VI compliant Declare.





CORE

AFTERROOM DINING CHAIR
Designed by *Afteroom*

[BACK TO START](#)

SPEC OPTIONS — PRICES IN SEK
6–8 weeks delivery time

SKU	VARIANT	EXCL. VAT
<i>Textile — Seat with upholstery — Black steel base</i>		
8420020	<i>Price Category 0</i> Audo Bouclé, Audo	2.716,00
8420001	<i>Price Category 1</i> Barnum Bouclé, Audo / Champion, JAB / Illusion, Nevotex / Hot Madison, JAB / Maple, Kvadrat / Remix 3, Kvadrat / Re-wool, Kvadrat	3.276,00
8420002	<i>Price Category 2</i> Canvas 2, Kvadrat / Clay, Kvadrat, Sahco / Colline 2, Kvadrat / Fiord 2, Kvadrat / Hallingdal 65, Kvadrat / Moss, Kvadrat, Sahco / Reflect, Kvadrat / Savanna, Kvadrat / Steelcut 2, Kvadrat / Steelcut Trio 3, Kvadrat	4.076,00
8420003	<i>Price Category 3</i> Arctic, JAB / Safire, Kvadrat, Sahco / Vidar 4, Kvadrat, Sahco / Zero, Kvadrat, Sahco	4.556,00
8420008	<i>Price Category 4</i> Cabanon Soft, Designers Guild / DoppioPanama, Dedar / Grand Mohair, Danish Art Weaving / Lupo, Dedar	4.796,00
<i>Leather — Seat with upholstery — Black steel base</i>		
8420004	<i>Price Category 1</i> Dakar, Nevotex / Envy, Sørensen Leather / Ultra, Sørensen Leather	4.076,00
8420005	<i>Price Category 2</i> Dunes, Sørensen Leather / Nuance, Sørensen Leather	4.716,00
8420006	<i>Price Category 3</i> Royal Nubuck, Sørensen Leather	5.116,00
8420007	<i>Price Category 4</i> Elegance, Sørensen Leather	6.476,00



CORE

AFTERROOM DINING CHAIR PLUS Designed by *Afteroom*

[BACK TO START](#)

Dining chair with tubular powder coated steel base with extended backrest in veneer. Available with or without upholstered seat.

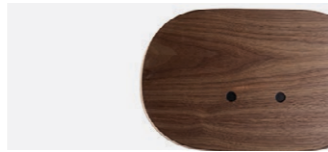
PRODUCT OPTIONS

Seat



WITH UPHOLSTERY

Backrest options



WALNUT



WITH UPHOLSTERY

Powder coated steel base



BLACK

Spec options

Available in fabrics from our upholstery programme. Standard lead times apply.

For custom upholstery, please refer to the guiding textile/leather consumption:

Seat COM: 0,54 m / 0,594 yds

Seat COL: 0,45 m² / 4,8465 sqft

Seat and backrest COM: 0,59 m / 0,649 yds

Seat and backrest COL: 0,88 m² / 9,4776 sqft

Prices excl. custom upholstery are equal to Price Category 1 Textile or Leather. Contact Sales support for approval of custom upholstery and to place your order.

The above textile consumption is only valid for textile rolls with a width equal to or greater than 140 cm. For smaller textile rolls, please contact Sales Support for guidance. For textile with pattern, please expect a higher usage for correct pattern fitting. Please contact Sales Support for guidance.

TECHNICAL SPECIFICATIONS

COLLI

1

WEIGHT

4,2 kg /9,3 lb

TEST

EN1022:2005, L1
EN16139:2013, L1

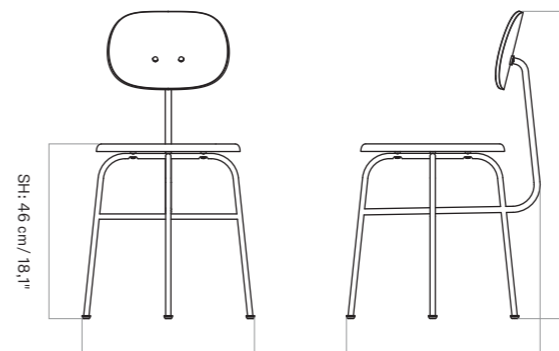
CERTIFICATIONS

TSCA title VI compliant

Declare.



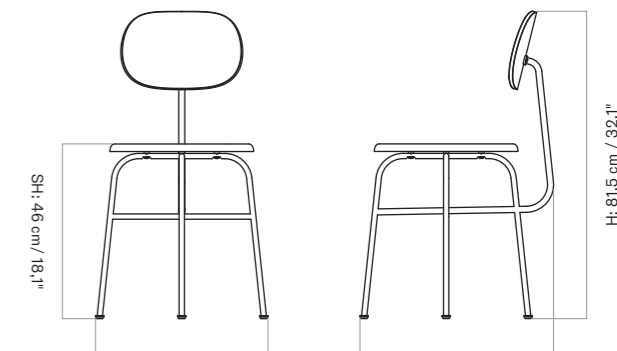
AFTERROOM DINING CHAIR PLUS, WALNUT BACKREST



W: 45,6 cm / 18"

D: 51 cm / 20,1"

AFTERROOM DINING CHAIR PLUS, UPHOLSTERED BACKREST



W: 45,6 cm / 18"

D: 51 cm / 20,1"



CORE

AFTERROOM DINING CHAIR PLUS
Designed by *Afteroom*

[BACK TO START](#)

SPEC OPTIONS — PRICES IN SEK
6–8 weeks delivery time

SKU	VARIANT	EXCL. VAT
<i>Textile — Seat with upholstery — Walnut backrest</i>		
8440020	<i>Price Category 0</i> Audo Bouclé, Audo	3.036,00
8440001	<i>Price Category 1</i> Barnum Bouclé, Audo / Champion, JAB / Illusion, Nevotex / Hot Madison, JAB / Maple, Kvadrat / Remix 3, Kvadrat / Re-wool, Kvadrat	3.516,00
8440002	<i>Price Category 2</i> Canvas 2, Kvadrat / Clay, Kvadrat, Sahco / Colline 2, Kvadrat / Fiord 2, Kvadrat / Hallingdal 65, Kvadrat / Moss, Kvadrat, Sahco / Reflect, Kvadrat / Savanna, Kvadrat / Steelcut 2, Kvadrat / Steelcut Trio 3, Kvadrat	4.156,00
8440003	<i>Price Category 3</i> Arctic, JAB / Safire, Kvadrat, Sahco / Vidar 4, Kvadrat, Sahco / Zero, Kvadrat, Sahco	5.116,00
8440008	<i>Price Category 4</i> Cabanon Soft, Designers Guild / Doppiopanama, Dedar / Grand Mohair, Danish Art Weaving / Lupo, Dedar	5.356,00
<i>Leather — Seat with upholstery — Walnut backrest</i>		
8440004	<i>Price Category 1</i> Dakar, Nevotex / Envy, Sørensens Leather / Ultra, Sørensens Leather	4.236,00
8440005	<i>Price Category 2</i> Dunes, Sørensens Leather / Nuance, Sørensens Leather	5.276,00
8440006	<i>Price Category 3</i> Royal Nubuck, Sørensens Leather	5.836,00
8440007	<i>Price Category 4</i> Elegance, Sørensens Leather	7.356,00

SPEC OPTIONS — PRICES IN SEK
6–8 weeks delivery time

SKU	VARIANT	EXCL. VAT
<i>Textile — Seat and Backrest with upholstery</i>		
8450020	<i>Price Category 0</i> Audo Bouclé, Audo	3.356,00
8450001	<i>Price Category 1</i> Barnum Bouclé, Audo / Champion, JAB / Illusion, Nevotex / Hot Madison, JAB / Maple, Kvadrat / Remix 3, Kvadrat / Re-wool, Kvadrat	4.076,00
8450002	<i>Price Category 2</i> Canvas 2, Kvadrat / Clay, Kvadrat, Sahco / Colline 2, Kvadrat / Fiord 2, Kvadrat / Hallingdal 65, Kvadrat / Moss, Kvadrat, Sahco / Reflect, Kvadrat / Savanna, Kvadrat / Steelcut 2, Kvadrat / Steelcut Trio 3, Kvadrat	4.956,00
8450003	<i>Price Category 3</i> Arctic, JAB / Safire, Kvadrat, Sahco / Vidar 4, Kvadrat, Sahco / Zero, Kvadrat, Sahco	5.836,00
8450008	<i>Price Category 4</i> Cabanon Soft, Designers Guild / Doppiopanama, Dedar / Grand Mohair, Danish Art Weaving / Lupo, Dedar	6.556,00
<i>Textile — Seat and Backrest with upholstery</i>		
8450004	<i>Price Category 1</i> Dakar, Nevotex / Envy, Sørensens Leather / Ultra, Sørensens Leather	4.956,00
8450005	<i>Price Category 2</i> Dunes, Sørensens Leather / Nuance, Sørensens Leather	5.836,00
8450006	<i>Price Category 3</i> Royal Nubuck, Sørensens Leather	6.876,00
8450007	<i>Price Category 4</i> Elegance, Sørensens Leather	8.876,00

CORE

 Co Dining Chair, Veneer →

 Co Dining Chair w/Armrest, Veneer →

 Co Dining Chair, Seat Upholstered →

 Co Dining Chair w/Armrest, Seat Upholstered →

 Co Dining Chair, Fully Upholstered →

 Co Dining Chair w/Armrest, Fully Upholstered →

Co Dining Chair Trolley NEW →

Co Dining Chair Row Connection →



CORE

CO DINING CHAIR VENEER

Designed by *Norm Architects & Els Van Hoorebeeck*

[BACK TO START](#)

Chair with black powder coated or chromed steel base with curved wood veneer seat and backrest in natural, dark stained or black oak.

PRODUCT OPTIONS

Seat and backrest



NATURAL OAK



DARK STAINED OAK



BLACK OAK

Steel base



BLACK POWDER COATED STEEL



CHROMED STEEL



TECHNICAL SPECIFICATIONS

COLLI

1

WEIGHT

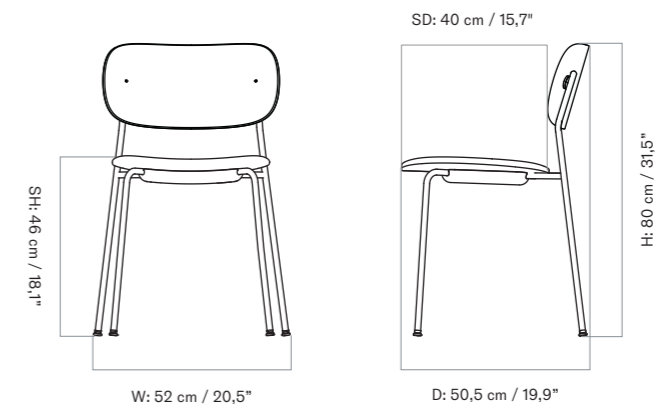
5,8 kg / 12,8 lb

TEST

EN1022:2005, L1
EN16139:2013, L1

CERTIFICATIONS

TSCA title VI compliant





CO DINING CHAIR VENEER
Designed by *Norm Architects & Els Van Hoorebeeck*

[BACK TO START](#)

CORE

QUICK SHIP OPTIONS — PRICES IN SEK
Selected combinations up to 4 weeks delivery time.

SKU	VARIANT	EXCL. VAT
<i>Black steel base</i>		
1160039	 CO DINING CHAIR, BLACK STEEL / NATURAL OAK	2.956,00
1160849	 CO DINING CHAIR, BLACK STEEL / DARK STAINED OAK	2.956,00
1161539	 CO DINING CHAIR, BLACK STEEL / BLACK OAK	2.956,00

QUICK SHIP OPTIONS — PRICES IN SEK
Selected combinations up to 4 weeks delivery time.

SKU	VARIANT	EXCL. VAT
<i>Black steel base</i>		
1172019	 CO DINING CHAIR, CHROME / NATURAL OAK	3.276,00
1172849	 CO DINING CHAIR, CHROME / DARK STAINED OAK	3.276,00
1172539	 CO DINING CHAIR, CHROME / BLACK OAK	3.276,00



CO DINING CHAIR W/ARMREST, VENEER
Designed by *Norm Architects & Els Van Hoorebeeck*

[BACK TO START](#)

CORE

Chair with black powder coated or chromed steel base with curved wood veneer seat, backrest and armrest in natural, dark stained or black oak.



PRODUCT OPTIONS

Seat and backrest



NATURAL OAK



DARK STAINED OAK



BLACK OAK

Steel base



BLACK POWDER COATED STEEL



CHROMED STEEL

With armrest



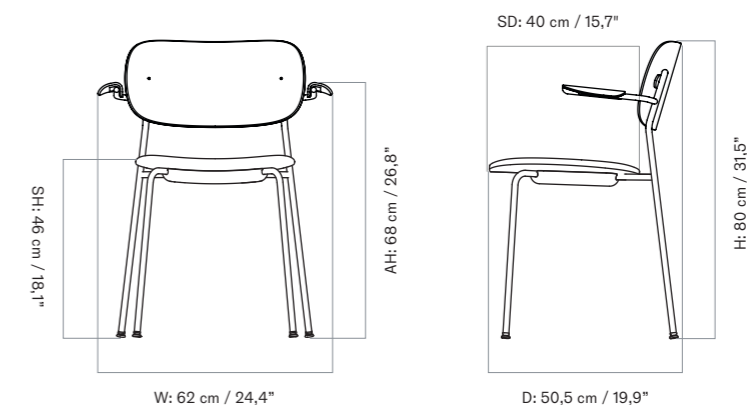
ARMREST

QUICK SHIP OPTIONS — PRICES IN SEK
Selected combinations up to 4 weeks delivery time.

SKU	VARIANT	EXCL. VAT
<i>Black steel base</i>		
1165039	 CO DINING CHAIR W/ARMREST, BLACK STEEL / NATURAL OAK	3.356,00
1165849	 CO DINING CHAIR W/ARMREST, BLACK STEEL / DARK STAINED OAK	3.356,00
1166539	 CO DINING CHAIR W/ARMREST, BLACK STEEL / BLACK OAK	3.356,00

TECHNICAL SPECIFICATIONS

COLLI	WEIGHT	TEST	CERTIFICATIONS
1	5,8 kg / 12,8 lb	EN1022:2005, L1 EN16139:2013, L1	Veneered variants: VKF classification (BKZ): 5.3 / RF2 Crafted from FSC certified veneer Declare.





CORE

CO DINING CHAIR, SEAT UPHOLSTERED Designed by *Norm Architects & Els Van Hoorebeeck*

[BACK TO START](#)

Chair with black powder coated or chromed steel base with curved wood backrest in natural, dark stained or black oak. With upholstery seat.



PRODUCT OPTIONS

Seat and backrest



NATURAL OAK



DARK STAINED OAK



BLACK OAK

Steel base



BLACK POWDER COATED STEEL



CHROMED STEEL

Spec options

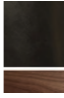
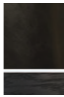
Available in fabrics from our upholstery programme. Standard lead times apply.

For custom upholstery, please refer to the guiding textile/leather consumption:
COM: 0,59 m / 0,649 yds
COL: 0,88 m2 / 9,4776 sqft

Prices excl. custom upholstery are equal to Price Category 1 Textile or Leather. Contact Sales support for approval of custom upholstery and to place your order.

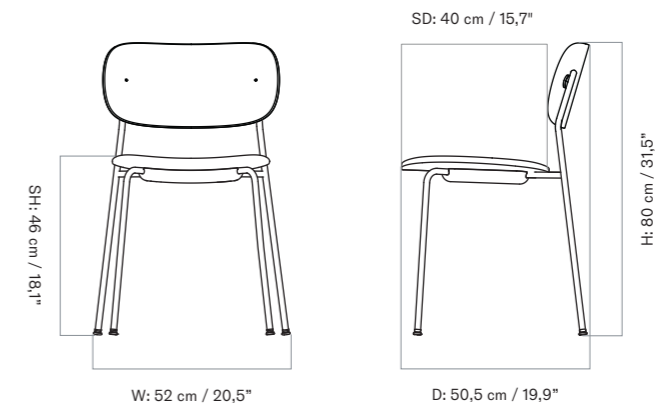
The above textile consumption is only valid for textile rolls with a width equal to or greater than 140 cm. For smaller textile rolls, please contact Sales Support for guidance. For textile with pattern, please expect a higher usage for correct pattern fitting. Please contact Sales Support for guidance.

QUICK SHIP OPTIONS — PRICES IN SEK *Selected combinations up to 4 weeks delivery time.*

SKU	VARIANT	EXCL. VAT
<i>Seat with upholstery — Black steel base</i>		
1160004-011H01ZZ	 CO DINING CHAIR, BLACK STEEL / DARK STAINED OAK / DAKAR 0842	4.556,00
1160004-001H01ZZ	 CO DINING CHAIR, BLACK STEEL / BLACK OAK / DAKAR 0842	4.556,00

TECHNICAL SPECIFICATIONS

COLLI	WEIGHT	TEST	CERTIFICATIONS
1	8,5 kg / 18,7 lb	EN1022:2005, L2 EN16139:2013, L2	Veneered variants: VKF classification (BKZ): 5.3 / RF2 Crafted from FSC certified veneer Declare.





CO DINING CHAIR, SEAT UPHOLSTERED
Designed by *Norm Architects & Els Van Hoorebeeck*

[BACK TO START](#)

CORE

SPEC OPTIONS — PRICES IN SEK
6–8 weeks delivery time

SKU	VARIANT	EXCL. VAT
<i>Textile — Seat with upholstery — Black steel base</i>		
1160020	<i>Price Category 0</i> Audo Bouclé, Audo	3.276,00
1160001	<i>Price Category 1</i> Barnum Bouclé, Audo / Champion, JAB / Illusion, Nevotex / Hot Madison, JAB / Maple, Kvadrat / Remix 3, Kvadrat / Re-wool, Kvadrat	3.916,00
1160002	<i>Price Category 2</i> Canvas 2, Kvadrat / Clay, Kvadrat, Sahco / Colline 2, Kvadrat / Fiord 2, Kvadrat / Hallingdal 65, Kvadrat / Moss, Kvadrat, Sahco / Reflect, Kvadrat / Savanna, Kvadrat / Steelcut 2, Kvadrat / Steelcut Trio 3, Kvadrat	4.556,00
1160003	<i>Price Category 3</i> Arctic, JAB / Safire, Kvadrat, Sahco / Vidar 4, Kvadrat, Sahco / Zero, Kvadrat, Sahco	5.036,00
1160008	<i>Price Category 4</i> Cabanon Soft, Designers Guild / Doppioanama, Dedar / Grand Mohair, Danish Art Weaving / Lupo, Dedar	5.676,00
<i>Leather — Seat with upholstery — Black steel base</i>		
1160004	<i>Price Category 1</i> Dakar, Nevotex / Envy, Sørensens Leather / Ultra, Sørensens Leather	4.556,00
1160005	<i>Price Category 2</i> Dunes, Sørensens Leather / Nuance, Sørensens Leather	5.276,00
1160006	<i>Price Category 3</i> Royal Nubuck, Sørensens Leather	5.996,00
1160007	<i>Price Category 4</i> Elegance, Sørensens Leather	7.516,00

SPEC OPTIONS — PRICES IN SEK
6–8 weeks delivery time

SKU	VARIANT	EXCL. VAT
<i>Textile — Seat with upholstery — Chromed steel base</i>		
1172020	<i>Price Category 0</i> Audo Bouclé, Audo	3.516,00
1172001	<i>Price Category 1</i> Barnum Bouclé, Audo / Champion, JAB / Illusion, Nevotex / Hot Madison, JAB / Maple, Kvadrat / Remix 3, Kvadrat / Re-wool, Kvadrat	4.156,00
1172002	<i>Price Category 2</i> Canvas 2, Kvadrat / Clay, Kvadrat, Sahco / Colline 2, Kvadrat / Fiord 2, Kvadrat / Hallingdal 65, Kvadrat / Moss, Kvadrat, Sahco / Reflect, Kvadrat / Savanna, Kvadrat / Steelcut 2, Kvadrat / Steelcut Trio 3, Kvadrat	4.796,00
1172003	<i>Price Category 3</i> Arctic, JAB / Safire, Kvadrat, Sahco / Vidar 4, Kvadrat, Sahco / Zero, Kvadrat, Sahco	5.436,00
1172008	<i>Price Category 4</i> Cabanon Soft, Designers Guild / Doppioanama, Dedar / Grand Mohair, Danish Art Weaving / Lupo, Dedar	6.556,00
<i>Leather — Seat with upholstery — Chromed steel base</i>		
1172004	<i>Price Category 1</i> Dakar, Nevotex / Envy, Sørensens Leather / Ultra, Sørensens Leather	4.796,00
1172005	<i>Price Category 2</i> Dunes, Sørensens Leather / Nuance, Sørensens Leather	5.596,00
1172006	<i>Price Category 3</i> Royal Nubuck, Sørensens Leather	6.636,00
1172007	<i>Price Category 4</i> Elegance, Sørensens Leather	8.236,00



CORE

CO DINING CHAIR W/ARMREST, SEAT UPHOLSTERED Designed by *Norm Architects & Els Van Hoorebeeck*

[BACK TO START](#)

Chair with black powder coated or chromed steel base with curved wood veneer backrest and armrest in natural, dark stained or black oak. With upholstery seat and with armrest.



PRODUCT OPTIONS

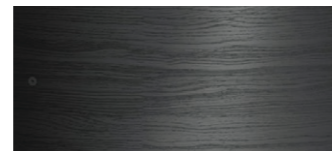
Seat and backrest



NATURAL OAK



DARK STAINED OAK



BLACK OAK

Steel base



BLACK POWDER COATED STEEL



CHROMED STEEL

With armrest



ARMREST

Spec options

Available in fabrics from our upholstery programme. Standard lead times apply.

For custom upholstery, please refer to the guiding textile/leather consumption:
COM: 0,59 m / 0,649 yds
COL: 0,88 m² / 9,4776 sqft

Prices excl. custom upholstery are equal to Price Category 1 Textile or Leather. Contact Sales support for approval of custom upholstery and to place your order.

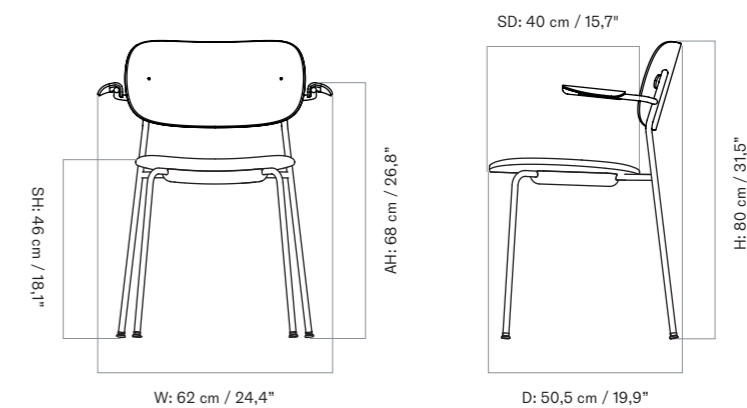
The above textile consumption is only valid for textile rolls with a width equal to or greater than 140 cm. For smaller textile rolls, please contact Sales Support for guidance. For textile with pattern, please expect a higher usage for correct pattern fitting. Please contact Sales Support for guidance.

QUICK SHIP OPTIONS — PRICES IN SEK
Selected combinations up to 4 weeks delivery time.

SKU	VARIANT	EXCL. VAT
<i>Seat with upholstery — Black steel base</i>		
1165004-011H00ZZ	 CO DINING CHAIR W/ARMREST, BLACK STEEL / DARK STAINED OAK / DAKAR 0842	5.116,00
1165004-001H00ZZ	 CO DINING CHAIR W/ARMREST, BLACK STEEL / BLACK OAK / DAKAR 0842	5.116,00

TECHNICAL SPECIFICATIONS

COLLI	WEIGHT	TEST	CERTIFICATIONS
1	12,5 kg / 27,5 lb	EN1022:2005, L2 EN16139:2013, L2	Veneered variants: VKF classification (BKZ): 5.3 / RF2 Crafted from FSC certified veneer Declare.





CO DINING CHAIR W/ARMREST, SEAT UPHOLSTERED
Designed by *Norm Architects & Els Van Hoorebeeck*

[BACK TO START](#)

CORE

SPEC OPTIONS — PRICES IN SEK
6–8 weeks delivery time

SKU	VARIANT	EXCL. VAT
<i>Textile — Seat with upholstery — Black steel base</i>		
1165020	<i>Price Category 0</i> Audo Bouclé, Audo	3.916,00
1165001	<i>Price Category 1</i> Barnum Bouclé, Audo / Champion, JAB / Illusion, Nevotex / Hot Madison, JAB / Maple, Kvadrat / Remix 3, Kvadrat / Re-wool, Kvadrat	4.396,00
1165002	<i>Price Category 2</i> Canvas 2, Kvadrat / Clay, Kvadrat, Sahco / Colline 2, Kvadrat / Fiord 2, Kvadrat / Hallingdal 65, Kvadrat / Moss, Kvadrat, Sahco / Reflect, Kvadrat / Savanna, Kvadrat / Steelcut 2, Kvadrat / Steelcut Trio 3, Kvadrat	5.116,00
1165003	<i>Price Category 3</i> Arctic, JAB / Safire, Kvadrat, Sahco / Vidar 4, Kvadrat, Sahco / Zero, Kvadrat, Sahco	5.596,00
1165008	<i>Price Category 4</i> Cabanon Soft, Designers Guild / Doppioanama, Dedar / Grand Mohair, Danish Art Weaving / Lupo, Dedar	6.636,00
<i>Leather — Seat with upholstery — Black steel base</i>		
1165004	<i>Price Category 1</i> Dakar, Nevotex / Envy, Sørensens Leather / Ultra, Sørensens Leather	5.116,00
1165005	<i>Price Category 2</i> Dunes, Sørensens Leather / Nuance, Sørensens Leather	5.916,00
1165006	<i>Price Category 3</i> Royal Nubuck, Sørensens Leather	6.796,00
1165007	<i>Price Category 4</i> Elegance, Sørensens Leather	8.636,00

SPEC OPTIONS — PRICES IN SEK
6–8 weeks delivery time

SKU	VARIANT	EXCL. VAT
<i>Textile — Seat with upholstery — Chromed steel base</i>		
1176020	<i>Price Category 0</i> Audo Bouclé, Audo	4.396,00
1176001	<i>Price Category 1</i> Barnum Bouclé, Audo / Champion, JAB / Illusion, Nevotex / Hot Madison, JAB / Maple, Kvadrat / Remix 3, Kvadrat / Re-wool, Kvadrat	4.796,00
1176002	<i>Price Category 2</i> Canvas 2, Kvadrat / Clay, Kvadrat, Sahco / Colline 2, Kvadrat / Fiord 2, Kvadrat / Hallingdal 65, Kvadrat / Moss, Kvadrat, Sahco / Reflect, Kvadrat / Savanna, Kvadrat / Steelcut 2, Kvadrat / Steelcut Trio 3, Kvadrat	5.596,00
1176003	<i>Price Category 3</i> Arctic, JAB / Safire, Kvadrat, Sahco / Vidar 4, Kvadrat, Sahco / Zero, Kvadrat, Sahco	6.316,00
1176008	<i>Price Category 4</i> Cabanon Soft, Designers Guild / Doppioanama, Dedar / Grand Mohair, Danish Art Weaving / Lupo, Dedar	7.436,00
<i>Leather — Seat with upholstery — Chromed steel base</i>		
1176004	<i>Price Category 1</i> Dakar, Nevotex / Envy, Sørensens Leather / Ultra, Sørensens Leather	5.596,00
1176005	<i>Price Category 2</i> Dunes, Sørensens Leather / Nuance, Sørensens Leather	6.556,00
1176006	<i>Price Category 3</i> Royal Nubuck, Sørensens Leather	7.196,00
1176007	<i>Price Category 4</i> Elegance, Sørensens Leather	8.956,00



CORE

CO DINING CHAIR, FULLY UPHOLSTERED

Designed by *Norm Architects & Els Van Hoorebeeck*

[BACK TO START](#)

The Co Dining Chair Collection pairs a lightweight, sleek profile with great seating comfort. Available with or without armrests in three wood versions, the versatile design of the fully upholstered Co Dining Chair is set on a black powder coated steel or chrome base. The seat and backrest are lightly padded and fully upholstered for extra comfort, customisable in a range of beautiful fabrics and leathers.

PRODUCT OPTIONS

Seat and backrest



UPHOLSTERED

Steel base



BLACK POWDER COATED STEEL



CHROMED STEEL

Spec options

Available in fabrics from our upholstery programme. Standard lead times apply.

For custom upholstery, please refer to the guiding

textile/leather consumption:

COM: 0,74 m / 0,814 yds

COL: 1,21 m² / 13,0317 sqft

Prices excl. custom upholstery are equal to Price Category 1 Textile or Leather. Contact Sales support for approval of custom upholstery and to place your order.

The above textile consumption is only valid for textile rolls with a width equal to or greater than 140 cm. For smaller textile rolls, please contact Sales Support for guidance. For textile with pattern, please expect a higher usage for correct pattern fitting. Please contact Sales Support for guidance.

TECHNICAL SPECIFICATIONS

COLLI

1

WEIGHT

5,8 kg / 12,8 lb

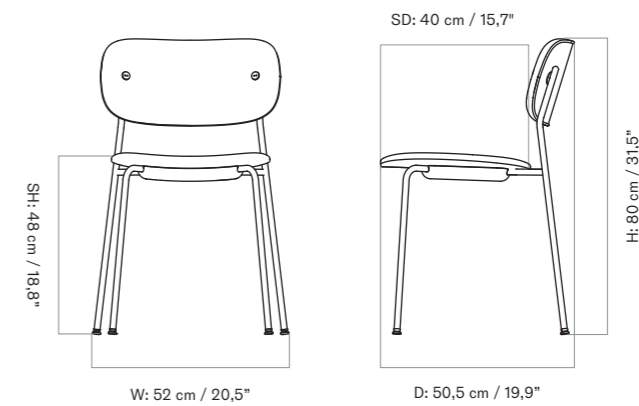
TEST

EN1022:2005, L2
EN16139:2013, L2

CERTIFICATIONS

Veneered variants:
VKF classification
(BKZ): 5.3 / RF2
Crafted from FSC certified
veneer

Declare.





CO DINING CHAIR, FULLY UPHOLSTERED
Designed by *Norm Architects & Els Van Hoorebeeck*

[BACK TO START](#)

CORE

SPEC OPTIONS — PRICES IN SEK
6–8 weeks delivery time

SKU	VARIANT	EXCL. VAT
<i>Textile — Seat with upholstery — Black steel base</i>		
1179020	<i>Price Category 0</i> Audo Bouclé, Audo	4.076,00
1179001	<i>Price Category 1</i> Barnum Bouclé, Audo / Champion, JAB / Illusion, Nevotex / Hot Madison, JAB / Maple, Kvadrat / Remix 3, Kvadrat / Re-wool, Kvadrat	4.716,00
1179002	<i>Price Category 2</i> Canvas 2, Kvadrat / Clay, Kvadrat, Sahco / Colline 2, Kvadrat / Fiord 2, Kvadrat / Hallingdal 65, Kvadrat / Moss, Kvadrat, Sahco / Reflect, Kvadrat / Savanna, Kvadrat / Steelcut 2, Kvadrat / Steelcut Trio 3, Kvadrat	5.596,00
1179003	<i>Price Category 3</i> Arctic, JAB / Safire, Kvadrat, Sahco / Vidar 4, Kvadrat, Sahco / Zero, Kvadrat, Sahco	6.316,00
1179008	<i>Price Category 4</i> Cabanon Soft, Designers Guild / Doppioanama, Dedar / Grand Mohair, Danish Art Weaving / Lupo, Dedar	7.196,00
<i>Leather — Seat with upholstery — Black steel base</i>		
1179004	<i>Price Category 1</i> Dakar, Nevotex / Envy, Sørensens Leather / Ultra, Sørensens Leather	5.596,00
1179005	<i>Price Category 2</i> Dunes, Sørensens Leather / Nuance, Sørensens Leather	6.636,00
1179006	<i>Price Category 3</i> Royal Nubuck, Sørensens Leather	7.516,00
1179007	<i>Price Category 4</i> Elegance, Sørensens Leather	9.276,00

SPEC OPTIONS — PRICES IN SEK
6–8 weeks delivery time

SKU	VARIANT	EXCL. VAT
<i>Textile — Seat with upholstery — Chromed steel base</i>		
1178020	<i>Price Category 0</i> Audo Bouclé, Audo	4.476,00
1178001	<i>Price Category 1</i> Barnum Bouclé, Audo / Champion, JAB / Illusion, Nevotex / Hot Madison, JAB / Maple, Kvadrat / Remix 3, Kvadrat / Re-wool, Kvadrat	5.116,00
1178002	<i>Price Category 2</i> Canvas 2, Kvadrat / Clay, Kvadrat, Sahco / Colline 2, Kvadrat / Fiord 2, Kvadrat / Hallingdal 65, Kvadrat / Moss, Kvadrat, Sahco / Reflect, Kvadrat / Savanna, Kvadrat / Steelcut 2, Kvadrat / Steelcut Trio 3, Kvadrat	5.996,00
1178003	<i>Price Category 3</i> Arctic, JAB / Safire, Kvadrat, Sahco / Vidar 4, Kvadrat, Sahco / Zero, Kvadrat, Sahco	6.796,00
1178008	<i>Price Category 4</i> Cabanon Soft, Designers Guild / Doppioanama, Dedar / Grand Mohair, Danish Art Weaving / Lupo, Dedar	7.996,00
<i>Leather — Seat with upholstery — Chromed steel base</i>		
1178004	<i>Price Category 1</i> Dakar, Nevotex / Envy, Sørensens Leather / Ultra, Sørensens Leather	5.996,00
1178005	<i>Price Category 2</i> Dunes, Sørensens Leather / Nuance, Sørensens Leather	7.196,00
1178006	<i>Price Category 3</i> Royal Nubuck, Sørensens Leather	8.076,00
1178007	<i>Price Category 4</i> Elegance, Sørensens Leather	10.156,00



CO DINING CHAIR W/ARMREST, FULLY UPHOLSTERED
Designed by *Norm Architects & Els Van Hoorebeeck*

[BACK TO START](#)

CORE

The Co Dining Chair Collection pairs a lightweight, sleek profile with great seating comfort. Available with or without armrests in three wood versions, the versatile design of the fully upholstered Co Dining Chair is set on a black powder coated steel or chrome base. The seat and backrest are lightly padded and fully upholstered for extra comfort, customisable in a range of beautiful fabrics and leathers.



PRODUCT OPTIONS

Seat and backrest



UPHOLSTERED

Steel base



BLACK POWDER COATED STEEL

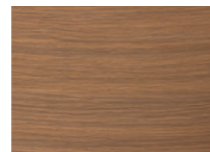


CHROMED STEEL

Armrest



NATURAL OAK



DARK STAINED OAK



BLACK OAK

Spec options

Available in fabrics from our upholstery programme. Standard lead times apply.

For custom upholstery, please refer to the guiding textile/leather consumption:
COM: 0,74 m / 0,814 yds
COL: 1,21 m² / 13,0317 sqft

Prices excl. custom upholstery are equal to Price Category 1 Textile or Leather. Contact Sales support for approval of custom upholstery and to place your order.

The above textile consumption is only valid for textile rolls with a width equal to or greater than 140 cm. For smaller textile rolls, please contact Sales Support for guidance. For textile with pattern, please expect a higher usage for correct pattern fitting. Please contact Sales Support for guidance.

TECHNICAL SPECIFICATIONS

COLLI

1

WEIGHT

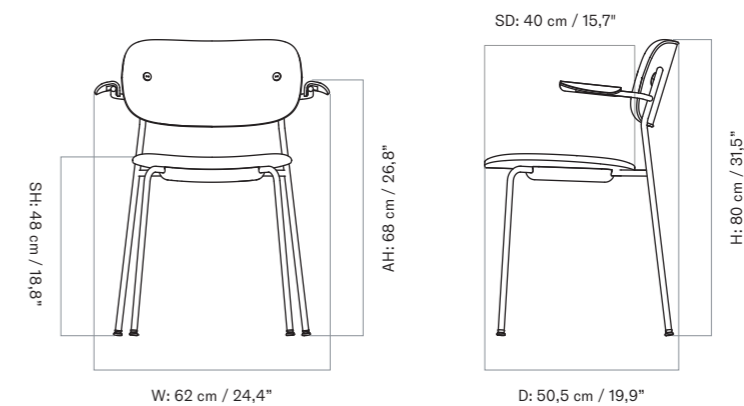
6,5 kg / 14,3 lb

TEST

EN1022:2005, L2
EN16139:2013, L2

CERTIFICATIONS

Crafted from FSC certified veneer





CO DINING CHAIR W/ARMREST, FULLY UPHOLSTERED
Designed by *Norm Architects & Els Van Hoorebeeck*

[BACK TO START](#)

CORE

SPEC OPTIONS — PRICES IN SEK
6–8 weeks delivery time

SKU	VARIANT	EXCL. VAT
<i>Textile — Seat with upholstery — Black steel base</i>		
1115020	<i>Price Category 0</i> Audo Bouclé, Audo	4.716,00
1115001	<i>Price Category 1</i> Barnum Bouclé, Audo / Champion, JAB / Illusion, Nevotex / Hot Madison, JAB / Maple, Kvadrat / Remix 3, Kvadrat / Re-wool, Kvadrat	5.356,00
1115002	<i>Price Category 2</i> Canvas 2, Kvadrat / Clay, Kvadrat, Sahco / Colline 2, Kvadrat / Fiord 2, Kvadrat / Hallingdal 65, Kvadrat / Moss, Kvadrat, Sahco / Reflect, Kvadrat / Savanna, Kvadrat / Steelcut 2, Kvadrat / Steelcut Trio 3, Kvadrat	6.476,00
1115003	<i>Price Category 3</i> Arctic, JAB / Safire, Kvadrat, Sahco / Vidar 4, Kvadrat, Sahco / Zero, Kvadrat, Sahco	7.196,00
1115008	<i>Price Category 4</i> Cabanon Soft, Designers Guild / Doppiopanama, Dedar / Grand Mohair, Danish Art Weaving / Lupo, Dedar	8.076,00
<i>Leather — Seat with upholstery — Black steel base</i>		
1115004	<i>Price Category 1</i> Dakar, Nevotex / Envy, Sørensens Leather / Ultra, Sørensens Leather	6.476,00
1115005	<i>Price Category 2</i> Dunes, Sørensens Leather / Nuance, Sørensens Leather	7.356,00
1115006	<i>Price Category 3</i> Royal Nubuck, Sørensens Leather	8.236,00
1115007	<i>Price Category 4</i> Elegance, Sørensens Leather	10.636,00

SPEC OPTIONS — PRICES IN SEK
6–8 weeks delivery time

SKU	VARIANT	EXCL. VAT
<i>Textile — Seat with upholstery — Chromed steel base</i>		
1110020	<i>Price Category 0</i> Audo Bouclé, Audo	5.116,00
1110001	<i>Price Category 1</i> Barnum Bouclé, Audo / Champion, JAB / Illusion, Nevotex / Hot Madison, JAB / Maple, Kvadrat / Remix 3, Kvadrat / Re-wool, Kvadrat	5.996,00
1110002	<i>Price Category 2</i> Canvas 2, Kvadrat / Clay, Kvadrat, Sahco / Colline 2, Kvadrat / Fiord 2, Kvadrat / Hallingdal 65, Kvadrat / Moss, Kvadrat, Sahco / Reflect, Kvadrat / Savanna, Kvadrat / Steelcut 2, Kvadrat / Steelcut Trio 3, Kvadrat	7.036,00
1110003	<i>Price Category 3</i> Arctic, JAB / Safire, Kvadrat, Sahco / Vidar 4, Kvadrat, Sahco / Zero, Kvadrat, Sahco	7.756,00
1110008	<i>Price Category 4</i> Cabanon Soft, Designers Guild / Doppiopanama, Dedar / Grand Mohair, Danish Art Weaving / Lupo, Dedar	9.196,00
<i>Leather — Seat with upholstery — Chromed steel base</i>		
1110004	<i>Price Category 1</i> Dakar, Nevotex / Envy, Sørensens Leather / Ultra, Sørensens Leather	7.036,00
1110005	<i>Price Category 2</i> Dunes, Sørensens Leather / Nuance, Sørensens Leather	7.916,00
1110006	<i>Price Category 3</i> Royal Nubuck, Sørensens Leather	8.956,00
1110007	<i>Price Category 4</i> Elegance, Sørensens Leather	11.036,00

CO / READY CHAIR TROLLEY
Designed by *Norm Architects*

CO DINING CHAIR ROW CONNECTION
Designed by *Norm Architects*

[BACK TO START](#)

CORE

Efficiently transporting and storing between 15 to 20 Co or Ready Dining Chairs, this durable powder-coated steel trolley is fitted with swivel casters that rotate 360 degrees for ease of use and direction of movement. Use the break to lock the wheels securely when storing chairs statically.



STOCK OPTIONS — PRICES IN SEK

SKU	VARIANT	EXCL. VAT
1175539	CO / READY CHAIR, TROLLEY (NEW)	6.796,00

TECHNICAL SPECIFICATIONS

COLLI	WEIGHT	TEST	CERTIFICATIONS
1	13,2 kg / 29,1 lb	N / A	N / A

CORE

Row Connection allows you to join individual Co Dining Chairs together in a line, making it ideal for use in conference facilities. It is available in two different lengths that correspond to the Co Dining Chair versions with and without armrests. The bracket is easily attached and removed and can be turned to the side when not in use. The Co Dining Chair can be stacked with and without the Row Connection.



STOCK OPTIONS — PRICES IN SEK

SKU	VARIANT	EXCL. VAT
1160100	ROW CONNECTION FOR CO DINING CHAIR	308,00
1165100	ROW CONNECTION FOR CO DINING CHAIR W/ARMREST	308,00

TECHNICAL SPECIFICATIONS

COLLI	WEIGHT	TEST	CERTIFICATIONS
1	Row Connection, Co Dining Chair: 120 g / 0,3 lb Row Connection, Co Dining Chair w/Armrest: 163 g / 0,4 lb	N / A	N / A

HARBOUR DINING CHAIR

HARBOUR SIDE DINING CHAIR



Steel Base, Plastic



Steel Base, Plastic



Steel Base, Upholstered



Steel Base, Upholstered



Oak Base, Plastic



Oak Base, Plastic



Oak Base, Upholstered



Oak Base, Upholstered



Star Base w/Swivel, Plastic



Star Base w/Swivel, Plastic



Star Base w/Swivel,
Upholstered



Star Base w/Swivel,
Upholstered



Star Base, Swivel w/Return,
Plastic



Star Base, Swivel w/Return,
Plastic



Star Base, Swivel w/Return,
Upholstered



Star Base, Swivel w/Return,
Upholstered



Star Base, w/Casters, Plastic



Star Base, w/Casters, Plastic



Star Base, w/Casters,
Upholstered



Star Base, w/Casters,
Upholstered





CORE

HARBOUR DINING CHAIR, STEEL BASE, PLASTIC

Designed by *Norm Architects*

[BACK TO START](#)

Dining chair with bare shell set on a powder coated steel base.

PRODUCT OPTIONS

Plastic shell



BLACK

BURNED RED

KHAKI



LIGHT GREY



OLIVE



WHITE

Powder coated steel base



BLACK STEEL



TECHNICAL SPECIFICATIONS

COLLI

1

WEIGHT

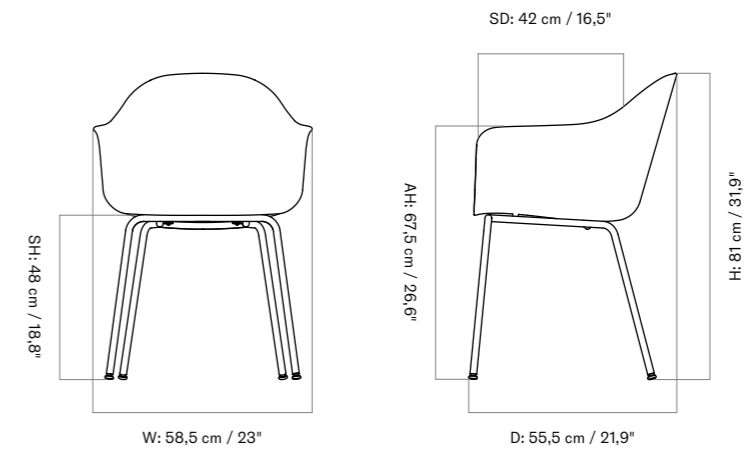
13 kg / 28,7 lb

TEST

EN1022:2005, L2
EN16139:2013, L2
ANSI: BIFMA X5.4

CERTIFICATIONS

Declare.





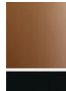

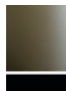



HARBOUR DINING CHAIR, STEEL BASE, PLASTIC
Designed by *Norm Architects*

[BACK TO START](#)

CORE

QUICK SHIP OPTIONS — PRICES IN SEK
Selected combinations up to 4 weeks delivery time.

SKU	VARIANT	EXCL. VAT
9340539-0000ZZZZ	 HARBOUR DINING CHAIR, BLACK STEEL / BLACK	2.956,00
9340539-0001ZZZZ	 HARBOUR DINING CHAIR, BLACK STEEL / BURNED RED	2.956,00
9340539-0002ZZZZ	 HARBOUR DINING CHAIR, BLACK STEEL / KHAKI	2.956,00
9340539-0003ZZZZ	 HARBOUR DINING CHAIR, BLACK STEEL / LIGHT GREY	2.956,00
9340539-0004ZZZZ	 HARBOUR DINING CHAIR, BLACK STEEL / OLIVE	2.956,00
9340539-0005ZZZZ	 HARBOUR DINING CHAIR, BLACK STEEL / WHITE	2.956,00



HARBOUR DINING CHAIR, material *steel base / black*, designer *Norm Architects*



CORE

HARBOUR DINING CHAIR, STEEL BASE, UPHOLSTERED

Designed by *Norm Architects*

[BACK TO START](#)

Dining chair with upholstered shell set on a powder coated steel base. All Harbour chairs have been upgraded with extra foam in the seat for better sitting comfort, increasing from 15 mm in thickness to 25 mm.

PRODUCT OPTIONS

Shell



WITH UPHOLSTERY

Powder coated steel base



BLACK STEEL

Spec options

Available in fabrics from our upholstery programme. Standard lead times apply.

For custom upholstery, please refer to the guiding textile/leather consumption:

COM: 1,7 m / 1,87 yds

COL: 3 m² / 32,31 sqft

Prices excl. custom upholstery are equal to Price Category 1 Textile or Leather. Contact Sales support for approval of custom upholstery and to place your order.

The above textile consumption is only valid for textile rolls with a width equal to or greater than 140 cm. For smaller textile rolls, please contact Sales Support for guidance. For textile with pattern, please expect a higher usage for correct pattern fitting. Please contact Sales Support for guidance.

TECHNICAL SPECIFICATIONS

COLLI

1

WEIGHT

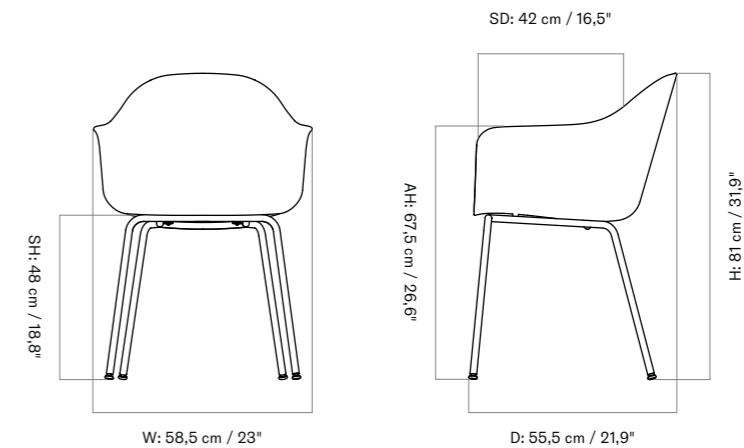
13 kg / 28,7 lb

TEST

EN1022:2005, L2
EN16139:2013, L2
ANSI: BIFMA X5.4

CERTIFICATIONS

Declare.





HARBOUR DINING CHAIR, STEEL BASE, UPHOLSTERED
Designed by *Norm Architects*

[BACK TO START](#)

CORE

SPEC OPTIONS — PRICES IN SEK
6–8 weeks delivery time

SKU	VARIANT	EXCL. VAT
<i>Textile — Shell with upholstery</i>		
9341020	<i>Price Category 0</i> Audo Bouclé, Audo	5.036,00
9341001	<i>Price Category 1</i> Barnum Bouclé, Audo / Champion, JAB / Illusion, Nevotex / Hot Madison, JAB / Maple, Kvadrat / Remix 3, Kvadrat / Re-wool, Kvadrat	5.836,00
9341002	<i>Price Category 2</i> Canvas 2, Kvadrat / Clay, Kvadrat, Sahco / Colline 2, Kvadrat / Fiord 2, Kvadrat / Hallingdal 65, Kvadrat / Moss, Kvadrat, Sahco / Reflect, Kvadrat / Savanna, Kvadrat / Steelcut 2, Kvadrat / Steelcut Trio 3, Kvadrat	7.436,00
9341003	<i>Price Category 3</i> Arctic, JAB / Safire, Kvadrat, Sahco / Vidar 4, Kvadrat, Sahco / Zero, Kvadrat, Sahco	9.436,00
9341008	<i>Price Category 4</i> Doppiopanama, Dedar / Grand Mohair, Danish Art Weaving / Lupo, Dedar	9.756,00
<i>Leather — Shell with upholstery</i>		
9341004	<i>Price Category 1</i> Dakar, Nevotex / Ultra, Sørensen Leather	9.116,00
9341005	<i>Price Category 2</i> Dunes, Sørensen Leather / Nuance, Sørensen Leather	10.316,00
9341006	<i>Price Category 3</i> Royal Nubuck, Sørensen Leather	12.476,00
9341007	<i>Price Category 4</i> Elegance, Sørensen Leather	17.116,00



CORE

HARBOUR DINING CHAIR, OAK BASE, PLASTIC

Designed by *Norm Architects*

[BACK TO START](#)

Dining chair with bare shell set on a solid oak base.

PRODUCT OPTIONS

Plastic shell



BLACK

BURNED RED

KHAKI



LIGHT GREY



OLIVE



WHITE

Solid oak base



NATURAL OAK

DARK STAINED OAK

BLACK OAK



TECHNICAL SPECIFICATIONS

COLLI

1

WEIGHT

13 kg / 28,7 lb

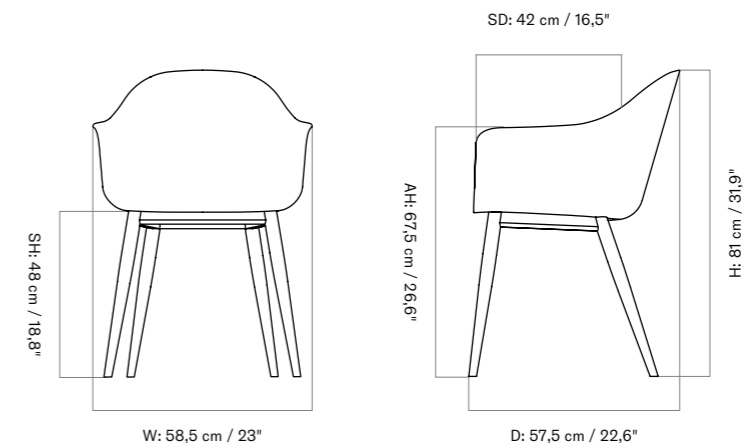
TEST

EN1022:2005, L2
EN16139:2013, L2
ANSI: BIFMA X5.4

CERTIFICATIONS

Crafted from FSC certified oak

Declare.



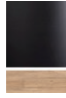
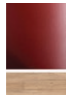






HARBOUR DINING CHAIR, OAK BASE, PLASTIC
Designed by *Norm Architects*

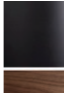



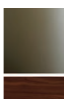

[BACK TO START](#)

CORE

QUICK SHIP OPTIONS — PRICES IN SEK
Selected combinations up to 4 weeks delivery time.

SKU	VARIANT	EXCL. VAT
<i>Plastic shell — Natural oak base</i>		
9350639-0200ZZZZ	 HARBOUR DINING CHAIR, NATURAL OAK / BLACK	3.756,00
9350639-0201ZZZZ	 HARBOUR DINING CHAIR, NATURAL OAK / BURNED RED	3.756,00
9350639-0202ZZZZ	 HARBOUR DINING CHAIR, NATURAL OAK / KHAKI	3.756,00
9350639-0203ZZZZ	 HARBOUR DINING CHAIR, NATURAL OAK / LIGHT GREY	3.756,00
9350639-0204ZZZZ	 HARBOUR DINING CHAIR, NATURAL OAK / OLIVE	3.756,00
9350639-0205ZZZZ	 HARBOUR DINING CHAIR, NATURAL OAK / WHITE	3.756,00

QUICK SHIP OPTIONS — PRICES IN SEK
Selected combinations up to 4 weeks delivery time.

SKU	VARIANT	EXCL. VAT
<i>Plastic Shell — Dark stained oak base</i>		
9350639-0100ZZZZ	 HARBOUR DINING CHAIR, DARK STAINED OAK / BLACK	3.756,00
9350639-0101ZZZZ	 HARBOUR DINING CHAIR, DARK STAINED OAK / BURNED RED	3.756,00
9350639-0102ZZZZ	 HARBOUR DINING CHAIR, DARK STAINED OAK / KHAKI	3.756,00
9350639-0103ZZZZ	 HARBOUR DINING CHAIR, DARK STAINED OAK / LIGHT GREY	3.756,00
9350639-0104ZZZZ	 HARBOUR DINING CHAIR, DARK STAINED OAK / OLIVE	3.756,00
9350639-0105ZZZZ	 HARBOUR DINING CHAIR, DARK STAINED OAK / WHITE	3.756,00



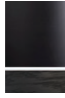



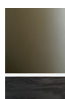

HARBOUR DINING CHAIR, OAK BASE, PLASTIC

Designed by *Norm Architects*

[BACK TO START](#)

CORE

QUICK SHIP OPTIONS — PRICES IN SEK
Selected combinations up to 4 weeks delivery time.

SKU	VARIANT	EXCL. VAT
<i>Plastic shell — Black oak base</i>		
9350639-0000ZZZZ	 HARBOUR DINING CHAIR, BLACK OAK / BLACK	3.756,00
9350639-0001ZZZZ	 HARBOUR DINING CHAIR, BLACK OAK / BURNED RED	3.756,00
9350639-0002ZZZZ	 HARBOUR DINING CHAIR, BLACK OAK / KHAKI	3.756,00
9350639-0003ZZZZ	 HARBOUR DINING CHAIR, BLACK OAK / LIGHT GREY	3.756,00
9350639-0004ZZZZ	 HARBOUR DINING CHAIR, BLACK OAK / OLIVE	3.756,00
9350639-0005ZZZZ	 HARBOUR DINING CHAIR, BLACK OAK / WHITE	3.756,00



CORE

HARBOUR DINING CHAIR, OAK BASE, UPHOLSTERED

Designed by *Norm Architects*

[BACK TO START](#)

Dining chair with upholstered shell set on a solid oak base. All Harbour chairs have been upgraded with extra foam in the seat for better sitting comfort, increasing from 15 mm in thickness to 25 mm.

PRODUCT OPTIONS

Shell



WITH UPHOLSTERY

Solid oak base



NATURAL OAK



DARK STAINED OAK



BLACK OAK

Spec options

Available in fabrics from our upholstery programme. Standard lead times apply.

For custom upholstery, please refer to the guiding

textile/leather consumption:

COM: 1,7 m / 1,87 yds

COL: 3 m² / 32,31 sqft

Prices excl. custom upholstery are equal to Price Category 1 Textile or Leather. Contact Sales support for approval of custom upholstery and to place your order.

The above textile consumption is only valid for textile rolls with a width equal to or greater than 140 cm. For smaller textile rolls, please contact Sales Support for guidance. For textile with pattern, please expect a higher usage for correct pattern fitting. Please contact Sales Support for guidance.

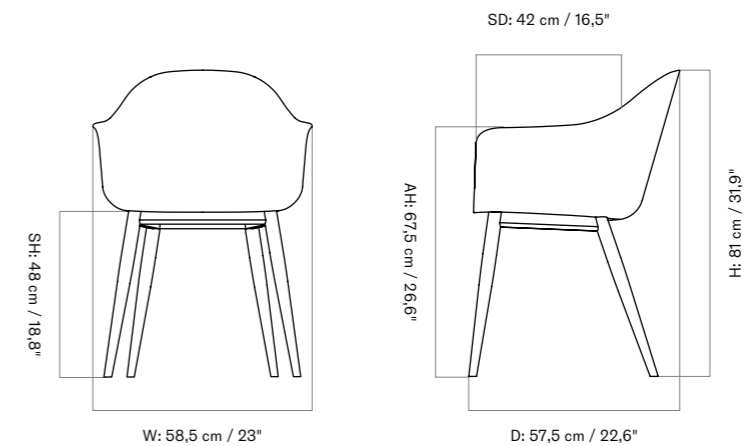
QUICK SHIP OPTIONS — PRICES IN SEK

Selected combinations up to 4 weeks delivery time.

SKU	VARIANT	EXCL. VAT
<i>Shell with upholstery — Natural oak / Dark stained oak base</i>		
9352001-011X0CZZ	 HARBOUR DINING CHAIR, DARK STAINED OAK / REMIX 3 233	6.476,00
9352004-022U05ZZ	 HARBOUR DINING CHAIR, NATURAL OAK / DAKAR 0250	9.756,00

TECHNICAL SPECIFICATIONS

COLLI	WEIGHT	TEST	CERTIFICATIONS
1	12 kg / 26,5 lb	EN1022:2005, L2 EN16139:2013, L2	Crafted from FSC certified oak Declare.





HARBOUR DINING CHAIR, OAK BASE, UPHOLSTERED
Designed by *Norm Architects*

[BACK TO START](#)

CORE

SPEC OPTIONS — PRICES IN SEK
6–8 weeks delivery time

SKU	VARIANT	EXCL. VAT
<i>Textile — Shell with upholstery</i>		
9352020	<i>Price Category 0</i> Audo Bouclé, Audo	5.436,00
9352001	<i>Price Category 1</i> Barnum Bouclé, Audo / Champion, JAB / Illusion, Nevotex / Hot Madison, JAB / Maple, Kvadrat / Remix 3, Kvadrat / Re-wool, Kvadrat	6.476,00
9352002	<i>Price Category 2</i> Canvas 2, Kvadrat / Clay, Kvadrat, Sahco / Colline 2, Kvadrat / Fiord 2, Kvadrat / Hallingdal 65, Kvadrat / Moss, Kvadrat, Sahco / Reflect, Kvadrat / Savanna, Kvadrat / Steelcut 2, Kvadrat / Steelcut Trio 3, Kvadrat	8.316,00
9352003	<i>Price Category 3</i> Arctic, JAB / Safire, Kvadrat, Sahco / Vidar 4, Kvadrat, Sahco / Zero, Kvadrat, Sahco	9.996,00
9352008	<i>Price Category 4</i> Doppiopanama, Dedar / Grand Mohair, Danish Art Weaving / Lupo, Dedar	10.636,00
<i>Leather — Shell with upholstery</i>		
9352004	<i>Price Category 1</i> Dakar, Nevotex / Ultra, Sørensen Leather	9.756,00
9352005	<i>Price Category 2</i> Dunes, Sørensen Leather / Nuance, Sørensen Leather	11.036,00
9352006	<i>Price Category 3</i> Royal Nubuck, Sørensen Leather	13.436,00
9352007	<i>Price Category 4</i> Elegance, Sørensen Leather	18.476,00

HARBOUR DINING CHAIR, OAK BASE, UPHOLSTERED, material *dark stained oak / Bouclé 02*, designer *Norm Architects*
STRANDGADE STEM VASE, designer *Mentze Ottenstein*
STRANDGADE DRINKING GLASS, designer *Mentze Ottenstein*
ETRUSCAN PITCHER, designer *Mentze Ottenstein*
TRIPTYCH BOWLS, designer *Mentze Ottenstein*
BALCONY SERVING TRAY, designer *Krøyer-Sætter-Lassen*



CORE

HARBOUR DINING CHAIR, STAR BASE W/SWIVEL, PLASTIC

Designed by *Norm Architects*

[BACK TO START](#)

Dining chair with bare shell set on a polished aluminium or black powder coated aluminium star base with swivel.

PRODUCT OPTIONS

Plastic shell



BLACK

BURNED RED

KHAKI



LIGHT GREY



OLIVE



WHITE

Star base



BLACK POWDER
COATED ALUMINIUM



POLISHED ALUMINIUM

TECHNICAL SPECIFICATIONS

COLLI

1

WEIGHT

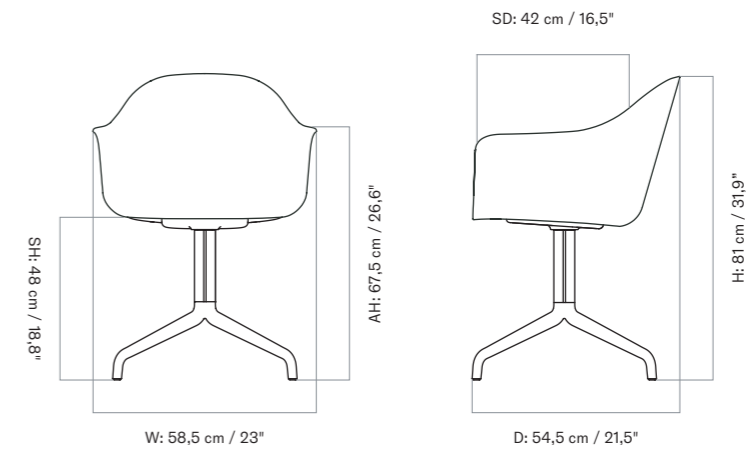
13 kg / 28,7 lb

TEST

EN1022:2005, L2
EN16139:2013, L2

CERTIFICATIONS

Declare.









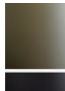

CORE





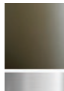

HARBOUR DINING CHAIR, STAR BASE W/SWIVEL, PLASTIC Designed by *Norm Architects*

[BACK TO START](#)

QUICK SHIP OPTIONS — PRICES IN SEK
Selected combinations up to 4 weeks delivery time.

QUICK SHIP OPTIONS — PRICES IN SEK
Selected combinations up to 4 weeks delivery time.

SKU	VARIANT	EXCL. VAT
<i>Plastic shell — Black aluminium</i>		
9370000-0000ZZZZ	 HARBOUR DINING CHAIR, STAR BASE W/SWIVEL, BLACK ALUMINIUM / BLACK	6.156,00
9370000-0001ZZZZ	 HARBOUR DINING CHAIR, STAR BASE W/SWIVEL, BLACK ALUMINIUM / BURNED RED	6.156,00
9370000-0002ZZZZ	 HARBOUR DINING CHAIR, STAR BASE W/SWIVEL, BLACK ALUMINIUM / KHAKI	6.156,00
9370000-0003ZZZZ	 HARBOUR DINING CHAIR, STAR BASE W/SWIVEL, BLACK ALUMINIUM / LIGHT GREY	6.156,00
9370000-0004ZZZZ	 HARBOUR DINING CHAIR, STAR BASE W/SWIVEL, BLACK ALUMINIUM / OLIVE	6.156,00
9370000-0005ZZZZ	 HARBOUR DINING CHAIR, STAR BASE W/SWIVEL, BLACK ALUMINIUM / WHITE	6.156,00

SKU	VARIANT	EXCL. VAT
<i>Plastic Shell — Polished aluminium</i>		
9370000-0200ZZZZ	 HARBOUR DINING CHAIR, STAR BASE W/SWIVEL, POLISHED ALUMINIUM / BLACK	6.156,00
9370000-0201ZZZZ	 HARBOUR DINING CHAIR, STAR BASE W/SWIVEL, POLISHED ALUMINIUM / BURNED RED	6.156,00
9370000-0202ZZZZ	 HARBOUR DINING CHAIR, STAR BASE W/SWIVEL, POLISHED ALUMINIUM / KHAKI	6.156,00
9370000-0203ZZZZ	 HARBOUR DINING CHAIR, STAR BASE W/SWIVEL, POLISHED ALUMINIUM / LIGHT GREY	6.156,00
9370000-0204ZZZZ	 HARBOUR DINING CHAIR, STAR BASE W/SWIVEL, POLISHED ALUMINIUM / OLIVE	6.156,00
9370000-0205ZZZZ	 HARBOUR DINING CHAIR, STAR BASE W/SWIVEL, POLISHED ALUMINIUM / WHITE	6.156,00



CORE

HARBOUR DINING CHAIR, STAR BASE W/SWIVEL, UPHOLSTERED

Designed by *Norm Architects*

[BACK TO START](#)

Dining chair with upholstered shell set on a polished aluminium or black powder coated aluminium star base with swivel. All Harbour chairs have been upgraded with extra foam in the seat for better sitting comfort, increasing from 15 mm in thickness to 25 mm.

PRODUCT OPTIONS

Shell



WITH UPHOLSTERY

Star base



BLACK POWDER
COATED ALUMINIUM



POLISHED ALUMINIUM

Spec options

Available in fabrics from our upholstery programme. Standard lead times apply.

For custom upholstery, please refer to the guiding textile/leather consumption:
COM: 1,7 m / 1,87 yds
COL: 3 m² / 32,31 sqft

Prices excl. custom upholstery are equal to Price Category 1 Textile or Leather. Contact Sales support for approval of custom upholstery and to place your order.

The above textile consumption is only valid for textile rolls with a width equal to or greater than 140 cm. For smaller textile rolls, please contact Sales Support for guidance. For textile with pattern, please expect a higher usage for correct pattern fitting. Please contact Sales Support for guidance.

TECHNICAL SPECIFICATIONS

COLLI

1

WEIGHT

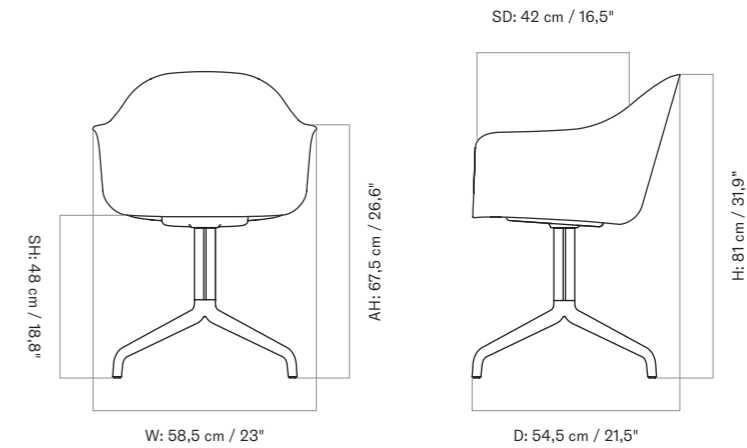
13 kg / 28,7 lb

TEST

EN1022:2005, L2
EN16139:2013, L2

CERTIFICATIONS

Declare.





HARBOUR DINING CHAIR, STAR BASE W/SWIVEL, UPHOLSTERED
Designed by *Norm Architects*

[BACK TO START](#)

CORE

SPEC OPTIONS — PRICES IN SEK
6–8 weeks delivery time

SKU	VARIANT	EXCL. VAT
<i>Textile — Shell with upholstery</i>		
9371020	<i>Price Category 0</i> Audo Bouclé, Audo	7.116,00
9371001	<i>Price Category 1</i> Barnum Bouclé, Audo / Champion, JAB / Illusion, Nevotex / Hot Madison, JAB / Maple, Kvadrat / Remix 3, Kvadrat / Re-wool, Kvadrat	8.076,00
9371002	<i>Price Category 2</i> Canvas 2, Kvadrat / Clay, Kvadrat, Sahco / Colline 2, Kvadrat / Fiord 2, Kvadrat / Hallingdal 65, Kvadrat / Moss, Kvadrat, Sahco / Reflect, Kvadrat / Savanna, Kvadrat / Steelcut 2, Kvadrat / Steelcut Trio 3, Kvadrat	10.396,00
9371003	<i>Price Category 3</i> Arctic, JAB / Safire, Kvadrat, Sahco / Vidar 4, Kvadrat, Sahco / Zero, Kvadrat, Sahco	12.716,00
9371008	<i>Price Category 4</i> Doppiopanama, Dedar / Grand Mohair, Danish Art Weaving / Lupo, Dedar	13.676,00
<i>Leather — Shell with upholstery</i>		
9371004	<i>Price Category 1</i> Dakar, Nevotex / Ultra, Sørensen Leather	12.396,00
9371005	<i>Price Category 2</i> Dunes, Sørensen Leather / Nuance, Sørensen Leather	14.316,00
9371006	<i>Price Category 3</i> Royal Nubuck, Sørensen Leather	17.276,00
9371007	<i>Price Category 4</i> Elegance, Sørensen Leather	23.756,00



CORE

HARBOUR DINING CHAIR, STAR BASE, SWIVEL W/RETURN, PLASTIC

Designed by *Norm Architects*

[BACK TO START](#)

Dining chair with bare shell set on a polished aluminium or black powder coated aluminium star base with return swivel.

PRODUCT OPTIONS

Plastic shell



BLACK

BURNED RED

KHAKI



LIGHT GREY



OLIVE



WHITE

Star base



BLACK POWDER
COATED ALUMINIUM



POLISHED ALUMINIUM



TECHNICAL SPECIFICATIONS

COLLI

1

WEIGHT

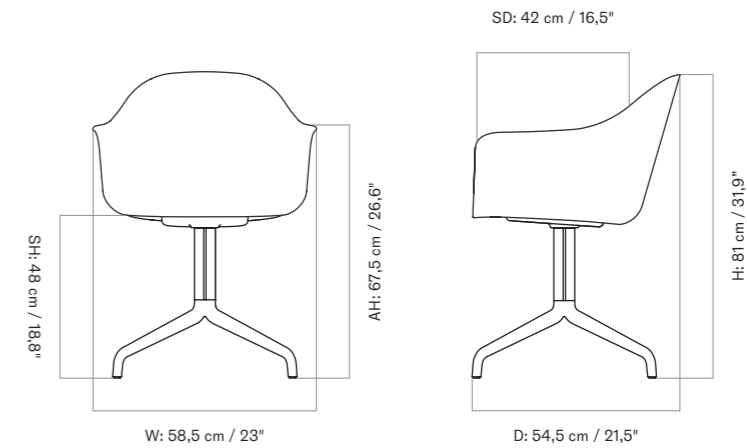
13 kg / 28,7 lb

TEST

EN1022:2005, L2
EN16139:2013, L2

CERTIFICATIONS

Declare.









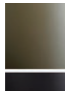

CORE





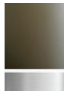

HARBOUR DINING CHAIR, STAR BASE, SWIVEL W/RETURN, PLASTIC Designed by *Norm Architects*

[BACK TO START](#)

QUICK SHIP OPTIONS — PRICES IN SEK
Selected combinations up to 4 weeks delivery time.

QUICK SHIP OPTIONS — PRICES IN SEK
Selected combinations up to 4 weeks delivery time.

SKU	VARIANT	EXCL. VAT
<i>Plastic Shell — Black aluminium</i>		
9380000-0000ZZZZ	 HARBOUR DINING CHAIR, STAR BASE, SWIVEL W/RETURN, BLACK ALUMINIUM / BLACK	6.556,00
9380000-0001ZZZZ	 HARBOUR DINING CHAIR, STAR BASE, SWIVEL W/RETURN, BLACK ALUMINIUM / BURNED RED	6.556,00
9380000-0002ZZZZ	 HARBOUR DINING CHAIR, STAR BASE, SWIVEL W/RETURN, BLACK ALUMINIUM / KHAKI	6.556,00
9380000-0003ZZZZ	 HARBOUR DINING CHAIR, STAR BASE, SWIVEL W/RETURN, BLACK ALUMINIUM / LIGHT GREY	6.556,00
9380000-0004ZZZZ	 HARBOUR DINING CHAIR, STAR BASE, SWIVEL W/RETURN, BLACK ALUMINIUM / OLIVE	6.556,00
9380000-0005ZZZZ	 HARBOUR DINING CHAIR, STAR BASE, SWIVEL W/RETURN, BLACK ALUMINIUM / WHITE	6.556,00

SKU	VARIANT	EXCL. VAT
<i>Plastic Shell — Polished aluminium</i>		
9380000-0200ZZZZ	 HARBOUR DINING CHAIR, STAR BASE, SWIVEL W/RETURN, POLISHED ALUMINIUM / BLACK	6.556,00
9380000-0201ZZZZ	 HARBOUR DINING CHAIR, STAR BASE, SWIVEL W/RETURN, POLISHED ALUMINIUM / BURNED RED	6.556,00
9380000-0202ZZZZ	 HARBOUR DINING CHAIR, STAR BASE, SWIVEL W/RETURN, POLISHED ALUMINIUM / KHAKI	6.556,00
9380000-0203ZZZZ	 HARBOUR DINING CHAIR, STAR BASE, SWIVEL W/RETURN, POLISHED ALUMINIUM / LIGHT GREY	6.556,00
9380000-0204ZZZZ	 HARBOUR DINING CHAIR, STAR BASE, SWIVEL W/RETURN, POLISHED ALUMINIUM / OLIVE	6.556,00
9380000-0205ZZZZ	 HARBOUR DINING CHAIR, STAR BASE, SWIVEL W/RETURN, POLISHED ALUMINIUM / WHITE	6.556,00



CORE

HARBOUR DINING CHAIR, STAR BASE, SWIVEL W/RETURN, UPHOLSTERED

Designed by *Norm Architects*

[BACK TO START](#)

Dining chair with upholstered set on a polished aluminium or black powder coated aluminium star base with return swivel. All Harbour chairs have been upgraded with extra foam in the seat for better sitting comfort, increasing from 15 mm in thickness to 25 mm.

PRODUCT OPTIONS

Shell



WITH UPHOLSTERY

Star base



BLACK POWDER COATED ALUMINIUM



POLISHED ALUMINIUM

Spec options

Available in fabrics from our upholstery programme. Standard lead times apply.

For custom upholstery, please refer to the guiding textile/leather consumption:
COM: 1,7 m / 1,87 yds
COL: 3 m² / 32,31 sqft

Prices excl. custom upholstery are equal to Price Category 1 Textile or Leather. Contact Sales support for approval of custom upholstery and to place your order.

The above textile consumption is only valid for textile rolls with a width equal to or greater than 140 cm. For smaller textile rolls, please contact Sales Support for guidance. For textile with pattern, please expect a higher usage for correct pattern fitting. Please contact Sales Support for guidance.

TECHNICAL SPECIFICATIONS

COLLI

1

WEIGHT

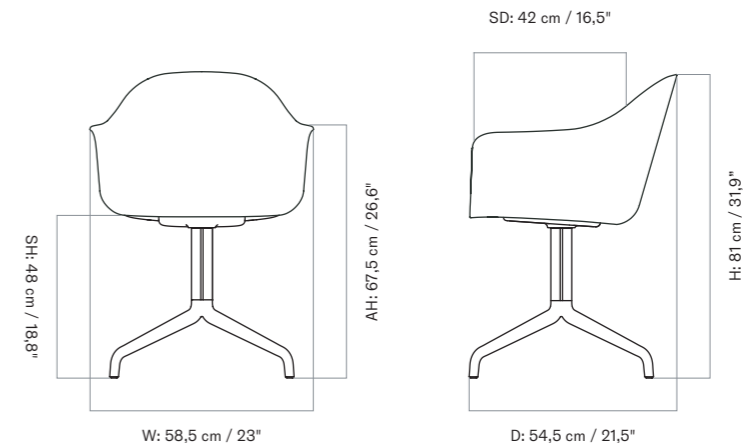
13 kg / 28,7 lb

TEST

EN1022:2005, L2
EN16139:2013, L2

CERTIFICATIONS

Declare.





HARBOUR DINING CHAIR, STAR BASE, SWIVEL W/RETURN, UPHOLSTERED
Designed by *Norm Architects*

[BACK TO START](#)

CORE

SPEC OPTIONS — PRICES IN SEK
6–8 weeks delivery time

SKU	VARIANT	EXCL. VAT
<i>Textile — Shell with upholstery</i>		
9381020	<i>Price Category 0</i> Audo Bouclé, Audo	7.436,00
9381001	<i>Price Category 1</i> Barnum Bouclé, Audo / Champion, JAB / Illusion, Nevotex / Hot Madison, JAB / Maple, Kvadrat / Remix 3, Kvadrat / Re-wool, Kvadrat	8.636,00
9381002	<i>Price Category 2</i> Canvas 2, Kvadrat / Clay, Kvadrat, Sahco / Colline 2, Kvadrat / Fiord 2, Kvadrat / Hallingdal 65, Kvadrat / Moss, Kvadrat, Sahco / Reflect, Kvadrat / Savanna, Kvadrat / Steelcut 2, Kvadrat / Steelcut Trio 3, Kvadrat	11.036,00
9381003	<i>Price Category 3</i> Arctic, JAB / Safire, Kvadrat, Sahco / Vidar 4, Kvadrat, Sahco / Zero, Kvadrat, Sahco	13.436,00
9381008	<i>Price Category 4</i> Doppiopanama, Dedar / Grand Mohair, Danish Art Weaving / Lupo, Dedar	14.316,00
<i>Leather — Shell with upholstery</i>		
9381004	<i>Price Category 1</i> Dakar, Nevotex / Ultra, Sørensen Leather	13.036,00
9381005	<i>Price Category 2</i> Dunes, Sørensen Leather / Nuance, Sørensen Leather	15.036,00
9381006	<i>Price Category 3</i> Royal Nubuck, Sørensen Leather	18.316,00
9381007	<i>Price Category 4</i> Elegance, Sørensen Leather	25.196,00



CORE

HARBOUR DINING CHAIR, STAR BASE, W/CASTERS, PLASTIC

Designed by *Norm Architects*

[BACK TO START](#)

Dining chair with bare shell set on a polished aluminium or black powder coated aluminium star base with casters.

PRODUCT OPTIONS

Plastic shell



BLACK

BURNED RED

KHAKI



LIGHT GREY

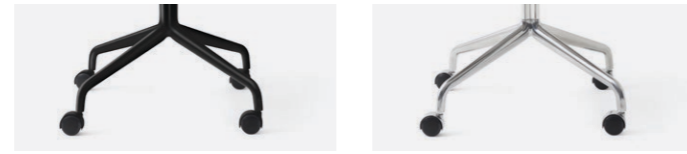


OLIVE



WHITE

Star base with casters



BLACK POWDER
COATED ALUMINIUM

POLISHED ALUMINIUM

TECHNICAL SPECIFICATIONS

COLLI

1

WEIGHT

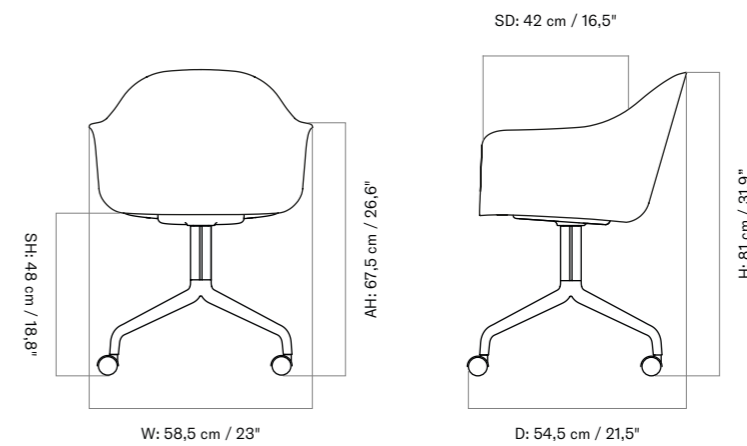
14 kg / 30,9 lb

TEST

N / A

CERTIFICATIONS

Declare.









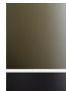

HARBOUR DINING CHAIR, STAR BASE, W/CASTERS, PLASTIC
Designed by *Norm Architects*





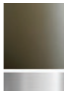

[BACK TO START](#)

CORE

QUICK SHIP OPTIONS — PRICES IN SEK
Selected combinations up to 4 weeks delivery time.

QUICK SHIP OPTIONS — PRICES IN SEK
Selected combinations up to 4 weeks delivery time.

SKU	VARIANT	EXCL. VAT
<i>Plastic Shell — Black aluminium</i>		
9391000-0000ZZZZ	 HARBOUR DINING CHAIR, SWIVEL BASE W/CASTERS, BLACK ALUMINIUM / BLACK	6.556,00
9391000-0001ZZZZ	 HARBOUR DINING CHAIR, SWIVEL BASE W/CASTERS, BLACK ALUMINIUM / BURNED RED	6.556,00
9391000-0002ZZZZ	 HARBOUR DINING CHAIR, SWIVEL BASE W/CASTERS, BLACK ALUMINIUM / KHAKI	6.556,00
9391000-0003ZZZZ	 HARBOUR DINING CHAIR, SWIVEL BASE W/CASTERS, BLACK ALUMINIUM / LIGHT GREY	6.556,00
9391000-0004ZZZZ	 HARBOUR DINING CHAIR, SWIVEL BASE W/CASTERS, BLACK ALUMINIUM / OLIVE	6.556,00
9391000-0005ZZZZ	 HARBOUR DINING CHAIR, SWIVEL BASE W/CASTERS, BLACK ALUMINIUM / WHITE	6.556,00

SKU	VARIANT	EXCL. VAT
<i>Plastic Shell — Polished aluminium</i>		
9391000-0200ZZZZ	 HARBOUR DINING CHAIR, SWIVEL BASE W/CASTERS, POLISHED ALUMINIUM / BLACK	6.556,00
9391000-0201ZZZZ	 HARBOUR DINING CHAIR, SWIVEL BASE W/CASTERS, POLISHED ALUMINIUM / BURNED RED	6.556,00
9391000-0202ZZZZ	 HARBOUR DINING CHAIR, SWIVEL BASE W/CASTERS, POLISHED ALUMINIUM / KHAKI	6.556,00
9391000-0203ZZZZ	 HARBOUR DINING CHAIR, SWIVEL BASE W/CASTERS, POLISHED ALUMINIUM / LIGHT GREY	6.556,00
9391000-0204ZZZZ	 HARBOUR DINING CHAIR, SWIVEL BASE W/CASTERS, POLISHED ALUMINIUM / OLIVE	6.556,00
9391000-0205ZZZZ	 HARBOUR DINING CHAIR, SWIVEL BASE W/CASTERS, POLISHED ALUMINIUM / WHITE	6.556,00



CORE

HARBOUR DINING CHAIR, STAR BASE, W/CASTERS, UPHOLSTERED

Designed by *Norm Architects*

[BACK TO START](#)

Dining chair with upholstered shell set on a polished aluminium or black powder coated aluminium star base with casters. All Harbour chairs have been upgraded with extra foam in the seat for better sitting comfort, increasing from 15 mm in thickness to 25 mm.

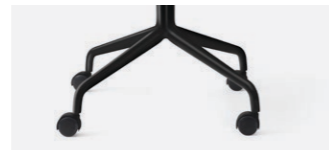
PRODUCT OPTIONS

Shell



WITH UPHOLSTERY

Star base



BLACK POWDER COATED ALUMINIUM



POLISHED ALUMINIUM

Spec options

Available in fabrics from our upholstery programme. Standard lead times apply.

For custom upholstery, please refer to the guiding textile/leather consumption:
COM: 1,7 m / 1,87 yds
COL: 3 m² / 32,31 sqft

Prices excl. custom upholstery are equal to Price Category 1 Textile or Leather. Contact Sales support for approval of custom upholstery and to place your order.

The above textile consumption is only valid for textile rolls with a width equal to or greater than 140 cm. For smaller textile rolls, please contact Sales Support for guidance. For textile with pattern, please expect a higher usage for correct pattern fitting. Please contact Sales Support for guidance.

TECHNICAL SPECIFICATIONS

COLLI

1

WEIGHT

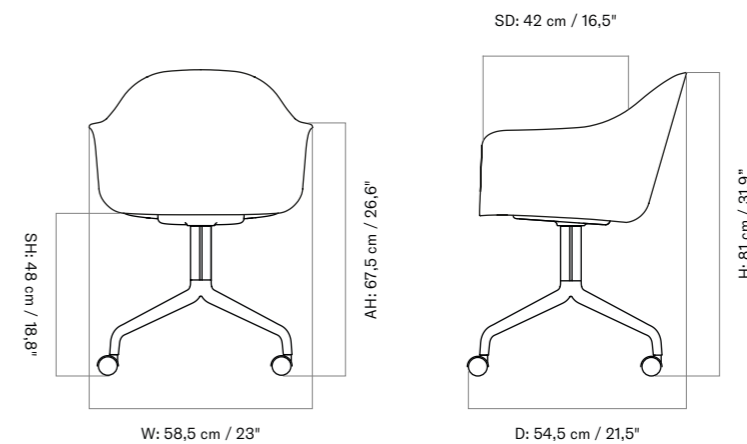
14 kg / 30,9 lb

TEST

N / A

CERTIFICATIONS

Declare.





HARBOUR DINING CHAIR, STAR BASE, W/CASTERS, UPHOLSTERED
Designed by *Norm Architects*

[BACK TO START](#)

CORE

SPEC OPTIONS — PRICES IN SEK
6–8 weeks delivery time

SKU	VARIANT	EXCL. VAT
<i>Textile — Seat with upholstery — Black steel base</i>		
9391020	<i>Price Category 0</i> Audo Bouclé, Audo	7.436,00
9391001	<i>Price Category 1</i> Barnum Bouclé, Audo / Champion, JAB / Illusion, Nevotex / Hot Madison, JAB / Maple, Kvadrat / Remix 3, Kvadrat / Re-wool, Kvadrat	8.636,00
9391002	<i>Price Category 2</i> Canvas 2, Kvadrat / Clay, Kvadrat, Sahco / Colline 2, Kvadrat / Fiord 2, Kvadrat / Hallingdal 65, Kvadrat / Moss, Kvadrat, Sahco / Reflect, Kvadrat / Savanna, Kvadrat / Steelcut 2, Kvadrat / Steelcut Trio 3, Kvadrat	11.196,00
9391003	<i>Price Category 3</i> Arctic, JAB / Safire, Kvadrat, Sahco / Vidar 4, Kvadrat, Sahco / Zero, Kvadrat, Sahco	13.436,00
9391008	<i>Price Category 4</i> Doppiopanama, Dedar / Grand Mohair, Danish Art Weaving / Lupo, Dedar	14.316,00
<i>Leather — Seat with upholstery — Black steel base</i>		
9391004	<i>Price Category 1</i> Dakar, Nevotex / Ultra, Sørensen Leather	13.036,00
9391005	<i>Price Category 2</i> Dunes, Sørensen Leather / Nuance, Sørensen Leather	15.196,00
9391006	<i>Price Category 3</i> Royal Nubuck, Sørensen Leather	18.316,00
9391007	<i>Price Category 4</i> Elegance, Sørensen Leather	25.196,00



CORE

HARBOUR SIDE DINING CHAIR, STEEL BASE, PLASTIC

Designed by *Norm Architects*

[BACK TO START](#)

Dining chair with bare shell set on a powder coated steel base.

PRODUCT OPTIONS

Plastic shell



BLACK

BURNED RED

KHAKI



LIGHT GREY



OLIVE



WHITE

Powder coated steel base



BLACK STEEL



TECHNICAL SPECIFICATIONS

COLLI

1

WEIGHT

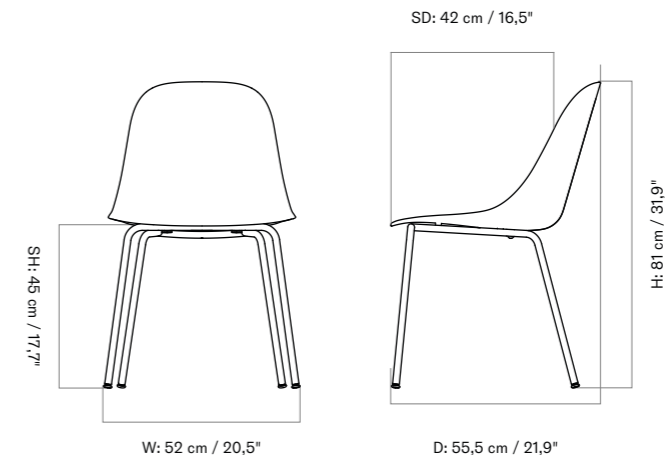
12 kg / 26,5 lb

TEST

EN1022:2005, L2
EN16139:2013, L2

CERTIFICATIONS

Declare.





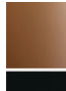

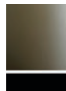



CORE

HARBOUR SIDE DINING CHAIR, STEEL BASE, PLASTIC Designed by *Norm Architects*

[BACK TO START](#)

QUICK SHIP OPTIONS — PRICES IN SEK
Selected combinations up to 4 weeks delivery time.

SKU	VARIANT	EXCL. VAT
9394939-0000ZZZZ	 HARBOUR SIDE DINING CHAIR, BLACK STEEL / BLACK	2.476,00
9394939-0001ZZZZ	 HARBOUR SIDE DINING CHAIR, BLACK STEEL / BURNED RED	2.476,00
9394939-0002ZZZZ	 HARBOUR SIDE DINING CHAIR, BLACK STEEL / KHAKI	2.476,00
9394939-0003ZZZZ	 HARBOUR SIDE DINING CHAIR, BLACK STEEL / LIGHT GREY	2.476,00
9394939-0004ZZZZ	 HARBOUR SIDE DINING CHAIR, BLACK STEEL / OLIVE	2.476,00
9394939-0005ZZZZ	 HARBOUR SIDE DINING CHAIR, BLACK STEEL / WHITE	2.476,00



HARBOUR SIDE DINING CHAIR, STEEL BASE, PLASTIC, material *black steel / olive*, designer *Norm Architects*



CORE

HARBOUR SIDE DINING CHAIR, STEEL BASE, UPHOLSTERED

Designed by *Norm Architects*

[BACK TO START](#)

Dining chair with upholstered shell set on a powder coated steel base. All Harbour chairs have been upgraded with extra foam in the seat for better sitting comfort, increasing from 15 mm in thickness to 25 mm.

PRODUCT OPTIONS

Shell



WITH UPHOLSTERY

Powder coated steel base



BLACK STEEL

Spec options

Available in fabrics from our upholstery programme. Standard lead times apply.

For custom upholstery, please refer to the guiding textile/leather consumption:

COM: 1,27 m / 1,40 yds

COL: 2 m² / 21,54 sqft

Prices excl. custom upholstery are equal to Price Category 1 Textile or Leather. Contact Sales support for approval of custom upholstery and to place your order.

The above textile consumption is only valid for textile rolls with a width equal to or greater than 140 cm. For smaller textile rolls, please contact Sales Support for guidance. For textile with pattern, please expect a higher usage for correct pattern fitting. Please contact Sales Support for guidance.

TECHNICAL SPECIFICATIONS

COLLI

1

WEIGHT

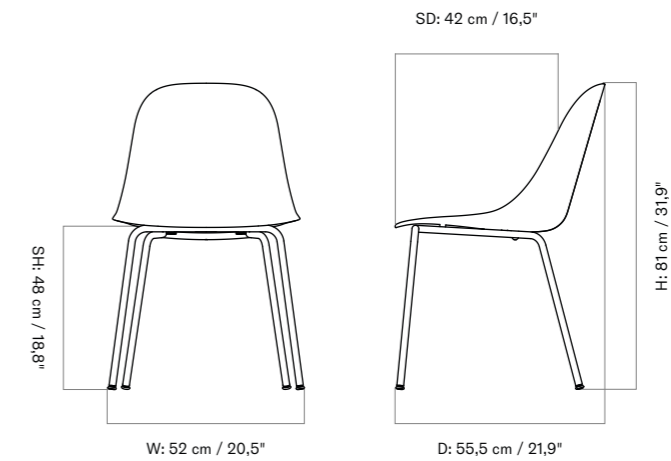
12 kg / 26,5 lb

TEST

EN1022:2005, L2
EN16139:2013, L2

CERTIFICATIONS

Declare.





CORE

HARBOUR SIDE DINING CHAIR, STEEL BASE, UPHOLSTERED
Designed by *Norm Architects*

[BACK TO START](#)

SPEC OPTIONS — PRICES IN SEK
6–8 weeks delivery time

SKU	VARIANT	EXCL. VAT
<i>Textile — Seat with upholstery — Black steel base</i>		
9394020	<i>Price Category 0</i> Audo Bouclé, Audo	4.396,00
9394001	<i>Price Category 1</i> Barnum Bouclé, Audo / Champion, JAB / Illusion, Nevotex / Hot Madison, JAB / Maple, Kvadrat / Remix 3, Kvadrat / Re-wool, Kvadrat	4.956,00
9394002	<i>Price Category 2</i> Canvas 2, Kvadrat / Clay, Kvadrat, Sahco / Colline 2, Kvadrat / Fiord 2, Kvadrat / Hallingdal 65, Kvadrat / Moss, Kvadrat, Sahco / Reflect, Kvadrat / Savanna, Kvadrat / Steelcut 2, Kvadrat / Steelcut Trio 3, Kvadrat	6.316,00
9394003	<i>Price Category 3</i> Arctic, JAB / Safire, Kvadrat, Sahco / Vidar 4, Kvadrat, Sahco / Zero, Kvadrat, Sahco	7.756,00
9394008	<i>Price Category 4</i> Doppiopanama, Dedar / Grand Mohair, Danish Art Weaving / Lupo, Dedar	8.076,00
<i>Leather — Seat with upholstery — Black steel base</i>		
9394004	<i>Price Category 1</i> Dakar, Nevotex / Ultra, Sørensen Leather	7.436,00
9394005	<i>Price Category 2</i> Dunes, Sørensen Leather / Nuance, Sørensen Leather	8.636,00
9394006	<i>Price Category 3</i> Royal Nubuck, Sørensen Leather	10.396,00
9394007	<i>Price Category 4</i> Elegance, Sørensen Leather	14.236,00



CORE

HARBOUR SIDE DINING CHAIR, OAK BASE, PLASTIC

Designed by *Norm Architects*

[BACK TO START](#)

Dining chair with upholstered shell set on a powder coated steel base. All Harbour chairs have been upgraded with extra foam in the seat for better sitting comfort, increasing from 15 mm in thickness to 25 mm.

PRODUCT OPTIONS

Plastic shell



BLACK

BURNED RED

KHAKI



LIGHT GREY



OLIVE



WHITE

Solid oak base



NATURAL OAK

DARK STAINED OAK

BLACK OAK



TECHNICAL SPECIFICATIONS

COLLI

1

WEIGHT

11 kg / 24,3lb

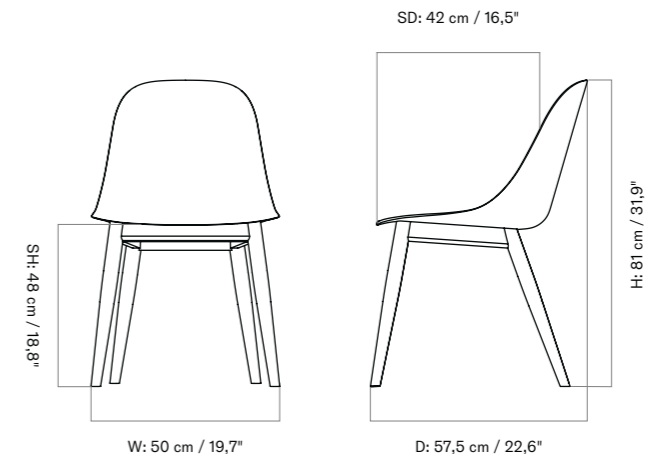
TEST

EN1022:2005, L2
EN16139:2013, L2

CERTIFICATIONS

Crafted from FSC
certified oak

Declare.





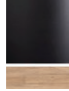





CORE

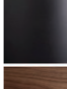


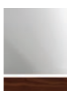
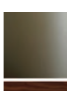

HARBOUR SIDE DINING CHAIR, OAK BASE, PLASTIC Designed by *Norm Architects*

[BACK TO START](#)

QUICK SHIP OPTIONS — PRICES IN SEK
Selected combinations up to 4 weeks delivery time.

QUICK SHIP OPTIONS — PRICES IN SEK
Selected combinations up to 4 weeks delivery time.

SKU	VARIANT	EXCL. VAT
<i>Plastic shell — Natural oak base</i>		
9394839-0200ZZZZ	 HARBOUR SIDE DINING CHAIR, NATURAL OAK / BLACK	3.196,00
9394839-0201ZZZZ	 HARBOUR SIDE DINING CHAIR, NATURAL OAK / BURNED RED	3.196,00
9394839-0202ZZZZ	 HARBOUR SIDE DINING CHAIR, NATURAL OAK / KHAKI	3.196,00
9394839-0203ZZZZ	 HARBOUR SIDE DINING CHAIR, NATURAL OAK / LIGHT GREY	3.196,00
9394839-0204ZZZZ	 HARBOUR SIDE DINING CHAIR, NATURAL OAK / OLIVE	3.196,00
9394839-0205ZZZZ	 HARBOUR SIDE DINING CHAIR, NATURAL OAK / WHITE	3.196,00

SKU	VARIANT	EXCL. VAT
<i>Plastic Shell — Dark stained oak base</i>		
9394839-0100ZZZZ	 HARBOUR SIDE DINING CHAIR, DARK STAINED OAK / BLACK	3.196,00
9394839-0101ZZZZ	 HARBOUR SIDE DINING CHAIR, DARK STAINED OAK / BURNED RED	3.196,00
9394839-0102ZZZZ	 HARBOUR SIDE DINING CHAIR, DARK STAINED OAK / KHAKI	3.196,00
9394839-0103ZZZZ	 HARBOUR SIDE DINING CHAIR, DARK STAINED OAK / LIGHT GREY	3.196,00
9394839-0104ZZZZ	 HARBOUR SIDE DINING CHAIR, DARK STAINED OAK / OLIVE	3.196,00
9394839-0105ZZZZ	 HARBOUR SIDE DINING CHAIR, DARK STAINED OAK / WHITE	3.196,00

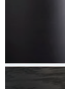



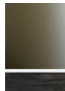



CORE

HARBOUR SIDE DINING CHAIR, OAK BASE, PLASTIC
Designed by *Norm Architects*

[BACK TO START](#)

QUICK SHIP OPTIONS — PRICES IN SEK
Selected combinations up to 4 weeks delivery time.

SKU	VARIANT	EXCL. VAT
<i>Plastic shell — Black oak base</i>		
9394839-0000ZZZZ	 HARBOUR SIDE DINING CHAIR, BLACK OAK / BLACK	3.196,00
9394839-0001ZZZZ	 HARBOUR SIDE DINING CHAIR, BLACK OAK / BURNED RED	3.196,00
9394839-0002ZZZZ	 HARBOUR SIDE DINING CHAIR, BLACK OAK / KHAKI	3.196,00
9394839-0003ZZZZ	 HARBOUR SIDE DINING CHAIR, BLACK OAK / LIGHT GREY	3.196,00
9394839-0004ZZZZ	 HARBOUR SIDE DINING CHAIR, BLACK OAK / OLIVE	3.196,00
9394839-0005ZZZZ	 HARBOUR SIDE DINING CHAIR, BLACK OAK / WHITE	3.196,00



CORE

HARBOUR SIDE DINING CHAIR, OAK BASE, UPHOLSTERED

Designed by *Norm Architects*

[BACK TO START](#)

Dining chair with upholstered shell set on a solid oak base. All Harbour chairs have been upgraded with extra foam in the seat for better sitting comfort, increasing from 15 mm in thickness to 25 mm.

PRODUCT OPTIONS

Shell



WITH UPHOLSTERY

Solid oak base



NATURAL OAK



DARK STAINED OAK



BLACK OAK

Spec options

Available in fabrics from our upholstery programme. Standard lead times apply.

For custom upholstery, please refer to the guiding textile/leather consumption:
COM: 1,27 m / 1,40 yds
COL: 2 m² / 21,54 sqft

Prices excl. custom upholstery are equal to Price Category 1 Textile or Leather. Contact Sales support for approval of custom upholstery and to place your order.

The above textile consumption is only valid for textile rolls with a width equal to or greater than 140 cm. For smaller textile rolls, please contact Sales Support for guidance. For textile with pattern, please expect a higher usage for correct pattern fitting. Please contact Sales Support for guidance.

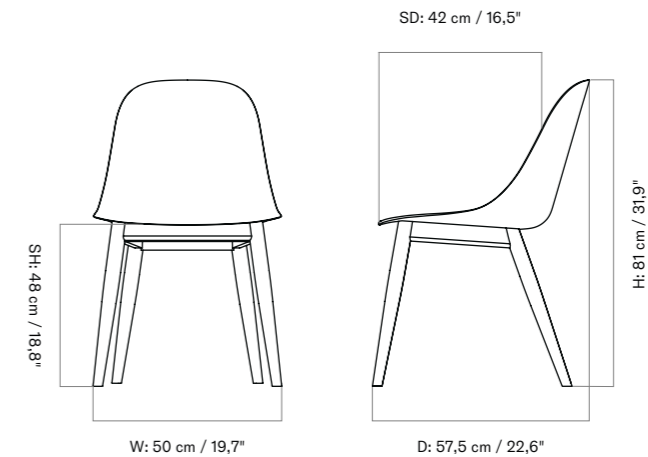
QUICK SHIP OPTIONS — PRICES IN SEK

Selected combinations up to 4 weeks delivery time.

SKU	VARIANT	EXCL. VAT
<i>Shell with upholstery — Natural oak / Dark stained oak base</i>		
9395001-010M08ZZ	 HARBOUR SIDE DINING CHAIR, DARK STAINED OAK / REMIX 3 233	5.276,00
9395004-020301ZZ	 HARBOUR SIDE DINING CHAIR, NATURAL OAK / DAKAR 0250	7.756,00

TECHNICAL SPECIFICATIONS

COLLI	WEIGHT	TEST	CERTIFICATIONS
1	11 kg / 24,3lb	EN1022:2005, L2 EN16139:2013, L2	Crafted from FSC certified oak Declare.





CORE

HARBOUR SIDE DINING CHAIR, OAK BASE, UPHOLSTERED
Designed by *Norm Architects*

[BACK TO START](#)

SPEC OPTIONS — PRICES IN SEK
6–8 weeks delivery time

SKU	VARIANT	EXCL. VAT
<i>Textile — Seat with upholstery — Solid oak base</i>		
9395020	<i>Price Category 0</i> Audo Bouclé, Audo	4.556,00
9395001	<i>Price Category 1</i> Barnum Bouclé, Audo / Champion, JAB / Illusion, Nevotex / Hot Madison, JAB / Maple, Kvadrat / Remix 3, Kvadrat / Re-wool, Kvadrat	5.276,00
9395002	<i>Price Category 2</i> Canvas 2, Kvadrat / Clay, Kvadrat, Sahco / Colline 2, Kvadrat / Fiord 2, Kvadrat / Hallingdal 65, Kvadrat / Moss, Kvadrat, Sahco / Reflect, Kvadrat / Savanna, Kvadrat / Steelcut 2, Kvadrat / Steelcut Trio 3, Kvadrat	6.796,00
9395003	<i>Price Category 3</i> Arctic, JAB / Safire, Kvadrat, Sahco / Vidar 4, Kvadrat, Sahco / Zero, Kvadrat, Sahco	8.076,00
9395008	<i>Price Category 4</i> Doppiopanama, Dedar / Grand Mohair, Danish Art Weaving / Lupo, Dedar	8.556,00
<i>Leather — Seat with upholstery — Solid oak base</i>		
9395004	<i>Price Category 1</i> Dakar, Nevotex / Ultra, Sørensen Leather	7.756,00
9395005	<i>Price Category 2</i> Dunes, Sørensen Leather / Nuance, Sørensen Leather	9.116,00
9395006	<i>Price Category 3</i> Royal Nubuck, Sørensen Leather	10.876,00
9395007	<i>Price Category 4</i> Elegance, Sørensen Leather	14.556,00



CORE

HARBOUR SIDE DINING CHAIR, STAR BASE W/SWIVEL, PLASTIC

Designed by *Norm Architects*

[BACK TO START](#)

Dining chair with upholstered shell set on a solid oak base. All Harbour chairs have been upgraded with extra foam in the seat for better sitting comfort, increasing from 15 mm in thickness to 25 mm.



PRODUCT OPTIONS

Plastic shell



BLACK

BURNED RED

KHAKI

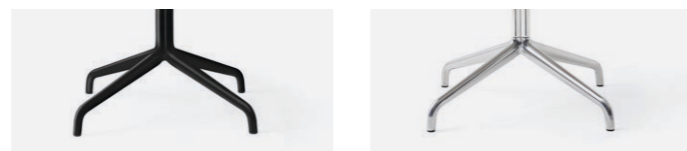


LIGHT GREY

OLIVE

WHITE

Star base



BLACK POWDER
COATED ALUMINIUM

POLISHED ALUMINIUM

TECHNICAL SPECIFICATIONS

COLLI

1

WEIGHT

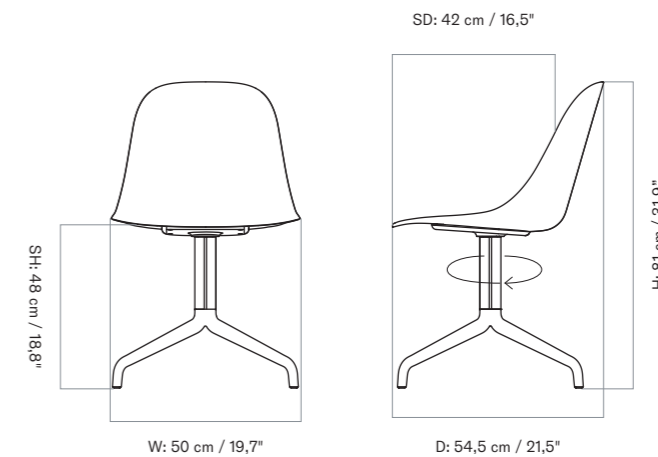
13 kg / 28,7 lb

TEST

EN1022:2005, L2
EN16139:2013, L2

CERTIFICATIONS

Declare.









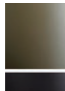

CORE





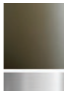

HARBOUR SIDE DINING CHAIR, STAR BASE W/SWIVEL, PLASTIC Designed by *Norm Architects*

[BACK TO START](#)

QUICK SHIP OPTIONS — PRICES IN SEK
Selected combinations up to 4 weeks delivery time.

QUICK SHIP OPTIONS — PRICES IN SEK
Selected combinations up to 4 weeks delivery time.

SKU	VARIANT	EXCL. VAT
<i>Plastic Shell — Black aluminium</i>		
9396939-0000ZZZZ	 HARBOUR SIDE DINING CHAIR, STAR BASE W/ SWIVEL, BLACK ALUMINIUM / BLACK	5.436,00
9396939-0001ZZZZ	 HARBOUR SIDE DINING CHAIR, STAR BASE W/ SWIVEL, BLACK ALUMINIUM / BURNED RED	5.436,00
9396939-0002ZZZZ	 HARBOUR SIDE DINING CHAIR, STAR BASE W/ SWIVEL, BLACK ALUMINIUM / KHAKI	5.436,00
9396939-0003ZZZZ	 HARBOUR SIDE DINING CHAIR, STAR BASE W/ SWIVEL, BLACK ALUMINIUM / LIGHT GREY	5.436,00
9396939-0004ZZZZ	 HARBOUR SIDE DINING CHAIR, STAR BASE W/ SWIVEL, BLACK ALUMINIUM / OLIVE	5.436,00
9396939-0005ZZZZ	 HARBOUR SIDE DINING CHAIR, STAR BASE W/ SWIVEL, BLACK ALUMINIUM / WHITE	5.436,00

SKU	VARIANT	EXCL. VAT
<i>Plastic Shell — Polished aluminium</i>		
9396939-0200ZZZZ	 HARBOUR SIDE DINING CHAIR, STAR BASE W/ SWIVEL, POLISHED ALUMINIUM / BLACK	5.436,00
9396939-0201ZZZZ	 HARBOUR SIDE DINING CHAIR, STAR BASE W/ SWIVEL, POLISHED ALUMINIUM / BURNED RED	5.436,00
9396939-0202ZZZZ	 HARBOUR SIDE DINING CHAIR, STAR BASE W/ SWIVEL, POLISHED ALUMINIUM / KHAKI	5.436,00
9396939-0203ZZZZ	 HARBOUR SIDE DINING CHAIR, STAR BASE W/ SWIVEL, POLISHED ALUMINIUM / LIGHT GREY	5.436,00
9396939-0204ZZZZ	 HARBOUR SIDE DINING CHAIR, STAR BASE W/ SWIVEL, POLISHED ALUMINIUM / OLIVE	5.436,00
9396939-0205ZZZZ	 HARBOUR SIDE DINING CHAIR, STAR BASE W/ SWIVEL, POLISHED ALUMINIUM / WHITE	5.436,00



CORE

HARBOUR SIDE DINING CHAIR, STAR BASE W/SWIVEL, UPHOLSTERED

Designed by *Norm Architects*

[BACK TO START](#)

Dining chair with upholstered shell set on a polished aluminium or black powder coated aluminium star base with swivel. All Harbour chairs have been upgraded with extra foam in the seat for better sitting comfort, increasing from 15 mm in thickness to 25 mm.



PRODUCT OPTIONS

Shell



WITH UPHOLSTERY

Star base



BLACK POWDER
COATED ALUMINIUM



POLISHED ALUMINIUM

Spec options

Available in fabrics from our upholstery programme.
Standard lead times apply.

For custom upholstery, please refer to the guiding
textile/leather consumption:
COM: 1,27 m / 1,40 yds
COL: 2 m² / 21,54 sqft

Prices excl. custom upholstery are equal to Price Category 1
Textile or Leather. Contact Sales support for approval of custom
upholstery and to place your order.

The above textile consumption is only valid for textile rolls with a width equal to
or greater than 140 cm. For smaller textile rolls, please contact Sales Support for
guidance. For textile with pattern, please expect a higher usage for correct pattern
fitting. Please contact Sales Support for guidance.

TECHNICAL SPECIFICATIONS

COLLI

1

WEIGHT

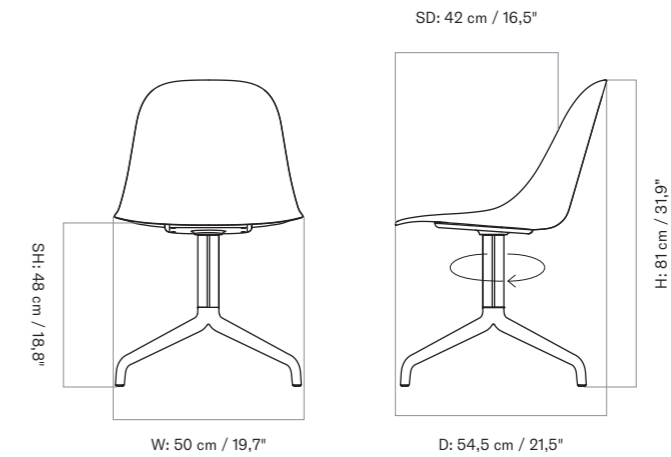
13 kg / 28,7 lb

TEST

EN1022:2005, L2
EN16139:2013, L2

CERTIFICATIONS

Declare.





CORE

HARBOUR SIDE DINING CHAIR, STAR BASE W/SWIVEL, UPHOLSTERED
Designed by *Norm Architects*

[BACK TO START](#)

SPEC OPTIONS — PRICES IN SEK
6–8 weeks delivery time

SKU	VARIANT	EXCL. VAT
<i>Textile — Seat with upholstery — Black steel base</i>		
9396020	<i>Price Category 0</i> Audo Bouclé, Audo	6.236,00
9396001	<i>Price Category 1</i> Barnum Bouclé, Audo / Champion, JAB / Illusion, Nevotex / Hot Madison, JAB / Maple, Kvadrat / Remix 3, Kvadrat / Re-wool, Kvadrat	7.036,00
9396002	<i>Price Category 2</i> Canvas 2, Kvadrat / Clay, Kvadrat, Sahco / Colline 2, Kvadrat / Fiord 2, Kvadrat / Hallingdal 65, Kvadrat / Moss, Kvadrat, Sahco / Reflect, Kvadrat / Savanna, Kvadrat / Steelcut 2, Kvadrat / Steelcut Trio 3, Kvadrat	9.196,00
9396003	<i>Price Category 3</i> Arctic, JAB / Safire, Kvadrat, Sahco / Vidar 4, Kvadrat, Sahco / Zero, Kvadrat, Sahco	10.876,00
9396008	<i>Price Category 4</i> Doppiopanama, Dedar / Grand Mohair, Danish Art Weaving / Lupo, Dedar	11.596,00
<i>Leather — Seat with upholstery — Black steel base</i>		
9396004	<i>Price Category 1</i> Dakar, Nevotex / Ultra, Sørensen Leather	10.716,00
9396005	<i>Price Category 2</i> Dunes, Sørensen Leather / Nuance, Sørensen Leather	12.156,00
9396006	<i>Price Category 3</i> Royal Nubuck, Sørensen Leather	14.636,00
9396007	<i>Price Category 4</i> Elegance, Sørensen Leather	20.076,00



CORE

HARBOUR SIDE DINING CHAIR, STAR BASE, SWIVEL W/RETURN, PLASTIC

Designed by *Norm Architects*

[BACK TO START](#)

Dining chair with upholstered shell set on a polished aluminium or black powder coated aluminium star base with swivel. All Harbour chairs have been upgraded with extra foam in the seat for better sitting comfort, increasing from 15 mm in thickness to 25 mm.



PRODUCT OPTIONS

Plastic shell



BLACK

BURNED RED

KHAKI

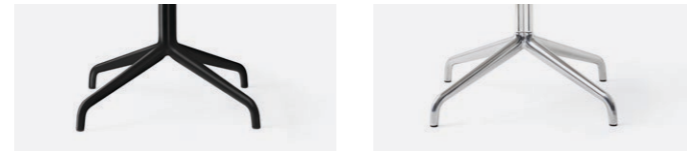


LIGHT GREY

OLIVE

WHITE

Star base



BLACK POWDER
COATED ALUMINIUM

POLISHED ALUMINIUM

TECHNICAL SPECIFICATIONS

COLLI

1

WEIGHT

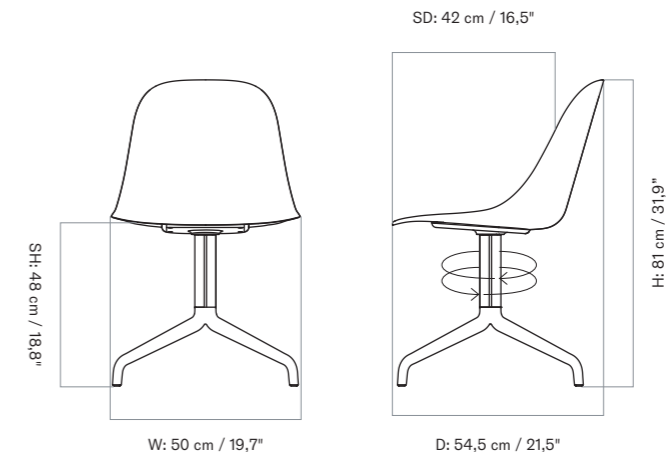
13 kg / 28,7 lb

TEST

EN1022:2005, L2
EN16139:2013, L2

CERTIFICATIONS

Declare.









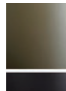

CORE





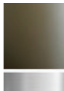

HARBOUR SIDE DINING CHAIR, STAR BASE, SWIVEL W/RETURN, PLASTIC Designed by *Norm Architects*

[BACK TO START](#)

QUICK SHIP OPTIONS — PRICES IN SEK
Selected combinations up to 4 weeks delivery time.

QUICK SHIP OPTIONS — PRICES IN SEK
Selected combinations up to 4 weeks delivery time.

SKU	VARIANT	EXCL. VAT
<i>Plastic Shell — Black aluminium</i>		
9397939-0000ZZZZ	 HARBOUR SIDE DINING CHAIR, STAR BASE, SWIVEL W/RETURN, BLACK ALUMINIUM / BLACK	5.836,00
9397939-0001ZZZZ	 HARBOUR SIDE DINING CHAIR, STAR BASE, SWIVEL W/RETURN, BLACK ALUMINIUM / BURNED RED	5.836,00
9397939-0002ZZZZ	 HARBOUR SIDE DINING CHAIR, STAR BASE, SWIVEL W/RETURN, BLACK ALUMINIUM / KHAKI	5.836,00
9397939-0003ZZZZ	 HARBOUR SIDE DINING CHAIR, STAR BASE, SWIVEL W/RETURN, BLACK ALUMINIUM / LIGHT GREY	5.836,00
9397939-0004ZZZZ	 HARBOUR SIDE DINING CHAIR, STAR BASE, SWIVEL W/RETURN, BLACK ALUMINIUM / OLIVE	5.836,00
9397939-0005ZZZZ	 HARBOUR SIDE DINING CHAIR, STAR BASE, SWIVEL W/RETURN, BLACK ALUMINIUM / WHITE	5.836,00

SKU	VARIANT	EXCL. VAT
<i>Plastic Shell — Polished aluminium</i>		
9397939-0200ZZZZ	 HARBOUR SIDE DINING CHAIR, STAR BASE, SWIVEL W/RETURN, POLISHED ALUMINIUM / BLACK	5.836,00
9397939-0201ZZZZ	 HARBOUR SIDE DINING CHAIR, STAR BASE, SWIVEL W/RETURN, POLISHED ALUMINIUM / BURNED RED	5.836,00
9397939-0202ZZZZ	 HARBOUR SIDE DINING CHAIR, STAR BASE, SWIVEL W/RETURN, POLISHED ALUMINIUM / KHAKI	5.836,00
9397939-0203ZZZZ	 HARBOUR SIDE DINING CHAIR, STAR BASE, SWIVEL W/RETURN, POLISHED ALUMINIUM / LIGHT GREY	5.836,00
9397939-0204ZZZZ	 HARBOUR SIDE DINING CHAIR, STAR BASE, SWIVEL W/RETURN, POLISHED ALUMINIUM / OLIVE	5.836,00
9397939-0205ZZZZ	 HARBOUR SIDE DINING CHAIR, STAR BASE, SWIVEL W/RETURN, POLISHED ALUMINIUM / WHITE	5.836,00



CORE

HARBOUR SIDE DINING CHAIR, STAR BASE, SWIVEL W/RETURN, UPH.

Designed by *Norm Architects*

[BACK TO START](#)

Dining chair with upholstered shell set on a polished aluminium or black powder coated aluminium star base with return swivel. All Harbour chairs have been upgraded with extra foam in the seat for better sitting comfort, increasing from 15 mm in thickness to 25 mm.

PRODUCT OPTIONS

Shell



WITH UPHOLSTERY

Star base



BLACK POWDER
COATED ALUMINIUM



POLISHED ALUMINIUM

Spec options

Available in fabrics from our upholstery programme. Standard lead times apply.

For custom upholstery, please refer to the guiding textile/leather consumption:
COM: 1,27 m / 1,40 yds
COL: 2 m² / 21,54 sqft

Prices excl. custom upholstery are equal to Price Category 1 Textile or Leather. Contact Sales support for approval of custom upholstery and to place your order.

The above textile consumption is only valid for textile rolls with a width equal to or greater than 140 cm. For smaller textile rolls, please contact Sales Support for guidance. For textile with pattern, please expect a higher usage for correct pattern fitting. Please contact Sales Support for guidance.

TECHNICAL SPECIFICATIONS

COLLI

1

WEIGHT

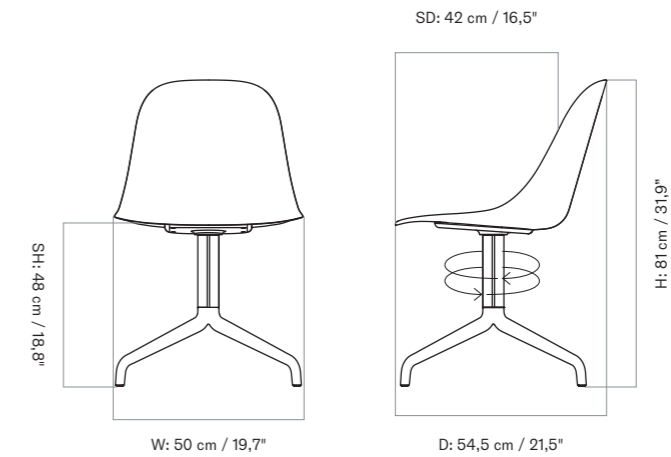
13 kg / 28,7 lb

TEST

EN1022:2005, L2
EN16139:2013, L2

CERTIFICATIONS

Declare.





CORE

HARBOUR SIDE DINING CHAIR, STAR BASE, SWIVEL W/RETURN, UPH.
Designed by *Norm Architects*

[BACK TO START](#)

SPEC OPTIONS — PRICES IN SEK
6–8 weeks delivery time

SKU	VARIANT	EXCL. VAT
<i>Textile — Seat with upholstery — Black steel base</i>		
9397020	<i>Price Category 0</i> Audo Bouclé, Audo	6.476,00
9397001	<i>Price Category 1</i> Barnum Bouclé, Audo / Champion, JAB / Illusion, Nevotex / Hot Madison, JAB / Maple, Kvadrat / Remix 3, Kvadrat / Re-wool, Kvadrat	7.436,00
9397002	<i>Price Category 2</i> Canvas 2, Kvadrat / Clay, Kvadrat, Sahco / Colline 2, Kvadrat / Fiord 2, Kvadrat / Hallingdal 65, Kvadrat / Moss, Kvadrat, Sahco / Reflect, Kvadrat / Savanna, Kvadrat / Steelcut 2, Kvadrat / Steelcut Trio 3, Kvadrat	9.596,00
9397003	<i>Price Category 3</i> Arctic, JAB / Safire, Kvadrat, Sahco / Vidar 4, Kvadrat, Sahco / Zero, Kvadrat, Sahco	11.756,00
9397008	<i>Price Category 4</i> Doppiopanama, Dedar / Grand Mohair, Danish Art Weaving / Lupo, Dedar	12.236,00
<i>Leather — Seat with upholstery — Black steel base</i>		
9397004	<i>Price Category 1</i> Dakar, Nevotex / Ultra, Sørensen Leather	11.276,00
9397005	<i>Price Category 2</i> Dunes, Sørensen Leather / Nuance, Sørensen Leather	13.036,00
9397006	<i>Price Category 3</i> Royal Nubuck, Sørensen Leather	15.676,00
9397007	<i>Price Category 4</i> Elegance, Sørensen Leather	21.356,00



CORE

HARBOUR SIDE DINING CHAIR, STAR BASE, W/CASTERS, PLASTIC

Designed by *Norm Architects*

[BACK TO START](#)

Dining chair with bare shell set on a polished aluminium or black powder coated aluminium star base with casters.

PRODUCT OPTIONS

Plastic shell



BLACK

BURNED RED

KHAKI



LIGHT GREY

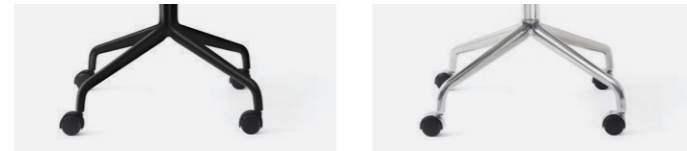


OLIVE



WHITE

Star base with casters



BLACK POWDER
COATED ALUMINIUM

POLISHED ALUMINIUM

TECHNICAL SPECIFICATIONS

COLLI

1

WEIGHT

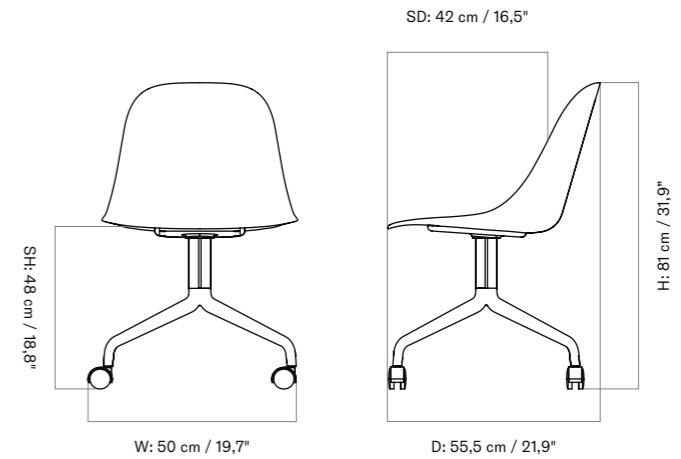
14 kg / 30,9 lb

TEST

N / A

CERTIFICATIONS

Declare.









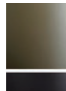

CORE





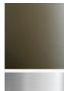

HARBOUR SIDE DINING CHAIR, STAR BASE, W/CASTERS, PLASTIC Designed by *Norm Architects*

[BACK TO START](#)

QUICK SHIP OPTIONS — PRICES IN SEK
Selected combinations up to 4 weeks delivery time.

QUICK SHIP OPTIONS — PRICES IN SEK
Selected combinations up to 4 weeks delivery time.

SKU	VARIANT	EXCL. VAT
<i>Plastic Shell — Black aluminium</i>		
9398939-0000ZZZZ	 HARBOUR SIDE DINING CHAIR, STAR BASE W/ CASTERS, BLACK ALUMINIUM / BLACK	5.836,00
9398939-0001ZZZZ	 HARBOUR SIDE DINING CHAIR, STAR BASE W/CASTERS, BLACK ALUMINIUM / BURNED RED	5.836,00
9398939-0002ZZZZ	 HARBOUR SIDE DINING CHAIR, STAR BASE W/CASTERS, BLACK ALUMINIUM / KHAKI	5.836,00
9398939-0003ZZZZ	 HARBOUR SIDE DINING CHAIR, STAR BASE W/ CASTERS, BLACK ALUMINIUM / LIGHT GREY	5.836,00
9398939-0004ZZZZ	 HARBOUR SIDE DINING CHAIR, STAR BASE W/CASTERS, BLACK ALUMINIUM / OLIVE	5.836,00
9398939-0005ZZZZ	 HARBOUR SIDE DINING CHAIR, STAR BASE W/ CASTERS, BLACK ALUMINIUM / WHITE	5.836,00

SKU	VARIANT	EXCL. VAT
<i>Plastic Shell — Polished aluminium</i>		
9398939-0200ZZZZ	 HARBOUR SIDE DINING CHAIR, STAR BASE W/ CASTERS, POLISHED ALUMINIUM / BLACK	5.836,00
9398939-0201ZZZZ	 HARBOUR SIDE DINING CHAIR, STAR BASE W/ CASTERS, POLISHED ALUMINIUM / BURNED RED	5.836,00
9398939-0202ZZZZ	 HARBOUR SIDE DINING CHAIR, STAR BASE W/ CASTERS, POLISHED ALUMINIUM / KHAKI	5.836,00
9398939-0203ZZZZ	 HARBOUR SIDE DINING CHAIR, STAR BASE W/ CASTERS, POLISHED ALUMINIUM / LIGHT GREY	5.836,00
9398939-0204ZZZZ	 HARBOUR SIDE DINING CHAIR, STAR BASE W/ CASTERS, POLISHED ALUMINIUM / OLIVE	5.836,00
9398939-0205ZZZZ	 HARBOUR SIDE DINING CHAIR, STAR BASE W/ CASTERS, POLISHED ALUMINIUM / WHITE	5.836,00



CORE

HARBOUR SIDE DINING CHAIR, STAR BASE, W/CASTERS, UPHOLSTERED

Designed by *Norm Architects*

[BACK TO START](#)

Dining chair with upholstered shell set on a polished aluminium or black powder coated aluminium star base with casters. All Harbour chairs have been upgraded with extra foam in the seat for better sitting comfort, increasing from 15 mm in thickness to 25 mm.

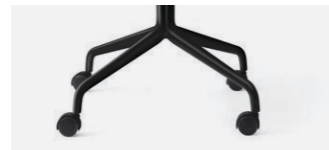
PRODUCT OPTIONS

Shell



WITH UPHOLSTERY

Star base



BLACK POWDER COATED ALUMINIUM



POLISHED ALUMINIUM

Spec options

Available in fabrics from our upholstery programme. Standard lead times apply.

For custom upholstery, please refer to the guiding textile/leather consumption:
COM: 1,27 m / 1,40 yds
COL: 2 m² / 21,54 sqft

Prices excl. custom upholstery are equal to Price Category 1 Textile or Leather. Contact Sales support for approval of custom upholstery and to place your order.

The above textile consumption is only valid for textile rolls with a width equal to or greater than 140 cm. For smaller textile rolls, please contact Sales Support for guidance. For textile with pattern, please expect a higher usage for correct pattern fitting. Please contact Sales Support for guidance.

TECHNICAL SPECIFICATIONS

COLLI

1

WEIGHT

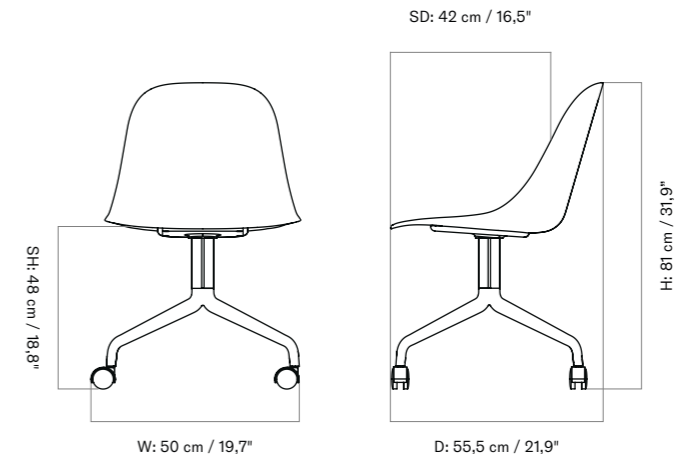
14 kg / 30,9 lb

TEST

N / A

CERTIFICATIONS

Declare.





CORE

HARBOUR SIDE DINING CHAIR, STAR BASE, W/CASTERS, UPHOLSTERED
Designed by *Norm Architects*

[BACK TO START](#)

SPEC OPTIONS — PRICES IN SEK
6–8 weeks delivery time

SKU	VARIANT	EXCL. VAT
<i>Textile — Seat with upholstery — Black steel base</i>		
9398020	<i>Price Category 0</i> Audo Bouclé, Audo	6.236,00
9398001	<i>Price Category 1</i> Barnum Bouclé, Audo / Champion, JAB / Illusion, Nevotex / Hot Madison, JAB / Maple, Kvadrat / Remix 3, Kvadrat / Re-wool, Kvadrat	7.436,00
9398002	<i>Price Category 2</i> Canvas 2, Kvadrat / Clay, Kvadrat, Sahco / Colline 2, Kvadrat / Fiord 2, Kvadrat / Hallingdal 65, Kvadrat / Moss, Kvadrat, Sahco / Reflect, Kvadrat / Savanna, Kvadrat / Steelcut 2, Kvadrat / Steelcut Trio 3, Kvadrat	9.596,00
9398003	<i>Price Category 3</i> Arctic, JAB / Safire, Kvadrat, Sahco / Vidar 4, Kvadrat, Sahco / Zero, Kvadrat, Sahco	11.596,00
9398008	<i>Price Category 4</i> Doppiopanama, Dedar / Grand Mohair, Danish Art Weaving / Lupo, Dedar	12.236,00
<i>Leather — Seat with upholstery — Black steel base</i>		
9398004	<i>Price Category 1</i> Dakar, Nevotex / Ultra, Sørensen Leather	11.276,00
9398005	<i>Price Category 2</i> Dunes, Sørensen Leather / Nuance, Sørensen Leather	13.036,00
9398006	<i>Price Category 3</i> Royal Nubuck, Sørensen Leather	15.676,00
9398007	<i>Price Category 4</i> Elegance, Sørensen Leather	21.356,00

 Veneer →

 Seat Upholstered →

 Front Upholstered →

Row Connection →



READY DINING CHAIR, VENEER, material *red painted oak*, designer *Matias Møllenbach & Nick Rasmussen*
ANDROGYNE DINING TABLE, material *dark stained oak*, designer *Danielle Siggerud*



CORE

READY DINING CHAIR, VENEER

Designed by *Matias Møllenbach & Nick Rasmussen*

[BACK TO START](#)

A distinct and contemporary interpretation of the all-wood chair, the Ready Chair is crafted from moulded wood veneer to highlight the fluid curves of the body. Available in natural, red stained or black painted oak with a water based lacquered finish, the pared-back dining chair showcases precise craft and natural materials to functionally beautiful effect.

If you wish to receive Row Connectors for your chairs and ensure pre-drilled compatibility, please order them when placing the order for the chairs.



PRODUCT OPTIONS

Shell



NATURAL OAK



RED STAINED OAK



BLACK PAINTED OAK

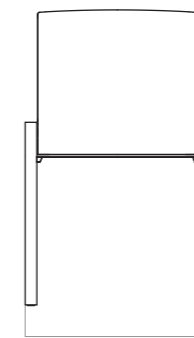
QUICK SHIP OPTIONS — PRICES IN SEK

Selected combinations up to 4 weeks delivery time.

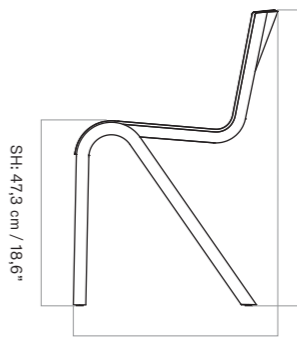
SKU	VARIANT	EXCL. VAT
8201100-00ZZZZZ	READY DINING CHAIR, NATURAL OAK	3.196,00
8201100-01ZZZZZ	READY DINING CHAIR, RED STAINED OAK	3.196,00
8201100-02ZZZZZ	READY DINING CHAIR, BLACK PAINTED OAK	3.196,00

TECHNICAL SPECIFICATIONS

COLLI	WEIGHT	TEST	CERTIFICATIONS
1	4,5 kg / 9,9 lb	EN1022:2005, L2 EN16139:2013, L2	Crafted from FSC certified oak Declare.



W: 47,5 cm / 18,7"



SH: 47,3 cm / 18,6"

H: 78 cm / 30,7"

D: 50 cm / 19,7"



CORE

READY DINING CHAIR, SEAT UPHOLSTERED Designed by *Matias Møllenbach & Nick Rasmussen*

[BACK TO START](#)

A distinct and contemporary interpretation of the all-wood chair, the Ready Chair is crafted from moulded wood veneer to highlight the fluid curves of the body. Available in natural, red stained or black painted oak with a water based lacquered finish with a seat upholstery, the pared-back dining chair showcases precise craft and natural materials to functionally beautiful effect.

If you wish to receive Row Connectors for your chairs and ensure pre-drilled compatibility, please order them when placing the order for the chairs.



PRODUCT OPTIONS

Seat



UPHOLSTERED

Solid oak base



NATURAL OAK



RED STAINED OAK



BLACK PAINTED OAK

Spec options

Available in fabrics from our upholstery programme. Standard lead times apply.

For custom upholstery, please refer to the guiding textile/leather consumption:
COM: 0,59 m / 0,649 yds
COL: 0,88 m² / 9,4776 sqft

Prices excl. custom upholstery are equal to Price Category 1 Textile or Leather. Contact Sales support for approval of custom upholstery and to place your order.

The above textile consumption is only valid for textile rolls with a width equal to or greater than 140 cm. For smaller textile rolls, please contact Sales Support for guidance. For textile with pattern, please expect a higher usage for correct pattern fitting. Please contact Sales Support for guidance.

TECHNICAL SPECIFICATIONS

COLLI

1

WEIGHT

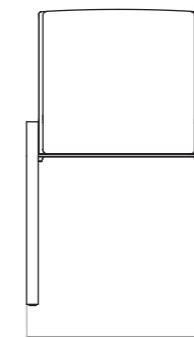
6,4 kg / 14,1 lb

TEST

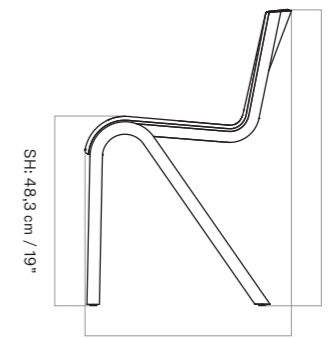
EN1022:2005, L2
EN16139:2013, L2

CERTIFICATIONS

Crafted from FSC certified oak



W: 47,5 cm / 18,7"



SH: 48,3 cm / 19"

D: 50 cm / 19,7"

H: 78 cm / 30,7"



READY DINING CHAIR, SEAT UPHOLSTERED
Designed by *Matias Møllenbach & Nick Rasmussen*

[BACK TO START](#)

CORE

SPEC OPTIONS — PRICES IN SEK
6–8 weeks delivery time

SKU	VARIANT	EXCL. VAT
<i>Textile — Seat with upholstery</i>		
8202000	<i>Price Category 0</i> Audo Bouclé, Audo	3.356,00
8202001	<i>Price Category 1</i> Barnum Bouclé, Audo / Champion, JAB / Illusion, Nevotex / Hot Madison, JAB / Maple, Kvadrat / Remix 3, Kvadrat / Re-wool, Kvadrat	4.076,00
8202002	<i>Price Category 2</i> Canvas 2, Kvadrat / Clay, Kvadrat, Sahco / Colline 2, Kvadrat / Fiord 2, Kvadrat / Hallingdal 65, Kvadrat / Moss, Kvadrat, Sahco / Reflect, Kvadrat / Savanna, Kvadrat / Steelcut 2, Kvadrat / Steelcut Trio 3, Kvadrat	4.556,00
8202003	<i>Price Category 3</i> Arctic, JAB / Safire, Kvadrat, Sahco / Vidar 4, Kvadrat, Sahco / Zero, Kvadrat, Sahco	5.036,00
8202004	<i>Price Category 4</i> Doppiopanama, Dedar / Grand Mohair, Danish Art Weaving / Lupo, Dedar	5.676,00
<i>Leather — Seat with upholstery</i>		
8222001	<i>Price Category 1</i> Dakar, Nevotex / Envy, Sørensens Leather / Ultra, Sørensens Leather	4.236,00
8222002	<i>Price Category 2</i> Dunes, Sørensens Leather / Nuance, Sørensens Leather	4.956,00
8222003	<i>Price Category 3</i> Royal Nubuck, Sørensens Leather	5.596,00



CORE

READY DINING CHAIR, FRONT UPHOLSTERED

Designed by *Matias Møllenbach & Nick Rasmussen*

[BACK TO START](#)

A distinct and contemporary interpretation of the all-wood chair, the Ready Chair is crafted from moulded wood veneer to highlight the fluid curves of the body. Available in natural, red stained or black painted oak with a water based lacquered finish with full front upholstery, the pared-back dining chair showcases precise craft and natural materials to functionally beautiful effect.

If you wish to receive Row Connectors for your chairs and ensure pre-drilled compatibility, please order them when placing the order for the chairs.



PRODUCT OPTIONS

Seat



UPHOLSTERED

Solid oak base



NATURAL OAK



RED STAINED OAK



BLACK PAINTED OAK

Spec options

Available in fabrics from our upholstery programme. Standard lead times apply.

For custom upholstery, please refer to the guiding textile/leather consumption:
COM: 0,59 m / 0,649 yds
COL: 0,88 m² / 9,4776 sqft

Prices excl. custom upholstery are equal to Price Category 1 Textile or Leather. Contact Sales support for approval of custom upholstery and to place your order.

The above textile consumption is only valid for textile rolls with a width equal to or greater than 140 cm. For smaller textile rolls, please contact Sales Support for guidance. For textile with pattern, please expect a higher usage for correct pattern fitting. Please contact Sales Support for guidance.

TECHNICAL SPECIFICATIONS

COLLI

1

WEIGHT

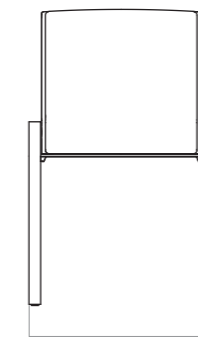
6,4 kg / 14,1 lb

TEST

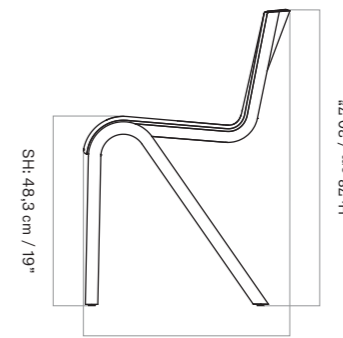
EN1022:2005, L2
EN16139:2013, L2

CERTIFICATIONS

Crafted from FSC certified oak



W: 47,5 cm / 18,7"



SH: 48,3 cm / 19,1"

D: 50 cm / 19,7"

H: 78 cm / 30,7"



READY DINING CHAIR, FRONT UPHOLSTERED
Designed by *Matias Møllenbach & Nick Rasmussen*

[BACK TO START](#)

CORE

SPEC OPTIONS — PRICES IN SEK
6–8 weeks delivery time

SKU	VARIANT	EXCL. VAT
<i>Textile — Front upholstered</i>		
8201000	<i>Price Category 0</i> Audo Bouclé, Audo	3.756,00
8201001	<i>Price Category 1</i> Barnum Bouclé, Audo / Champion, JAB / Illusion, Nevotex / Hot Madison, JAB / Maple, Kvadrat / Remix 3, Kvadrat / Re-wool, Kvadrat	4.236,00
8201002	<i>Price Category 2</i> Canvas 2, Kvadrat / Clay, Kvadrat, Sahco / Colline 2, Kvadrat / Fiord 2, Kvadrat / Hallingdal 65, Kvadrat / Moss, Kvadrat, Sahco / Reflect, Kvadrat / Savanna, Kvadrat / Steelcut 2, Kvadrat / Steelcut Trio 3, Kvadrat	4.796,00
8201003	<i>Price Category 3</i> Arctic, JAB / Safire, Kvadrat, Sahco / Vidar 4, Kvadrat, Sahco / Zero, Kvadrat, Sahco	5.276,00
8201004	<i>Price Category 4</i> Doppiopanama, Dedar / Grand Mohair, Danish Art Weaving / Lupo, Dedar	5.996,00
<i>Leather — Front upholstered</i>		
8201101	<i>Price Category 1</i> Dakar, Nevotex / Envy, Sørensens Leather / Ultra, Sørensens Leather	5.116,00
8201102	<i>Price Category 2</i> Dunes, Sørensens Leather / Nuance, Sørensens Leather	5.836,00
8201103	<i>Price Category 3</i> Royal Nubuck, Sørensens Leather	6.556,00

READY DINING CHAIR ROW CONNECTION
Designed by *Møllenbach & Nick Rasmussen*

[BACK TO START](#)

CORE

Row Connection allows you to join individual Ready Dining Chairs together in a line, making it ideal for use in conference facilities. The bracket is made of strong aluminium and is easy to connect and disconnect. The connecting bracket can be tucked under the seat when not in use. The Ready Dining Chair can be stacked with 10 chairs with and without the Row Connection.



If you wish to receive Row Connectors for your chairs and ensure pre-drilled compatibility, please order them when placing the order for the chairs.

QUICK SHIP OPTIONS — PRICES IN SEK
Selected combinations up to 4 weeks delivery time.


SKU	VARIANT	EXCL. VAT
8201011	ROW CONNECTION FOR READY DINING CHAIR	328,00

TECHNICAL SPECIFICATIONS

COLLI	WEIGHT	TEST	CERTIFICATIONS
1	400 g / 0,88 lb	N / A	N / A



 Merkur Dining Chair, Oak →

 Merkur Dining Chair, Seat Upholstered →

 Merkur Dining Chair w/Armrest, Oak →

 Merkur Dining Chair w/Armrest, Seat Upholstered →



MERKUR DINING CHAIR, OAK
Designed by *Skogstad & Wærnes*

[BACK TO START](#)

CORE

Originally designed for the historic Oslo Stock Exchange and named after the Roman god of trade, Merkur is a contemporary remake of the archetypal dining chair, refined and elegant in its expression thanks to its considered combination of traditional craftsmanship techniques, timeless form and modern function.

PRODUCT OPTIONS

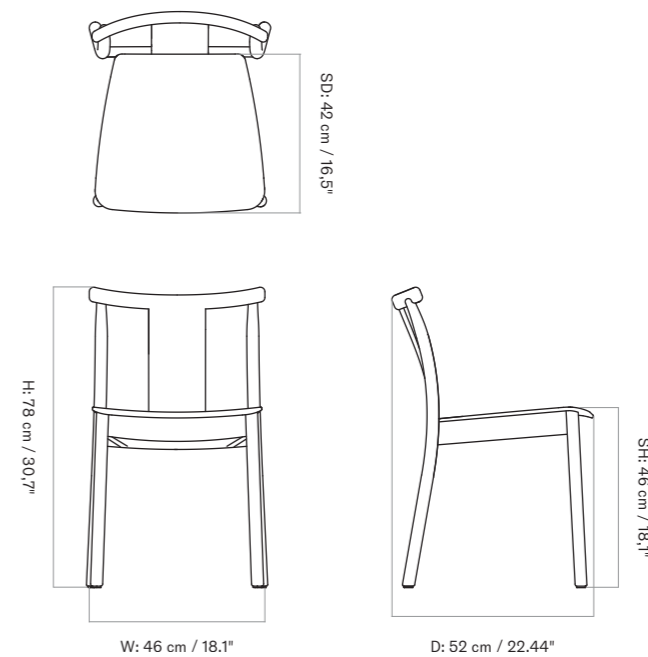


RECOMMENDED COMBINATIONS — PRICES IN SEK
Selected combinations 6–8 weeks delivery time.

SKU	VARIANT	INCL. VAT	EXCL. VAT
130000	MERKUR, DINING CHAIR, NATURAL OAK	6.195,00	4.956,00
130001	MERKUR, DINING CHAIR, BLACK OAK	6.195,00	4.956,00

TECHNICAL SPECIFICATIONS

COLLI	WEIGHT	TEST	CERTIFICATIONS
1	4,3 kg / 9,47 lb	EN16139:2013, L2	TSCA title IV compliant





MERKUR DINING CHAIR, SEAT UPHOLSTERED
Designed by *Skogstad & Wærnes*

[BACK TO START](#)

CORE

Originally designed for the historic Oslo Stock Exchange and named after the Roman god of trade, Merkur is a contemporary remake of the archetypal dining chair, refined and elegant in its expression thanks to its considered combination of traditional craftsmanship techniques, timeless form and modern function.

PRODUCT OPTIONS

Seat



UPHOLSTERED

Solid oak base



NATURAL OAK



BLACK OAK

Spec options

Available in fabrics from our upholstery programme. Standard lead times apply.

For custom upholstery, please refer to the guiding textile/leather consumption:
COM: 0,59 m / 0,649 yds
COL: 0,88 m2 / 9,4776 sqft

Prices excl. custom upholstery are equal to Price Category 1 Textile or Leather. Contact Sales support for approval of custom upholstery and to place your order.

The above textile consumption is only valid for textile rolls with a width equal to or greater than 140 cm. For smaller textile rolls, please contact Sales Support for guidance. For textile with pattern, please expect a higher usage for correct pattern fitting. Please contact Sales Support for guidance.

TECHNICAL SPECIFICATIONS

COLLI

1

WEIGHT

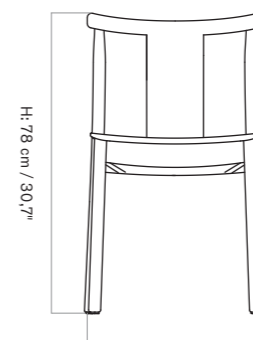
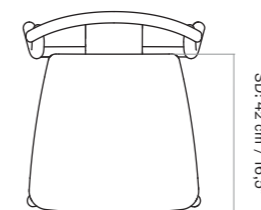
5.3 kg / 11.68 lb

TEST

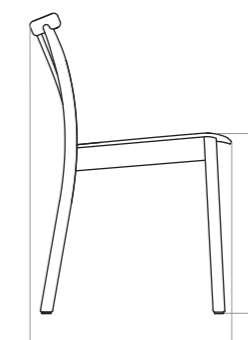
EN16139:2013, L2

CERTIFICATIONS

TSCA title IV compliant



W: 46 cm / 18,1"



D: 52 cm / 22,44"

SH: 46 cm / 18.1"



MERKUR DINING CHAIR, SEAT UPHOLSTERED
Designed by *Skogstad & Wærnes*

[BACK TO START](#)

CORE

SPEC OPTIONS — PRICES IN SEK
6–8 weeks delivery time

SPEC OPTIONS — PRICES IN SEK
6–8 weeks delivery time

SKU	VARIANT	EXCL. VAT
<i>Textile — Natural oak base</i>		
1301000	<i>Price Category 0</i> Audo Bouclé, Audo	5.676,00
1301001	<i>Price Category 1</i> Barnum Bouclé, Audo / Champion, JAB / Illusion, Nevotex / Hot Madison, JAB / Maple, Kvadrat / Remix 3, Kvadrat / Re-wool, Kvadrat	6.236,00
1301002	<i>Price Category 2</i> Canvas 2, Kvadrat / Clay, Kvadrat, Sahco / Colline 2, Kvadrat / Fiord 2, Kvadrat / Hallingdal 65, Kvadrat / Moss, Kvadrat, Sahco / Reflect, Kvadrat / Savanna, Kvadrat / Steelcut 2, Kvadrat / Steelcut Trio 3, Kvadrat	6.796,00
1301003	<i>Price Category 3</i> Arctic, JAB / Safire, Kvadrat, Sahco / Vidar 4, Kvadrat, Sahco / Zero, Kvadrat, Sahco	7.356,00
1301004	<i>Price Category 4</i> Cabanon Soft, Designers Guild / Doppioanama, Dedar / Grand Mohair, Danish Art Weaving / Lupo, Dedar	7.996,00
<i>Leather — Natural oak base</i>		
1301005	<i>Price Category 1</i> Dakar, Nevotex / Envy, Sørensens Leather / Ultra, Sørensens Leather	6.876,00
1301006	<i>Price Category 2</i> Dunes, Sørensens Leather / Nuance, Sørensens Leather	7.516,00
1301007	<i>Price Category 3</i> Royal Nubuck, Sørensens Leather	8.236,00

SKU	VARIANT	EXCL. VAT
<i>Textile — Black oak base</i>		
1302000	<i>Price Category 0</i> Audo Bouclé, Audo	5.676,00
1302001	<i>Price Category 1</i> Barnum Bouclé, Audo / Champion, JAB / Illusion, Nevotex / Hot Madison, JAB / Maple, Kvadrat / Remix 3, Kvadrat / Re-wool, Kvadrat	6.236,00
1302002	<i>Price Category 2</i> Canvas 2, Kvadrat / Clay, Kvadrat, Sahco / Colline 2, Kvadrat / Fiord 2, Kvadrat / Hallingdal 65, Kvadrat / Moss, Kvadrat, Sahco / Reflect, Kvadrat / Savanna, Kvadrat / Steelcut 2, Kvadrat / Steelcut Trio 3, Kvadrat	6.796,00
1302003	<i>Price Category 3</i> Arctic, JAB / Safire, Kvadrat, Sahco / Vidar 4, Kvadrat, Sahco / Zero, Kvadrat, Sahco	7.356,00
1302004	<i>Price Category 4</i> Cabanon Soft, Designers Guild / Doppioanama, Dedar / Grand Mohair, Danish Art Weaving / Lupo, Dedar	7.996,00
<i>Leather — Black oak base</i>		
1302005	<i>Price Category 1</i> Dakar, Nevotex / Envy, Sørensens Leather / Ultra, Sørensens Leather	6.876,00
1302006	<i>Price Category 2</i> Dunes, Sørensens Leather / Nuance, Sørensens Leather	7.516,00
1302007	<i>Price Category 3</i> Royal Nubuck, Sørensens Leather	8.236,00



MERKUR DINING CHAIR W/ARMREST, OAK
Designed by *Skogstad & Wærnes*

[BACK TO START](#)

CORE

Originally designed for the historic Oslo Stock Exchange and named after the Roman god of trade, Merkur is a contemporary remake of the archetypal dining chair, refined and elegant in its expression thanks to its considered combination of traditional craftsmanship techniques, timeless form and modern function.

PRODUCT OPTIONS

Shell



NATURAL OAK

BLACK OAK

Spec options

Available in fabrics from our upholstery programme. Standard lead times apply.

For custom upholstery, please refer to the guiding textile/leather consumption:
COM: 0,59 m / 0,649 yds
COL: 0,88 m² / 9,4776 sqft

Prices excl. custom upholstery are equal to Price Category 1 Textile or Leather. Contact Sales support for approval of custom upholstery and to place your order.

The above textile consumption is only valid for textile rolls with a width equal to or greater than 140 cm. For smaller textile rolls, please contact Sales Support for guidance. For textile with pattern, please expect a higher usage for correct pattern fitting. Please contact Sales Support for guidance.

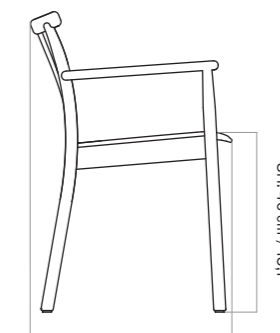
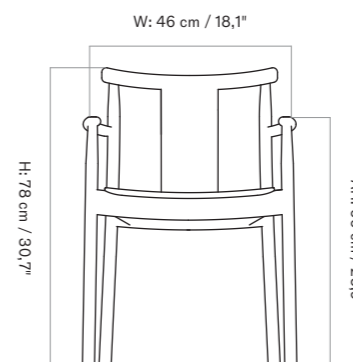
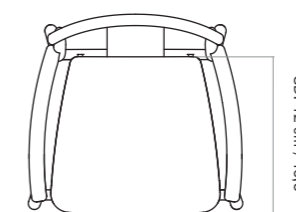


RECOMMENDED COMBINATIONS — PRICES IN SEK
Selected combinations 6–8 weeks delivery time.

SKU	VARIANT	INCL. VAT	EXCL. VAT
130002	MERKUR, DINING CHAIR W/ARMREST, NATURAL OAK	7.495,00	5.996,00
130003	MERKUR, DINING CHAIR W/ARMREST, BLACK OAK	7.495,00	5.996,00

TECHNICAL SPECIFICATIONS

COLLI	WEIGHT	TEST	CERTIFICATIONS
1	5.3 kg / 11.68 lb	EN16139:2013, L2	TSCA title IV compliant



D: 52 cm / 20.44"



MERKUR DINING CHAIR W/ARMREST, SEAT UPHOLSTERED
Designed by *Skogstad & Wærnes*

[BACK TO START](#)

CORE

Originally designed for the historic Oslo Stock Exchange and named after the Roman god of trade, Merkur is a contemporary remake of the archetypal dining chair, refined and elegant in its expression thanks to its considered combination of traditional craftsmanship techniques, timeless form and modern function.

PRODUCT OPTIONS

Seat



UPHOLSTERED

Solid oak base



NATURAL OAK



BLACK OAK

Spec options

Available in fabrics from our upholstery programme. Standard lead times apply.

For custom upholstery, please refer to the guiding textile/leather consumption:
COM: 0,59 m / 0,649 yds
COL: 0,88 m2 / 9,4776 sqft

Prices excl. custom upholstery are equal to Price Category 1 Textile or Leather. Contact Sales support for approval of custom upholstery and to place your order.

The above textile consumption is only valid for textile rolls with a width equal to or greater than 140 cm. For smaller textile rolls, please contact Sales Support for guidance. For textile with pattern, please expect a higher usage for correct pattern fitting. Please contact Sales Support for guidance.

TECHNICAL SPECIFICATIONS

COLLI

1

WEIGHT

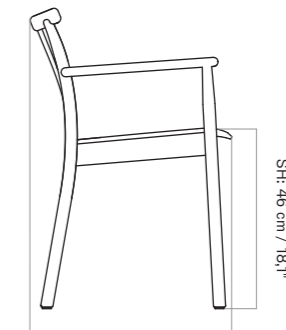
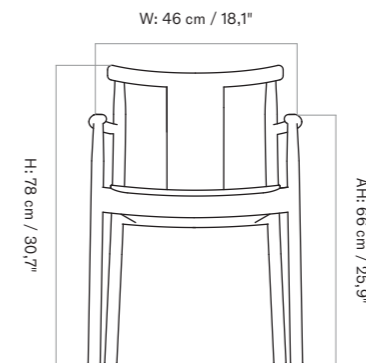
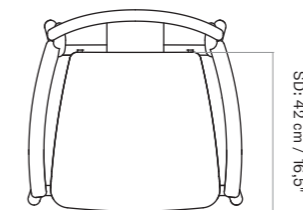
6,3 kg / 13.89 lb

TEST

EN16139:2013, L2

CERTIFICATIONS

TSCA title IV compliant



D: 52 cm / 22.44"



MERKUR DINING CHAIR W/ARMREST, SEAT UPHOLSTERED
Designed by *Skogstad & Wærnes*

[BACK TO START](#)

CORE

SPEC OPTIONS — PRICES IN SEK
6–8 weeks delivery time

SKU	VARIANT	EXCL. VAT
<i>Textile — Natural oak base</i>		
1303000	<i>Price Category 0</i> Audo Bouclé, Audo	6.556,00
1303001	<i>Price Category 1</i> Barnum Bouclé, Audo / Champion, JAB / Illusion, Nevotex / Hot Madison, JAB / Maple, Kvadrat / Remix 3, Kvadrat / Re-wool, Kvadrat	7.116,00
1303002	<i>Price Category 2</i> Canvas 2, Kvadrat / Clay, Kvadrat, Sahco / Colline 2, Kvadrat / Fiord 2, Kvadrat / Hallingdal 65, Kvadrat / Moss, Kvadrat, Sahco / Reflect, Kvadrat / Savanna, Kvadrat / Steelcut 2, Kvadrat / Steelcut Trio 3, Kvadrat	7.676,00
1303003	<i>Price Category 3</i> Arctic, JAB / Safire, Kvadrat, Sahco / Vidar 4, Kvadrat, Sahco / Zero, Kvadrat, Sahco	8.236,00
1303004	<i>Price Category 4</i> Cabanon Soft, Designers Guild / Doppioanama, Dedar / Grand Mohair, Danish Art Weaving / Lupo, Dedar	8.876,00
<i>Leather — Natural oak base</i>		
1303005	<i>Price Category 1</i> Dakar, Nevotex / Envy, Sørensens Leather / Ultra, Sørensens Leather	7.676,00
1303006	<i>Price Category 2</i> Dunes, Sørensens Leather / Nuance, Sørensens Leather	8.316,00
1303007	<i>Price Category 3</i> Royal Nubuck, Sørensens Leather	8.956,00

SPEC OPTIONS — PRICES IN SEK
6–8 weeks delivery time

SKU	VARIANT	EXCL. VAT
<i>Textile — Black oak base</i>		
1304000	<i>Price Category 0</i> Audo Bouclé, Audo	6.556,00
1304001	<i>Price Category 1</i> Barnum Bouclé, Audo / Champion, JAB / Illusion, Nevotex / Hot Madison, JAB / Maple, Kvadrat / Remix 3, Kvadrat / Re-wool, Kvadrat	7.116,00
1304002	<i>Price Category 2</i> Canvas 2, Kvadrat / Clay, Kvadrat, Sahco / Colline 2, Kvadrat / Fiord 2, Kvadrat / Hallingdal 65, Kvadrat / Moss, Kvadrat, Sahco / Reflect, Kvadrat / Savanna, Kvadrat / Steelcut 2, Kvadrat / Steelcut Trio 3, Kvadrat	7.676,00
1304003	<i>Price Category 3</i> Arctic, JAB / Safire, Kvadrat, Sahco / Vidar 4, Kvadrat, Sahco / Zero, Kvadrat, Sahco	8.236,00
1304004	<i>Price Category 4</i> Cabanon Soft, Designers Guild / Doppioanama, Dedar / Grand Mohair, Danish Art Weaving / Lupo, Dedar	8.876,00
<i>Leather — Black oak base</i>		
1304005	<i>Price Category 1</i> Dakar, Nevotex / Envy, Sørensens Leather / Ultra, Sørensens Leather	7.676,00
1304006	<i>Price Category 2</i> Dunes, Sørensens Leather / Nuance, Sørensens Leather	8.316,00
1304007	<i>Price Category 3</i> Royal Nubuck, Sørensens Leather	8.956,00

 The Penguin Dining Chair, Veneer →

 The Penguin Dining Chair, Seat Upholstered →

 The Penguin Dining Chair, Fully Upholstered NEW →

 The Penguin Lounge Chair, Veneer →

 The Penguin Lounge Chair, Seat Upholstered →

 The Penguin Lounge Chair, Fully Upholstered NEW →

 The Penguin Rocking Chair, Veneer →

 The Penguin Rocking Chair, Seat Upholstered →

 The Penguin Rocking Chair, Fully Upholstered NEW →



THE PENGUIN DINING CHAIR, VENEER
Designed by *Ib Kofod-Larsen*

[BACK TO START](#)

ICONS

An iconic, mid-century design from the hand of Ib Kofod-Larsen, the Penguin Dining Chair continues to offer unparalleled sitting comfort and elegance thanks to its considered combination of ergonomic form, quality craftsmanship and premium materials.



PRODUCT OPTIONS

Shell

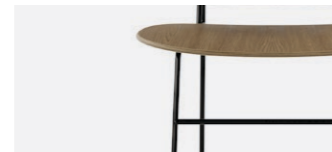


NATURAL OAK



WALNUT

Steel base



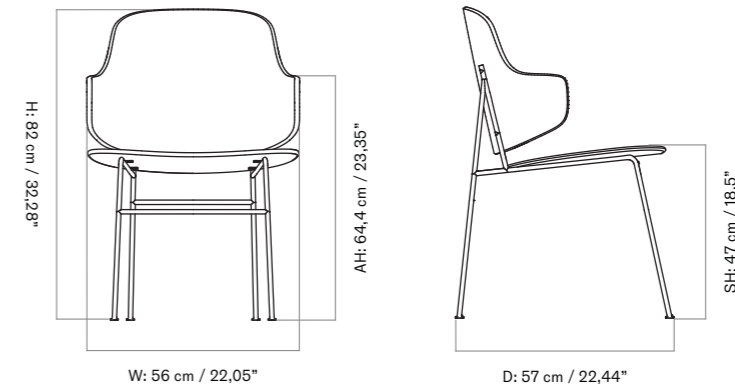
BLACK POWDER COATED STEEL

RECOMMENDED COMBINATIONS — PRICES IN SEK
Selected combinations 6–8 weeks delivery time.

SKU	VARIANT	INCL. VAT	EXCL. VAT
1201025	THE PENGUIN DINING CHAIR / BLACK STEEL / NATURAL OAK	5.495,00	4.396,00
1201026	THE PENGUIN DINING CHAIR / BLACK STEEL / WALNUT	6.795,00	5.436,00

TECHNICAL SPECIFICATIONS

COLLI	WEIGHT	TEST	CERTIFICATIONS
1	13,5 kg / 29,7 lb	EN16139:2013, L2	Crafted from FSC certified plywood





THE PENGUIN DINING CHAIR, UPHOLSTERED SEAT
Designed by *Ib Kofod-Larsen*

[BACK TO START](#)

ICONS

An iconic, mid-century design from the hand of Ib Kofod-Larsen, the Penguin Dining Chair continues to offer unparalleled sitting comfort and elegance thanks to its considered combination of ergonomic form, quality craftsmanship and premium materials.



PRODUCT OPTIONS

Shell



NATURAL OAK

WALNUT

Steel base



BLACK POWDER COATED STEEL

Spec options

Available in fabrics from our upholstery programme. Standard lead times apply.

For custom upholstery, please refer to the guiding textile/leather consumption:
COM: 0,65 m / 0,715 yds
COL: 0,5 m² / 5,385 sqft

Prices excl. custom upholstery are equal to Price Category 1 Textile or Leather. Contact Sales support for approval of custom upholstery and to place your order.

The above textile consumption is only valid for textile rolls with a width equal to or greater than 140 cm. For smaller textile rolls, please contact Sales Support for guidance. For textile with pattern, please expect a higher usage for correct pattern fitting. Please contact Sales Support for guidance.

TECHNICAL SPECIFICATIONS

COLLI

1

WEIGHT

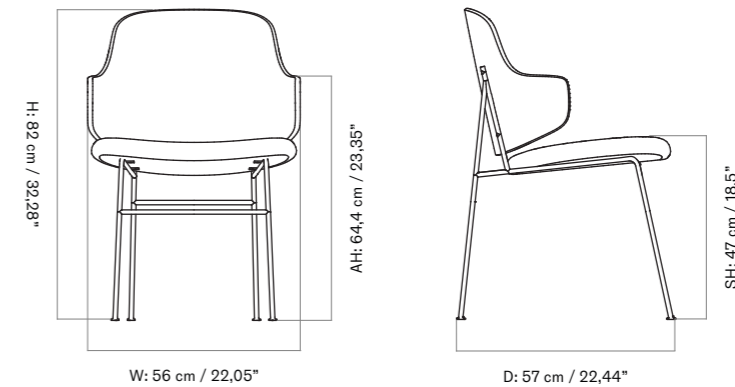
13,5 kg / 29,7 lb

TEST

EN16139:2013, L2

CERTIFICATIONS

Crafted from FSC certified plywood





THE PENGUIN DINING CHAIR, UPHOLSTERED SEAT
Designed by *Ib Kofod-Larsen*

[BACK TO START](#)

ICONS

SPEC OPTIONS — PRICES IN SEK
6–8 weeks delivery time

SPEC OPTIONS — PRICES IN SEK
6–8 weeks delivery time

SKU	VARIANT	EXCL. VAT
<i>Textile — Oak base</i>		
1200000	<i>Price Category 0</i> Audo Bouclé, Audo	6.306,67
1200001	<i>Price Category 1</i> Barnum Bouclé, Audo / Champion, JAB / Illusion, Nevotex / Hot Madison, JAB / Remix 3, Kvadrat / Re-wool, Kvadrat	6.928,89
1200002	<i>Price Category 2</i> Canvas 2, Kvadrat / Clay, Kvadrat, Sahco / Colline 2, Kvadrat / Fiord 2, Kvadrat / Hallingdal 65, Kvadrat / Moss, Kvadrat, Sahco / Reflect, Kvadrat / Savanna, Kvadrat / Steelcut 2, Kvadrat / Steelcut Trio 3, Kvadrat	7.195,56
1200003	<i>Price Category 3</i> Arctic, JAB / Safire, Kvadrat, Sahco / Vidar 4, Kvadrat, Sahco / Zero, Kvadrat, Sahco	7.284,44
1200004	<i>Price Category 4</i> Doppiopanama, Dedar / Grand Mohair, Danish Art Weaving / Lupo, Dedar	7.640,00
<i>Leather — Oak base</i>		
1200005	<i>Price Category 1</i> Dakar, Nevotex / Envy, Sørensen Leather / Ultra, Sørensen Leather	8.351,11
1200006	<i>Price Category 2</i> Dunes, Sørensen Leather / Nuance, Sørensen Leather	10.128,89
1200007	<i>Price Category 3</i> Royal Nubuck, Sørensen Leather	11.906,67
1200008	<i>Price Category 4</i> Elegance, Sørensen Leather	13.595,56

SKU	VARIANT	EXCL. VAT
<i>Textile — Walnut base</i>		
1201000	<i>Price Category 0</i> Audo Bouclé, Audo	7.017,78
1201001	<i>Price Category 1</i> Barnum Bouclé, Audo / Champion, JAB / Illusion, Nevotex / Hot Madison, JAB / Remix 3, Kvadrat / Re-wool, Kvadrat	7.284,44
1201002	<i>Price Category 2</i> Canvas 2, Kvadrat / Clay, Kvadrat, Sahco / Colline 2, Kvadrat / Fiord 2, Kvadrat / Hallingdal 65, Kvadrat / Moss, Kvadrat, Sahco / Reflect, Kvadrat / Savanna, Kvadrat / Steelcut 2, Kvadrat / Steelcut Trio 3, Kvadrat	7.640,00
1201003	<i>Price Category 3</i> Arctic, JAB / Safire, Kvadrat, Sahco / Vidar 4, Kvadrat, Sahco / Zero, Kvadrat, Sahco	7.995,56
1201004	<i>Price Category 4</i> Doppiopanama, Dedar / Grand Mohair, Danish Art Weaving / Lupo, Dedar	8.262,22
<i>Leather — Walnut base</i>		
1201005	<i>Price Category 1</i> Dakar, Nevotex / Envy, Sørensen Leather / Ultra, Sørensen Leather	8.884,44
1201006	<i>Price Category 2</i> Dunes, Sørensen Leather / Nuance, Sørensen Leather	10.662,22
1201007	<i>Price Category 3</i> Royal Nubuck, Sørensen Leather	12.528,89
1201008	<i>Price Category 4</i> Elegance, Sørensen Leather	14.395,56



THE PENGUIN DINING CHAIR, FULLY UPHOLSTERED
Designed by *Ib Kofod-Larsen*

[BACK TO START](#)

ICONS

An iconic, mid-century design from the hand of Ib Kofod-Larsen, the Penguin Dining Chair continues to offer unparalleled sitting comfort and elegance thanks to its considered combination of ergonomic form, quality craftsmanship and premium materials.



PRODUCT OPTIONS

Seat and backrest



UPHOLSTERED

Steel base



BLACK POWDER COATED STEEL

Spec options

Available in fabrics from our upholstery programme. Standard lead times apply.

For custom upholstery, please refer to the guiding textile/leather consumption:
COM: 0,65 m / 0,715 yds
COL: 0,5 m² / 5,385 sqft

Prices excl. custom upholstery are equal to Price Category 1 Textile or Leather. Contact Sales support for approval of custom upholstery and to place your order.

The above textile consumption is only valid for textile rolls with a width equal to or greater than 140 cm. For smaller textile rolls, please contact Sales Support for guidance. For textile with pattern, please expect a higher usage for correct pattern fitting. Please contact Sales Support for guidance.

TECHNICAL SPECIFICATIONS

COLLI

1

WEIGHT

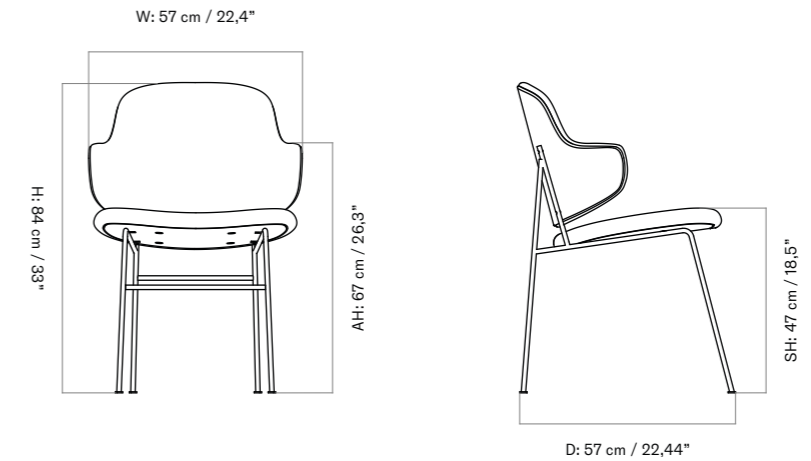
13,5 kg / 29,7 lb

TEST

EN16139:2013, L2

CERTIFICATIONS

Crafted from FSC certified plywood





THE PENGUIN DINING CHAIR, FULLY UPHOLSTERED
Designed by *Ib Kofod-Larsen*

[BACK TO START](#)

ICONS

SPEC OPTIONS — PRICES IN SEK
6–8 weeks delivery time

SKU	VARIANT	EXCL. VAT
<i>Textile — Upholstered</i>		
1229000	<i>Price Category 0</i> Audo Bouclé, Audo	8.528,89
1229001	<i>Price Category 1</i> Barnum Bouclé, Audo / Champion, JAB / Illusion, Nevotex / Hot Madison, JAB / Remix 3, Kvadrat / Re-wool, Kvadrat	8.884,44
1229002	<i>Price Category 2</i> Canvas 2, Kvadrat / Clay, Kvadrat, Sahco / Colline 2, Kvadrat / Fiord 2, Kvadrat / Hallingdal 65, Kvadrat / Moss, Kvadrat, Sahco / Reflect, Kvadrat / Savanna, Kvadrat / Steelcut 2, Kvadrat / Steelcut Trio 3, Kvadrat	9.240,00
1229003	<i>Price Category 3</i> Arctic, JAB / Safire, Kvadrat, Sahco / Vidar 4, Kvadrat, Sahco / Zero, Kvadrat, Sahco	9.773,33
1229004	<i>Price Category 4</i> Doppiopanama, Dedar / Grand Mohair, Danish Art Weaving / Lupo, Dedar	10.128,89
<i>Leather — Upholstered</i>		
1229005	<i>Price Category 1</i> Dakar, Nevotex / Envy, Sørensen Leather / Ultra, Sørensen Leather	10.928,89
1229006	<i>Price Category 2</i> Dunes, Sørensen Leather / Nuance, Sørensen Leather	12.795,56
1229007	<i>Price Category 3</i> Royal Nubuck, Sørensen Leather	14.573,33
1229008	<i>Price Category 4</i> Elegance, Sørensen Leather	16.440,00



ICONS

THE PENGUIN LOUNGE CHAIR, VENEER

Designed by *Ib Kofod-Larsen*

[BACK TO START](#)

A mid-century bestseller from the hand of Ib Kofod-Larsen, The Penguin Dining Chair remains as popular today as when it was first introduced in 1953. Light and elegant with its curved wooden back and seat, it continues to offer unparalleled sitting comfort.

PRODUCT OPTIONS

Shell

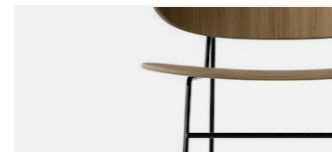


NATURAL OAK



WALNUT

Steel base



BLACK POWDER COATED STEEL



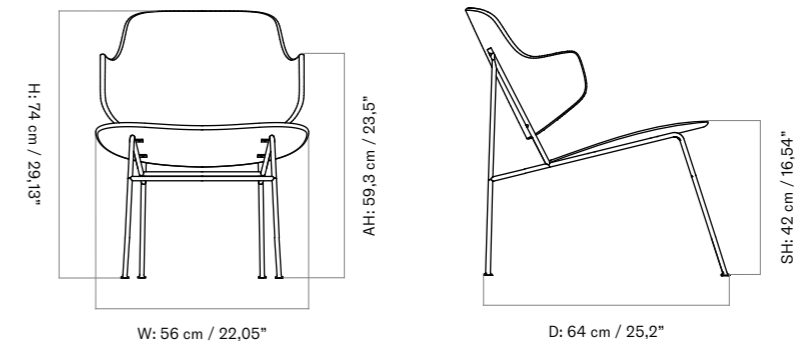
RECOMMENDED COMBINATIONS — PRICES IN SEK

Selected combinations 6–8 weeks delivery time.

SKU	VARIANT	INCL. VAT	EXCL. VAT
1203025	THE PENGUIN LOUNGE CHAIR / BLACK STEEL / NATURAL OAK	8.195,00	6.556,00
1203026	THE PENGUIN LOUNGE CHAIR / BLACK STEEL / WALNUT	8.895,00	7.116,00

TECHNICAL SPECIFICATIONS

COLLI	WEIGHT	TEST	CERTIFICATIONS
1	13 kg / 28,6 lb	EN16139:2013, L2	Crafted from FSC certified plywood





THE PENGUIN LOUNGE CHAIR, UPHOLSTERED SEAT
Designed by *Ib Kofod-Larsen*

[BACK TO START](#)

ICONS

An iconic, mid-century design from the hand of Ib Kofod-Larsen, the Penguin Dining Chair continues to offer unparalleled sitting comfort and elegance thanks to its considered combination of ergonomic form, quality craftsmanship and premium materials.



PRODUCT OPTIONS

Shell

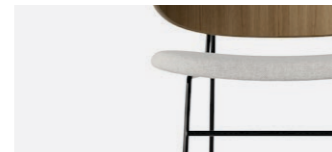


NATURAL OAK



WALNUT

Steel base



BLACK POWDER COATED STEEL

Spec options

Available in fabrics from our upholstery programme. Standard lead times apply.

For custom upholstery, please refer to the guiding textile/leather consumption:

COM: 0,65 m / 0,715 yds

COL: 0,5 m² / 5,385 sqft

Prices excl. custom upholstery are equal to Price Category 1 Textile or Leather. Contact Sales support for approval of custom upholstery and to place your order.

The above textile consumption is only valid for textile rolls with a width equal to or greater than 140 cm. For smaller textile rolls, please contact Sales Support for guidance. For textile with pattern, please expect a higher usage for correct pattern fitting. Please contact Sales Support for guidance.

TECHNICAL SPECIFICATIONS

COLLI

1

WEIGHT

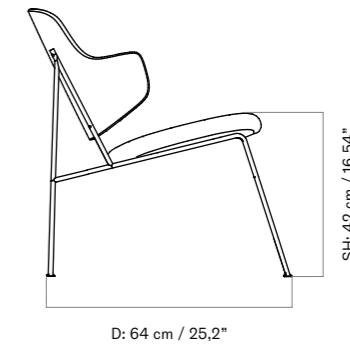
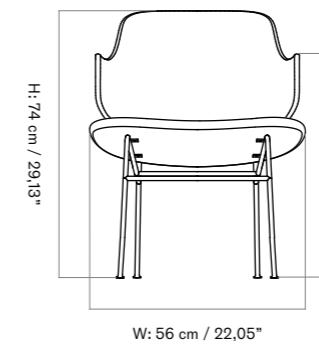
13 kg / 28,6 lb

TEST

EN16139:2013, L2

CERTIFICATIONS

Crafted from FSC certified plywood





THE PENGUIN LOUNGE CHAIR, UPHOLSTERED SEAT
Designed by *Ib Kofod-Larsen*

[BACK TO START](#)

ICONS

SPEC OPTIONS — PRICES IN SEK
6–8 weeks delivery time

SKU	VARIANT	EXCL. VAT
<i>Textile — Oak base</i>		
1202000	<i>Price Category 0</i> Audo Bouclé, Audo	8.884,44
1202001	<i>Price Category 1</i> Barnum Bouclé, Audo / Champion, JAB / Illusion, Nevotex / Hot Madison, JAB / Remix 3, Kvadrat / Re-wool, Kvadrat	9.328,89
1202002	<i>Price Category 2</i> Canvas 2, Kvadrat / Clay, Kvadrat, Sahco / Colline 2, Kvadrat / Fiord 2, Kvadrat / Hallingdal 65, Kvadrat / Moss, Kvadrat, Sahco / Reflect, Kvadrat / Savanna, Kvadrat / Steelcut 2, Kvadrat / Steelcut Trio 3, Kvadrat	9.862,22
1202003	<i>Price Category 3</i> Arctic, JAB / Safire, Kvadrat, Sahco / Vidar 4, Kvadrat, Sahco / Zero, Kvadrat, Sahco	10.217,78
1202004	<i>Price Category 4</i> Doppiopanama, Dedar / Grand Mohair, Danish Art Weaving / Lupo, Dedar	10.662,22
<i>Leather — Oak base</i>		
1202004	<i>Price Category 1</i> Dakar, Nevotex / Envy, Sørensens Leather / Ultra, Sørensens Leather	10.662,22
1202005	<i>Price Category 2</i> Dunes, Sørensens Leather / Nuance, Sørensens Leather	11.462,22
1202006	<i>Price Category 3</i> Royal Nubuck, Sørensens Leather	13.151,11
1202007	<i>Price Category 4</i> Elegance, Sørensens Leather	14.928,89

SPEC OPTIONS — PRICES IN SEK
6–8 weeks delivery time

SKU	VARIANT	EXCL. VAT
<i>Textile — Walnut base</i>		
1203000	<i>Price Category 0</i> Audo Bouclé, Audo	9.595,56
1203001	<i>Price Category 1</i> Barnum Bouclé, Audo / Champion, JAB / Illusion, Nevotex / Hot Madison, JAB / Remix 3, Kvadrat / Re-wool, Kvadrat	9.951,11
1203002	<i>Price Category 2</i> Canvas 2, Kvadrat / Clay, Kvadrat, Sahco / Colline 2, Kvadrat / Fiord 2, Kvadrat / Hallingdal 65, Kvadrat / Moss, Kvadrat, Sahco / Reflect, Kvadrat / Savanna, Kvadrat / Steelcut 2, Kvadrat / Steelcut Trio 3, Kvadrat	10.573,33
1203003	<i>Price Category 3</i> Arctic, JAB / Safire, Kvadrat, Sahco / Vidar 4, Kvadrat, Sahco / Zero, Kvadrat, Sahco	10.928,89
1203004	<i>Price Category 4</i> Doppiopanama, Dedar / Grand Mohair, Danish Art Weaving / Lupo, Dedar	11.284,44
<i>Leather — Walnut base</i>		
1203005	<i>Price Category 1</i> Dakar, Nevotex / Envy, Sørensens Leather / Ultra, Sørensens Leather	12.173,33
1203006	<i>Price Category 2</i> Dunes, Sørensens Leather / Nuance, Sørensens Leather	13.773,33
1203007	<i>Price Category 3</i> Royal Nubuck, Sørensens Leather	15.551,11
1203008	<i>Price Category 4</i> Elegance, Sørensens Leather	17.417,78



THE PENGUIN LOUNGE CHAIR, FULLY UPHOLSTERED

Designed by *Ib Kofod-Larsen*

[BACK TO START](#)

ICONS

An iconic, mid-century design from the hand of Ib Kofod-Larsen, the Penguin Lounge Chair continues to offer unparalleled sitting comfort and elegance thanks to its considered combination of ergonomic form, quality craftsmanship and premium materials.

PRODUCT OPTIONS

Seat and backrest



UPHOLSTERED

Steel base



BLACK POWDER COATED STEEL

Spec options

Available in fabrics from our upholstery programme. Standard lead times apply.

For custom upholstery, please refer to the guiding

textile/leather consumption:

COM: 0,65 m / 0,715 yds

COL: 0,5 m² / 5,385 sqft

Prices excl. custom upholstery are equal to Price Category 1 Textile or Leather. Contact Sales support for approval of custom upholstery and to place your order.

The above textile consumption is only valid for textile rolls with a width equal to or greater than 140 cm. For smaller textile rolls, please contact Sales Support for guidance. For textile with pattern, please expect a higher usage for correct pattern fitting. Please contact Sales Support for guidance.

TECHNICAL SPECIFICATIONS

COLLI

1

WEIGHT

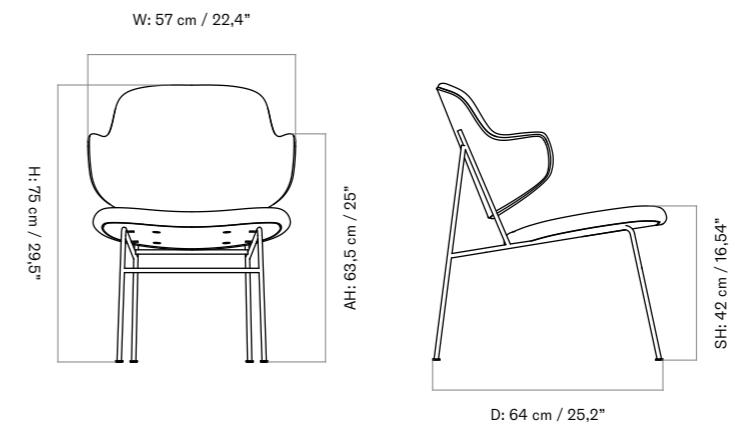
13,5 kg / 29,7 lb

TEST

EN16139:2013, L2

CERTIFICATIONS

Crafted from FSC certified plywood





THE PENGUIN LOUNGE CHAIR, FULLY UPHOLSTERED
Designed by *Ib Kofod-Larsen*

[BACK TO START](#)

ICONS

SPEC OPTIONS — PRICES IN SEK
6–8 weeks delivery time

SKU	VARIANT	EXCL. VAT
<i>Textile — Upholstered</i>		
1230000	<i>Price Category 0</i> Audo Bouclé, Audo	11.284,44
1230001	<i>Price Category 1</i> Barnum Bouclé, Audo / Champion, JAB / Illusion, Nevotex / Hot Madison, JAB / Remix 3, Kvadrat / Re-wool, Kvadrat	11.817,78
1230002	<i>Price Category 2</i> Canvas 2, Kvadrat / Clay, Kvadrat, Sahco / Colline 2, Kvadrat / Fiord 2, Kvadrat / Hallingdal 65, Kvadrat / Moss, Kvadrat, Sahco / Reflect, Kvadrat / Savanna, Kvadrat / Steelcut 2, Kvadrat / Steelcut Trio 3, Kvadrat	12.262,22
1230003	<i>Price Category 3</i> Arctic, JAB / Safire, Kvadrat, Sahco / Vidar 4, Kvadrat, Sahco / Zero, Kvadrat, Sahco	12.617,78
1230004	<i>Price Category 4</i> Doppiopanama, Dedar / Grand Mohair, Danish Art Weaving / Lupo, Dedar	13.151,11
<i>Leather — Upholstered</i>		
1230005	<i>Price Category 1</i> Dakar, Nevotex / Envy, Sørensens Leather / Ultra, Sørensens Leather	13.862,22
1230006	<i>Price Category 2</i> Dunes, Sørensens Leather / Nuance, Sørensens Leather	15.551,11
1230007	<i>Price Category 3</i> Royal Nubuck, Sørensens Leather	17.417,78
1230008	<i>Price Category 4</i> Elegance, Sørensens Leather	19.106,67



THE PENGUIN ROCKING CHAIR, VENEER

Designed by *Ib Kofod-Larsen*

[BACK TO START](#)

ICONS

A mid-century bestseller from the hand of Ib Kofod-Larsen, The Penguin Dining Chair remains as popular today as when it was first introduced in 1953. Light and elegant with its curved wooden back and seat, it continues to offer unparalleled sitting comfort.

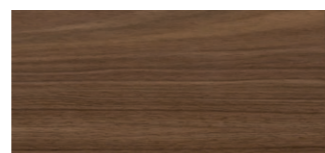


PRODUCT OPTIONS

Shell

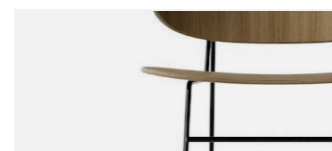


NATURAL OAK



WALNUT

Steel base



BLACK POWDER COATED STEEL

Steel base



BLACK ASH

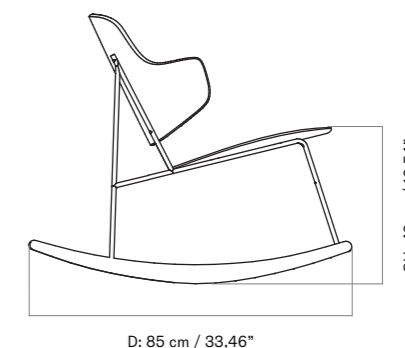
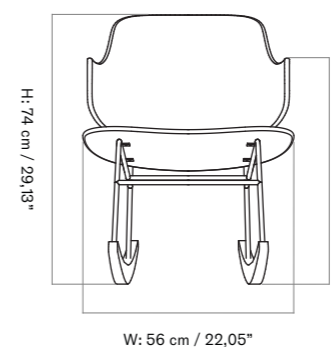
RECOMMENDED COMBINATIONS — PRICES IN SEK

Selected combinations 6–8 weeks delivery time.

SKU	VARIANT	INCL. VAT	EXCL. VAT
1206025-01ZZZZZ	THE PENGUIN, ROCKING CHAIR / BLACK STEEL / NATURAL OAK / SOLID BLACK ASH ROCKER	9.595,00	7.676,00
1206026-00ZZZZZ	THE PENGUIN, ROCKING CHAIR / BLACK STEEL / WALNUT / SOLID BLACK ASH ROCKER	10.295,00	8.236,00

TECHNICAL SPECIFICATIONS

COLLI	WEIGHT	TEST	CERTIFICATIONS
1	16 kg / 35,27 lb	EN16139:2013, L2	Crafted from FSC certified plywood





THE PENGUIN ROCKING CHAIR, UPHOLSTERED SEAT

Designed by *Ib Kofod-Larsen*

[BACK TO START](#)

ICONS

A mid-century bestseller from the hand of Ib Kofod-Larsen, The Penguin Dining Chair remains as popular today as when it was first introduced in 1953. Light and elegant with its curved wooden back and seat, it continues to offer unparalleled sitting comfort.



PRODUCT OPTIONS

Shell

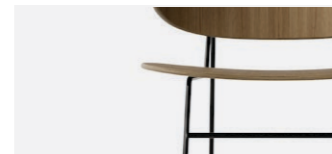


NATURAL OAK



WALNUT

Steel base



BLACK POWDER COATED STEEL

Steel base



BLACK ASH

Spec options

Available in fabrics from our upholstery programme. Standard lead times apply.

For custom upholstery, please refer to the guiding textile/leather consumption:
COM: 0,65 m / 0,715 yds
COL: 0,5 m² / 5,385 sqft

Prices excl. custom upholstery are equal to Price Category 1 Textile or Leather. Contact Sales support for approval of custom upholstery and to place your order.

The above textile consumption is only valid for textile rolls with a width equal to or greater than 140 cm. For smaller textile rolls, please contact Sales Support for guidance. For textile with pattern, please expect a higher usage for correct pattern fitting. Please contact Sales Support for guidance.

TECHNICAL SPECIFICATIONS

COLLI

1

WEIGHT

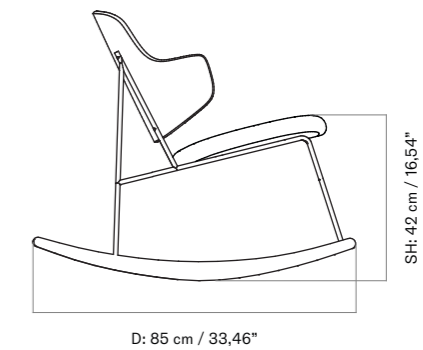
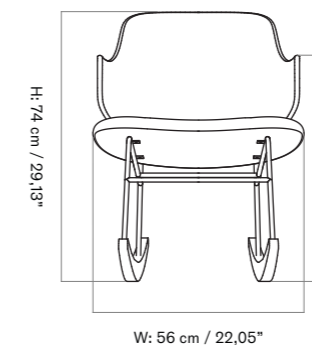
16 kg / 35,27 lb

TEST

EN16139:2013, L2

CERTIFICATIONS

Crafted from FSC certified plywood





THE PENGUIN ROCKING CHAIR, UPHOLSTERED SEAT
Designed by *Ib Kofod-Larsen*

[BACK TO START](#)

ICONS

SPEC OPTIONS — PRICES IN SEK
6–8 weeks delivery time

SKU	VARIANT	EXCL. VAT
<i>Textile — Oak base</i>		
1204000	<i>Price Category 0</i> Audo Bouclé, Audo	10.217,78
1204001	<i>Price Category 1</i> Barnum Bouclé, Audo / Champion, JAB / Illusion, Nevotex / Hot Madison, JAB / Remix 3, Kvadrat / Re-wool, Kvadrat	10.662,22
1204002	<i>Price Category 2</i> Canvas 2, Kvadrat / Clay, Kvadrat, Sahco / Colline 2, Kvadrat / Fiord 2, Kvadrat / Hallingdal 65, Kvadrat / Moss, Kvadrat, Sahco / Reflect, Kvadrat / Savanna, Kvadrat / Steelcut 2, Kvadrat / Steelcut Trio 3, Kvadrat	11.106,67
1204003	<i>Price Category 3</i> Arctic, JAB / Safire, Kvadrat, Sahco / Vidar 4, Kvadrat, Sahco / Zero, Kvadrat, Sahco	11.551,11
1204004	<i>Price Category 4</i> Doppiopanama, Dedar / Grand Mohair, Danish Art Weaving / Lupo, Dedar	12.084,44
<i>Leather — Oak base</i>		
1204005	<i>Price Category 1</i> Dakar, Nevotex / Envy, Sørensen Leather / Ultra, Sørensen Leather	12.795,56
1204006	<i>Price Category 2</i> Dunes, Sørensen Leather / Nuance, Sørensen Leather	14.484,44
1204007	<i>Price Category 3</i> Royal Nubuck, Sørensen Leather	16.173,33
1204008	<i>Price Category 4</i> Elegance, Sørensen Leather	18.040,00

SPEC OPTIONS — PRICES IN SEK
6–8 weeks delivery time

SKU	VARIANT	EXCL. VAT
<i>Textile — Walnut base</i>		
1206000	<i>Price Category 0</i> Audo Bouclé, Audo	10.840,00
1206001	<i>Price Category 1</i> Barnum Bouclé, Audo / Champion, JAB / Illusion, Nevotex / Hot Madison, JAB / Remix 3, Kvadrat / Re-wool, Kvadrat	11.462,22
1206002	<i>Price Category 2</i> Canvas 2, Kvadrat / Clay, Kvadrat, Sahco / Colline 2, Kvadrat / Fiord 2, Kvadrat / Hallingdal 65, Kvadrat / Moss, Kvadrat, Sahco / Reflect, Kvadrat / Savanna, Kvadrat / Steelcut 2, Kvadrat / Steelcut Trio 3, Kvadrat	11.906,67
1206003	<i>Price Category 3</i> Arctic, JAB / Safire, Kvadrat, Sahco / Vidar 4, Kvadrat, Sahco / Zero, Kvadrat, Sahco	12.173,33
1206004	<i>Price Category 4</i> Doppiopanama, Dedar / Grand Mohair, Danish Art Weaving / Lupo, Dedar	12.617,78
<i>Leather — Walnut base</i>		
1206005	<i>Price Category 1</i> Dakar, Nevotex / Envy, Sørensen Leather / Ultra, Sørensen Leather	13.240,00
1206006	<i>Price Category 2</i> Dunes, Sørensen Leather / Nuance, Sørensen Leather	15.106,67
1206007	<i>Price Category 3</i> Royal Nubuck, Sørensen Leather	16.884,44
1206008	<i>Price Category 4</i> Elegance, Sørensen Leather	18.662,22



THE PENGUIN ROCKING CHAIR, FULLY UPHOLSTERED

Designed by *Ib Kofod-Larsen*

[BACK TO START](#)

ICONS

An iconic, mid-century design from the hand of Ib Kofod-Larsen, the Penguin Rocking Chair continues to offer unparalleled sitting comfort and elegance thanks to its considered combination of ergonomic form, quality craftsmanship and premium materials.

PRODUCT OPTIONS

Seat and backrest



UPHOLSTERED

Steel base



BLACK POWDER COATED STEEL

Rocker



BLACK ASH

Spec options

Available in fabrics from our upholstery programme. Standard lead times apply.

For custom upholstery, please refer to the guiding

textile/leather consumption:

COM: 0,65 m / 0,715 yds

COL: 0,5 m² / 5,385 sqft

Prices excl. custom upholstery are equal to Price Category 1 Textile or Leather. Contact Sales support for approval of custom upholstery and to place your order.

The above textile consumption is only valid for textile rolls with a width equal to or greater than 140 cm. For smaller textile rolls, please contact Sales Support for guidance. For textile with pattern, please expect a higher usage for correct pattern fitting. Please contact Sales Support for guidance.

TECHNICAL SPECIFICATIONS

COLLI

1

WEIGHT

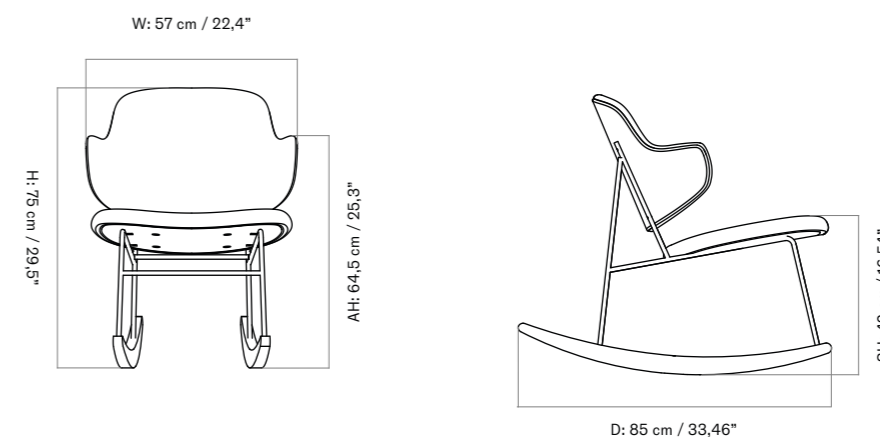
16 kg / 35,27 lb

TEST

EN16139:2013, L2

CERTIFICATIONS

Crafted from FSC certified plywood





THE PENGUIN ROCKING CHAIR, FULLY UPHOLSTERED
Designed by *Ib Kofod-Larsen*

[BACK TO START](#)

ICONS

SPEC OPTIONS — PRICES IN SEK
6–8 weeks delivery time

SKU	VARIANT	EXCL. VAT
<i>Textile — Upholstered</i>		
1231000	<i>Price Category 0</i> Audo Bouclé, Audo	13.240,00
1231001	<i>Price Category 1</i> Barnum Bouclé, Audo / Champion, JAB / Illusion, Nevotex / Hot Madison, JAB / Remix 3, Kvadrat / Re-wool, Kvadrat	13.773,33
1231002	<i>Price Category 2</i> Canvas 2, Kvadrat / Clay, Kvadrat, Sahco / Colline 2, Kvadrat / Fiord 2, Kvadrat / Hallingdal 65, Kvadrat / Moss, Kvadrat, Sahco / Reflect, Kvadrat / Savanna, Kvadrat / Steelcut 2, Kvadrat / Steelcut Trio 3, Kvadrat	14.128,89
1231003	<i>Price Category 3</i> Arctic, JAB / Safire, Kvadrat, Sahco / Vidar 4, Kvadrat, Sahco / Zero, Kvadrat, Sahco	14.573,33
1231004	<i>Price Category 4</i> Doppiopanama, Dedar / Grand Mohair, Danish Art Weaving / Lupo, Dedar	15.106,67
<i>Leather — Upholstered</i>		
1231005	<i>Price Category 1</i> Dakar, Nevotex / Envy, Sørensen Leather / Ultra, Sørensen Leather	15.817,78
1231006	<i>Price Category 2</i> Dunes, Sørensen Leather / Nuance, Sørensen Leather	17.506,67
1231007	<i>Price Category 3</i> Royal Nubuck, Sørensen Leather	19.195,56
1231008	<i>Price Category 4</i> Elegance, Sørensen Leather	21.062,22

 [WM String Dining Chair](#) →

 [WM String Lounge Chair](#) →

 [WM String Cushion](#) →



WM STRING DINING CHAIR
Designed by *Studio WM*

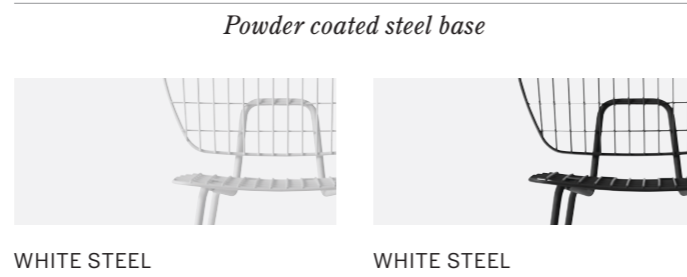
[BACK TO START](#)

CORE

Tubular powder coated steel chair with inverted backrest.

PRODUCT OPTIONS

STOCK OPTIONS — PRICES IN SEK



SKU	VARIANT	EXCL. VAT
9520639	WM STRING DINING CHAIR, WHITE STEEL	2.636,00
9520539	WM STRING DINING CHAIR, BLACK STEEL	2.636,00



TECHNICAL SPECIFICATIONS

COLLI	WEIGHT	TEST	CERTIFICATIONS
2	4,3 kg / 9,5 lb	EN 1022:2005, L1 EN 16139:2013, L1	N / A





WM STRING LOUNGE CHAIR
Designed by *Studio WM*

[BACK TO START](#)

CORE

Tubular powder coated steel chair with inverted backrest.

PRODUCT OPTIONS

STOCK OPTIONS — PRICES IN SEK

Powder coated steel base



BLACK STEEL



SKU	VARIANT	EXCL. VAT
9500539	WM STRING LOUNGE CHAIR, BLACK STEEL	2.876,00

TECHNICAL SPECIFICATIONS

COLLI	WEIGHT	TEST	CERTIFICATIONS
2	4,9 kg / 10,8 lb	EN 1022:2005, L1 EN 16139:2013, L1	N / A





WM STRING CUSHION
Designed by *Studio WM*

[BACK TO START](#)

CORE

Versatile and durable, use WM String Cushion inside or outdoors.inverted backrest.

PRODUCT OPTIONS

STOCK OPTIONS — PRICES IN SEK

Cushion - WM String dining chair



INDOOR, LIGHT GREY
9575130



OUTDOOR, DARK GREY
9585150

Cushion - WM String lounge chair



OUTDOOR, DARK GREY
9586150

SKU	VARIANT	EXCL. VAT
9575130	WM STRING DINING CHAIR, CUSHION, INDOOR / LIGHT GREY	804,00
9585150	WM STRING DINING CHAIR, CUSHION, OUTDOOR / DARK GREY	804,00
9586150	WM STRING LOUNGE CHAIR, CUSHION, OUTDOOR / DARK GREY	804,00

TECHNICAL SPECIFICATIONS

COLLI	WEIGHT	TEST	CERTIFICATIONS
2	Dining: 300 g / 0,7 lb Lounge: 350 g / 0,8 lb	N / A	N / A

COUNTER CHAIR

BAR CHAIR



Afteroom Counter Chair



Afteroom Bar Chair



Afteroom Counter Chair Plus



Afteroom Bar Chair Plus





AFTERROOM COUNTER CHAIR

Designed by *Afteroom*

[BACK TO START](#)

CORE

Counter chair with tubular powder coated steel, with extended backrest in veneer. Available with or without upholstered seat.



PRODUCT OPTIONS

Seat



WITH UPHOLSTERY

Powder coated steel base



BLACK STEEL

Spec options

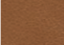

Available in fabrics from our upholstery programme. Standard lead times apply.

For custom upholstery, please refer to the guiding textile/leather consumption:
COM: 0,54 m / 0,594 yds
COL: 0,45 m² / 4,8465 sqft

Prices excl. custom upholstery are equal to Price Category 1 Textile or Leather. Contact Sales support for approval of custom upholstery and to place your order.

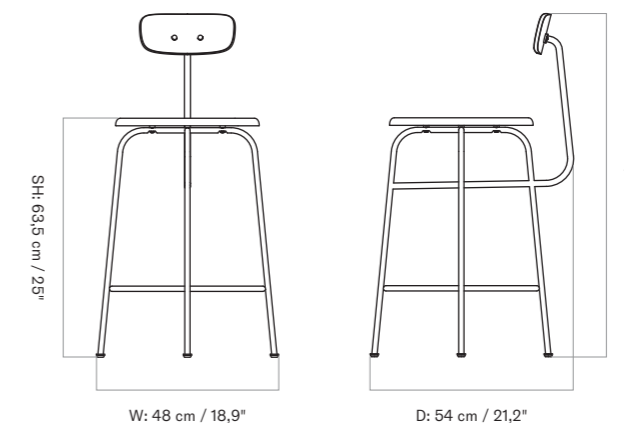
The above textile consumption is only valid for textile rolls with a width equal to or greater than 140 cm. For smaller textile rolls, please contact Sales Support for guidance. For textile with pattern, please expect a higher usage for correct pattern fitting. Please contact Sales Support for guidance.

QUICK SHIP OPTIONS — PRICES IN SEK
Selected combinations up to 4 weeks delivery time.

SKU	VARIANT	EXCL. VAT
<i>Seat with upholstery — Black steel base</i>		
9410005-000A00ZZ	 AFTERROOM COUNTER CHAIR, BLACK STEEL / DUNES COGNAC 21000	5.276,00
9410005-000D00ZZ	 AFTERROOM COUNTER CHAIR, BLACK STEEL / DUNES ANTHRAZITE 21003	5.276,00

TECHNICAL SPECIFICATIONS

COLLI	WEIGHT	TEST	CERTIFICATIONS
1	Without upholstery: 5,5 kg / 12,1 lb With upholstery: 5 kg / 11 lb	EN1022:2005, L2 EN16139:2013, L2	TSCA title VI compliant Declare.





AFTERROOM COUNTER CHAIR
Designed by *Afteroom*

[BACK TO START](#)

CORE

SPEC OPTIONS — PRICES IN SEK
6–8 weeks delivery time

SKU	VARIANT	EXCL. VAT
<i>Textile — Seat with upholstery</i>		
9410020	<i>Price Category 0</i> Audo Bouclé, Audo	3.356,00
9410001	<i>Price Category 1</i> Barnum Bouclé, Audo / Champion, JAB / Illusion, Nevotex / Hot Madison, JAB / Maple, Kvadrat / Remix 3, Kvadrat / Re-wool, Kvadrat	4.076,00
9410002	<i>Price Category 2</i> Canvas 2, Kvadrat / Clay, Kvadrat, Sahco / Colline 2, Kvadrat / Fiord 2, Kvadrat / Hallingdal 65, Kvadrat / Moss, Kvadrat, Sahco / Reflect, Kvadrat / Savanna, Kvadrat / Steelcut 2, Kvadrat / Steelcut Trio 3, Kvadrat	4.716,00
9410003	<i>Price Category 3</i> Arctic, JAB / Safire, Kvadrat, Sahco / Vidar 4, Kvadrat, Sahco / Zero, Kvadrat, Sahco	5.276,00
9410008	<i>Price Category 4</i> Cabanon Soft, Designers Guild / Doppiopanama, Dedar / Grand Mohair, Danish Art Weaving / Lupo, Dedar	5.436,00
<i>Leather — Seat with upholstery</i>		
9410004	<i>Price Category 1</i> Dakar, Nevotex / Envy, Sørensen Leather / Ultra, Sørensen Leather	4.716,00
9410005	<i>Price Category 2</i> Dunes, Sørensen Leather / Nuance, Sørensen Leather	5.276,00
9410006	<i>Price Category 3</i> Royal Nubuck, Sørensen Leather	5.996,00
9410007	<i>Price Category 4</i> Elegance, Sørensen Leather	7.356,00



AFTERROOM COUNTER CHAIR PLUS

Designed by *Afteroom*

[BACK TO START](#)

CORE

Counter chair with tubular powder coated steel, with a circular footrest. Upholstered seat and extended, upholstered or walnut veneer backrest.



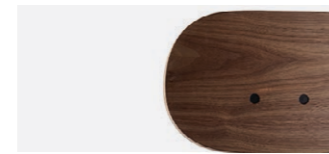
PRODUCT OPTIONS

Seat



WITH UPHOLSTERY

Backrest options



WALNUT



WITH UPHOLSTERY

Powder coated steel base



BLACK STEEL

Spec options


Available in fabrics from our upholstery programme. Standard lead times apply.

For custom upholstery, please refer to the guiding textile/leather consumption:
COM: 0,59 m / 0,649 yds
COL: 0,88 m² / 9,4776 sqft

Prices excl. custom upholstery are equal to Price Category 1 Textile or Leather. Contact Sales support for approval of custom upholstery and to place your order.

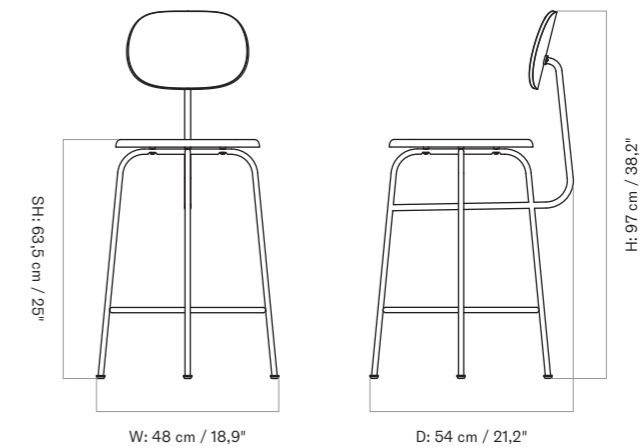
The above textile consumption is only valid for textile rolls with a width equal to or greater than 140 cm. For smaller textile rolls, please contact Sales Support for guidance. For textile with pattern, please expect a higher usage for correct pattern fitting. Please contact Sales Support for guidance.

QUICK SHIP OPTIONS — PRICES IN SEK
Selected combinations up to 4 weeks delivery time.

SKU	VARIANT	EXCL. VAT
<i>Seat and backrest with upholstery — Black steel base</i>		
9455004-000H05ZZ	 AFTERROOM COUNTER CHAIR PLUS, BLACK STEEL / DAKAR 0250	6.156,00

TECHNICAL SPECIFICATIONS

COLLI	WEIGHT	TEST	CERTIFICATIONS
1	5 kg / 11 lb	EN1022:2005, L2 EN16139:2013, L2	TSCA title VI compliant Declare.





AFTERROOM COUNTER CHAIR PLUS
Designed by *Afteroom*

[BACK TO START](#)

CORE

SPEC OPTIONS — PRICES IN SEK
6–8 weeks delivery time

SKU	VARIANT	EXCL. VAT
<i>Textile — Seat with upholstery — Walnut backrest</i>		
9445020	<i>Price Category 0</i> Audo Bouclé, Audo	3.516,00
9445001	<i>Price Category 1</i> Barnum Bouclé, Audo / Champion, JAB / Illusion, Nevotex / Hot Madison, JAB / Maple, Kvadrat / Remix 3, Kvadrat / Re-wool, Kvadrat	4.236,00
9445002	<i>Price Category 2</i> Canvas 2, Kvadrat / Clay, Kvadrat, Sahco / Colline 2, Kvadrat / Fiord 2, Kvadrat / Hallingdal 65, Kvadrat / Moss, Kvadrat, Sahco / Reflect, Kvadrat / Savanna, Kvadrat / Steelcut 2, Kvadrat / Steelcut Trio 3, Kvadrat	5.276,00
9445003	<i>Price Category 3</i> Arctic, JAB / Safire, Kvadrat, Sahco / Vidar 4, Kvadrat, Sahco / Zero, Kvadrat, Sahco	5.836,00
9445008	<i>Price Category 4</i> Cabanon Soft, Designers Guild / DoppioPanama, Dedar / Grand Mohair, Danish Art Weaving / Lupo, Dedar	6.476,00
<i>Textile — Seat with upholstery — Walnut backrest</i>		
9445004	<i>Price Category 1</i> Dakar, Nevotex / Envy, Sørensens Leather / Ultra, Sørensens Leather	5.276,00
9445005	<i>Price Category 2</i> Dunes, Sørensens Leather / Nuance, Sørensens Leather	5.996,00
9445006	<i>Price Category 3</i> Royal Nubuck, Sørensens Leather	6.636,00
9445007	<i>Price Category 4</i> Elegance, Sørensens Leather	8.316,00

SPEC OPTIONS — PRICES IN SEK
6–8 weeks delivery time

SKU	VARIANT	EXCL. VAT
<i>Textile — Seat and backrest with upholstery</i>		
9455020	<i>Price Category 0</i> Audo Bouclé, Audo	4.396,00
9455001	<i>Price Category 1</i> Barnum Bouclé, Audo / Champion, JAB / Illusion, Nevotex / Hot Madison, JAB / Maple, Kvadrat / Remix 3, Kvadrat / Re-wool, Kvadrat	5.276,00
9455002	<i>Price Category 2</i> Canvas 2, Kvadrat / Clay, Kvadrat, Sahco / Colline 2, Kvadrat / Fiord 2, Kvadrat / Hallingdal 65, Kvadrat / Moss, Kvadrat, Sahco / Reflect, Kvadrat / Savanna, Kvadrat / Steelcut 2, Kvadrat / Steelcut Trio 3, Kvadrat	6.156,00
9455003	<i>Price Category 3</i> Arctic, JAB / Safire, Kvadrat, Sahco / Vidar 4, Kvadrat, Sahco / Zero, Kvadrat, Sahco	7.116,00
9455008	<i>Price Category 4</i> Cabanon Soft, Designers Guild / DoppioPanama, Dedar / Grand Mohair, Danish Art Weaving / Lupo, Dedar	7.516,00
<i>Leather — Seat and backrest with upholstery</i>		
9455004	<i>Price Category 1</i> Dakar, Nevotex / Envy, Sørensens Leather / Ultra, Sørensens Leather	6.156,00
9455005	<i>Price Category 2</i> Dunes, Sørensens Leather / Nuance, Sørensens Leather	7.116,00
9455006	<i>Price Category 3</i> Royal Nubuck, Sørensens Leather	8.076,00
9455007	<i>Price Category 4</i> Elegance, Sørensens Leather	9.836,00



CORE

AFTERROOM BAR CHAIR Designed by *Afteroom*

[BACK TO START](#)

Bar chair with tubular powder coated steel, with extended backrest in veneer. Available with or without upholstered seat.



PRODUCT OPTIONS

Seat



WITH UPHOLSTERY

Powder coated steel base



BLACK STEEL

Spec options

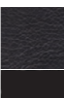

Available in fabrics from our upholstery programme. Standard lead times apply.

For custom upholstery, please refer to the guiding textile/leather consumption:
COM: 0,54 m / 0,594 yds
COL: 0,45 m² / 4,8465 sqft

Prices excl. custom upholstery are equal to Price Category 1 Textile or Leather. Contact Sales support for approval of custom upholstery and to place your order.

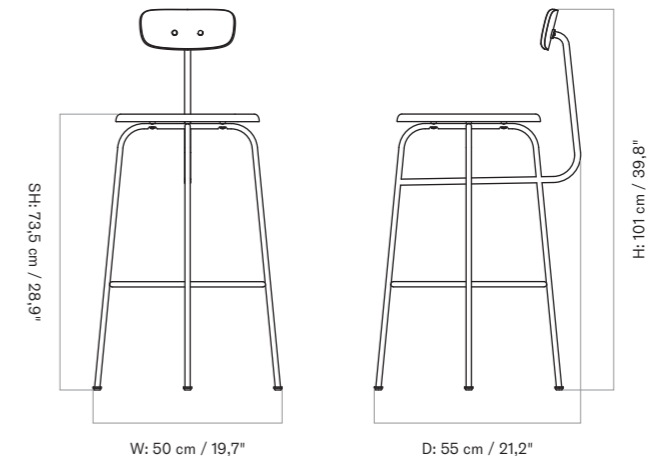
The above textile consumption is only valid for textile rolls with a width equal to or greater than 140 cm. For smaller textile rolls, please contact Sales Support for guidance. For textile with pattern, please expect a higher usage for correct pattern fitting. Please contact Sales Support for guidance.

QUICK SHIP OPTIONS — PRICES IN SEK
Selected combinations up to 4 weeks delivery time.

SKU	VARIANT	EXCL. VAT
<i>Seat with upholstery — Black steel base</i>		
9400005-000D00ZZ	 AFTERROOM BAR CHAIR, BLACK STEEL / DUNES ANTHRAZITE 21003	5.276,00
9400005-000A00ZZ	 AFTERROOM BAR CHAIR, BLACK STEEL / DUNES COGNAC 21000	5.276,00

TECHNICAL SPECIFICATIONS

COLLI	WEIGHT	TEST	CERTIFICATIONS
1	Without upholstery: 5,8 kg /12,8 lb With upholstery: 5,5 kg /12,1 lb	EN1022:2005, L2 EN16139:2013, L2	TSCA title VI compliant Declare.





AFTERROOM BAR CHAIR
Designed by *Afteroom*

[BACK TO START](#)

CORE

SPEC OPTIONS — PRICES IN SEK
6–8 weeks delivery time

SKU	VARIANT	EXCL. VAT
<i>Textile — Seat with upholstery</i>		
9400020	<i>Price Category 0</i> Audo Bouclé, Audo	3.356,00
9400001	<i>Price Category 1</i> Barnum Bouclé, Audo / Champion, JAB / Illusion, Nevotex / Hot Madison, JAB / Maple, Kvadrat / Remix 3, Kvadrat / Re-wool, Kvadrat	4.076,00
9400002	<i>Price Category 2</i> Canvas 2, Kvadrat / Clay, Kvadrat, Sahco / Colline 2, Kvadrat / Fiord 2, Kvadrat / Hallingdal 65, Kvadrat / Moss, Kvadrat, Sahco / Reflect, Kvadrat / Savanna, Kvadrat / Steelcut 2, Kvadrat / Steelcut Trio 3, Kvadrat	4.716,00
9400003	<i>Price Category 3</i> Arctic, JAB / Safire, Kvadrat, Sahco / Vidar 4, Kvadrat, Sahco / Zero, Kvadrat, Sahco	5.276,00
9400008	<i>Price Category 4</i> Cabanon Soft, Designers Guild / Doppiopanama, Dedar / Grand Mohair, Danish Art Weaving / Lupo, Dedar	5.436,00
<i>Leather — Seat with upholstery</i>		
9400004	<i>Price Category 1</i> Dakar, Nevotex / Envy, Sørensen Leather / Ultra, Sørensen Leather	4.716,00
9400005	<i>Price Category 2</i> Dunes, Sørensen Leather / Nuance, Sørensen Leather	5.276,00
9400006	<i>Price Category 3</i> Royal Nubuck, Sørensen Leather	5.996,00
9400007	<i>Price Category 4</i> Elegance, Sørensen Leather	7.356,00



CORE

AFTERROOM BAR CHAIR PLUS

Designed by *Afteroom*

[BACK TO START](#)

Bar chair with tubular powder coated steel, with a circular footrest. Upholstered seat and extended, upholstered or walnut veneer backrest.



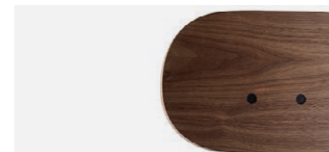
PRODUCT OPTIONS

Seat

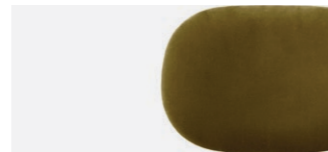


WITH UPHOLSTERY

Backrest options



WALNUT



WITH UPHOLSTERY

Powder coated steel base



BLACK STEEL

Spec options


Available in fabrics from our upholstery programme. Standard lead times apply.

For custom upholstery, please refer to the guiding textile/leather consumption:
COM: 0,59 m / 0,649 yds
COL: 0,88 m² / 9,4776 sqft

Prices excl. custom upholstery are equal to Price Category 1 Textile or Leather. Contact Sales support for approval of custom upholstery and to place your order.

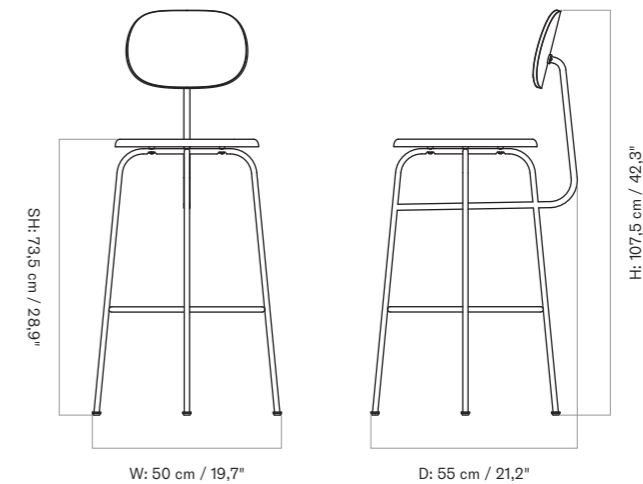
The above textile consumption is only valid for textile rolls with a width equal to or greater than 140 cm. For smaller textile rolls, please contact Sales Support for guidance. For textile with pattern, please expect a higher usage for correct pattern fitting. Please contact Sales Support for guidance.

QUICK SHIP OPTIONS — PRICES IN SEK
Selected combinations up to 4 weeks delivery time.

SKU	VARIANT	EXCL. VAT
<i>Seat and backrest with upholstery — Black steel base</i>		
9450004-000J05ZZ	 AFTERROOM BAR CHAIR PLUS, BLACK STEEL / DAKAR 0250	6.156,00

TECHNICAL SPECIFICATIONS

COLLI	WEIGHT	TEST	CERTIFICATIONS
1	5,4 kg / 11,9 lb	EN1022:2005, L2 EN16139:2013, L2	TSCA title VI compliant Declare.





AFTERROOM BAR CHAIR PLUS
Designed by *Afteroom*

[BACK TO START](#)

CORE

SPEC OPTIONS — PRICES IN SEK
6–8 weeks delivery time

SKU	VARIANT	EXCL. VAT
<i>Textile — Seat with upholstery — Walnut backrest</i>		
9440020	<i>Price Category 0</i> Audo Bouclé, Audo	3.756,00
9440001	<i>Price Category 1</i> Barnum Bouclé, Audo / Champion, JAB / Illusion, Nevotex / Hot Madison, JAB / Maple, Kvadrat / Remix 3, Kvadrat / Re-wool, Kvadrat	4.236,00
9440002	<i>Price Category 2</i> Canvas 2, Kvadrat / Clay, Kvadrat, Sahco / Colline 2, Kvadrat / Fiord 2, Kvadrat / Hallingdal 65, Kvadrat / Moss, Kvadrat, Sahco / Reflect, Kvadrat / Savanna, Kvadrat / Steelcut 2, Kvadrat / Steelcut Trio 3, Kvadrat	5.276,00
9440003	<i>Price Category 3</i> Arctic, JAB / Safire, Kvadrat, Sahco / Vidar 4, Kvadrat, Sahco / Zero, Kvadrat, Sahco	5.836,00
9440008	<i>Price Category 4</i> Cabanon Soft, Designers Guild / Doppiopanama, Dedar / Grand Mohair, Danish Art Weaving / Lupo, Dedar	5.116,00
<i>Leather — Seat with upholstery — Walnut backrest</i>		
9440004	<i>Price Category 1</i> Dakar, Nevotex / Envy, Sørensens Leather / Ultra, Sørensens Leather	5.276,00
9440005	<i>Price Category 2</i> Dunes, Sørensens Leather / Nuance, Sørensens Leather	5.996,00
9440006	<i>Price Category 3</i> Royal Nubuck, Sørensens Leather	6.636,00
9440007	<i>Price Category 4</i> Elegance, Sørensens Leather	8.316,00

SPEC OPTIONS — PRICES IN SEK
6–8 weeks delivery time

SKU	VARIANT	EXCL. VAT
<i>Textile — Seat and backrest with upholstery</i>		
9450020	<i>Price Category 0</i> Audo Bouclé, Audo	4.396,00
9450001	<i>Price Category 1</i> Barnum Bouclé, Audo / Champion, JAB / Illusion, Nevotex / Hot Madison, JAB / Maple, Kvadrat / Remix 3, Kvadrat / Re-wool, Kvadrat	5.276,00
9450002	<i>Price Category 2</i> Canvas 2, Kvadrat / Clay, Kvadrat, Sahco / Colline 2, Kvadrat / Fiord 2, Kvadrat / Hallingdal 65, Kvadrat / Moss, Kvadrat, Sahco / Reflect, Kvadrat / Savanna, Kvadrat / Steelcut 2, Kvadrat / Steelcut Trio 3, Kvadrat	6.156,00
9450003	<i>Price Category 3</i> Arctic, JAB / Safire, Kvadrat, Sahco / Vidar 4, Kvadrat, Sahco / Zero, Kvadrat, Sahco	7.116,00
9450008	<i>Price Category 4</i> Cabanon Soft, Designers Guild / Doppiopanama, Dedar / Grand Mohair, Danish Art Weaving / Lupo, Dedar	7.516,00
<i>Leather — Seat and backrest with upholstery</i>		
9450004	<i>Price Category 1</i> Dakar, Nevotex / Envy, Sørensens Leather / Ultra, Sørensens Leather	6.156,00
9450005	<i>Price Category 2</i> Dunes, Sørensens Leather / Nuance, Sørensens Leather	7.116,00
9450006	<i>Price Category 3</i> Royal Nubuck, Sørensens Leather	8.076,00
9450007	<i>Price Category 4</i> Elegance, Sørensens Leather	9.836,00

CO COUNTER CHAIR

CO BAR CHAIR



Veneer



Veneer



Seat Upholstered



Seat Upholstered



Fully Upholstered



Fully Upholstered





CO COUNTER CHAIR, VENEER
Designed by *Norm Architects & Els Van Hoorebeeck*

[BACK TO START](#)

CORE

Distinguished by its wide back, generous seat and slender frame, the Co Counter Chair is equal parts comfortable and elegant. Conceived in collaboration with Norm Architects and Els Van Hoorebeeck, the elevated design features a footrest for additional support as you sit.



PRODUCT OPTIONS

Seat and Backrest



NATURAL OAK



DARK STAINED OAK




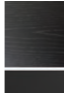
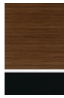
BLACK OAK

Steel Base



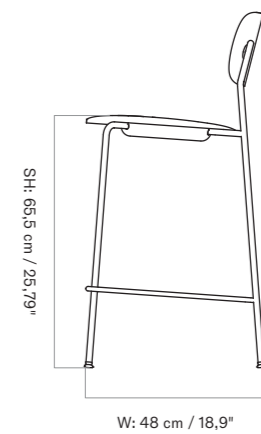
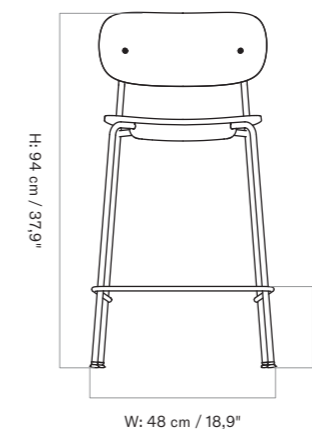
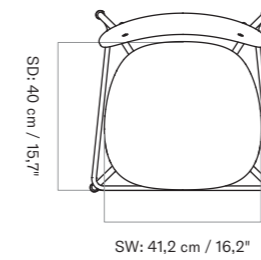
BLACK POWDER
COATED STEEL

QUICK SHIP OPTIONS — PRICES IN SEK
Selected combinations up to 4 weeks delivery time.

SKU	VARIANT	EXCL. VAT
1179121	 CO COUNTER CHAIR, BLACK STEEL / NATURAL OAK	3.836,00
1179122	 CO COUNTER CHAIR, BLACK STEEL / BLACK OAK	3.836,00
1179123	 CO COUNTER CHAIR, BLACK STEEL / DARK STAINED OAK	3.836,00

TECHNICAL SPECIFICATIONS

COLLI	WEIGHT	TEST	CERTIFICATIONS
1	6,2 kg / 13,6 lb	N / A	Declare.





CO COUNTER CHAIR, SEAT UPHOLSTERED
Designed by *Norm Architects & Els Van Hoorebeeck*

[BACK TO START](#)

CORE

Distinguished by its wide back, generous seat and slender frame, the Co Counter Chair is equal parts comfortable and elegant. Conceived in collaboration with Norm Architects and Els Van Hoorebeeck, the elevated design features a footrest for additional support as you sit.



PRODUCT OPTIONS

Seat



NATURAL OAK

DARK STAINED OAK

BLACK OAK

Seat



WITH UPHOLSTERY

Steel base



BLACK POWDER
COATED STEEL

Spec options

Available in fabrics from our upholstery programme.
Standard lead times apply.

For custom upholstery, please refer to the guiding
textile/leather consumption:
COM: 0,59 m / 0,649 yds
COL: 0,88 m² / 9,4776 sqft

Prices excl. custom upholstery are equal to Price Category 1
Textile or Leather. Contact Sales support for approval of custom
upholstery and to place your order.

The above textile consumption is only valid for textile rolls with a width equal to
or greater than 140 cm. For smaller textile rolls, please contact Sales Support for
guidance. For textile with pattern, please expect a higher usage for correct pattern
fitting. Please contact Sales Support for guidance.

TECHNICAL SPECIFICATIONS

COLLI

1

WEIGHT

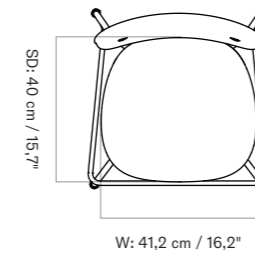
6,5 kg / 14,3 lb

TEST

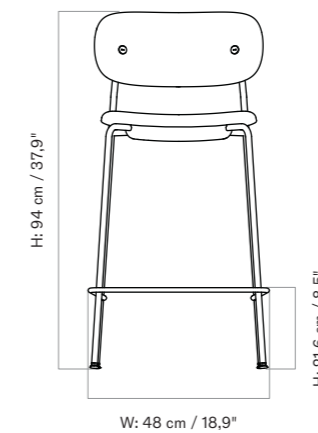
N / A

CERTIFICATIONS

Declare.

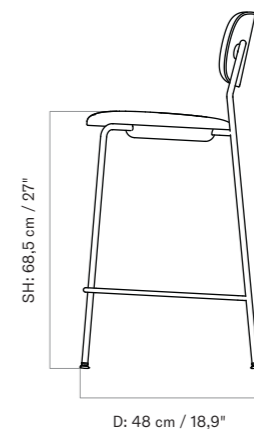


W: 41,2 cm / 16,2"



W: 48 cm / 18,9"

H: 21,6 cm / 8,5"



D: 48 cm / 18,9"



CO COUNTER CHAIR, SEAT UPHOLSTERED
Designed by *Norm Architects & Els Van Hoorebeeck*

[BACK TO START](#)

CORE

SPEC OPTIONS — PRICES IN SEK
6–8 weeks delivery time

SKU	VARIANT	EXCL. VAT
<i>Textile — Seat with upholstery</i>		
1184000	<i>Price Category 0</i> Audo Bouclé, Audo	4.156,00
1184001	<i>Price Category 1</i> Barnum Bouclé, Audo / Champion, JAB / Illusion, Nevotex / Hot Madison, JAB / Maple, Kvadrat / Remix 3, Kvadrat / Re-wool, Kvadrat	4.796,00
1184002	<i>Price Category 2</i> Canvas 2, Kvadrat / Clay, Kvadrat, Sahco / Colline 2, Kvadrat / Fiord 2, Kvadrat / Hallingdal 65, Kvadrat / Moss, Kvadrat, Sahco / Reflect, Kvadrat / Savanna, Kvadrat / Steelcut 2, Kvadrat / Steelcut Trio 3, Kvadrat	5.356,00
1184003	<i>Price Category 3</i> Arctic, JAB / Safire, Kvadrat, Sahco / Vidar 4, Kvadrat, Sahco / Zero, Kvadrat, Sahco	5.916,00
1184004	<i>Price Category 4</i> Cabanon Soft, Designers Guild / Doppiopanama, Dedar / Grand Mohair, Danish Art Weaving / Lupo, Dedar	6.636,00
<i>Leather — Seat with upholstery</i>		
1185001	<i>Price Category 1</i> Dakar, Nevotex / Envy, Sørensens Leather / Ultra, Sørensens Leather	5.116,00
1185002	<i>Price Category 2</i> Dunes, Sørensens Leather / Nuance, Sørensens Leather	5.916,00
1185003	<i>Price Category 3</i> Royal Nubuck, Sørensens Leather	6.636,00
1185004	<i>Price Category 4</i> Elegance, Sørensens Leather	8.076,00



CO COUNTER CHAIR, FULLY UPHOLSTERED
Designed by *Norm Architects & Els Van Hoorebeeck*

[BACK TO START](#)

CORE

Distinguished by its wide back, generous seat and slender frame, the Co Counter Chair is equal parts comfortable and elegant. Conceived in collaboration with Norm Architects and Els Van Hoorebeeck, the elevated design features a footrest for additional support as you sit.



PRODUCT OPTIONS

Backrest



WITH UPHOLSTERY

Seat



WITH UPHOLSTERY

Steel base



BLACK STEEL

Spec options

Available in fabrics from our upholstery programme.
Standard lead times apply.

For custom upholstery, please refer to the guiding
textile/leather consumption:
COM: 0,59 m / 0,649 yds
COL: 0,88 m² / 9,4776 sqft

Prices excl. custom upholstery are equal to Price Category 1
Textile or Leather. Contact Sales support for approval of custom
upholstery and to place your order.

The above textile consumption is only valid for textile rolls with a width equal to
or greater than 140 cm. For smaller textile rolls, please contact Sales Support for
guidance. For textile with pattern, please expect a higher usage for correct pattern
fitting. Please contact Sales Support for guidance.

TECHNICAL SPECIFICATIONS

COLLI

1

WEIGHT

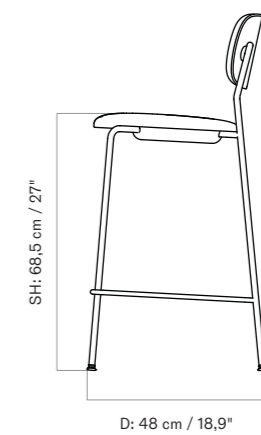
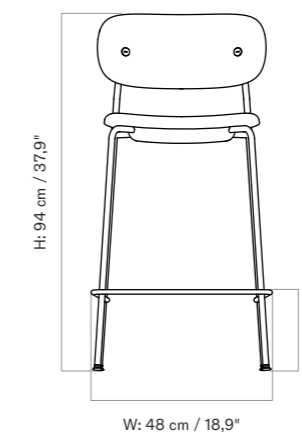
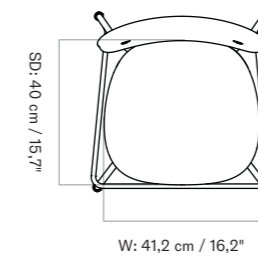
6,7 kg / 14,7 lb

TEST

N / A

CERTIFICATIONS

Declare.





CO COUNTER CHAIR, FULLY UPHOLSTERED
Designed by *Norm Architects & Els Van Hoorebeeck*

[BACK TO START](#)

CORE

SPEC OPTIONS — PRICES IN SEK
6–8 weeks delivery time

SKU	VARIANT	EXCL. VAT
<i>Textile — Seat and backrest with upholstery</i>		
1186000	<i>Price Category 0</i> Audo Bouclé, Audo	4.476,00
1186001	<i>Price Category 1</i> Barnum Bouclé, Audo / Champion, JAB / Illusion, Nevotex / Hot Madison, JAB / Maple, Kvadrat / Remix 3, Kvadrat / Re-wool, Kvadrat	5.116,00
1186002	<i>Price Category 2</i> Canvas 2, Kvadrat / Clay, Kvadrat, Sahco / Colline 2, Kvadrat / Fiord 2, Kvadrat / Hallingdal 65, Kvadrat / Moss, Kvadrat, Sahco / Reflect, Kvadrat / Savanna, Kvadrat / Steelcut 2, Kvadrat / Steelcut Trio 3, Kvadrat	5.916,00
1186003	<i>Price Category 3</i> Arctic, JAB / Safire, Kvadrat, Sahco / Vidar 4, Kvadrat, Sahco / Zero, Kvadrat, Sahco	6.636,00
1186004	<i>Price Category 4</i> Cabanon Soft, Designers Guild / Doppiopanama, Dedar / Grand Mohair, Danish Art Weaving / Lupo, Dedar	7.756,00
<i>Textile — Seat and backrest with upholstery</i>		
1187001	<i>Price Category 1</i> Dakar, Nevotex / Envy, Sørensens Leather / Ultra, Sørensens Leather	5.436,00
1187002	<i>Price Category 2</i> Dunes, Sørensens Leather / Nuance, Sørensens Leather	6.636,00
1187003	<i>Price Category 3</i> Royal Nubuck, Sørensens Leather	7.516,00
1187004	<i>Price Category 4</i> Elegance, Sørensens Leather	9.756,00



CORE

CO BAR CHAIR, VENEER

Designed by *Norm Architects & Els Van Hoorebeeck*

[BACK TO START](#)

Distinguished by its wide back, generous seat and slender frame, the Co Bar Chair is equal parts comfortable and elegant. Conceived in collaboration with Norm Architects and Els Van Hoorebeeck, the elevated design features a footrest for additional support as you sit.



PRODUCT OPTIONS

Seat and Backrest



NATURAL OAK



DARK STAINED OAK



BLACK OAK

Steel Base



BLACK POWDER COATED STEEL

TECHNICAL SPECIFICATIONS

COLLI

1

WEIGHT

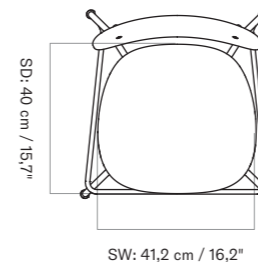
6,5 kg / 14,3 lb

TEST

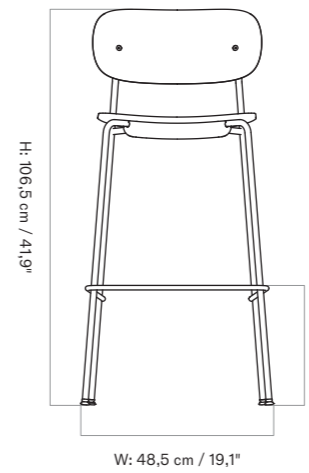
N / A

CERTIFICATIONS

Declare.

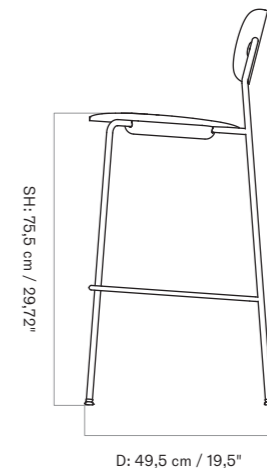


SW: 41,2 cm / 16,2\"/>



W: 48,5 cm / 19,1\"/>

FH: 31,6 cm / 12,44\"/>



D: 49,5 cm / 19,5\"/>



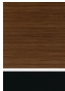


CO BAR CHAIR, VENEER
Designed by *Norm Architects & Els Van Hoorebeeck*

[BACK TO START](#)

CORE

QUICK SHIP OPTIONS — PRICES IN SEK
Selected combinations up to 4 weeks delivery time.

SKU	VARIANT	EXCL. VAT
1179111	 CO BAR CHAIR, BLACK STEEL / NATURAL OAK	3.836,00
1179112	 CO BAR CHAIR, BLACK STEEL / BLACK OAK	3.836,00
1179113	 CO BAR CHAIR, BLACK STEEL / DARK STAINED OAK	3.836,00



CO BAR CHAIR, VENEER, material *black steel / natural oak* designer *Norm Architects & Els Van Hoorebeeck*
TEAROOM, LOUNGE CHAIR, HIGH BACK W/POWER OUTLET, material *Hallingdal 65 200*, designer *Nick Ross*
YANA BREWING POT, material *grey glazed*, designer *Norm Architects*
NEW NORM CUP W/HANDLE, material *dark glazed*, designer *Norm Architects*



CORE

CO BAR CHAIR, SEAT UPHOLSTERED

Designed by *Norm Architects & Els Van Hoorebeeck*

[BACK TO START](#)

Distinguished by its wide back, generous seat and slender frame, the Co Bar Chair is equal parts comfortable and elegant. Conceived in collaboration with Norm Architects and Els Van Hoorebeeck, the elevated design features a footrest for additional support as you sit.

PRODUCT OPTIONS

Seat



NATURAL OAK

DARK STAINED OAK

BLACK OAK

Seat



WITH UPHOLSTERY

Steel base



BLACK POWDER
COATED STEEL

Spec options

Available in fabrics from our upholstery programme. Standard lead times apply.

For custom upholstery, please refer to the guiding textile/leather consumption:
COM: 0,59 m / 0,649 yds
COL: 0,88 m² / 9,4776 sqft

Prices excl. custom upholstery are equal to Price Category 1 Textile or Leather. Contact Sales support for approval of custom upholstery and to place your order.

The above textile consumption is only valid for textile rolls with a width equal to or greater than 140 cm. For smaller textile rolls, please contact Sales Support for guidance. For textile with pattern, please expect a higher usage for correct pattern fitting. Please contact Sales Support for guidance.

TECHNICAL SPECIFICATIONS

COLLI

1

WEIGHT

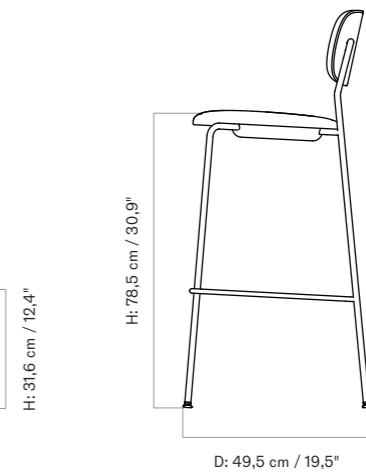
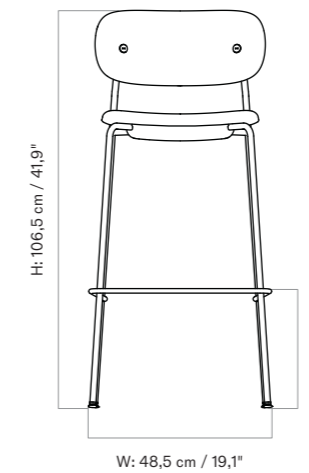
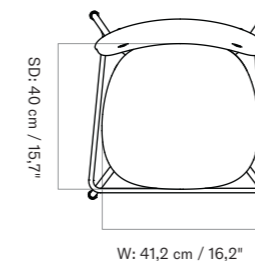
6,8 kg / 15 lb

TEST

N / A

CERTIFICATIONS

Declare.





CO BAR CHAIR, SEAT UPHOLSTERED
Designed by *Norm Architects & Els Van Hoorebeeck*

[BACK TO START](#)

CORE

SPEC OPTIONS — PRICES IN SEK
6–8 weeks delivery time

SKU	VARIANT	EXCL. VAT
<i>Textile — Seat with upholstery</i>		
1180000	<i>Price Category 0</i> Audo Bouclé, Audo	4.156,00
1180001	<i>Price Category 1</i> Barnum Bouclé, Audo / Champion, JAB / Illusion, Nevotex / Hot Madison, JAB / Maple, Kvadrat / Remix 3, Kvadrat / Re-wool, Kvadrat	4.796,00
1180002	<i>Price Category 2</i> Canvas 2, Kvadrat / Clay, Kvadrat, Sahco / Colline 2, Kvadrat / Fiord 2, Kvadrat / Hallingdal 65, Kvadrat / Moss, Kvadrat, Sahco / Reflect, Kvadrat / Savanna, Kvadrat / Steelcut 2, Kvadrat / Steelcut Trio 3, Kvadrat	5.356,00
1180003	<i>Price Category 3</i> Arctic, JAB / Safire, Kvadrat, Sahco / Vidar 4, Kvadrat, Sahco / Zero, Kvadrat, Sahco	5.916,00
1180004	<i>Price Category 4</i> Cabanon Soft, Designers Guild / Doppiopanama, Dedar / Grand Mohair, Danish Art Weaving / Lupo, Dedar	6.636,00
<i>Leather — Seat with upholstery</i>		
1181001	<i>Price Category 1</i> Dakar, Nevotex / Envy, Sørensens Leather / Ultra, Sørensens Leather	5.116,00
1181002	<i>Price Category 2</i> Dunes, Sørensens Leather / Nuance, Sørensens Leather	5.916,00
1181003	<i>Price Category 3</i> Royal Nubuck, Sørensens Leather	6.636,00
1181004	<i>Price Category 4</i> Elegance, Sørensens Leather	8.076,00



CORE

CO BAR CHAIR, FULLY UPHOLSTERED

Designed by *Norm Architects & Els Van Hoorebeeck*

[BACK TO START](#)

Distinguished by its wide back, generous seat and slender frame, the Co Bar Chair is equal parts comfortable and elegant. Conceived in collaboration with Norm Architects and Els Van Hoorebeeck, the elevated design features a footrest for additional support as you sit.

PRODUCT OPTIONS

Backrest



WITH UPHOLSTERY

Seat



WITH UPHOLSTERY

Steel base



BLACK STEEL

Spec options

Available in fabrics from our upholstery programme. Standard lead times apply.

For custom upholstery, please refer to the guiding textile/leather consumption:
COM: 0,59 m / 0,649 yds
COL: 0,88 m² / 9,4776 sqft

Prices excl. custom upholstery are equal to Price Category 1 Textile or Leather. Contact Sales support for approval of custom upholstery and to place your order.

The above textile consumption is only valid for textile rolls with a width equal to or greater than 140 cm. For smaller textile rolls, please contact Sales Support for guidance. For textile with pattern, please expect a higher usage for correct pattern fitting. Please contact Sales Support for guidance.

TECHNICAL SPECIFICATIONS

COLLI

1

WEIGHT

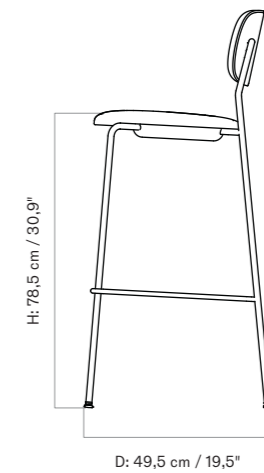
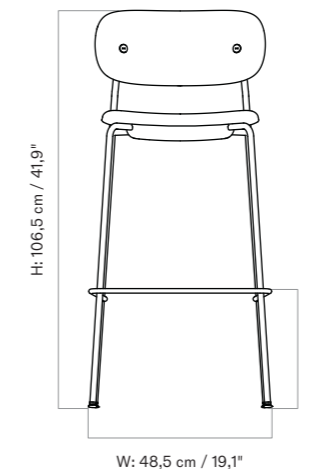
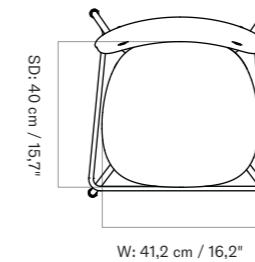
7 kg / 15,4 lb

TEST

N / A

CERTIFICATIONS

Declare.





CO BAR CHAIR, FULLY UPHOLSTERED
Designed by *Norm Architects & Els Van Hoorebeeck*

[BACK TO START](#)

CORE

SPEC OPTIONS — PRICES IN SEK
6–8 weeks delivery time

SKU	VARIANT	EXCL. VAT
<i>Textile — Seat and backrest with upholstery</i>		
1182000	<i>Price Category 0</i> Audo Bouclé, Audo	4.476,00
1182001	<i>Price Category 1</i> Barnum Bouclé, Audo / Champion, JAB / Illusion, Nevotex / Hot Madison, JAB / Maple, Kvadrat / Remix 3, Kvadrat / Re-wool, Kvadrat	5.116,00
1182002	<i>Price Category 2</i> Canvas 2, Kvadrat / Clay, Kvadrat, Sahco / Colline 2, Kvadrat / Fiord 2, Kvadrat / Hallingdal 65, Kvadrat / Moss, Kvadrat, Sahco / Reflect, Kvadrat / Savanna, Kvadrat / Steelcut 2, Kvadrat / Steelcut Trio 3, Kvadrat	5.916,00
1182003	<i>Price Category 3</i> Arctic, JAB / Safire, Kvadrat, Sahco / Vidar 4, Kvadrat, Sahco / Zero, Kvadrat, Sahco	6.636,00
1182004	<i>Price Category 4</i> Cabanon Soft, Designers Guild / Doppiopanama, Dedar / Grand Mohair, Danish Art Weaving / Lupo, Dedar	7.756,00
<i>Leather — Seat and backrest with upholstery</i>		
1183001	<i>Price Category 1</i> Dakar, Nevotex / Envy, Sørensens Leather / Ultra, Sørensens Leather	5.436,00
1183002	<i>Price Category 2</i> Dunes, Sørensens Leather / Nuance, Sørensens Leather	6.636,00
1183003	<i>Price Category 3</i> Royal Nubuck, Sørensens Leather	7.516,00
1183004	<i>Price Category 4</i> Elegance, Sørensens Leather	9.756,00

COUNTER/BAR CHAIR

SIDE COUNTER/BAR CHAIR





CORE

HARBOUR COUNTER CHAIR, PLASTIC

Designed by *Norm Architects & Els Van Hoorebeeck*

[BACK TO START](#)

Counter chair with bare shell set on a powder coated steel base with footrest.

PRODUCT OPTIONS

Plastic shell



BLACK

BURNED RED

KHAKI

LIGHT GREY

OLIVE

WHITE

Powder coated steel base



BLACK STEEL



TECHNICAL SPECIFICATIONS

COLLI

1

WEIGHT

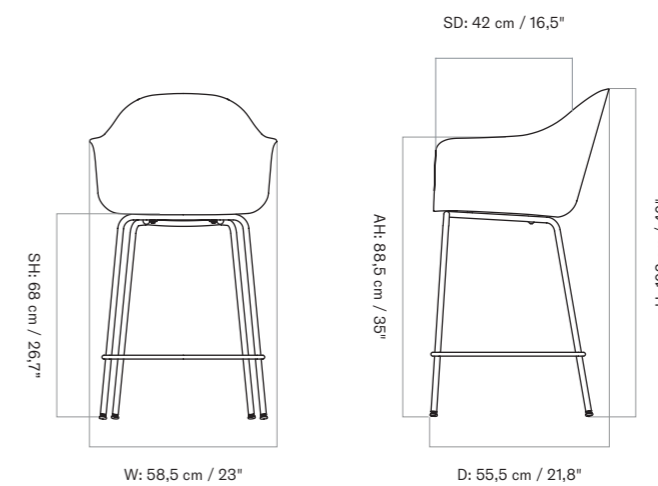
14 kg / 30,9 lb

TEST

EN1022:2005, L2
EN16139:2013, L2

CERTIFICATIONS

Declare.





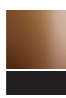

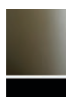



HARBOUR COUNTER CHAIR, PLASTIC
Designed by *Norm Architects & Els Van Hoorebeeck*

[BACK TO START](#)

CORE

QUICK SHIP OPTIONS — PRICES IN SEK
Selected combinations up to 4 weeks delivery time.

SKU	VARIANT	EXCL. VAT
9343100-0000ZZZZ	 HARBOUR COUNTER CHAIR, BLACK STEEL / BLACK	3.756,00
9343100-0001ZZZZ	 HARBOUR COUNTER CHAIR, BLACK STEEL / BURNED RED	3.756,00
9343100-0002ZZZZ	 HARBOUR COUNTER CHAIR, BLACK STEEL / KHAKI	3.756,00
9343100-0003ZZZZ	 HARBOUR COUNTER CHAIR, BLACK STEEL / LIGHT GREY	3.756,00
9343100-0004ZZZZ	 HARBOUR COUNTER CHAIR, BLACK STEEL / OLIVE	3.756,00
9343100-0005ZZZZ	 HARBOUR COUNTER CHAIR, BLACK STEEL / WHITE	3.756,00



COLUMN TABLE LAMP, designer *Norm Architects*
HARBOUR COUNTER CHAIR, material *black steel* / *Dakar 0842*, designer *Norm Architects*
HARBOUR COLUMN COUNTER TABLE, size *Ø80*, material *black steel* / *Estremoz marble*, designer *Norm Architects*



HARBOUR COUNTER CHAIR, UPHOLSTERED

Designed by *Norm Architects*

[BACK TO START](#)

CORE

Counter chair with upholstered shell set on a powder coated steel base with footrest. All Harbour chairs have been upgraded with extra foam in the seat for better sitting comfort, increasing from 15 mm in thickness to 25 mm.



PRODUCT OPTIONS

Shell



WITH UPHOLSTERY

powder coated steel base



BLACK STEEL

Spec options

Available in fabrics from our upholstery programme. Standard lead times apply.

For custom upholstery, please refer to the guiding textile/leather consumption:

COM: 1,7 m / 1,87 yds

COL: 3 m² / 32,31 sqft

Prices excl. custom upholstery are equal to Price Category 1 Textile or Leather. Contact Sales support for approval of custom upholstery and to place your order.

The above textile consumption is only valid for textile rolls with a width equal to or greater than 140 cm. For smaller textile rolls, please contact Sales Support for guidance. For textile with pattern, please expect a higher usage for correct pattern fitting. Please contact Sales Support for guidance.

TECHNICAL SPECIFICATIONS

COLLI

1

WEIGHT

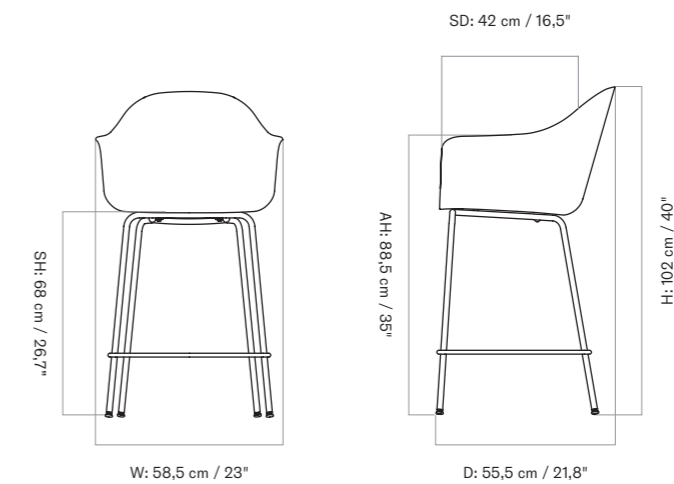
14 kg / 30,9 lb

TEST

EN1022:2005, L2
EN16139:2013, L2

CERTIFICATIONS

Declare.





HARBOUR COUNTER CHAIR, UPHOLSTERED
Designed by *Norm Architects*

[BACK TO START](#)

CORE

SPEC OPTIONS — PRICES IN SEK
6–8 weeks delivery time

SKU	VARIANT	EXCL. VAT
<i>Textile — Shell with upholstery</i>		
9343020	<i>Price Category 0</i> Audo Bouclé, Audo	5.836,00
9343001	<i>Price Category 1</i> Barnum Bouclé, Audo / Champion, JAB / Illusion, Nevotex / Hot Madison, JAB / Maple, Kvadrat / Remix 3, Kvadrat / Re-wool, Kvadrat	6.876,00
9343002	<i>Price Category 2</i> Canvas 2, Kvadrat / Clay, Kvadrat, Sahco / Colline 2, Kvadrat / Fiord 2, Kvadrat / Hallingdal 65, Kvadrat / Moss, Kvadrat, Sahco / Reflect, Kvadrat / Savanna, Kvadrat / Steelcut 2, Kvadrat / Steelcut Trio 3, Kvadrat	8.636,00
9343003	<i>Price Category 3</i> Arctic, JAB / Safire, Kvadrat, Sahco / Vidar 4, Kvadrat, Sahco / Zero, Kvadrat, Sahco	10.716,00
9343018	<i>Price Category 4</i> Doppiopanama, Dedar / Grand Mohair, Danish Art Weaving / Lupo, Dedar	11.356,00
<i>Leather — Shell with upholstery</i>		
9343004	<i>Price Category 1</i> Dakar, Nevotex / Ultra, Sørensen Leather	10.316,00
9343005	<i>Price Category 2</i> Dunes, Sørensen Leather / Nuance, Sørensen Leather	11.916,00
9343006	<i>Price Category 3</i> Royal Nubuck, Sørensen Leather	14.476,00
9343007	<i>Price Category 4</i> Elegance, Sørensen Leather	19.836,00



CORE

HARBOUR BAR CHAIR, PLASTIC

Designed by *Norm Architects*

[BACK TO START](#)

Bar chair with bare shell set on a powder coated steel base with footrest.

PRODUCT OPTIONS

Plastic shell



BLACK

BURNED RED

KHAKI



LIGHT GREY



OLIVE



WHITE

powder coated steel base



BLACK STEEL



TECHNICAL SPECIFICATIONS

COLLI

1

WEIGHT

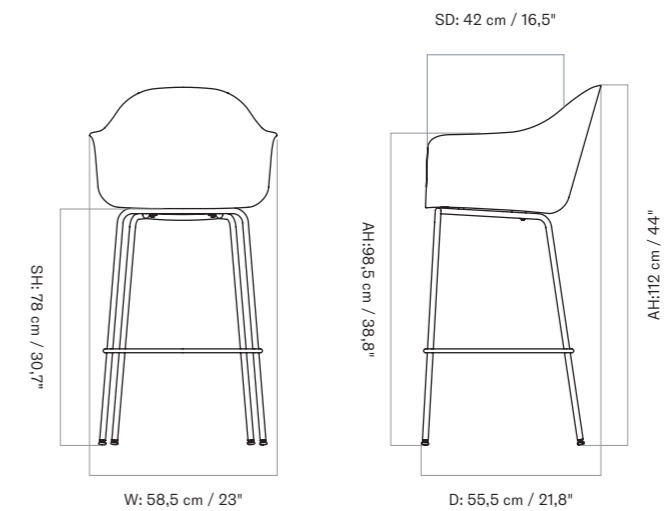
14 kg / 30,9 lb

TEST

EN1022:2005, L2
EN16139:2013, L2

CERTIFICATIONS

Declare.









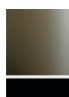

HARBOUR BAR CHAIR, PLASTIC

Designed by *Norm Architects*

[BACK TO START](#)

CORE

QUICK SHIP OPTIONS — PRICES IN SEK
Selected combinations up to 4 weeks delivery time.

SKU	VARIANT	EXCL. VAT
9345100-0000ZZZZ	 HARBOUR BAR CHAIR, BLACK STEEL / BLACK	3.756,00
9345100-0001ZZZZ	 HARBOUR BAR CHAIR, BLACK STEEL / BURNED RED	3.756,00
9345100-0002ZZZZ	 HARBOUR BAR CHAIR, BLACK STEEL / KHAKI	3.756,00
9345100-0003ZZZZ	 HARBOUR BAR CHAIR, BLACK STEEL / LIGHT GREY	3.756,00
9345100-0004ZZZZ	 HARBOUR BAR CHAIR, BLACK STEEL / OLIVE	3.756,00
9345100-0005ZZZZ	 HARBOUR BAR CHAIR, BLACK STEEL / WHITE	3.756,00



HARBOUR BAR CHAIR, material *black steel* / *Dakar 0842*, designer *Norm Architects*



CORE

HARBOUR BAR CHAIR, UPHOLSTERED

Designed by *Norm Architects*

[BACK TO START](#)

Bar chair with upholstered shell set on a powder coated steel base with footrest. All Harbour chairs have been upgraded with extra foam in the seat for better sitting comfort, increasing from 15 mm in thickness to 25 mm.



PRODUCT OPTIONS

Shell



WITH UPHOLSTERY

powder coated steel base



BLACK STEEL

Spec options

Available in fabrics from our upholstery programme. Standard lead times apply.

For custom upholstery, please refer to the guiding textile/leather consumption:

COM: 1,7 m / 1,87 yds

COL: 3 m² / 32,31 sqft

Prices excl. custom upholstery are equal to Price Category 1 Textile or Leather. Contact Sales support for approval of custom upholstery and to place your order.

The above textile consumption is only valid for textile rolls with a width equal to or greater than 140 cm. For smaller textile rolls, please contact Sales Support for guidance. For textile with pattern, please expect a higher usage for correct pattern fitting. Please contact Sales Support for guidance.

TECHNICAL SPECIFICATIONS

COLLI

1

WEIGHT

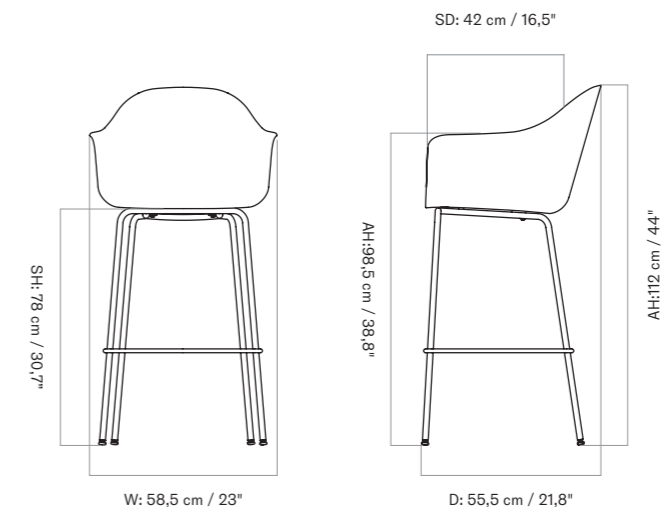
14 kg / 30,9 lb

TEST

EN1022:2005, L2
EN16139:2013, L2

CERTIFICATIONS

Declare.





HARBOUR BAR CHAIR, UPHOLSTERED

Designed by *Norm Architects*

[BACK TO START](#)

CORE

SPEC OPTIONS — PRICES IN SEK
6–8 weeks delivery time

SKU	VARIANT	EXCL. VAT
<i>Textile — Shell with upholstery</i>		
9345020	<i>Price Category 0</i> Audo Bouclé, Audo	5.836,00
9345001	<i>Price Category 1</i> Barnum Bouclé, Audo / Champion, JAB / Illusion, Nevotex / Hot Madison, JAB / Maple, Kvadrat / Remix 3, Kvadrat / Re-wool, Kvadrat	6.876,00
9345002	<i>Price Category 2</i> Canvas 2, Kvadrat / Clay, Kvadrat, Sahco / Colline 2, Kvadrat / Fiord 2, Kvadrat / Hallingdal 65, Kvadrat / Moss, Kvadrat, Sahco / Reflect, Kvadrat / Savanna, Kvadrat / Steelcut 2, Kvadrat / Steelcut Trio 3, Kvadrat	8.876,00
9345003	<i>Price Category 3</i> Arctic, JAB / Safire, Kvadrat, Sahco / Vidar 4, Kvadrat, Sahco / Zero, Kvadrat, Sahco	10.716,00
9345018	<i>Price Category 4</i> Doppiopanama, Dedar / Grand Mohair, Danish Art Weaving / Lupo, Dedar	11.356,00
<i>Leather — Shell with upholstery</i>		
9345004	<i>Price Category 1</i> Dakar, Nevotex / Ultra, Sørensen Leather	10.316,00
9345005	<i>Price Category 2</i> Dunes, Sørensen Leather / Nuance, Sørensen Leather	11.916,00
9345006	<i>Price Category 3</i> Royal Nubuck, Sørensen Leather	14.476,00
9345007	<i>Price Category 4</i> Elegance, Sørensen Leather	19.836,00



HARBOUR SIDE COUNTER CHAIR, PLASTIC
Designed by *Norm Architects*

[BACK TO START](#)

CORE

Counter chair with bare shell set on a powder coated steel base with footrest.

PRODUCT OPTIONS

Plastic shell



BLACK

BURNED RED

KHAKI



LIGHT GREY



OLIVE



WHITE

powder coated steel base



BLACK STEEL



TECHNICAL SPECIFICATIONS

COLLI

1

WEIGHT

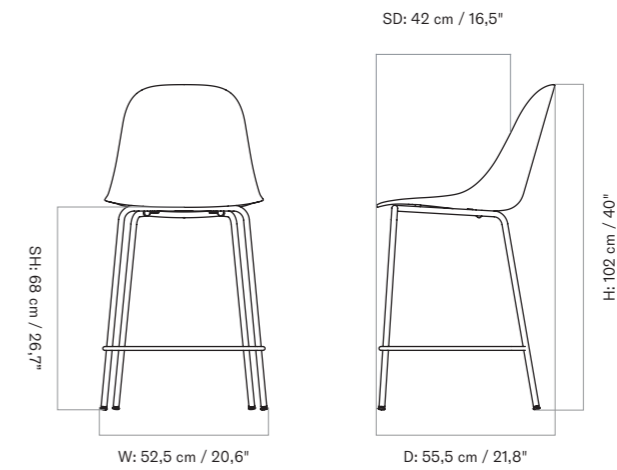
14 kg / 30,9 lb

TEST

EN1022:2005, L2
EN16139:2013, L2

CERTIFICATIONS

Declare.







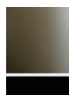



HARBOUR SIDE COUNTER CHAIR, PLASTIC
Designed by *Norm Architects*

[BACK TO START](#)

CORE

QUICK SHIP OPTIONS — PRICES IN SEK
Selected combinations up to 4 weeks delivery time.

SKU	VARIANT	EXCL. VAT
9290100-0000ZZZZ	 HARBOUR SIDE COUNTER CHAIR, BLACK STEEL / BLACK	3.516,00
9290100-0001ZZZZ	 HARBOUR SIDE COUNTER CHAIR, BLACK STEEL / BURNED RED	3.516,00
9290100-0002ZZZZ	 HARBOUR SIDE COUNTER CHAIR, BLACK STEEL / KHAKI	3.516,00
9290100-0003ZZZZ	 HARBOUR SIDE COUNTER CHAIR, BLACK STEEL / LIGHT GREY	3.516,00
9290100-0004ZZZZ	 HARBOUR SIDE COUNTER CHAIR, BLACK STEEL / OLIVE	3.516,00
9290100-0005ZZZZ	 HARBOUR SIDE COUNTER CHAIR, BLACK STEEL / WHITE	3.516,00



HARBOUR SIDE DINING CHAIR, PLASTIC, material *black steel / burned red*, designer *Norm Architects*



HARBOUR SIDE COUNTER CHAIR, UPHOLSTERED

Designed by *Norm Architects*

[BACK TO START](#)

CORE

Counter chair with upholstered shell set on a powder coated steel base with footrest. All Harbour chairs have been upgraded with extra foam in the seat for better sitting comfort, increasing from 15 mm in thickness to 25 mm.



PRODUCT OPTIONS

Shell



WITH UPHOLSTERY

powder coated steel base



BLACK STEEL

Spec options

Available in fabrics from our upholstery programme. Standard lead times apply.

For custom upholstery, please refer to the guiding textile/leather consumption:

COM: 1,27 m / 1,40 yds

COL: 2 m² / 21,54 sqft

Prices excl. custom upholstery are equal to Price Category 1 Textile or Leather. Contact Sales support for approval of custom upholstery and to place your order.

The above textile consumption is only valid for textile rolls with a width equal to or greater than 140 cm. For smaller textile rolls, please contact Sales Support for guidance. For textile with pattern, please expect a higher usage for correct pattern fitting. Please contact Sales Support for guidance.

TECHNICAL SPECIFICATIONS

COLLI

1

WEIGHT

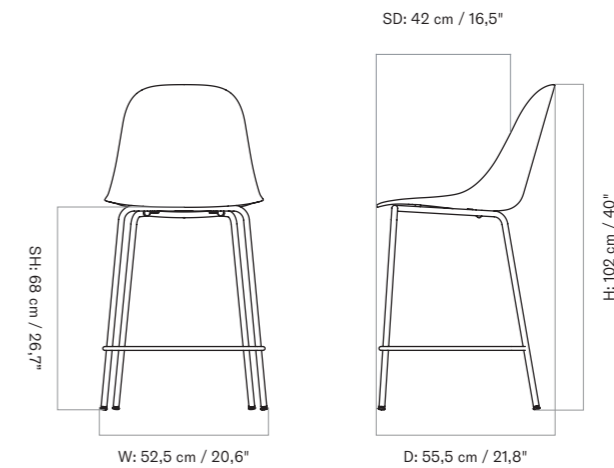
14 kg / 30,9 lb

TEST

EN1022:2005, L2
EN16139:2013, L2

CERTIFICATIONS

Declare.





HARBOUR SIDE COUNTER CHAIR, UPHOLSTERED
Designed by *Norm Architects*

[BACK TO START](#)

CORE

SPEC OPTIONS — PRICES IN SEK
6–8 weeks delivery time

SKU	VARIANT	EXCL. VAT
<i>Textile — Shell with upholstery</i>		
9290020	<i>Price Category 0</i> Audo Bouclé, Audo	5.276,00
9290001	<i>Price Category 1</i> Barnum Bouclé, Audo / Champion, JAB / Illusion, Nevotex / Hot Madison, JAB / Maple, Kvadrat / Remix 3, Kvadrat / Re-wool, Kvadrat	5.996,00
9290002	<i>Price Category 2</i> Canvas 2, Kvadrat / Clay, Kvadrat, Sahco / Colline 2, Kvadrat / Fiord 2, Kvadrat / Hallingdal 65, Kvadrat / Moss, Kvadrat, Sahco / Reflect, Kvadrat / Savanna, Kvadrat / Steelcut 2, Kvadrat / Steelcut Trio 3, Kvadrat	7.676,00
9290003	<i>Price Category 3</i> Arctic, JAB / Safire, Kvadrat, Sahco / Vidar 4, Kvadrat, Sahco / Zero, Kvadrat, Sahco	9.516,00
9290008	<i>Price Category 4</i> Doppiopanama, Dedar / Grand Mohair, Danish Art Weaving / Lupo, Dedar	9.996,00
<i>Leather — Shell with upholstery</i>		
9290004	<i>Price Category 1</i> Dakar, Nevotex / Ultra, Sørensen Leather	9.276,00
9290005	<i>Price Category 2</i> Dunes, Sørensen Leather / Nuance, Sørensen Leather	10.396,00
9290006	<i>Price Category 3</i> Royal Nubuck, Sørensen Leather	12.556,00
9290007	<i>Price Category 4</i> Elegance, Sørensen Leather	17.196,00



HARBOUR SIDE BAR CHAIR, PLASTIC
Designed by *Norm Architects*

[BACK TO START](#)

CORE

Bar chair with bare shell set on a powder coated steel base with footrest.

PRODUCT OPTIONS

Plastic shell



BLACK

BURNED RED

KHAKI



LIGHT GREY



OLIVE



WHITE

powder coated steel base



BLACK STEEL



TECHNICAL SPECIFICATIONS

COLLI

1

WEIGHT

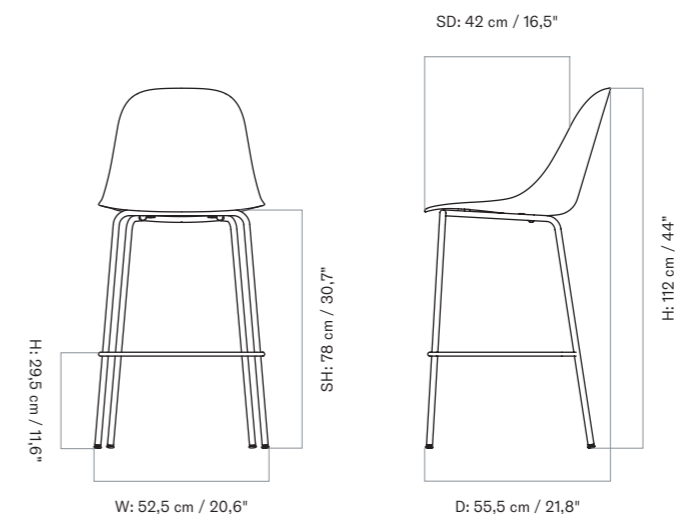
14 kg / 30,9 lb

TEST

EN1022:2005, L2
EN16139:2013, L2

CERTIFICATIONS

Declare.







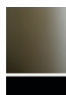



HARBOUR SIDE BAR CHAIR, PLASTIC
Designed by *Norm Architects*

[BACK TO START](#)

CORE

QUICK SHIP OPTIONS — PRICES IN SEK
Selected combinations up to 4 weeks delivery time.

SKU	VARIANT	EXCL. VAT
9280100-0000ZZZZ	 HARBOUR SIDE BAR CHAIR, BLACK STEEL / BLACK	3.516,00
9280100-0001ZZZZ	 HARBOUR SIDE BAR CHAIR, BLACK STEEL / BURNED RED	3.516,00
9280100-0002ZZZZ	 HARBOUR SIDE BAR CHAIR, BLACK STEEL / KHAKI	3.516,00
9280100-0003ZZZZ	 HARBOUR SIDE BAR CHAIR, BLACK STEEL / LIGHT GREY	3.516,00
9280100-0004ZZZZ	 HARBOUR SIDE BAR CHAIR, BLACK STEEL / OLIVE	3.516,00
9280100-0005ZZZZ	 HARBOUR SIDE BAR CHAIR, BLACK STEEL / WHITE	3.516,00



HARBOUR SIDE BAR CHAIR, material *black steel / burned red*, designer *Norm Architects*
 HARBOUR COLUMN BAR TABLE, material *black steel / black painted oak*, designer *Norm Architects*
 PLINTH TALL, material *grey Kendzo marble*, designer *Norm Architects*
 TROLL VASE, material *amber*, designer *Anderssen & Voll*
 BANK PENDANT, material *black / smoke*, designer *Norm Architects*



HARBOUR SIDE BAR CHAIR, UPHOLSTERED
Designed by *Norm Architects*

[BACK TO START](#)

CORE

Bar chair with upholstered shell set on a powder coated steel base with footrest. All Harbour chairs have been upgraded with extra foam in the seat for better sitting comfort, increasing from 15 mm in thickness to 25 mm.



PRODUCT OPTIONS

Shell



WITH UPHOLSTERY

powder coated steel base



BLACK STEEL

Spec options

Available in fabrics from our upholstery programme. Standard lead times apply.

For custom upholstery, please refer to the guiding textile/leather consumption:

COM: 1,27 m / 1,40 yds

COL: 2 m² / 21,54 sqft

Prices excl. custom upholstery are equal to Price Category 1 Textile or Leather. Contact Sales support for approval of custom upholstery and to place your order.

The above textile consumption is only valid for textile rolls with a width equal to or greater than 140 cm. For smaller textile rolls, please contact Sales Support for guidance. For textile with pattern, please expect a higher usage for correct pattern fitting. Please contact Sales Support for guidance.

TECHNICAL SPECIFICATIONS

COLLI

1

WEIGHT

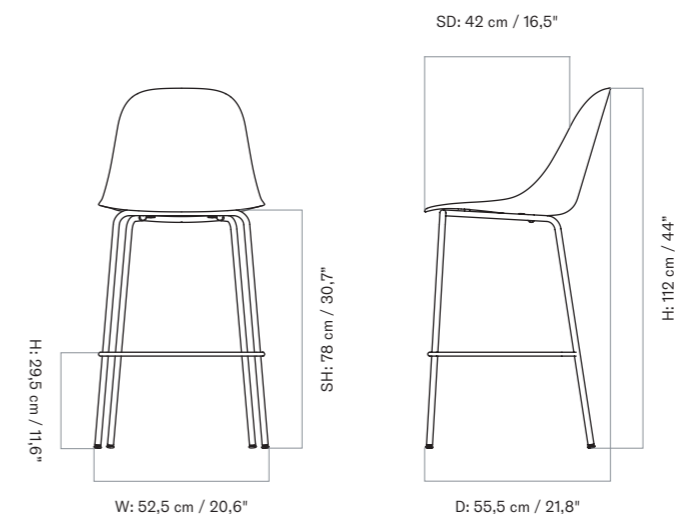
14 kg / 30,9 lb

TEST

EN1022:2005, L2
EN16139:2013, L2

CERTIFICATIONS

Declare.





HARBOUR SIDE BAR CHAIR, UPHOLSTERED
Designed by *Norm Architects*

[BACK TO START](#)

CORE

SPEC OPTIONS — PRICES IN SEK
6–8 weeks delivery time

SKU	VARIANT	EXCL. VAT
<i>Textile — Shell with upholstery</i>		
9280020	<i>Price Category 0</i> Audo Bouclé, Audo	5.276,00
9280001	<i>Price Category 1</i> Barnum Bouclé, Audo / Champion, JAB / Illusion, Nevotex / Hot Madison, JAB / Maple, Kvadrat / Remix 3, Kvadrat / Re-wool, Kvadrat	5.996,00
9280002	<i>Price Category 2</i> Canvas 2, Kvadrat / Clay, Kvadrat, Sahco / Colline 2, Kvadrat / Fiord 2, Kvadrat / Hallingdal 65, Kvadrat / Moss, Kvadrat, Sahco / Reflect, Kvadrat / Savanna, Kvadrat / Steelcut 2, Kvadrat / Steelcut Trio 3, Kvadrat	7.676,00
9280003	<i>Price Category 3</i> Arctic, JAB / Safire, Kvadrat, Sahco / Vidar 4, Kvadrat, Sahco / Zero, Kvadrat, Sahco	9.516,00
9280008	<i>Price Category 4</i> Doppiopanama, Dedar / Grand Mohair, Danish Art Weaving / Lupo, Dedar	9.996,00
<i>Leather — Shell with upholstery</i>		
9280004	<i>Price Category 1</i> Dakar, Nevotex / Ultra, Sørensen Leather	9.276,00
9280005	<i>Price Category 2</i> Dunes, Sørensen Leather / Nuance, Sørensen Leather	10.396,00
9280006	<i>Price Category 3</i> Royal Nubuck, Sørensen Leather	12.556,00
9280007	<i>Price Category 4</i> Elegance, Sørensen Leather	17.196,00

 Tearoom Club Chair →

 Tearoom Side Chair, Swivel w/Return →

 Tearoom Lounge Chair →

 Tearoom Lounge Chair, Swivel w/Return →

 Tearoom Lounge Chair, High Back →

 Tearoom Lounge Chair, High Back w/Power Outlet →



TEAROOM CLUB CHAIR
Designed by *Nick Ross*

[BACK TO START](#)

CORE

Upholstered club chair with black MDF base.

PRODUCT OPTIONS

Seat



WITH UPHOLSTERY

Spec options

Available in fabrics from our upholstery programme. Standard lead times apply.

For custom upholstery, please refer to the guiding textile/leather consumption:
COM: 2,1 m / 2,31 yds

Prices excl. custom upholstery are equal to Price Category 1 Textile or Leather. Contact Sales support for approval of custom upholstery and to place your order.

The above textile consumption is only valid for textile rolls with a width equal to or greater than 140 cm. For smaller textile rolls, please contact Sales Support for guidance. For textile with pattern, please expect a higher usage for correct pattern fitting. Please contact Sales Support for guidance.

TECHNICAL SPECIFICATIONS

COLLI

1

WEIGHT

15 kg / 33,1 lb

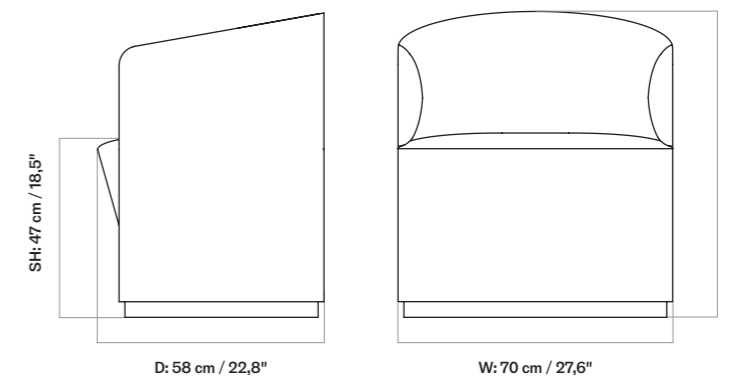
TEST

N / A

CERTIFICATIONS

TSCA title IV compliant

Declare.





TEAROOM CLUB CHAIR
Designed by *Nick Ross*

[BACK TO START](#)

CORE

SPEC OPTIONS — PRICES IN SEK
6–8 weeks delivery time

SKU	VARIANT	EXCL. VAT
9600020	<i>Price Category 0</i> Audo Bouclé, Audo	13.596,00
9600001	<i>Price Category 1</i> Barnum Bouclé, Audo / Champion, JAB / Illusion, Nevotex / Hot Madison, JAB / Maple, Kvadrat / Remix 3, Kvadrat / Re-wool, Kvadrat	15.356,00
9600002	<i>Price Category 2</i> Canvas 2, Kvadrat / Clay, Kvadrat, Sahco / Colline 2, Kvadrat / Fiord 2, Kvadrat / Hallingdal 65, Kvadrat / Moss, Kvadrat, Sahco / Reflect, Kvadrat / Savanna, Kvadrat / Steelcut 2, Kvadrat / Steelcut Trio 3, Kvadrat	17.196,00
9600003	<i>Price Category 3</i> Arctic, JAB / Safire, Kvadrat, Sahco / Vidar 4, Kvadrat, Sahco / Zero, Kvadrat, Sahco	18.956,00
9600008	<i>Price Category 4</i> Cabanon Soft, Designers Guild / Doppioanama, Dedar / Grand Mohair, Danish Art Weaving / Lupo, Dedar	20.716,00



TEAROOM SIDE CHAIR, SWIVEL W/RETURN
Designed by *Nick Ross*

[BACK TO START](#)

CORE

With its luxurious look and feel, the Tearoom Side Chair, Swivel is an elegant addition to any space. From its open silhouette and supportive curves to its richly detailed upholstery and recessed plinth base, the distinctive design is considered to the last detail. Its smooth, 190-degree return swivel function ensures full freedom of movement.

PRODUCT OPTIONS

Seat



WITH UPHOLSTERY

Spec options

Available in fabrics from our upholstery programme. Standard lead times apply.

For custom upholstery, please refer to the guiding textile/leather consumption:
COM: 2,1 m / 2,31 yds

Prices excl. custom upholstery are equal to Price Category 1 Textile or Leather. Contact Sales support for approval of custom upholstery and to place your order.

The above textile consumption is only valid for textile rolls with a width equal to or greater than 140 cm. For smaller textile rolls, please contact Sales Support for guidance. For textile with pattern, please expect a higher usage for correct pattern fitting. Please contact Sales Support for guidance.

TECHNICAL SPECIFICATIONS

COLLI

1

WEIGHT

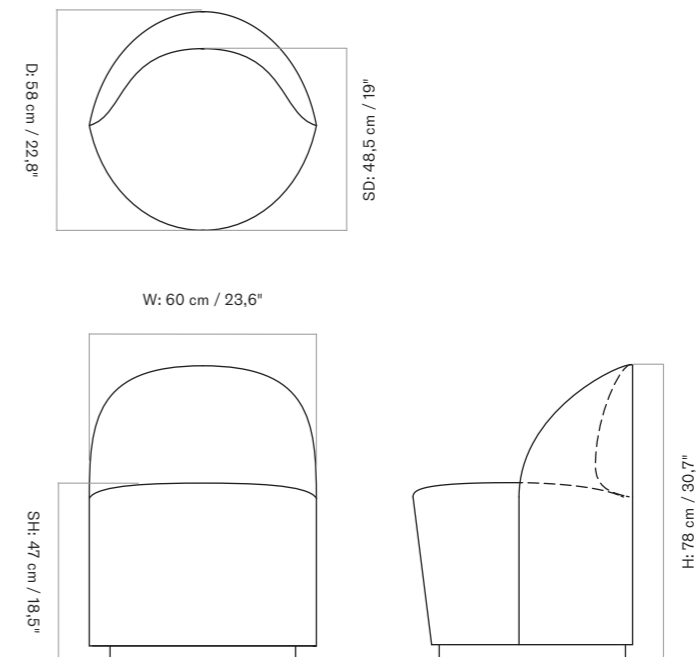
17.8 kg / 39,2 lb

TEST

N / A

CERTIFICATIONS

Declare.





TEAROOM SIDE CHAIR, SWIVEL W/RETURN
Designed by *Nick Ross*

[BACK TO START](#)

CORE

SPEC OPTIONS — PRICES IN SEK
6–8 weeks delivery time

SKU	VARIANT	EXCL. VAT
9609200	<i>Price Category 0</i> Audo Bouclé, Audo	15.356,00
9609201	<i>Price Category 1</i> Barnum Bouclé, Audo / Champion, JAB / Illusion, Nevotex / Hot Madison, JAB / Maple, Kvadrat / Remix 3, Kvadrat / Re-wool, Kvadrat	17.196,00
9609202	<i>Price Category 2</i> Canvas 2, Kvadrat / Clay, Kvadrat, Sahco / Colline 2, Kvadrat / Fiord 2, Kvadrat / Hallingdal 65, Kvadrat / Moss, Kvadrat, Sahco / Reflect, Kvadrat / Savanna, Kvadrat / Steelcut 2, Kvadrat / Steelcut Trio 3, Kvadrat	18.316,00
9609203	<i>Price Category 3</i> Arctic, JAB / Safire, Kvadrat, Sahco / Vidar 4, Kvadrat, Sahco / Zero, Kvadrat, Sahco	19.516,00
9609204	<i>Price Category 4</i> Cabanon Soft, Designers Guild / Doppiopanama, Dedar / Grand Mohair, Danish Art Weaving / Lupo, Dedar	22.156,00



TEAROOM LOUNGE CHAIR
Designed by *Nick Ross*

[BACK TO START](#)

CORE

Upholstered lounge chair with black MDF base.

PRODUCT OPTIONS

TECHNICAL SPECIFICATIONS

Seat



WITH UPHOLSTERY

Spec options

Available in fabrics from our upholstery programme. Standard lead times apply.

For custom upholstery, please refer to the guiding textile/leather consumption:
COM: 2,6 m / 2,86 yds

Prices excl. custom upholstery are equal to Price Category 1 Textile or Leather. Contact Sales support for approval of custom upholstery and to place your order.

The above textile consumption is only valid for textile rolls with a width equal to or greater than 140 cm. For smaller textile rolls, please contact Sales Support for guidance. For textile with pattern, please expect a higher usage for correct pattern fitting. Please contact Sales Support for guidance.

COLLI

1

WEIGHT

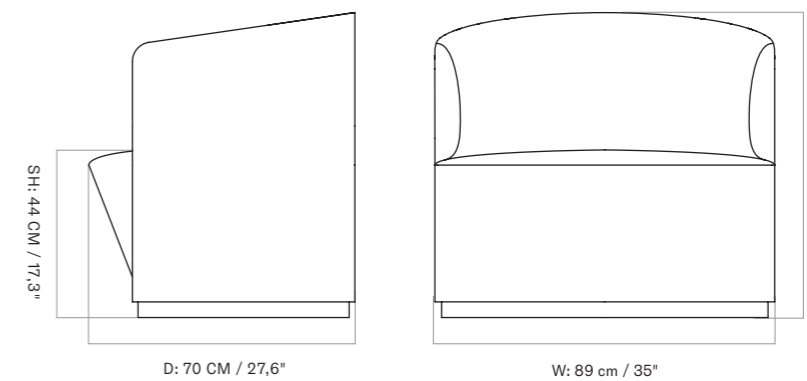
18 kg / 39,7 lb

TEST

N / A

CERTIFICATIONS

TSCA title IV compliant





TEAROOM LOUNGE CHAIR
Designed by *Nick Ross*

[BACK TO START](#)

CORE

SPEC OPTIONS — PRICES IN SEK
6–8 weeks delivery time

SKU	VARIANT	EXCL. VAT
9605020	<i>Price Category 0</i> Audo Bouclé, Audo	17.276,00
9605001	<i>Price Category 1</i> Barnum Bouclé, Audo / Champion, JAB / Illusion, Nevotex / Hot Madison, JAB / Maple, Kvadrat / Remix 3, Kvadrat / Re-wool, Kvadrat	19.276,00
9605002	<i>Price Category 2</i> Canvas 2, Kvadrat / Clay, Kvadrat, Sahco / Colline 2, Kvadrat / Fiord 2, Kvadrat / Hallingdal 65, Kvadrat / Moss, Kvadrat, Sahco / Reflect, Kvadrat / Savanna, Kvadrat / Steelcut 2, Kvadrat / Steelcut Trio 3, Kvadrat	21.996,00
9605003	<i>Price Category 3</i> Arctic, JAB / Safire, Kvadrat, Sahco / Vidar 4, Kvadrat, Sahco / Zero, Kvadrat, Sahco	24.796,00
9605008	<i>Price Category 4</i> Doppiopanama, Dedar / Grand Mohair, Danish Art Weaving / Lupo, Dedar	27.596,00



TEAROOM LOUNGE CHAIR, SWIVEL W/RETURN
Designed by *Nick Ross*

[BACK TO START](#)

CORE

Upholstered lounge chair with black MDF base.

PRODUCT OPTIONS

Seat



WITH UPHOLSTERY

Spec options

Available in fabrics from our upholstery programme. Standard lead times apply.

For custom upholstery, please refer to the guiding textile/leather consumption:
COM: 2,6 m / 2,86 yds

Prices excl. custom upholstery are equal to Price Category 1 Textile or Leather. Contact Sales support for approval of custom upholstery and to place your order.

The above textile consumption is only valid for textile rolls with a width equal to or greater than 140 cm. For smaller textile rolls, please contact Sales Support for guidance. For textile with pattern, please expect a higher usage for correct pattern fitting. Please contact Sales Support for guidance.

TECHNICAL SPECIFICATIONS

COLLI

1

WEIGHT

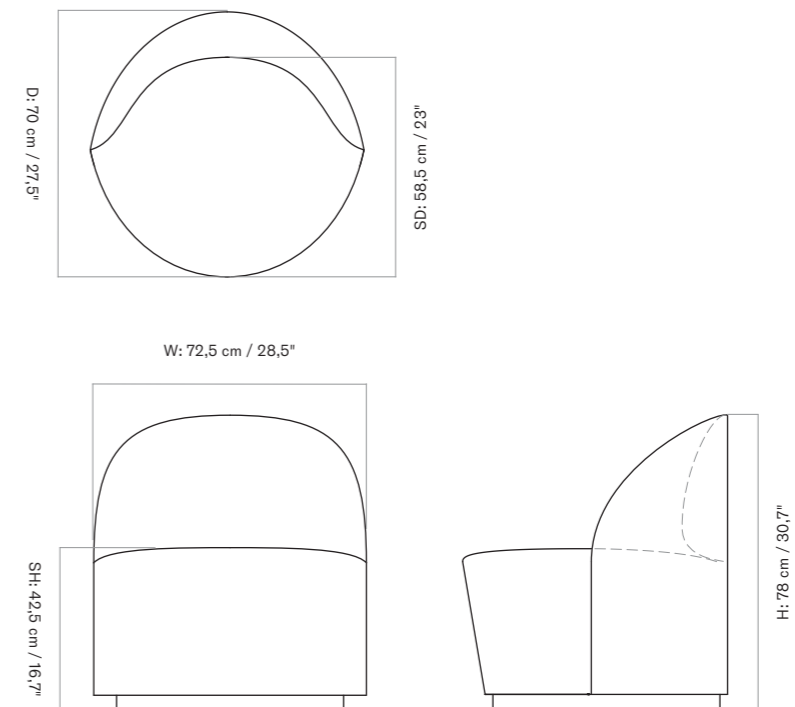
24 kg / 52,9 lb

TEST

N / A

CERTIFICATIONS

Declare.





TEAROOM LOUNGE CHAIR, SWIVEL W/RETURN
Designed by *Nick Ross*

[BACK TO START](#)

CORE

SPEC OPTIONS — PRICES IN SEK
6–8 weeks delivery time

SKU	VARIANT	EXCL. VAT
9608200	<i>Price Category 0</i> Audo Bouclé, Audo	19.276,00
9608201	<i>Price Category 1</i> Barnum Bouclé, Audo / Champion, JAB / Illusion, Nevotex / Hot Madison, JAB / Maple, Kvadrat / Remix 3, Kvadrat / Re-wool, Kvadrat	21.676,00
9608202	<i>Price Category 2</i> Canvas 2, Kvadrat / Clay, Kvadrat, Sahco / Colline 2, Kvadrat / Fiord 2, Kvadrat / Hallingdal 65, Kvadrat / Moss, Kvadrat, Sahco / Reflect, Kvadrat / Savanna, Kvadrat / Steelcut 2, Kvadrat / Steelcut Trio 3, Kvadrat	24.316,00
9608203	<i>Price Category 3</i> Arctic, JAB / Safire, Kvadrat, Sahco / Vidar 4, Kvadrat, Sahco / Zero, Kvadrat, Sahco	25.836,00
9608204	<i>Price Category 4</i> Cabanon Soft, Designers Guild / Doppiopanama, Dedar / Grand Mohair, Danish Art Weaving / Lupo, Dedar	30.556,00



CORE

TEAROOM LOUNGE CHAIR, HIGH BACK Designed by *Nick Ross*

[BACK TO START](#)

The high back version of the Tearoom Lounge Chair offers moments of quiet contemplation in busy spaces. Expressive and elegant, the secluded, foam-filled furniture piece rests on a wooden base for a natural contrast to the upholstered seat.

PRODUCT OPTIONS

Seat



WITH UPHOLSTERY

Spec options

Available in fabrics from our upholstery programme. Standard lead times apply.

For custom upholstery, please refer to the guiding textile/leather consumption:
COM: 4,2 m / 4,62 yds

Prices excl. custom upholstery are equal to Price Category 1 Textile or Leather. Contact Sales support for approval of custom upholstery and to place your order.

The above textile consumption is only valid for textile rolls with a width equal to or greater than 140 cm. For smaller textile rolls, please contact Sales Support for guidance. For textile with pattern, please expect a higher usage for correct pattern fitting. Please contact Sales Support for guidance.

TECHNICAL SPECIFICATIONS

COLLI

1

WEIGHT

31,5 kg / 69,45 lb

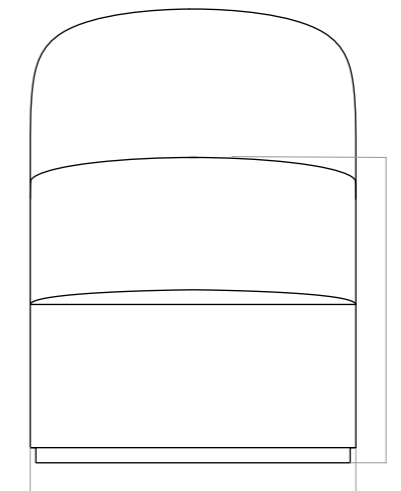
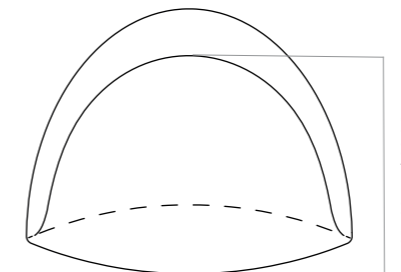
TEST

N / A

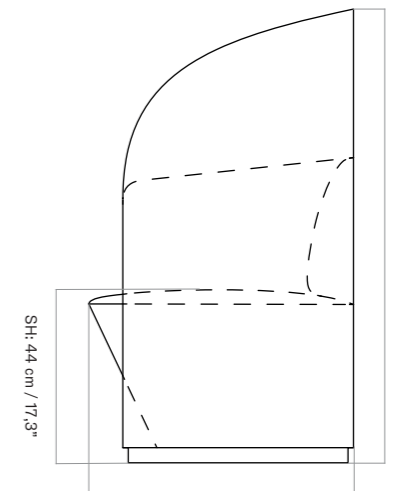
CERTIFICATIONS

TSCA title IV compliant

Declare.



W: 89 cm / 35,04



SH: 44 cm / 17,3''

D: 73 cm / 28,7''



TEAROOM LOUNGE CHAIR, HIGH BACK
Designed by *Nick Ross*

[BACK TO START](#)

CORE

SPEC OPTIONS — PRICES IN SEK
6–8 weeks delivery time

SKU	VARIANT	EXCL. VAT
9606000	<i>Price Category 0</i> Audo Bouclé, Audo	21.916,00
9606001	<i>Price Category 1</i> Barnum Bouclé, Audo / Champion, JAB / Illusion, Nevotex / Hot Madison, JAB / Maple, Kvadrat / Remix 3, Kvadrat / Re-wool, Kvadrat	24.796,00
9606002	<i>Price Category 2</i> Canvas 2, Kvadrat / Clay, Kvadrat, Sahco / Colline 2, Kvadrat / Fiord 2, Kvadrat / Hallingdal 65, Kvadrat / Moss, Kvadrat, Sahco / Reflect, Kvadrat / Savanna, Kvadrat / Steelcut 2, Kvadrat / Steelcut Trio 3, Kvadrat	27.756,00
9606003	<i>Price Category 3</i> Arctic, JAB / Safire, Kvadrat, Sahco / Vidar 4, Kvadrat, Sahco / Zero, Kvadrat, Sahco	30.556,00
9606004	<i>Price Category 4</i> Doppiopanama, Dedar / Grand Mohair, Danish Art Weaving / Lupo, Dedar	32.316,00



CORE

TEAROOM LOUNGE CHAIR, HIGH BACK W/POWER OUTLET Designed by *Nick Ross*

[BACK TO START](#)

The high back version of the Tearoom Lounge Chair offers moments of quiet contemplation in busy spaces. Expressive and elegant, the secluded, foam-filled furniture piece rests on a wooden base for a natural contrast to the upholstered seat. The addition of a USB-C port and power socket at the base makes it a practical spot for work as well as play.

PRODUCT OPTIONS

Seat



WITH UPHOLSTERY

Spec options

Available in fabrics from our upholstery programme. Standard lead times apply.

For custom upholstery, please refer to the guiding textile/leather consumption:
COM: 4,2 m / 4,62 yds

Prices excl. custom upholstery are equal to Price Category 1 Textile or Leather. Contact Sales support for approval of custom upholstery and to place your order.

The above textile consumption is only valid for textile rolls with a width equal to or greater than 140 cm. For smaller textile rolls, please contact Sales Support for guidance. For textile with pattern, please expect a higher usage for correct pattern fitting. Please contact Sales Support for guidance.

TECHNICAL SPECIFICATIONS

COLLI

1

WEIGHT

31,5 kg / 69,45 lb

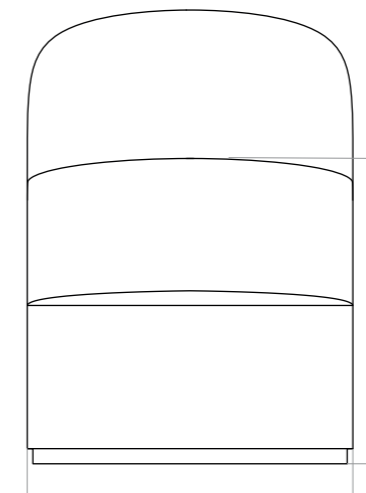
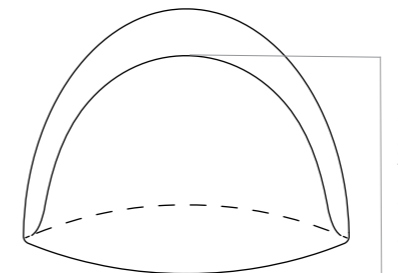
TEST

N / A

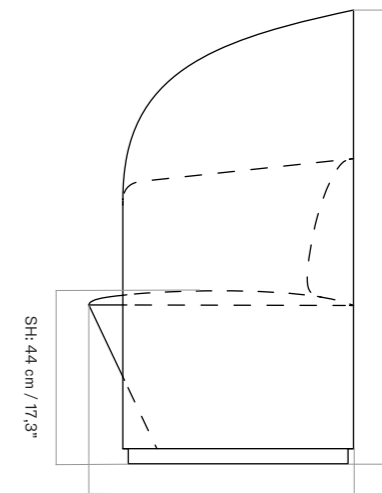
CERTIFICATIONS

TSCA title IV compliant

Declare.



W: 89 cm / 35,04



D: 73 cm / 28,7"



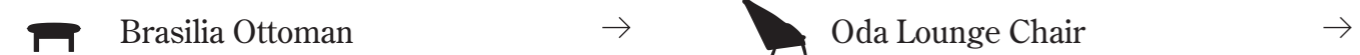
TEAROOM LOUNGE CHAIR, HIGH BACK W/POWER OUTLET
Designed by *Nick Ross*

[BACK TO START](#)

CORE

SPEC OPTIONS — PRICES IN SEK
6–8 weeks delivery time

SKU	VARIANT	EXCL. VAT
9607100	<i>Price Category 0</i> Audo Bouclé, Audo	23.756,00
9607101	<i>Price Category 1</i> Barnum Bouclé, Audo / Champion, JAB / Illusion, Nevotex / Hot Madison, JAB / Maple, Kvadrat / Remix 3, Kvadrat / Re-wool, Kvadrat	26.636,00
9607102	<i>Price Category 2</i> Canvas 2, Kvadrat / Clay, Kvadrat, Sahco / Colline 2, Kvadrat / Fiord 2, Kvadrat / Hallingdal 65, Kvadrat / Moss, Kvadrat, Sahco / Reflect, Kvadrat / Savanna, Kvadrat / Steelcut 2, Kvadrat / Steelcut Trio 3, Kvadrat	29.436,00
9607103	<i>Price Category 3</i> Arctic, JAB / Safire, Kvadrat, Sahco / Vidar 4, Kvadrat, Sahco / Zero, Kvadrat, Sahco	32.396,00
9607104	<i>Price Category 4</i> Doppiopanama, Dedar / Grand Mohair, Danish Art Weaving / Lupo, Dedar	34.156,00





CO LOUNGE CHAIR, SEAT UPHOLSTERED
Designed by *Norm Architects & Els Van Hoorebeeck*

[BACK TO START](#)

CORE

Profiling a more laid-back look than its dining counterparts, the comfortable Co Lounge Chair, designed for Audo by Norm Architects and Els Van Hoorebeeck, features curved armrests and an upholstered seat to support and embrace the body. The slender yet strong powder coated steel base lends a feeling of lightness to the design.



PRODUCT OPTIONS

Seat

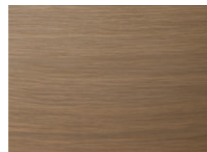


WITH UPHOLSTERY

Backrest and Armrest



NATURAL OAK



DARK STAINED OAK



BLACK OAK

Steel base



BLACK POWDER
COATED STEEL

Spec options

Available in fabrics from our upholstery programme.
Standard lead times apply.

For custom upholstery, please refer to the guiding
textile/leather consumption:
COM: 0,73 m / 0,803 yds
COL: 0,94 m² / 10,1238 sqft

Prices excl. custom upholstery are equal to Price Category 1
Textile or Leather. Contact Sales support for approval of custom
upholstery and to place your order.

The above textile consumption is only valid for textile rolls with a width equal to
or greater than 140 cm. For smaller textile rolls, please contact Sales Support for
guidance. For textile with pattern, please expect a higher usage for correct pattern
fitting. Please contact Sales Support for guidance.

TECHNICAL SPECIFICATIONS

COLLI

1

WEIGHT

7,5 kg / 16,5 lb

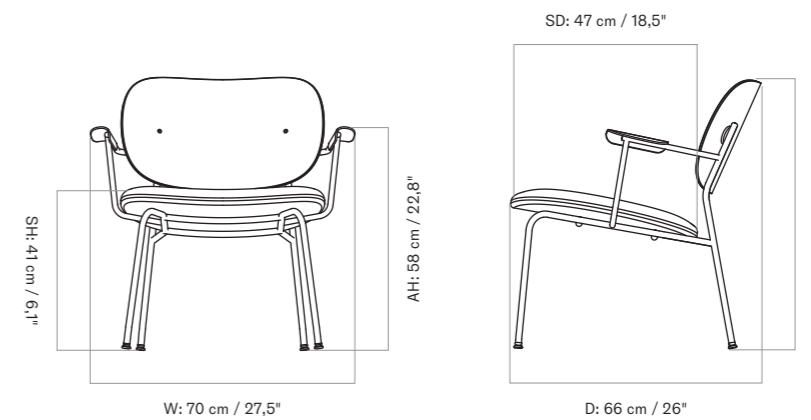
TEST

EN1022:2005, L2
EN16139:2013, L2

CERTIFICATIONS

FSC Certified

Declare. Declare.





CO LOUNGE CHAIR, SEAT UPHOLSTERED
Designed by *Norm Architects & Els Van Hoorebeeck*

[BACK TO START](#)

CORE

SPEC OPTIONS — PRICES IN SEK
6–8 weeks delivery time

SKU	VARIANT	EXCL. VAT
<i>Textile — Seat with upholstery</i>		
1195020	<i>Price Category 0</i> Audo Bouclé, Audo	7.196,00
1195001	<i>Price Category 1</i> Barnum Bouclé, Audo / Champion, JAB / Illusion, Nevotex / Hot Madison, JAB / Maple, Kvadrat / Remix 3, Kvadrat / Re-wool, Kvadrat	8.316,00
1195002	<i>Price Category 2</i> Canvas 2, Kvadrat / Clay, Kvadrat, Sahco / Colline 2, Kvadrat / Fiord 2, Kvadrat / Hallingdal 65, Kvadrat / Moss, Kvadrat, Sahco / Reflect, Kvadrat / Savanna, Kvadrat / Steelcut 2, Kvadrat / Steelcut Trio 3, Kvadrat	8.636,00
1195003	<i>Price Category 3</i> Arctic, JAB / Safire, Kvadrat, Sahco / Vidar 4, Kvadrat, Sahco / Zero, Kvadrat, Sahco	8.876,00
1195008	<i>Price Category 4</i> Cabanon Soft, Designers Guild / Doppio Panama, Dedar / Grand Mohair, Danish Art Weaving / Lupo, Dedar	12.476,00
<i>Leather — Seat with upholstery</i>		
1195004	<i>Price Category 1</i> Dakar, Nevotex / Envy, Sørensen Leather / Ultra, Sørensen Leather	8.876,00
1195005	<i>Price Category 2</i> Dunes, Sørensen Leather / Nuance, Sørensen Leather	9.276,00
1195006	<i>Price Category 3</i> Royal Nubuck, Sørensen Leather	9.836,00
1195007	<i>Price Category 4</i> Elegance, Sørensen Leather	10.396,00



CO LOUNGE CHAIR, FULLY UPHOLSTERED
Designed by *Norm Architects & Els Van Hoorebeeck*

[BACK TO START](#)

CORE

Profiling a more laid-back look than its dining counterparts, the comfortable Co Lounge Chair, designed by Audo by Norm Architects and Els Van Hoorebeeck, features curved armrests and an upholstered seat and backrest angled to support and embrace the body. The slender yet strong powder coated steel base lends a feeling of lightness to the design.



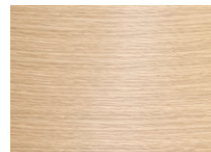
PRODUCT OPTIONS

Seat and backrest



UPHOLSTERED

Backrest and Armrest



NATURAL OAK



DARK STAINED OAK



BLACK OAK

Steel base



BLACK POWDER
COATED STEEL

Spec options

Available in fabrics from our upholstery programme.
Standard lead times apply.

For custom upholstery, please refer to the guiding
textile/leather consumption:
COM: 0,91 m / 1,001 yds
COL: 1,7 m² / 10,1238 sqft

Prices excl. custom upholstery are equal to Price Category 1
Textile or Leather. Contact Sales support for approval of custom
upholstery and to place your order.

The above textile consumption is only valid for textile rolls with a width equal to
or greater than 140 cm. For smaller textile rolls, please contact Sales Support for
guidance. For textile with pattern, please expect a higher usage for correct pattern
fitting. Please contact Sales Support for guidance.

TECHNICAL SPECIFICATIONS

COLLI

1

WEIGHT

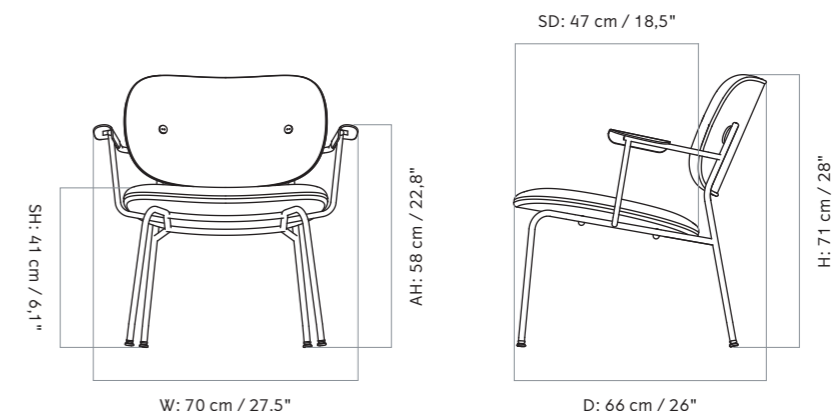
Upholstered seat:
7,5 kg / 16,5 lb
Fully Upholstered:
8,5 kg / 18,7 lb

TEST

EN1022:2005, L2
EN16139:2013, L2

CERTIFICATIONS

FSC Certified
Declare. Declare.





CO LOUNGE CHAIR, FULLY UPHOLSTERED
Designed by *Norm Architects & Els Van Hoorebeeck*

[BACK TO START](#)

CORE

SPEC OPTIONS — PRICES IN SEK
6–8 weeks delivery time

SKU	VARIANT	EXCL. VAT
<i>Textile — Seat and backrest with upholstery</i>		
1197020	<i>Price Category 0</i> Audo Bouclé, Audo	8.956,00
1197001	<i>Price Category 1</i> Barnum Bouclé, Audo / Champion, JAB / Illusion, Nevotex / Hot Madison, JAB / Maple, Kvadrat / Remix 3, Kvadrat / Re-wool, Kvadrat	10.476,00
1197002	<i>Price Category 2</i> Canvas 2, Kvadrat / Clay, Kvadrat, Sahco / Colline 2, Kvadrat / Fiord 2, Kvadrat / Hallingdal 65, Kvadrat / Moss, Kvadrat, Sahco / Reflect, Kvadrat / Savanna, Kvadrat / Steelcut 2, Kvadrat / Steelcut Trio 3, Kvadrat	10.716,00
1197003	<i>Price Category 3</i> Arctic, JAB / Safire, Kvadrat, Sahco / Vidar 4, Kvadrat, Sahco / Zero, Kvadrat, Sahco	11.196,00
1197008	<i>Price Category 4</i> Cabanon Soft, Designers Guild / Doppiopanama, Dedar / Grand Mohair, Danish Art Weaving / Lupo, Dedar	15.756,00
<i>Leather — Seat and backrest with upholstery</i>		
1197004	<i>Price Category 1</i> Dakar, Nevotex / Envy, Sørensens Leather / Ultra, Sørensens Leather	11.196,00
1197005	<i>Price Category 2</i> Dunes, Sørensens Leather / Nuance, Sørensens Leather	11.756,00
1197006	<i>Price Category 3</i> Royal Nubuck, Sørensens Leather	12.236,00
1197007	<i>Price Category 4</i> Elegance, Sørensens Leather	12.956,00



HARBOUR LOUNGE CHAIR

Designed by *Norm Architects*

[BACK TO START](#)

CORE

Solid wood base chair in natural, dark stained or black oak or walnut with visible joinery. Upholstered moulded foam shell, angled backrest and curved armrests. Corresponding upholstered cushion.



PRODUCT OPTIONS

Shell



UPHOLSTERED

Solid oak base

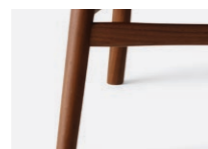


NATURAL OAK

DARK STAINED OAK

BLACK OAK

Walnut base



WALNUT

Spec options

Available in fabrics from our upholstery programme. Standard lead times apply.

For custom upholstery, please refer to the guiding textile/leather consumption:

Lounge Chair COM: 2,3 m / 3,25 yds

Lounge Chair COL: 2,53 m² / 35,0025 sqft

Cushion COM: 0,72 m / 0,792 yds

Cushion COL: 0,9 m² / 9,693 sqft

Prices excl. custom upholstery are equal to Price Category 1 Textile or Leather. Contact Sales support for approval of custom upholstery and to place your order.

The above textile consumption is only valid for textile rolls with a width equal to or greater than 140 cm. For smaller textile rolls, please contact Sales Support for guidance. For textile with pattern, please expect a higher usage for correct pattern fitting. Please contact Sales Support for guidance.

TECHNICAL SPECIFICATIONS

COLLI

1

WEIGHT

17 kg / 37,5 lb

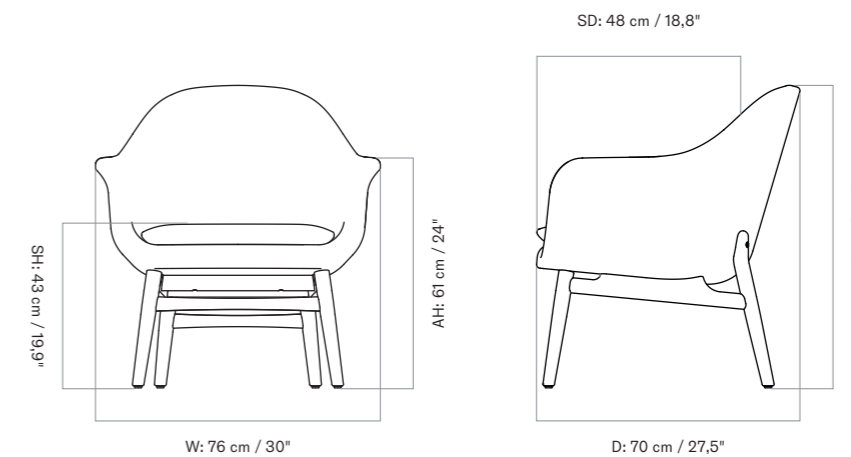
TEST

N / A

CERTIFICATIONS

Crafted from FSC certified oak

Declare.





HARBOUR LOUNGE CHAIR
Designed by *Norm Architects*

[BACK TO START](#)

CORE

SPEC OPTIONS — PRICES IN SEK
6–8 weeks delivery time

SKU	VARIANT	EXCL. VAT
<i>Textile — Upholstered shell with cushion — Oak base</i>		
9255120	<i>Price Category 0</i> Audo Bouclé, Audo	14.796,00
9255101	<i>Price Category 1</i> Barnum Bouclé, Audo / Hot Madison, JAB / Remix 3, Kvadrat / Re-wool, Kvadrat	17.516,00
9255102	<i>Price Category 2</i> Canvas 2, Kvadrat / Clay, Kvadrat, Sahco / Colline 2, Kvadrat / Fiord 2, Kvadrat / Hallingdal 65, Kvadrat / Moss, Kvadrat, Sahco / Reflect, Kvadrat / Savanna, Kvadrat / Steelcut 2, Kvadrat / Steelcut Trio 3, Kvadrat	21.676,00
9255103	<i>Price Category 3</i> Arctic, JAB / Safire, Kvadrat, Sahco / Vidar 4, Kvadrat, Sahco / Zero, Kvadrat, Sahco	26.876,00
9255108	<i>Price Category 4</i> Doppiopanama, Dedar / Grand Mohair, Danish Art Weaving / Lupo, Dedar	28.476,00
<i>Leather — Upholstered shell with cushion — Oak base</i>		
9255104	<i>Price Category 1</i> Dakar, Nevotex / Ultra, Sørensen Leather	25.996,00
9255105	<i>Price Category 2</i> Dunes, Sørensen Leather / Nuance, Sørensen Leather	30.236,00
9255106	<i>Price Category 3</i> Royal Nubuck, Sørensen Leather	34.476,00
9255107	<i>Price Category 4</i> Elegance, Sørensen Leather	36.236,00



KNITTING LOUNGE CHAIR

Designed by *Ib Kofod-Larsen*

[BACK TO START](#)

CORE

First launched as a limited edition in 1951, Ib Kofod-Larsen's Knitting Lounge Chair is reimagined with a natural oak, dark stained oak or walnut frame. The distinctive piece is meticulously handcrafted by skilled artisans, merging traditional craftsmanship techniques with modern technology to create an unforgettable and timeless design of the highest quality.

PRODUCT OPTIONS

Seat



WITH UPHOLSTERY

WITH SHEEPSKIN

Oak or walnut base



NATURAL OAK

DARK STAINED OAK

WALNUT

Spec options

Available in fabrics from our upholstery programme. Standard lead times apply.

For custom upholstery, please refer to the guiding

textile/leather consumption:

COM: 1,7 m / 1,87 yds

COL: 3,15 m² / 33,9255 sqft

Prices excl. custom upholstery are equal to Price Category 1 Textile or Leather. Contact Sales support for approval of custom upholstery and to place your order.

The above textile consumption is only valid for textile rolls with a width equal to or greater than 140 cm. For smaller textile rolls, please contact Sales Support for guidance. For textile with pattern, please expect a higher usage for correct pattern fitting. Please contact Sales Support for guidance.

TECHNICAL SPECIFICATIONS

COLLI

1

WEIGHT

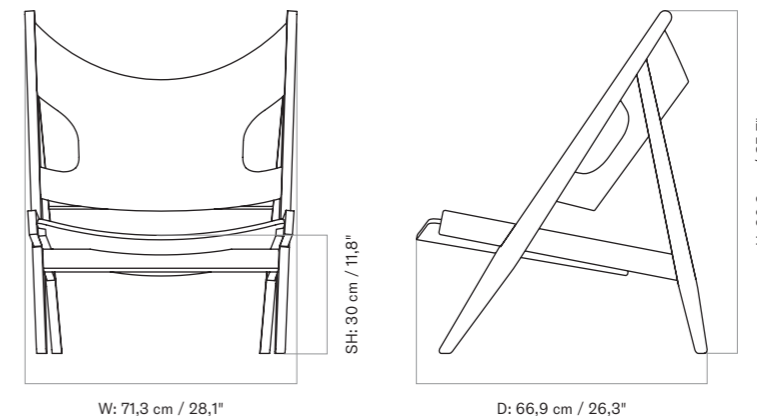
11 kg / 24,3 lb

TEST

N / A

CERTIFICATIONS

Declare.





KNITTING LOUNGE CHAIR
Designed by *Ib Kofod-Larsen*

[BACK TO START](#)

CORE

SPEC OPTIONS — PRICES IN SEK
6–8 weeks delivery time

SPEC OPTIONS — PRICES IN SEK
6–8 weeks delivery time

SKU	VARIANT	EXCL. VAT
<i>Textile — Seat and backrest with upholstery — Oak base</i>		
9680020	<i>Price Category 0</i> Audo Bouclé, Audo	17.836,00
9680001	<i>Price Category 1</i> Barnum Bouclé, Audo / Champion, JAB / Illusion, Nevotex / Maple, Kvadrat / Remix 3, Kvadrat / Re-wool, Kvadrat	20.796,00
9680002	<i>Price Category 2</i> Canvas 2, Kvadrat / Clay, Kvadrat, Sahco / Colline 2, Kvadrat / Fiord 2, Kvadrat / Hallingdal 65, Kvadrat / Moss, Kvadrat, Sahco / Reflect, Kvadrat / Savanna, Kvadrat / Steelcut 2, Kvadrat / Steelcut Trio 3, Kvadrat	22.876,00
9680003	<i>Price Category 3</i> Arctic, JAB / Safire, Kvadrat, Sahco / Vidar 4, Kvadrat, Sahco / Zero, Kvadrat, Sahco	23.996,00
9680008	<i>Price Category 4</i> Cabanon Soft, Designers Guild / Doppioanama, Dedar / Grand Mohair, Danish Art Weaving / Lupo, Dedar	24.796,00
<i>Leather — Seat and backrest with upholstery — Oak base</i>		
9680004	<i>Price Category 1</i> Dakar, Nevotex / Envy, Sørensen Leather / Ultra, Sørensen Leather	27.196,00
9680005	<i>Price Category 2</i> Dunes, Sørensen Leather / Nuance, Sørensen Leather	29.276,00
9680006	<i>Price Category 3</i> Royal Nubuck, Sørensen Leather / Sheepskin, Nevotex	33.196,00
9680007	<i>Price Category 4</i> Elegance, Sørensen Leather	37.036,00

SKU	VARIANT	EXCL. VAT
<i>Textile — Seat and backrest with upholstery — Walnut base</i>		
9682020	<i>Price Category 0</i> Audo Bouclé, Audo	19.836,00
9682001	<i>Price Category 1</i> Barnum Bouclé, Audo / Champion, JAB / Illusion, Nevotex / Maple, Kvadrat / Remix 3, Kvadrat / Re-wool, Kvadrat	23.196,00
9682002	<i>Price Category 2</i> Canvas 2, Kvadrat / Clay, Kvadrat, Sahco / Colline 2, Kvadrat / Fiord 2, Kvadrat / Hallingdal 65, Kvadrat / Moss, Kvadrat, Sahco / Reflect, Kvadrat / Savanna, Kvadrat / Steelcut 2, Kvadrat / Steelcut Trio 3, Kvadrat	25.756,00
9682003	<i>Price Category 3</i> Arctic, JAB / Safire, Kvadrat, Sahco / Vidar 4, Kvadrat, Sahco / Zero, Kvadrat, Sahco	26.876,00
9682008	<i>Price Category 4</i> Cabanon Soft, Designers Guild / Doppioanama, Dedar / Grand Mohair, Danish Art Weaving / Lupo, Dedar	27.516,00
<i>Leather — Seat and backrest with upholstery — Walnut base</i>		
9682004	<i>Price Category 1</i> Dakar, Nevotex / Envy, Sørensen Leather / Ultra, Sørensen Leather	29.916,00
9682005	<i>Price Category 2</i> Dunes, Sørensen Leather / Nuance, Sørensen Leather	32.396,00
9682006	<i>Price Category 3</i> Royal Nubuck, Sørensen Leather / Sheepskin, Nevotex	37.036,00
9682007	<i>Price Category 4</i> Elegance, Sørensen Leather	39.916,00



BRASILIA LOUNGE CHAIR
Designed by *Anderssen & Voll*

[BACK TO START](#)

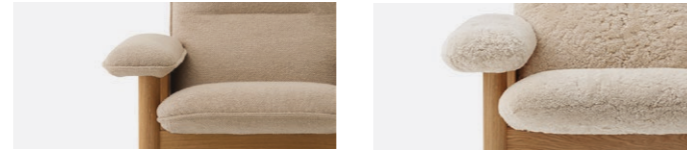
CORE

Designed for Audo by Anderssen & Voll, the Brasilia Lounge Chair is inspired by Scandinavian mid-century design aesthetics and Brazilian Modernism. Chunky wooden legs lend a feeling of strength and stability to the design, while the upholstered back, seat and armrests add a sense of comfort and ease.



PRODUCT OPTIONS

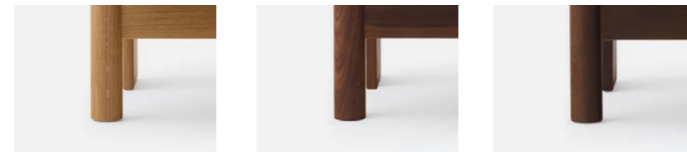
Seat



WITH UPHOLSTERY

WITH SHEEPSKIN

Oak or walnut base



NATURAL OAK

DARK STAINED OAK

WALNUT

Spec options

Available in fabrics from our upholstery programme. Standard lead times apply.

For custom upholstery, please refer to the guiding textile/leather consumption:

COM: 2,45 m / 2,7 yds

COL: 6,9 m² / 74,3 sqft

Prices excl. custom upholstery are equal to Price Category 1 Textile or Leather. Contact Sales support for approval of custom upholstery and to place your order.

The above textile consumption is only valid for textile rolls with a width equal to or greater than 140 cm. For smaller textile rolls, please contact Sales Support for guidance. For textile with pattern, please expect a higher usage for correct pattern fitting. Please contact Sales Support for guidance.

TECHNICAL SPECIFICATIONS

COLLI

1

WEIGHT

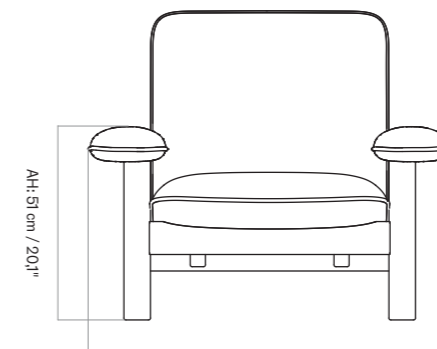
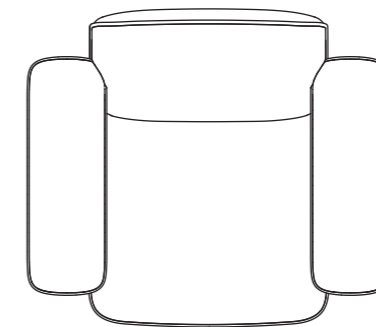
25 kg / 55,11 lb

TEST

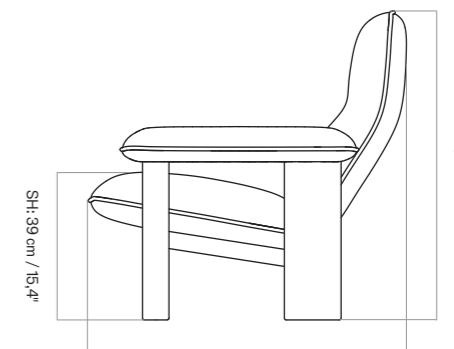
EN1022:2005, L2
EN16139:2013, L2

CERTIFICATIONS

TSCA title IV compliant
Crafted from FSC
certified wood



W: 96 cm / 37,8"



D: 84 cm / 33,1"



BRASILIA LOUNGE CHAIR
Designed by *Anderssen & Voll*

[BACK TO START](#)

CORE

SPEC OPTIONS — PRICES IN SEK
6–8 weeks delivery time

SKU	VARIANT	EXCL. VAT
<i>Textile — Natural oak base</i>		
8050000	<i>Price Category 0</i> Audo Bouclé, Audo	16.876,00
8050001	<i>Price Category 1</i> Barnum Bouclé, Audo / Champion, JAB / Illusion, Nevotex / Hot Madison, JAB / Maple, Kvadrat / Remix 3, Kvadrat / Re-wool, Kvadrat	18.076,00
8050002	<i>Price Category 2</i> Canvas 2, Kvadrat / Clay, Kvadrat, Sahco / Colline 2, Kvadrat / Fiord 2, Kvadrat / Hallingdal 65, Kvadrat / Moss, Kvadrat, Sahco / Reflect, Kvadrat / Savanna, Kvadrat / Steelcut 2, Kvadrat / Steelcut Trio 3, Kvadrat	20.476,00
8050003	<i>Price Category 3</i> Arctic, JAB / Safire, Kvadrat, Sahco / Vidar 4, Kvadrat, Sahco / Zero, Kvadrat, Sahco	21.676,00
8050004	<i>Price Category 4</i> Cabanon Soft, Designers Guild / Doppiopanama, Dedar / Grand Mohair, Danish Art Weaving / Lupo, Dedar	23.436,00
<i>Leather — Natural oak base</i>		
8053001	<i>Price Category 1</i> Dakar, Nevotex / Envy, Sørensen Leather / Ultra, Sørensen Leather	30.156,00
8053002	<i>Price Category 2</i> Dunes, Sørensen Leather / Nuance, Sørensen Leather	32.556,00
8053003	<i>Price Category 3</i> Royal Nubuck, Sørensen Leather / Sheepskin, Nevotex	33.756,00
8053004	<i>Price Category 4</i> Elegance, Sørensen Leather	35.516,00



BRASILIA LOUNGE CHAIR, material *natural oak* / *Bouclé 02*, designer *Anderssen & Voll*
FRAGILIS BOWL, size *large*, designer *Cecilia Armand*
ÉCHASSE VASE, size *small*, material *smoke glass* / *bronzed brass*, designer *Theresa Rand*
NIMBUS TABLE MIRROR, material *bronzed brass*, designer *Krøyer-Sætter-Lassen*
HOUKIME RUG, material *beige*, designer *Nina Bruun*
TORSO TABLE LAMP, PORTABLE, material *sand*, designer *Krøyer-Sætter-Lassen*
JWDA TABLE LAMP, material *bronzed brass*, designer *Jonas Wagell*



BRASILIA LOUNGE CHAIR
Designed by *Anderssen & Voll*

[BACK TO START](#)

CORE

SPEC OPTIONS — PRICES IN SEK
6–8 weeks delivery time

SPEC OPTIONS — PRICES IN SEK
6–8 weeks delivery time

SKU	VARIANT	EXCL. VAT
<i>Textile — Dark stained oak base</i>		
8051000	<i>Price Category 0</i> Audo Bouclé, Audo	16.876,00
8051001	<i>Price Category 1</i> Barnum Bouclé, Audo / Champion, JAB / Illusion, Nevotex / Hot Madison, JAB / Maple, Kvadrat / Remix 3, Kvadrat / Re-wool, Kvadrat	18.076,00
8051002	<i>Price Category 2</i> Canvas 2, Kvadrat / Clay, Kvadrat, Sahco / Colline 2, Kvadrat / Fiord 2, Kvadrat / Hallingdal 65, Kvadrat / Moss, Kvadrat, Sahco / Reflect, Kvadrat / Savanna, Kvadrat / Steelcut 2, Kvadrat / Steelcut Trio 3, Kvadrat	20.476,00
8051003	<i>Price Category 3</i> Arctic, JAB / Safire, Kvadrat, Sahco / Vidar 4, Kvadrat, Sahco / Zero, Kvadrat, Sahco	21.676,00
8051004	<i>Price Category 4</i> Cabanon Soft, Designers Guild / Doppiopanama, Dedar / Grand Mohair, Danish Art Weaving / Lupo, Dedar	23.436,00
<i>Leather — Dark stained oak base</i>		
8054001	<i>Price Category 1</i> Dakar, Nevotex / Envy, Sørensens Leather / Ultra, Sørensens Leather	30.156,00
8054002	<i>Price Category 2</i> Dunes, Sørensens Leather / Nuance, Sørensens Leather	32.556,00
8054003	<i>Price Category 3</i> Royal Nubuck, Sørensens Leather / Sheepskin, Nevotex	33.756,00
8054004	<i>Price Category 4</i> Elegance, Sørensens Leather	35.516,00

SKU	VARIANT	EXCL. VAT
<i>Textile — Walnut base</i>		
8052000	<i>Price Category 0</i> Audo Bouclé, Audo	19.276,00
8052001	<i>Price Category 1</i> Barnum Bouclé, Audo / Champion, JAB / Illusion, Nevotex / Hot Madison, JAB / Maple, Kvadrat / Remix 3, Kvadrat / Re-wool, Kvadrat	20.476,00
8052002	<i>Price Category 2</i> Canvas 2, Kvadrat / Clay, Kvadrat, Sahco / Colline 2, Kvadrat / Fiord 2, Kvadrat / Hallingdal 65, Kvadrat / Moss, Kvadrat, Sahco / Reflect, Kvadrat / Savanna, Kvadrat / Steelcut 2, Kvadrat / Steelcut Trio 3, Kvadrat	22.876,00
8052003	<i>Price Category 3</i> Arctic, JAB / Safire, Kvadrat, Sahco / Vidar 4, Kvadrat, Sahco / Zero, Kvadrat, Sahco	24.076,00
8052004	<i>Price Category 4</i> Cabanon Soft, Designers Guild / Doppiopanama, Dedar / Grand Mohair, Danish Art Weaving / Lupo, Dedar	25.836,00
<i>Leather — Walnut base</i>		
8055001	<i>Price Category 1</i> Dakar, Nevotex / Envy, Sørensens Leather / Ultra, Sørensens Leather	32.556,00
8055002	<i>Price Category 2</i> Dunes, Sørensens Leather / Nuance, Sørensens Leather	34.956,00
8055003	<i>Price Category 3</i> Royal Nubuck, Sørensens Leather / Sheepskin, Nevotex	36.156,00
8055004	<i>Price Category 4</i> Elegance, Sørensens Leather	37.916,00



BRASILIA OTTOMAN
Designed by *Anderssen & Voll*

[BACK TO START](#)

CORE

Designed for Audo by Anderssen & Voll, the solid wood Brasilia Ottoman fuses Scandinavian sensibilities with Brazilian Modernism. The four chunky legs hold an upholstered cushion that beyond its intended use as a footrest for the corresponding chair doubles as a side table for a tray or a seat for unexpected guests.

PRODUCT OPTIONS

Seat



WITH UPHOLSTERY

WITH SHEEPSKIN

Oak or walnut base



NATURAL OAK

DARK STAINED OAK

WALNUT

Spec options

Available in fabrics from our upholstery programme. Standard lead times apply.

For custom upholstery, please refer to the guiding textile/leather consumption:
COM: 1,35 m / 1,485 yds
COL: 2,43 m² / 26,17 sqft

Prices excl. custom upholstery are equal to Price Category 1 Textile or Leather. Contact Sales support for approval of custom upholstery and to place your order.

The above textile consumption is only valid for textile rolls with a width equal to or greater than 140 cm. For smaller textile rolls, please contact Sales Support for guidance. For textile with pattern, please expect a higher usage for correct pattern fitting. Please contact Sales Support for guidance.

TECHNICAL SPECIFICATIONS

COLLI

1

WEIGHT

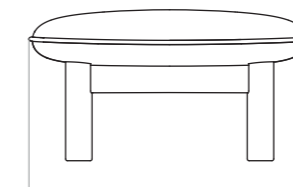
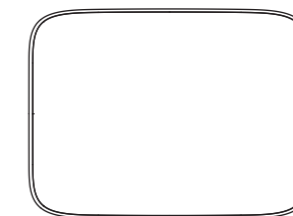
15 kg / 33,06 lb

TEST

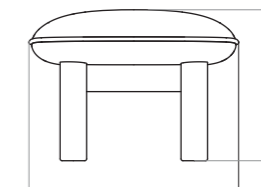
EN1022:2005, L2
EN16139:2013, L2

CERTIFICATIONS

TSCA title IV compliant
Crafted from FSC
certified wood



W: 74 cm / 29,1"



D: 55,5 cm / 21,8"

H: 40 cm / 15,7"



BRASILIA OTTOMAN
Designed by *Anderssen & Voll*

[BACK TO START](#)

CORE

SPEC OPTIONS — PRICES IN SEK
6–8 weeks delivery time

SKU	VARIANT	EXCL. VAT
<i>Textile — Natural oak base</i>		
8150000	<i>Price Category 0</i> Audo Bouclé, Audo	5.996,00
8150001	<i>Price Category 1</i> Barnum Bouclé, Audo / Champion, JAB / Illusion, Nevotex / Hot Madison, JAB / Maple, Kvadrat / Remix 3, Kvadrat / Re-wool, Kvadrat	7.196,00
8150002	<i>Price Category 2</i> Canvas 2, Kvadrat / Clay, Kvadrat, Sahco / Colline 2, Kvadrat / Fiord 2, Kvadrat / Hallingdal 65, Kvadrat / Moss, Kvadrat, Sahco / Reflect, Kvadrat / Savanna, Kvadrat / Steelcut 2, Kvadrat / Steelcut Trio 3, Kvadrat	8.396,00
8150003	<i>Price Category 3</i> Arctic, JAB / Safire, Kvadrat, Sahco / Vidar 4, Kvadrat, Sahco / Zero, Kvadrat, Sahco	8.396,00
8150004	<i>Price Category 4</i> Cabanon Soft, Designers Guild / Doppiopanama, Dedar / Grand Mohair, Danish Art Weaving / Lupo, Dedar	9.516,00
<i>Leather — Natural oak base</i>		
8153001	<i>Price Category 1</i> Dakar, Nevotex / Envy, Sørensens Leather / Ultra, Sørensens Leather	8.956,00
8153002	<i>Price Category 2</i> Dunes, Sørensens Leather / Nuance, Sørensens Leather	10.876,00
8153003	<i>Price Category 3</i> Royal Nubuck, Sørensens Leather / Sheepskin, Nevotex	10.876,00
8153004	<i>Price Category 4</i> Elegance, Sørensens Leather	11.916,00

SPEC OPTIONS — PRICES IN SEK
6–8 weeks delivery time

SKU	VARIANT	EXCL. VAT
<i>Textile — Dark stained oak base</i>		
8151000	<i>Price Category 0</i> Audo Bouclé, Audo	5.996,00
8151001	<i>Price Category 1</i> Barnum Bouclé, Audo / Champion, JAB / Illusion, Nevotex / Hot Madison, JAB / Maple, Kvadrat / Remix 3, Kvadrat / Re-wool, Kvadrat	7.196,00
8151002	<i>Price Category 2</i> Canvas 2, Kvadrat / Clay, Kvadrat, Sahco / Colline 2, Kvadrat / Fiord 2, Kvadrat / Hallingdal 65, Kvadrat / Moss, Kvadrat, Sahco / Reflect, Kvadrat / Savanna, Kvadrat / Steelcut 2, Kvadrat / Steelcut Trio 3, Kvadrat	8.396,00
8151003	<i>Price Category 3</i> Arctic, JAB / Safire, Kvadrat, Sahco / Vidar 4, Kvadrat, Sahco / Zero, Kvadrat, Sahco	8.396,00
8151004	<i>Price Category 4</i> Cabanon Soft, Designers Guild / Doppiopanama, Dedar / Grand Mohair, Danish Art Weaving / Lupo, Dedar	9.516,00
<i>Leather — Dark stained oak base</i>		
8154001	<i>Price Category 1</i> Dakar, Nevotex / Envy, Sørensens Leather / Ultra, Sørensens Leather	8.956,00
8154002	<i>Price Category 2</i> Dunes, Sørensens Leather / Nuance, Sørensens Leather	10.876,00
8154003	<i>Price Category 3</i> Royal Nubuck, Sørensens Leather / Sheepskin, Nevotex	10.876,00
8154004	<i>Price Category 4</i> Elegance, Sørensens Leather	11.916,00



BRASILIA OTTOMAN
Designed by *Anderssen & Voll*

[BACK TO START](#)

CORE

SPEC OPTIONS — PRICES IN SEK
6–8 weeks delivery time

SKU	VARIANT	EXCL. VAT
<i>Textile — Walnut base</i>		
8152000	<i>Price Category 0</i> Audo Bouclé, Audo	5.996,00
8152001	<i>Price Category 1</i> Barnum Bouclé, Audo / Champion, JAB / Illusion, Nevotex / Hot Madison, JAB / Maple, Kvadrat / Remix 3, Kvadrat / Re-wool, Kvadrat	7.196,00
8152002	<i>Price Category 2</i> Canvas 2, Kvadrat / Clay, Kvadrat, Sahco / Colline 2, Kvadrat / Fiord 2, Kvadrat / Hallingdal 65, Kvadrat / Moss, Kvadrat, Sahco / Reflect, Kvadrat / Savanna, Kvadrat / Steelcut 2, Kvadrat / Steelcut Trio 3, Kvadrat	8.396,00
8152003	<i>Price Category 3</i> Arctic, JAB / Safire, Kvadrat, Sahco / Vidar 4, Kvadrat, Sahco / Zero, Kvadrat, Sahco	9.596,00
8152004	<i>Price Category 4</i> Cabanon Soft, Designers Guild / Doppiopanama, Dedar / Grand Mohair, Danish Art Weaving / Lupo, Dedar	9.996,00
<i>Leather — Walnut base</i>		
8155001	<i>Price Category 1</i> Dakar, Nevotex / Envy, Sørensen Leather / Ultra, Sørensen Leather	9.516,00
8155002	<i>Price Category 2</i> Dunes, Sørensen Leather / Nuance, Sørensen Leather	10.876,00
8155003	<i>Price Category 3</i> Royal Nubuck, Sørensen Leather / Sheepskin, Nevotex	11.356,00
8155004	<i>Price Category 4</i> Elegance, Sørensen Leather	12.396,00



BRASILIA LOUNGE CHAIR, material *Audo Bouclé 02* / *dark stained oak*, designer *Anderssen & Voll*
BRASILIA OTTOMAN, material *Audo Bouclé 02* / *dark stained oak*, designer *Anderssen & Voll*



CORE

SAXE CHAIR

Designed by *Mogens Lassen*

[BACK TO START](#)

Mogens Lassen was perceived as ‘the naughty boy in class’, but he aimed for perfection in each design project. His eye for detail, leaving nothing unnoticed, and his will to try out new methods are clearly seen in this characteristic and timeless chair. It is contemporary proof of his habit of pushing the boundaries of materials and what was *comme il faut*. Saxe Chair is a folding chair and the seat, manufactured in core leather, truly reaches the limits of how big pieces of leather can be and are enhanced by the moulded, yet massive wooden legs. In the middle of the 20th century, this technique was still in its early years. The beautiful fittings in solid brass work almost as a piece of jewellery on the chair and clearly illustrate how only the finest materials were selected. Mogens Lassen’s Saxe chair is a classic example of aesthetics and functionality enhancing one another.



SOAP TREATED OAK / NATURAL LEATHER
BL581101



BLACK STAINED OAK / BLACK LEATHER
BL581102



BROWN OILED OAK / BROWN LEATHER
BL581103



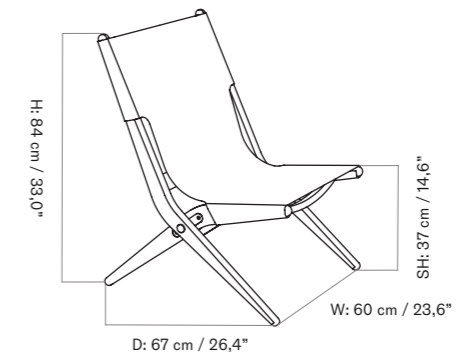
NATURE OIL OAK / BLACK LEATHER
BL581104

STOCK OPTIONS — PRICES IN SEK

SKU	VARIANT	EXCL. VAT
BL581101	SAXE CHAIR, SOAP TREATED OAK / NATURAL LEATHER	17.836,00
BL581102	SAXE CHAIR, BLACK STAINED OAK / BLACK LEATHER	17.836,00
BL581103	SAXE CHAIR, BROWN OILED OAK / BROWN LEATHER	17.836,00
BL581104	SAXE CHAIR, NATURE OIL OAK / BLACK LEATHER	17.836,00

TECHNICAL SPECIFICATIONS

COLLI	WEIGHT	TEST	CERTIFICATIONS
1	10,4 kg / 10,46 lb	N / A	N / A





SAXE HANG UP

Designed by *Audo*

[BACK TO START](#)

CORE

Saxe Hang Up is a matching accessory for the iconic Saxe Chair, designed by Mogens Lassen. The wall mount creates an opportunity to create more space in the room when the Saxe Chair isn't used. At the same time the simple wall mount is a unique way to decorate your home, just as the Saxe Hang Up decorates the wall nicely, while as the Saxe Chair adorns the floor beautifully.

You can choose the simple wall mount in four different colors, so that it suits your interior design. Saxe Hang Up in soap treated oak is perfect for the bright interior design, while the wall mount in brown oiled oak or oiled oak gives a warmer expression. Last but not least the wall mount in black stained oak is a true classic that can adapt to any interior design.



SOAP TREATED OAK
BL582000



NATURE OIL OAK
BL582001



BLACK STAINED OAK
BL582002



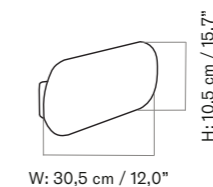
BROWN OILED OAK
BL582003

STOCK OPTIONS — PRICES IN SEK

SKU	VARIANT	EXCL. VAT
BL582000	SAXE HANG UP, SOAP TREATED OAK	1.276,00
BL582001	SAXE HANG UP, NATURE OIL OAK	1.276,00
BL582002	SAXE HANG UP, BLACK STAINED OAK	1.276,00
BL582003	SAXE HANG UP, BROWN OILED OAK	1.276,00

TECHNICAL SPECIFICATIONS

COLLI	WEIGHT	TEST	CERTIFICATIONS
1	0,7 kg / 1,54 lb	N / A	N / A





THE TIRED MAN, LOUNGE CHAIR

Designed by *Flemming Lassen*

[BACK TO START](#)

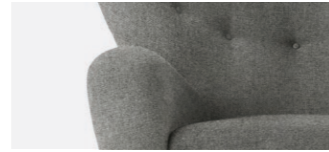
ICONS

Flemming Lassen designed the overstuffed easy chair, The Tired Man, for The Copenhagen Cabinetmakers' Guild Competition in 1935. It is characterised by organic, bearlike shapes and then as now it created a sensation with its curved form and voluminous armrests. Sitting in the chair should, in Flemming Lassen's own words, be "as warm and safe as a polar bear cub in the arms of its mother in the middle of the ice cap". The family man Flemming Lassen valued intimate relationships - with its warm exterior, The Tired Man invokes domestic cosiness and socialising by candlelight.



PRODUCT OPTIONS

Seat



WITH UPHOLSTERY



WITH SHEEPSKIN

Base



NATURAL OAK



DARK STAINED OAK

Spec options

Available in fabrics from our upholstery programme. Standard lead times apply.

For custom upholstery, please refer to the guiding textile/leather consumption:
COM: 5 m / 5,5 yds
COL: 10 m² / 107,7 sqft

Prices excl. custom upholstery are equal to Price Category 1 Textile or Leather. Contact Sales support for approval of custom upholstery and to place your order.

The above textile consumption is only valid for textile rolls with a width equal to or greater than 140 cm. For smaller textile rolls, please contact Sales Support for guidance. For textile with pattern, please expect a higher usage for correct pattern fitting. Please contact Sales Support for guidance.

TECHNICAL SPECIFICATIONS

COLLI

1

WEIGHT

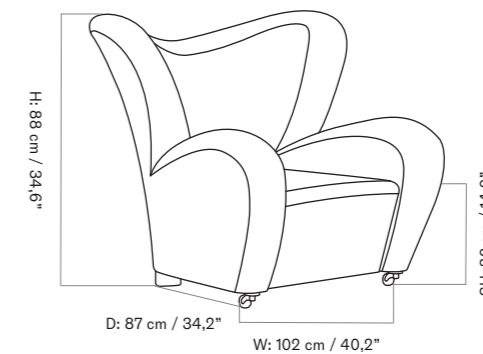
46 kg / 101,41 lb

TEST

N / A

CERTIFICATIONS

N / A





THE TIRED MAN, LOUNGE CHAIR
Designed by *Flemming Lassen*

[BACK TO START](#)

ICONS

SPEC OPTIONS — PRICES IN SEK
6–8 weeks delivery time

SKU	VARIANT	EXCL. VAT
<i>Textile</i>		
1500000	<i>Price Category 0</i> Audo Bouclé, Audo	40.076,00
1500001	<i>Price Category 1</i> Barnum Bouclé, Audo / Champion, JAB / Illusion, Nevotex / Hot Madison, JAB / Maple, Kvadrat / Remix 3, Kvadrat / Re-wool, Kvadrat	45.116,00
1500002	<i>Price Category 2</i> Canvas 2, Kvadrat / Clay, Kvadrat, Sahco / Colline 2, Kvadrat / Fiord 2, Kvadrat / Hallingdal 65, Kvadrat / Moss, Kvadrat, Sahco / Reflect, Kvadrat / Savanna, Kvadrat / Steelcut 2, Kvadrat / Steelcut Trio 3, Kvadrat	50.076,00
1500003	<i>Price Category 3</i> Arctic, JAB / Safire, Kvadrat, Sahco / Vidar 4, Kvadrat, Sahco / Zero, Kvadrat, Sahco	55.116,00
1500004	<i>Price Category 4</i> Doppiopanama, Dedar / Grand Mohair, Danish Art Weaving / Lupo, Dedar	60.076,00
<i>Leather</i>		
1500005	<i>Price Category 1</i> Dakar, Nevotex / Envy, Sørensens Leather / Ultra, Sørensens Leather	57.116,00
1500006	<i>Price Category 2</i> Dunes, Sørensens Leather / Nuance, Sørensens Leather	64.236,00
1500007	<i>Price Category 3</i> Royal Nubuck, Sørensens Leather / Sheepskin, Skandilock	71.196,00
1500008	<i>Price Category 4</i> Elegance, Sørensens Leather	78.316,00



THE TIRED MAN, OTTOMAN
Designed by *Flemming Lassen*

[BACK TO START](#)

ICONS

The Tired Man Footstool has been designed from Flemming Lassen's original armchair. The soft lines and round shapes from the armchair is continued in the footstool.



PRODUCT OPTIONS

Seat



WITH UPHOLSTERY



WITH SHEEPSKIN

Base



NATURAL OAK



DARK STAINED OAK

Spec options

Available in fabrics from our upholstery programme. Standard lead times apply.

For custom upholstery, please refer to the guiding textile/leather consumption:
COM: 1,5 m / 1,65 yds
COL: 2 m² / 21,54 sqft

Prices excl. custom upholstery are equal to Price Category 1 Textile or Leather. Contact Sales support for approval of custom upholstery and to place your order.

The above textile consumption is only valid for textile rolls with a width equal to or greater than 140 cm. For smaller textile rolls, please contact Sales Support for guidance. For textile with pattern, please expect a higher usage for correct pattern fitting. Please contact Sales Support for guidance.

TECHNICAL SPECIFICATIONS

COLLI

1

WEIGHT

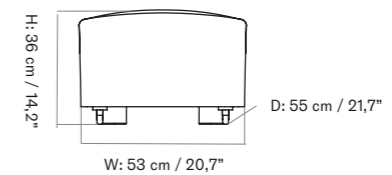
10,7 kg / 23,59 lb

TEST

N / A

CERTIFICATIONS

N / A





ICONS

SPEC OPTIONS — PRICES IN SEK
6–8 weeks delivery time

SKU	VARIANT	EXCL. VAT
<i>Textile</i>		
1500100	<i>Price Category 0</i> Audo Bouclé, Audo	12.236,00
1500101	<i>Price Category 1</i> Barnum Bouclé, Audo / Champion, JAB / Illusion, Nevotex / Hot Madison, JAB / Maple, Kvadrat / Remix 3, Kvadrat / Re-wool, Kvadrat	13.836,00
1500102	<i>Price Category 2</i> Canvas 2, Kvadrat / Clay, Kvadrat, Sahco / Colline 2, Kvadrat / Fiord 2, Kvadrat / Hallingdal 65, Kvadrat / Moss, Kvadrat, Sahco / Reflect, Kvadrat / Savanna, Kvadrat / Steelcut 2, Kvadrat / Steelcut Trio 3, Kvadrat	15.196,00
1500103	<i>Price Category 3</i> Arctic, JAB / Safire, Kvadrat, Sahco / Vidar 4, Kvadrat, Sahco / Zero, Kvadrat, Sahco	16.796,00
1500104	<i>Price Category 4</i> Doppiopanama, Dedar / Grand Mohair, Danish Art Weaving / Lupo, Dedar	18.316,00
<i>Leather</i>		
1500105	<i>Price Category 1</i> Dakar, Nevotex / Envy, Sørensen Leather / Ultra, Sørensen Leather	13.836,00
1500106	<i>Price Category 2</i> Dunes, Sørensen Leather / Nuance, Sørensen Leather	15.436,00
1500107	<i>Price Category 3</i> Royal Nubuck, Sørensen Leather / Sheepskin, Skandilock	17.116,00
1500108	<i>Price Category 4</i> Elegance, Sørensen Leather	18.876,00



INGEBORG, LOUNGE CHAIR

Designed by *Flemming Lassen*

[BACK TO START](#)

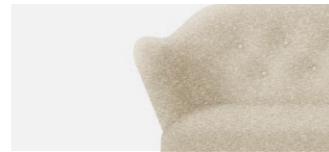
CORE

Originally Ingeborg was designed in 1940 by Flemming Lassen. The chair was designed by Master carpenter Jakob Kjær, who manufactured Flemming Lassen's furniture for The Carpenters guild Annual Furniture Exhibition. The charming little easy chair is named after Flemming and Mogens Lassen's mother, the artist Ingeborg Winding. Despite its petite size, Ingeborg brightens any room with its charm and exclusive style. Ingeborg looks beautiful from all angles. It can be placed anywhere in a room without taking up too much space.



PRODUCT OPTIONS

Seat



WITH UPHOLSTERY



WITH SHEEPSKIN

Base



NATURAL OAK



DARK STAINED OAK

Spec options

Available in fabrics from our upholstery programme. Standard lead times apply.

For custom upholstery, please refer to the guiding textile/leather consumption:
COM: 2,6 m / 2,86 yds
COL: 3,8 m² / 40,926 sqft

Prices excl. custom upholstery are equal to Price Category 1 Textile or Leather. Contact Sales support for approval of custom upholstery and to place your order.

The above textile consumption is only valid for textile rolls with a width equal to or greater than 140 cm. For smaller textile rolls, please contact Sales Support for guidance. For textile with pattern, please expect a higher usage for correct pattern fitting. Please contact Sales Support for guidance.

TECHNICAL SPECIFICATIONS

COLLI

1

WEIGHT

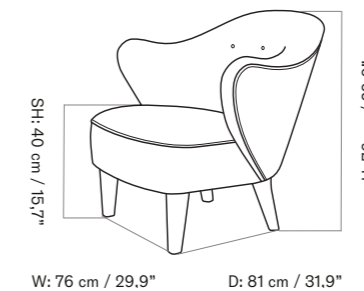
15 kg / 33,07 lb

TEST

N / A

CERTIFICATIONS

N / A





INGEBORG, LOUNGE CHAIR
Designed by *Flemming Lassen*

[BACK TO START](#)

CORE

SPEC OPTIONS — PRICES IN SEK
6–8 weeks delivery time

SKU	VARIANT	EXCL. VAT
<i>Textile</i>		
1500200	<i>Price Category 0</i> Audo Bouclé, Audo	19.196,00
1500201	<i>Price Category 1</i> Barnum Bouclé, Audo / Champion, JAB / Illusion, Nevotex / Hot Madison, JAB / Maple, Kvadrat / Remix 3, Kvadrat / Re-wool, Kvadrat	21.356,00
1500202	<i>Price Category 2</i> Canvas 2, Kvadrat / Clay, Kvadrat, Sahco / Colline 2, Kvadrat / Fiord 2, Kvadrat / Hallingdal 65, Kvadrat / Moss, Kvadrat, Sahco / Reflect, Kvadrat / Savanna, Kvadrat / Steelcut 2, Kvadrat / Steelcut Trio 3, Kvadrat	23.676,00
1500203	<i>Price Category 3</i> Arctic, JAB / Safire, Kvadrat, Sahco / Vidar 4, Kvadrat, Sahco / Zero, Kvadrat, Sahco	25.436,00
1500204	<i>Price Category 4</i> Doppiopanama, Dedar / Grand Mohair, Danish Art Weaving / Lupo, Dedar	28.796,00
<i>Leather</i>		
1500205	<i>Price Category 1</i> Dakar, Nevotex / Envy, Sørensens Leather / Ultra, Sørensens Leather	33.276,00
1500206	<i>Price Category 2</i> Dunes, Sørensens Leather / Nuance, Sørensens Leather	37.836,00
1500207	<i>Price Category 3</i> Royal Nubuck, Sørensens Leather / Sheepskin, Skandilock	41.756,00

SPEC OPTIONS — PRICES IN SEK
6–8 weeks delivery time

SKU	VARIANT	EXCL. VAT
<i>Textile — Vegetal leather buttons</i>		
1500300	<i>Price Category 0</i> Audo Bouclé, Audo	19.196,00
1500301	<i>Price Category 1</i> Barnum Bouclé, Audo / Champion, JAB / Illusion, Nevotex / Hot Madison, JAB / Maple, Kvadrat / Remix 3, Kvadrat / Re-wool, Kvadrat	21.356,00
1500302	<i>Price Category 2</i> Canvas 2, Kvadrat / Clay, Kvadrat, Sahco / Colline 2, Kvadrat / Fiord 2, Kvadrat / Hallingdal 65, Kvadrat / Moss, Kvadrat, Sahco / Reflect, Kvadrat / Savanna, Kvadrat / Steelcut 2, Kvadrat / Steelcut Trio 3, Kvadrat	23.676,00
1500303	<i>Price Category 3</i> Arctic, JAB / Safire, Kvadrat, Sahco / Vidar 4, Kvadrat, Sahco / Zero, Kvadrat, Sahco	25.436,00
1500304	<i>Price Category 4</i> Doppiopanama, Dedar / Grand Mohair, Danish Art Weaving / Lupo, Dedar	28.796,00
<i>Leather — Vegetal leather buttons</i>		
1500305	<i>Price Category 1</i> Dakar, Nevotex / Envy, Sørensens Leather / Ultra, Sørensens Leather	33.276,00
1500306	<i>Price Category 2</i> Dunes, Sørensens Leather / Nuance, Sørensens Leather	37.836,00
1500307	<i>Price Category 3</i> Royal Nubuck, Sørensens Leather / Sheepskin, Skandilock	41.756,00



INGEBORG, OTTOMAN
Designed by *Audo*

[BACK TO START](#)

CORE

Originally Ingeborg was designed in 1940 by Flemming Lassen. The chair was designed by Master carpenter Jakob Kjær, who manufactured Flemming Lassen's furniture for The Carpenters guild Annual Furniture Exhibition. The charming little easy chair is named after Flemming and Mogens Lassen's mother, the artist Ingeborg Winding. Despite its petite size, Ingeborg brightens any room with its charm and exclusive style. Ingeborg looks beautiful from all angles. It can be placed anywhere in a room without taking up too much space. To complete the look, add the Ottoman which is the perfect match for the chair.



PRODUCT OPTIONS

Seat



WITH UPHOLSTERY

WITH SHEEPSKIN

Base



NATURAL OAK

DARK STAINED OAK

Spec options

Available in fabrics from our upholstery programme. Standard lead times apply.

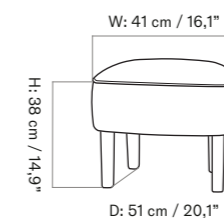
For custom upholstery, please refer to the guiding textile/leather consumption:
COM: 0,9 m / 0,99 yds
COL: 1,2 m² / 12,924 sqft

Prices excl. custom upholstery are equal to Price Category 1 Textile or Leather. Contact Sales support for approval of custom upholstery and to place your order.

The above textile consumption is only valid for textile rolls with a width equal to or greater than 140 cm. For smaller textile rolls, please contact Sales Support for guidance. For textile with pattern, please expect a higher usage for correct pattern fitting. Please contact Sales Support for guidance.

TECHNICAL SPECIFICATIONS

COLLI	WEIGHT	TEST	CERTIFICATIONS
1	7 kg / 15,43 lb	N / A	N / A





INGEBORG, OTTOMAN
Designed by *Audo*

[BACK TO START](#)

CORE

SPEC OPTIONS — PRICES IN SEK
6–8 weeks delivery time

SKU	VARIANT	EXCL. VAT
<i>Textile</i>		
1500400	<i>Price Category 0</i> Audo Bouclé, Audo	8.556,00
1500401	<i>Price Category 1</i> Barnum Bouclé, Audo / Champion, JAB / Illusion, Nevotex / Hot Madison, JAB / Maple, Kvadrat / Remix 3, Kvadrat / Re-wool, Kvadrat	11.276,00
1500402	<i>Price Category 2</i> Canvas 2, Kvadrat / Clay, Kvadrat, Sahco / Colline 2, Kvadrat / Fiord 2, Kvadrat / Hallingdal 65, Kvadrat / Moss, Kvadrat, Sahco / Reflect, Kvadrat / Savanna, Kvadrat / Steelcut 2, Kvadrat / Steelcut Trio 3, Kvadrat	11.276,00
1500403	<i>Price Category 3</i> Arctic, JAB / Safire, Kvadrat, Sahco / Vidar 4, Kvadrat, Sahco / Zero, Kvadrat, Sahco	11.836,00
1500404	<i>Price Category 4</i> Doppiopanama, Dedar / Grand Mohair, Danish Art Weaving / Lupo, Dedar	12.956,00
<i>Leather</i>		
1500405	<i>Price Category 1</i> Dakar, Nevotex / Envy, Sørensens Leather / Ultra, Sørensens Leather	12.396,00
1500406	<i>Price Category 2</i> Dunes, Sørensens Leather / Nuance, Sørensens Leather	13.596,00
1500407	<i>Price Category 3</i> Royal Nubuck, Sørensens Leather / Sheepskin, Skandilock	15.196,00

INGEBORD LOUNGE CHAIR, material *dark stained oak / sheepskin moonlight*, designer *Audo*
INGEBORD OTTOMAN, material *dark stained oak / sheepskin moonlight*, designer *Audo*
KUBUS 1, material *gold plated*, designer *Audo*





ICONS

MY OWN LOUNGE CHAIR Designed by *Flemming Lassen*

[BACK TO START](#)

Flemming Lassen's iconic armchair from 1938 was originally only made in a single edition. First, the then controversial, forward-looking armchair was exhibited at The Copenhagen Cabinetmakers' Guild Competition and later it became the favorite chair in the Lassen family home - hence its name. It was launched in connection with the chair's 80th anniversary and now it is also available in a walnut/sheepskin version. The textile, Colline, from Kvadrat not only compliments the curved shapes of the armchair, but goes with any light decor in need of edge and character.



PRODUCT OPTIONS

Seat



WITH UPHOLSTERY



WITH SHEEPSKIN

Base



NATURAL OAK



DARK STAINED OAK



WALNUT

Spec options

Available in fabrics from our upholstery programme.
Standard lead times apply.

For custom upholstery, please refer to the guiding textile/leather consumption:
COM: 4 m / 4,4 yds
COL: 12 m² / 129,24 sqft

Prices excl. custom upholstery are equal to Price Category 1 Textile or Leather. Contact Sales support for approval of custom upholstery and to place your order.

The above textile consumption is only valid for textile rolls with a width equal to or greater than 140 cm. For smaller textile rolls, please contact Sales Support for guidance. For textile with pattern, please expect a higher usage for correct pattern fitting. Please contact Sales Support for guidance.

TECHNICAL SPECIFICATIONS

COLLI

1

WEIGHT

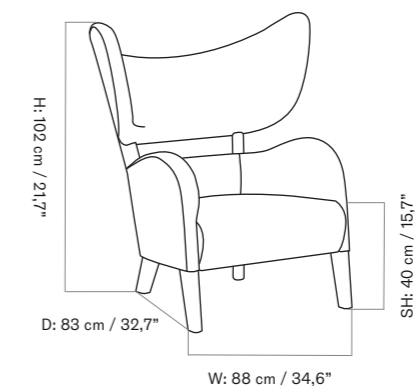
35 kg / 77,16 lb

TEST

N / A

CERTIFICATIONS

N / A





ICONS

MY OWN LOUNGE CHAIR
Designed by *Flemming Lassen*

[BACK TO START](#)

SPEC OPTIONS — PRICES IN SEK
6–8 weeks delivery time

SKU	VARIANT	EXCL. VAT
<i>Textile — Oak base</i>		
1500900	<i>Price Category 0</i> Audo Bouclé, Audo	34.396,00
1500901	<i>Price Category 1</i> Barnum Bouclé, Audo / Champion, JAB / Illusion, Nevotex / Hot Madison, JAB / Maple, Kvadrat / Remix 3, Kvadrat / Re-wool, Kvadrat	38.876,00
1500902	<i>Price Category 2</i> Canvas 2, Kvadrat / Clay, Kvadrat, Sahco / Colline 2, Kvadrat / Fiord 2, Kvadrat / Hallingdal 65, Kvadrat / Moss, Kvadrat, Sahco / Reflect, Kvadrat / Savanna, Kvadrat / Steelcut 2, Kvadrat / Steelcut Trio 3, Kvadrat	42.876,00
1500903	<i>Price Category 3</i> Arctic, JAB / Safire, Kvadrat, Sahco / Vidar 4, Kvadrat, Sahco / Zero, Kvadrat, Sahco	45.116,00
1500904	<i>Price Category 4</i> Doppiopanama, Dedar / Grand Mohair, Danish Art Weaving / Lupo, Dedar	49.596,00
<i>Leather — Oak base</i>		
1500905	<i>Price Category 1</i> Dakar, Nevotex / Envy, Sørensens Leather / Ultra, Sørensens Leather	58.716,00
1500906	<i>Price Category 2</i> Dunes, Sørensens Leather / Nuance, Sørensens Leather	73.276,00
1500907	<i>Price Category 3</i> Royal Nubuck, Sørensens Leather / Sheepskin, Skandilock	73.276,00
1500908	<i>Price Category 4</i> Elegance, Sørensens Leather	80.636,00

SPEC OPTIONS — PRICES IN SEK
6–8 weeks delivery time

SKU	VARIANT	EXCL. VAT
<i>Textile — Walnut base</i>		
1501100	<i>Price Category 0</i> Audo Bouclé, Audo	34.956,00
1501101	<i>Price Category 1</i> Barnum Bouclé, Audo / Champion, JAB / Illusion, Nevotex / Hot Madison, JAB / Maple, Kvadrat / Remix 3, Kvadrat / Re-wool, Kvadrat	38.876,00
1501102	<i>Price Category 2</i> Canvas 2, Kvadrat / Clay, Kvadrat, Sahco / Colline 2, Kvadrat / Fiord 2, Kvadrat / Hallingdal 65, Kvadrat / Moss, Kvadrat, Sahco / Reflect, Kvadrat / Savanna, Kvadrat / Steelcut 2, Kvadrat / Steelcut Trio 3, Kvadrat	42.876,00
1501103	<i>Price Category 3</i> Arctic, JAB / Safire, Kvadrat, Sahco / Vidar 4, Kvadrat, Sahco / Zero, Kvadrat, Sahco	45.116,00
1501104	<i>Price Category 4</i> Doppiopanama, Dedar / Grand Mohair, Danish Art Weaving / Lupo, Dedar	49.596,00
<i>Leather — Walnut base</i>		
1501105	<i>Price Category 1</i> Dakar, Nevotex / Envy, Sørensens Leather / Ultra, Sørensens Leather	58.716,00
1501106	<i>Price Category 2</i> Dunes, Sørensens Leather / Nuance, Sørensens Leather	73.276,00
1501107	<i>Price Category 3</i> Royal Nubuck, Sørensens Leather / Sheepskin, Skandilock	73.276,00
1501108	<i>Price Category 4</i> Elegance, Sørensens Leather	80.636,00



MY OWN LOUNGE CHAIR, OTTOMAN
Designed by *Flemming Lassen*

[BACK TO START](#)

ICONS

The My Own Chair Footstool has been designed in the same spirit as Flemming Lassen's original iconic chair, reflecting his love of rounded shapes, simple forms and precise detailing, to enable the full relaxation effect.



PRODUCT OPTIONS

Seat



WITH UPHOLSTERY



WITH SHEEPSKIN

Base



DARK STAINED OAK



Spec options

Available in fabrics from our upholstery programme. Standard lead times apply.

For custom upholstery, please refer to the guiding textile/leather consumption:
COM: 1 m / 1,1 yds
COL: 4,6 m² / 49,542 sqft

Prices excl. custom upholstery are equal to Price Category 1 Textile or Leather. Contact Sales support for approval of custom upholstery and to place your order.

The above textile consumption is only valid for textile rolls with a width equal to or greater than 140 cm. For smaller textile rolls, please contact Sales Support for guidance. For textile with pattern, please expect a higher usage for correct pattern fitting. Please contact Sales Support for guidance.

TECHNICAL SPECIFICATIONS

COLLI

1

WEIGHT

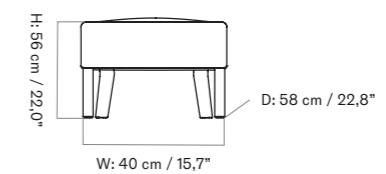
18 kg / 39,68 lb

TEST

N / A

CERTIFICATIONS

N / A





MY OWN LOUNGE CHAIR, OTTOMAN
Designed by *Flemming Lassen*

[BACK TO START](#)

ICONS

SPEC OPTIONS — PRICES IN SEK
6–8 weeks delivery time

SKU	VARIANT	EXCL. VAT
<i>Textile — Oak base</i>		
1501000	<i>Price Category 0</i> Audo Bouclé, Audo	10.876,00
1501001	<i>Price Category 1</i> Barnum Bouclé, Audo / Champion, JAB / Illusion, Nevotex / Hot Madison, JAB / Maple, Kvadrat / Remix 3, Kvadrat / Re-wool, Kvadrat	12.396,00
1501002	<i>Price Category 2</i> Canvas 2, Kvadrat / Clay, Kvadrat, Sahco / Colline 2, Kvadrat / Fiord 2, Kvadrat / Hallingdal 65, Kvadrat / Moss, Kvadrat, Sahco / Reflect, Kvadrat / Savanna, Kvadrat / Steelcut 2, Kvadrat / Steelcut Trio 3, Kvadrat	13.596,00
1501003	<i>Price Category 3</i> Arctic, JAB / Safire, Kvadrat, Sahco / Vidar 4, Kvadrat, Sahco / Zero, Kvadrat, Sahco	14.636,00
1501004	<i>Price Category 4</i> Doppiopanama, Dedar / Grand Mohair, Danish Art Weaving / Lupo, Dedar	15.756,00
<i>Leather — Oak base</i>		
1501005	<i>Price Category 1</i> Dakar, Nevotex / Envy, Sørensen Leather / Ultra, Sørensen Leather	14.636,00
1501006	<i>Price Category 2</i> Dunes, Sørensen Leather / Nuance, Sørensen Leather	16.316,00
1501007	<i>Price Category 3</i> Royal Nubuck, Sørensen Leather / Sheepskin, Skandilock	17.516,00
1501008	<i>Price Category 4</i> Elegance, Sørensen Leather	19.196,00

SPEC OPTIONS — PRICES IN SEK
6–8 weeks delivery time

SKU	VARIANT	EXCL. VAT
<i>Textile — Walnut base</i>		
1501200	<i>Price Category 0</i> Audo Bouclé, Audo	10.876,00
1501201	<i>Price Category 1</i> Barnum Bouclé, Audo / Champion, JAB / Illusion, Nevotex / Hot Madison, JAB / Maple, Kvadrat / Remix 3, Kvadrat / Re-wool, Kvadrat	12.396,00
1501202	<i>Price Category 2</i> Canvas 2, Kvadrat / Clay, Kvadrat, Sahco / Colline 2, Kvadrat / Fiord 2, Kvadrat / Hallingdal 65, Kvadrat / Moss, Kvadrat, Sahco / Reflect, Kvadrat / Savanna, Kvadrat / Steelcut 2, Kvadrat / Steelcut Trio 3, Kvadrat	13.596,00
1501203	<i>Price Category 3</i> Arctic, JAB / Safire, Kvadrat, Sahco / Vidar 4, Kvadrat, Sahco / Zero, Kvadrat, Sahco	14.236,00
1501204	<i>Price Category 4</i> Doppiopanama, Dedar / Grand Mohair, Danish Art Weaving / Lupo, Dedar	15.756,00
<i>Leather — Walnut base</i>		
1501205	<i>Price Category 1</i> Dakar, Nevotex / Envy, Sørensen Leather / Ultra, Sørensen Leather	14.636,00
1501206	<i>Price Category 2</i> Dunes, Sørensen Leather / Nuance, Sørensen Leather	16.316,00
1501207	<i>Price Category 3</i> Royal Nubuck, Sørensen Leather / Sheepskin, Skandilock	17.516,00
1501208	<i>Price Category 4</i> Elegance, Sørensen Leather	19.196,00



CONSTANCE, LOUNGE CHAIR

Designed by *Flemming Lassen*

[BACK TO START](#)

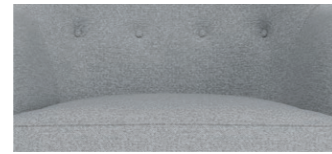
ICONS

The Constance series is a classic Flemming Lassen design. Curvy shapes. Inviting and comfortable. Projecting side pieces and buttons in the back. Classic and modern qualities that will never go out of fashion. It works well in the middle of a room, as Flemming Lassen's furniture is always equally beautiful from every angle. It was a mantra for his work that furniture should be pulled away from the wall to be placed as a sculpture in a room.



PRODUCT OPTIONS

Seat



WITH UPHOLSTERY



WITH SHEEPSKIN

Base



WALNUT

Spec options

Available in fabrics from our upholstery programme. Standard lead times apply.

For custom upholstery, please refer to the guiding textile consumption:
COM: 3 m / 4,4 yds

Prices excl. custom upholstery are equal to Price Category 1 Textile or Leather. Contact Sales support for approval of custom upholstery and to place your order.

The above textile consumption is only valid for textile rolls with a width equal to or greater than 140 cm. For smaller textile rolls, please contact Sales Support for guidance. For textile with pattern, please expect a higher usage for correct pattern fitting. Please contact Sales Support for guidance.

TECHNICAL SPECIFICATIONS

COLLI

1

WEIGHT

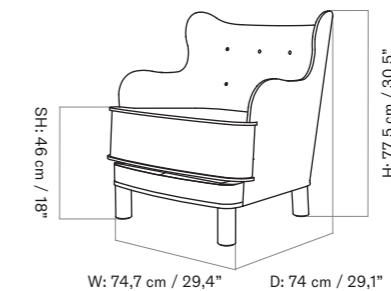
24 kg / 52,91 lb

TEST

ANSI Bifma and EN standard

CERTIFICATIONS

N / A





CONSTANCE, LOUNGE CHAIR
Designed by *Flemming Lassen*

[BACK TO START](#)

ICONS

SPEC OPTIONS — PRICES IN SEK
6–8 weeks delivery time

SKU	VARIANT	EXCL. VAT
<i>Textile — Natural oak base</i>		
1501207	<i>Price Category 0</i> Audo Bouclé, Audo	17.516,00
1501001	<i>Price Category 1</i> Barnum Bouclé, Audo / Champion, JAB / Illusion, Nevotex / Hot Madison, JAB / Maple, Kvadrat / Remix 3, Kvadrat / Re-wool, Kvadrat	12.396,00
1501002	<i>Price Category 2</i> Canvas 2, Kvadrat / Clay, Kvadrat, Sahco / Colline 2, Kvadrat / Fiord 2, Kvadrat / Hallingdal 65, Kvadrat / Moss, Kvadrat, Sahco / Reflect, Kvadrat / Savanna, Kvadrat / Steelcut 2, Kvadrat / Steelcut Trio 3, Kvadrat	13.596,00
1501003	<i>Price Category 3</i> Arctic, JAB / Safire, Kvadrat, Sahco / Vidar 4, Kvadrat, Sahco / Zero, Kvadrat, Sahco	14.636,00
1501004	<i>Price Category 4</i> Doppiopanama, Dedar / Grand Mohair, Danish Art Weaving / Lupo, Dedar	15.756,00
<i>Sheepskin — Natural oak base</i>		
1501407	<i>Price Category 3</i> Sheepskin, Skandilock	45.996,00

SPEC OPTIONS — PRICES IN SEK
6–8 weeks delivery time

SKU	VARIANT	EXCL. VAT
<i>Textile — Walnut base</i>		
1501600	<i>Price Category 0</i> Audo Bouclé, Audo	27.596,00
1501601	<i>Price Category 1</i> Barnum Bouclé, Audo / Champion, JAB / Illusion, Nevotex / Hot Madison, JAB / Maple, Kvadrat / Remix 3, Kvadrat / Re-wool, Kvadrat	29.916,00
1501602	<i>Price Category 2</i> Canvas 2, Kvadrat / Clay, Kvadrat, Sahco / Colline 2, Kvadrat / Fiord 2, Kvadrat / Hallingdal 65, Kvadrat / Moss, Kvadrat, Sahco / Reflect, Kvadrat / Savanna, Kvadrat / Steelcut 2, Kvadrat / Steelcut Trio 3, Kvadrat	32.236,00
1501603	<i>Price Category 3</i> Arctic, JAB / Safire, Kvadrat, Sahco / Vidar 4, Kvadrat, Sahco / Zero, Kvadrat, Sahco	34.476,00
1501604	<i>Price Category 4</i> Doppiopanama, Dedar / Grand Mohair, Danish Art Weaving / Lupo, Dedar	36.796,00
<i>Sheepskin — Walnut base</i>		
1501607	<i>Price Category 3</i> Sheepskin, Skandilock	45.996,00



ICONS

ELIZABETH LOUNGE CHAIR Designed by *Ib Kofod-Larsen*

[BACK TO START](#)

Arguably Ib Kofod Larsen's most iconic design, the U-56 chair was designed in 1956. The carefully crafted piece later became known as the Elizabeth Chair after Queen Elizabeth II purchased a pair during a visit to Copenhagen in 1962. Its gently curved armrests, sledge-like frame and reclining comfort make it an outstanding example of Danish Modern furniture design.

PRODUCT OPTIONS

Base



NATURAL OAK



WALNUT

TECHNICAL SPECIFICATIONS

COLLI

1

WEIGHT

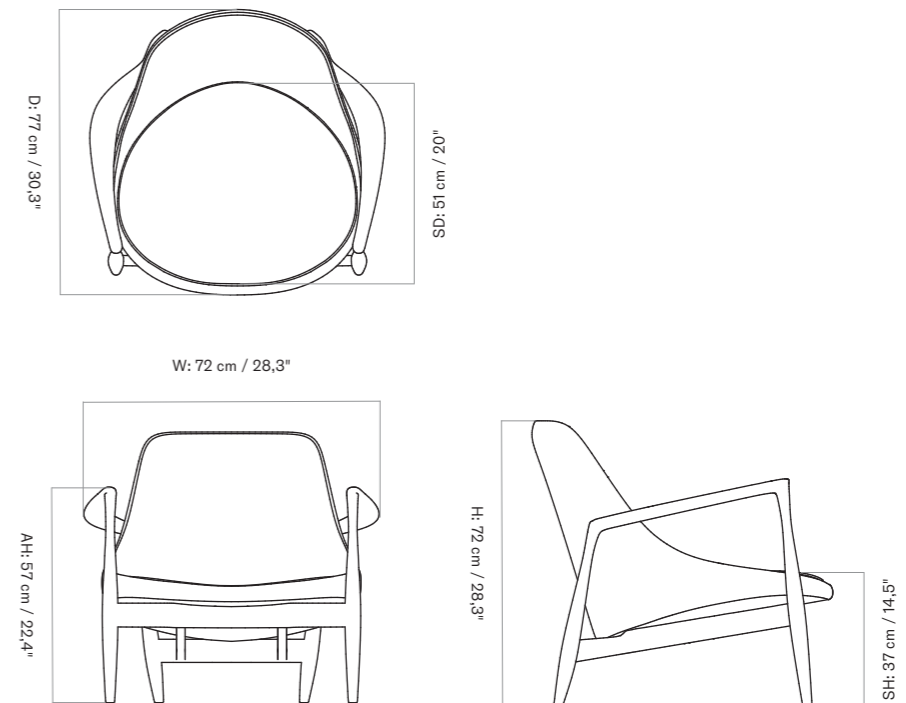
25 kg / 55,1 lb

TEST

N / A

CERTIFICATIONS

TSCA title IV compliant
Crafted from FSC
certified wood





ELIZABETH LOUNGE CHAIR
Designed by *Ib Kofod-Larsen*

[BACK TO START](#)

ICONS

SPEC OPTIONS — PRICES IN SEK
6–8 weeks delivery time

SPEC OPTIONS — PRICES IN SEK
6–8 weeks delivery time

SKU	VARIANT	EXCL. VAT
<i>Textile — Oak Base</i>		
1207000	<i>Price Category 0</i> Audo Bouclé, Audo	40.795,56
1207001	<i>Price Category 1</i> Barnum Bouclé, Audo / Champion, JAB / Illusion, Nevotex / Hot Madison, JAB / Remix 3, Kvadrat / Re-wool, Kvadrat	42.573,33
1207002	<i>Price Category 2</i> Canvas 2, Kvadrat / Clay, Kvadrat, Sahco / Colline 2, Kvadrat / Fiord 2, Kvadrat / Hallingdal 65, Kvadrat / Moss, Kvadrat, Sahco / Reflect, Kvadrat / Savanna, Kvadrat / Steelcut 2, Kvadrat / Steelcut Trio 3, Kvadrat	44.440,00
1207003	<i>Price Category 3</i> Arctic, JAB / Safire, Kvadrat, Sahco / Vidar 4, Kvadrat, Sahco / Zero, Kvadrat, Sahco	46.217,78
1207004	<i>Price Category 4</i> Doppiopanama, Dedar / Grand Mohair, Danish Art Weaving / Lupo, Dedar	48.706,67
<i>Leather — Oak Base</i>		
1207005	<i>Price Category 1</i> Dakar, Nevotex / Envy, Sørensens Leather / Ultra, Sørensens Leather	48.706,67
1207006	<i>Price Category 2</i> Dunes, Sørensens Leather / Nuance, Sørensens Leather	51.106,67
1207007	<i>Price Category 3</i> Royal Nubuck, Sørensens Leather	53.595,56
1207008	<i>Price Category 4</i> Elegance, Sørensens Leather	55.995,56

SKU	VARIANT	EXCL. VAT
<i>Textile — Walnut Base</i>		
1208000	<i>Price Category 0</i> Audo Bouclé, Audo	43.195,56
1208001	<i>Price Category 1</i> Barnum Bouclé, Audo / Champion, JAB / Illusion, Nevotex / Hot Madison, JAB / Remix 3, Kvadrat / Re-wool, Kvadrat	45.062,22
1208002	<i>Price Category 2</i> Canvas 2, Kvadrat / Clay, Kvadrat, Sahco / Colline 2, Kvadrat / Fiord 2, Kvadrat / Hallingdal 65, Kvadrat / Moss, Kvadrat, Sahco / Reflect, Kvadrat / Savanna, Kvadrat / Steelcut 2, Kvadrat / Steelcut Trio 3, Kvadrat	46.840,00
1208003	<i>Price Category 3</i> Arctic, JAB / Safire, Kvadrat, Sahco / Vidar 4, Kvadrat, Sahco / Zero, Kvadrat, Sahco	48.706,67
1208004	<i>Price Category 4</i> Doppiopanama, Dedar / Grand Mohair, Danish Art Weaving / Lupo, Dedar	51.106,67
<i>Leather — Walnut Base</i>		
1208005	<i>Price Category 1</i> Dakar, Nevotex / Envy, Sørensens Leather / Ultra, Sørensens Leather	51.106,67
1208006	<i>Price Category 2</i> Dunes, Sørensens Leather / Nuance, Sørensens Leather	53.595,56
1208007	<i>Price Category 3</i> Royal Nubuck, Sørensens Leather	55.995,56
1208008	<i>Price Category 4</i> Elegance, Sørensens Leather	58.395,56



ELIZABETH OTTOMAN
Designed by *Ib Kofod-Larsen*

[BACK TO START](#)

ICONS

Originally dubbed the U-56, the Elizabeth Footstool by Ib Kofod Larsen is a classical and comfortable accent piece for use when reclining in the corresponding Elizabeth Chair, which takes its name from Queen Elizabeth II, who purchased the design during a visit to Copenhagen in 1962.

PRODUCT OPTIONS

Base



NATURAL OAK



WALNUT

TECHNICAL SPECIFICATIONS

COLLI

1

WEIGHT

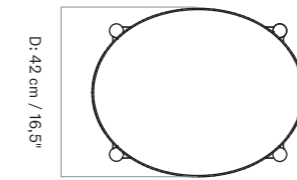
11 kg / 24,2 lb

TEST

N / A

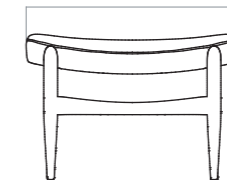
CERTIFICATIONS

TSCA title IV compliant
Crafted from FSC
certified wood

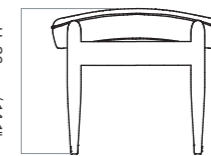


D: 42 cm / 16,5"

W: 57 cm / 22,4"



H: 36 cm / 14,1"





ELIZABETH OTTOMAN
Designed by *Ib Kofod-Larsen*

[BACK TO START](#)

ICONS

SPEC OPTIONS — PRICES IN SEK
6–8 weeks delivery time

SKU	VARIANT	EXCL. VAT
<i>Textile — Oak Base</i>		
1209000	<i>Price Category 0</i> Audo Bouclé, Audo	6.662,22
1209001	<i>Price Category 1</i> Barnum Bouclé, Audo / Champion, JAB / Illusion, Nevotex / Hot Madison, JAB / Remix 3, Kvadrat / Re-wool, Kvadrat	8.528,89
1209002	<i>Price Category 2</i> Canvas 2, Kvadrat / Clay, Kvadrat, Sahco / Colline 2, Kvadrat / Fiord 2, Kvadrat / Hallingdal 65, Kvadrat / Moss, Kvadrat, Sahco / Reflect, Kvadrat / Savanna, Kvadrat / Steelcut 2, Kvadrat / Steelcut Trio 3, Kvadrat	10.306,67
1209003	<i>Price Category 3</i> Arctic, JAB / Safire, Kvadrat, Sahco / Vidar 4, Kvadrat, Sahco / Zero, Kvadrat, Sahco	12.173,33
1209004	<i>Price Category 4</i> Doppiopanama, Dedar / Grand Mohair, Danish Art Weaving / Lupo, Dedar	14.573,33
<i>Leather — Oak Base</i>		
1209005	<i>Price Category 1</i> Dakar, Nevotex / Envy, Sørensen Leather / Ultra, Sørensen Leather	10.928,89
1209006	<i>Price Category 2</i> Dunes, Sørensen Leather / Nuance, Sørensen Leather	12.795,56
1209007	<i>Price Category 3</i> Royal Nubuck, Sørensen Leather	14.573,33
1209008	<i>Price Category 4</i> Elegance, Sørensen Leather	17.062,22

SPEC OPTIONS — PRICES IN SEK
6–8 weeks delivery time

SKU	VARIANT	EXCL. VAT
<i>Textile — Walnut Base</i>		
1211000	<i>Price Category 0</i> Audo Bouclé, Audo	7.284,44
1211001	<i>Price Category 1</i> Barnum Bouclé, Audo / Champion, JAB / Illusion, Nevotex / Hot Madison, JAB / Remix 3, Kvadrat / Re-wool, Kvadrat	9.151,11
1211002	<i>Price Category 2</i> Canvas 2, Kvadrat / Clay, Kvadrat, Sahco / Colline 2, Kvadrat / Fiord 2, Kvadrat / Hallingdal 65, Kvadrat / Moss, Kvadrat, Sahco / Reflect, Kvadrat / Savanna, Kvadrat / Steelcut 2, Kvadrat / Steelcut Trio 3, Kvadrat	10.928,89
1211003	<i>Price Category 3</i> Arctic, JAB / Safire, Kvadrat, Sahco / Vidar 4, Kvadrat, Sahco / Zero, Kvadrat, Sahco	12.795,56
1211004	<i>Price Category 4</i> Doppiopanama, Dedar / Grand Mohair, Danish Art Weaving / Lupo, Dedar	15.195,56
<i>Leather — Walnut Base</i>		
1211005	<i>Price Category 1</i> Dakar, Nevotex / Envy, Sørensen Leather / Ultra, Sørensen Leather	12.173,33
1211006	<i>Price Category 2</i> Dunes, Sørensen Leather / Nuance, Sørensen Leather	13.951,11
1211007	<i>Price Category 3</i> Royal Nubuck, Sørensen Leather	15.817,78
1211008	<i>Price Category 4</i> Elegance, Sørensen Leather	18.217,78



ODA LOUNGE CHAIR
Designed by *Arnold Madsen*

ICONS

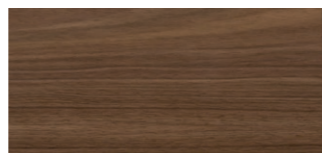
Originally known as the MS-9, Arnold Madsen's Oda Chair from c. 1957 is recognised for its embracing form and careful craft. Its cocooning shape features in-built wooden armrests and moulded lumbar and neck support, making it the perfect armchair for everyday rest and relaxation.

PRODUCT OPTIONS

Base



NATURAL OAK



WALNUT

TECHNICAL SPECIFICATIONS

COLLI

1

WEIGHT

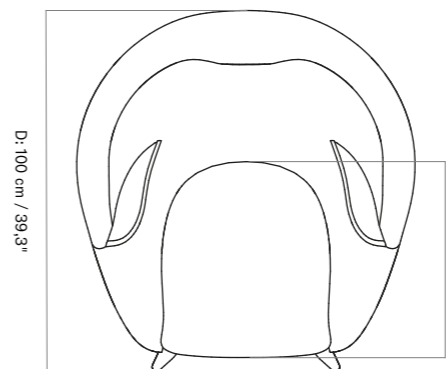
23 kg / 50,7 lb

TEST

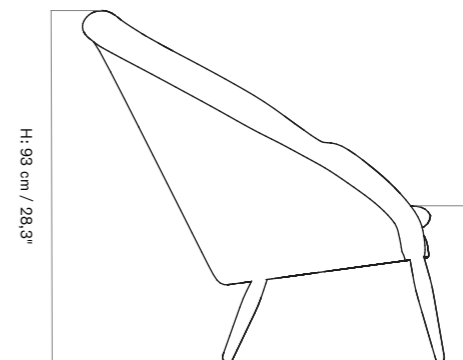
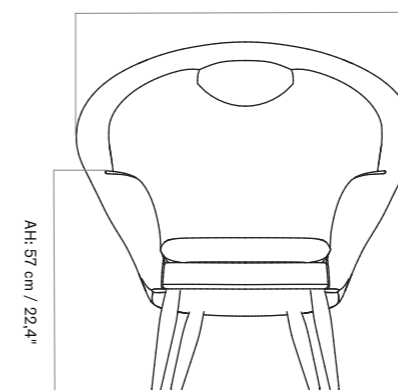
N / A

CERTIFICATIONS

TSCA title IV compliant
Crafted from FSC
certified wood



W: 87 cm / 34,2"





ODA LOUNGE CHAIR
Designed by *Arnold Madsen*

[BACK TO START](#)

ICONS

SPEC OPTIONS — PRICES IN SEK
6–8 weeks delivery time

SKU	VARIANT	EXCL. VAT
<i>Textile — Oak Base</i>		
1212002	<i>Price Category 2</i> Hallingdal 65, Kvadrat / Moss, Kvadrat, Sahco / Savanna, Kvadrat	38.306,67
1212003	<i>Price Category 3</i> Arctic, JAB / Safire, Kvadrat, Sahco / Vidar 4, Kvadrat, Sahco / Zero, Kvadrat, Sahco	40.173,33
1212004	<i>Price Category 4</i> Lupo, Dedar	42.573,33
<i>Textile — Walnut Base</i>		
1213002	<i>Price Category 2</i> Hallingdal 65, Kvadrat / Moss, Kvadrat, Sahco / Savanna, Kvadrat	42.040,00
1213003	<i>Price Category 3</i> Arctic, JAB / Safire, Kvadrat, Sahco / Vidar 4, Kvadrat, Sahco / Zero, Kvadrat, Sahco	43.817,78
1213004	<i>Price Category 4</i> Lupo, Dedar	46.217,78



ODA OTTOMAN

Designed by *Arnold Madsen*

[BACK TO START](#)

ICONS

Designed for use with Arnold Madsen's Oda Chair but equally purposeful alone, the Oda Footstool profiles the same careful craft and embracing form, shaped to offer comfortable support when seated.

PRODUCT OPTIONS

Base



NATURAL OAK



WALNUT

TECHNICAL SPECIFICATIONS

COLLI

1

WEIGHT

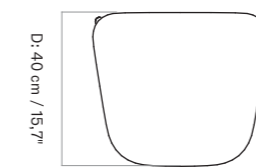
12 kg / 26,4 lb

TEST

N / A

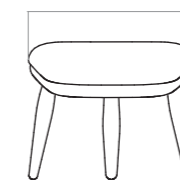
CERTIFICATIONS

TSCA title IV compliant
Crafted from FSC
certified wood

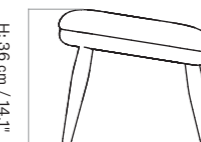


D: 40 cm / 15,7"

W: 46 cm / 18,1"



H: 36 cm / 14,1"





ODA OTTOMAN
Designed by *Arnold Madsen*

[BACK TO START](#)

ICONS

SPEC OPTIONS — PRICES IN SEK
6–8 weeks delivery time

SKU	VARIANT	EXCL. VAT
<i>Textile — Oak Base</i>		
1214002	<i>Price Category 2</i> Hallingdal 65, Kvadrat / Moss, Kvadrat, Sahco / Savanna, Kvadrat	10.306,67
1214003	<i>Price Category 3</i> Arctic, JAB / Safire, Kvadrat, Sahco / Vidar 4, Kvadrat, Sahco / Zero, Kvadrat, Sahco	12.173,33
1214004	<i>Price Category 4</i> Lupo, Dedar	14.573,33
<i>Textile — Walnut Base</i>		
1215002	<i>Price Category 2</i> Hallingdal 65, Kvadrat / Moss, Kvadrat, Sahco / Savanna, Kvadrat	10.928,89
1215003	<i>Price Category 3</i> Arctic, JAB / Safire, Kvadrat, Sahco / Vidar 4, Kvadrat, Sahco / Zero, Kvadrat, Sahco	12.795,56
1215004	<i>Price Category 4</i> Lupo, Dedar	15.195,56



ICONS

THE SEAL LOUNGE CHAIR, HIGH BACK Designed by *Ib Kofod-Larsen*

[BACK TO START](#)

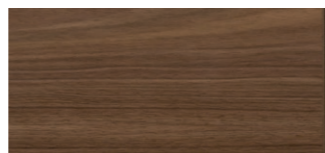
Designed in 1952 by Ib Kofod-Larsen, The Seal showcases the Danish designer's attention to detail, comfort and organic forms to full effect. One of his best-known designs, the casually elegant chair invites relaxation thanks to its angled frame and cushioning seat and backrest.

PRODUCT OPTIONS

Base



NATURAL OAK



WALNUT

TECHNICAL SPECIFICATIONS

COLLI

1

WEIGHT

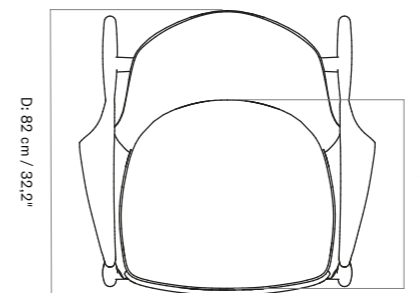
29 kg / 63,9 lb

TEST

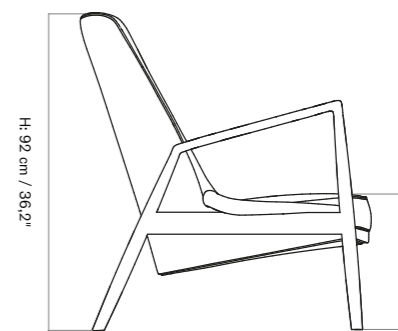
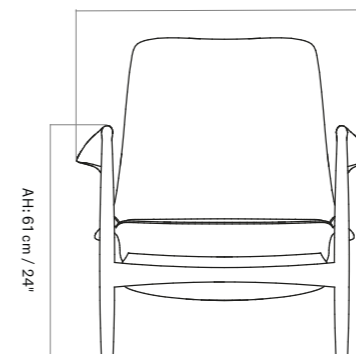
N / A

CERTIFICATIONS

TSCA title IV compliant
Crafted from FSC
certified wood



W: 80 cm / 31.4"





ICONS

THE SEAL LOUNGE CHAIR, HIGH BACK
Designed by *Ib Kofod-Larsen*

[BACK TO START](#)

SPEC OPTIONS — PRICES IN SEK
6–8 weeks delivery time

SKU	VARIANT	EXCL. VAT
<i>Textile — Oak Base</i>		
1223000	<i>Price Category 0</i> Audo Bouclé, Audo	39.676,00
1223001	<i>Price Category 1</i> Barnum Bouclé, Audo / Champion, JAB / Illusion, Nevotex / Hot Madison, JAB / Remix 3, Kvadrat / Re-wool, Kvadrat	41.436,00
1223002	<i>Price Category 2</i> Canvas 2, Kvadrat / Clay, Kvadrat, Sahco / Colline 2, Kvadrat / Fiord 2, Kvadrat / Hallingdal 65, Kvadrat / Moss, Kvadrat, Sahco / Reflect, Kvadrat / Savanna, Kvadrat / Steelcut 2, Kvadrat / Steelcut Trio 3, Kvadrat	43.196,00
1223003	<i>Price Category 3</i> Arctic, JAB / Safire, Kvadrat, Sahco / Vidar 4, Kvadrat, Sahco / Zero, Kvadrat, Sahco	44.796,00
1223004	<i>Price Category 4</i> Doppiopanama, Dedar / Grand Mohair, Danish Art Weaving / Lupo, Dedar	47.116,00
<i>Leather — Oak Base</i>		
1223005	<i>Price Category 1</i> Dakar, Nevotex / Envy, Sørensens Leather / Ultra, Sørensens Leather	47.116,00
1223006	<i>Price Category 2</i> Dunes, Sørensens Leather / Nuance, Sørensens Leather	48.876,00
1223007	<i>Price Category 3</i> Royal Nubuck, Sørensens Leather	50.636,00
1223008	<i>Price Category 4</i> Elegance, Sørensens Leather	52.956,00

SPEC OPTIONS — PRICES IN SEK
6–8 weeks delivery time

SKU	VARIANT	EXCL. VAT
<i>Textile — Walnut Base</i>		
1224000	<i>Price Category 0</i> Audo Bouclé, Audo	43.196,00
1224001	<i>Price Category 1</i> Barnum Bouclé, Audo / Champion, JAB / Illusion, Nevotex / Hot Madison, JAB / Remix 3, Kvadrat / Re-wool, Kvadrat	44.796,00
1224002	<i>Price Category 2</i> Canvas 2, Kvadrat / Clay, Kvadrat, Sahco / Colline 2, Kvadrat / Fiord 2, Kvadrat / Hallingdal 65, Kvadrat / Moss, Kvadrat, Sahco / Reflect, Kvadrat / Savanna, Kvadrat / Steelcut 2, Kvadrat / Steelcut Trio 3, Kvadrat	46.556,00
1224003	<i>Price Category 3</i> Arctic, JAB / Safire, Kvadrat, Sahco / Vidar 4, Kvadrat, Sahco / Zero, Kvadrat, Sahco	48.316,00
1224004	<i>Price Category 4</i> Doppiopanama, Dedar / Grand Mohair, Danish Art Weaving / Lupo, Dedar	50.636,00
<i>Leather — Walnut Base</i>		
1224005	<i>Price Category 1</i> Dakar, Nevotex / Envy, Sørensens Leather / Ultra, Sørensens Leather	49.436,00
1224006	<i>Price Category 2</i> Dunes, Sørensens Leather / Nuance, Sørensens Leather	51.196,00
1224007	<i>Price Category 3</i> Royal Nubuck, Sørensens Leather	52.956,00
1224008	<i>Price Category 4</i> Elegance, Sørensens Leather	55.196,00



ICONS

THE SEAL LOUNGE CHAIR, LOW BACK Designed by *Ib Kofod-Larsen*

[BACK TO START](#)

Designed in 1952 by Ib Kofod-Larsen, The Seal showcases the Danish designer's attention to detail, comfort and organic forms to full effect. One of his best-known designs, the casually elegant chair invites relaxation thanks to its angled frame and cushioning seat and backrest.

PRODUCT OPTIONS

Base



NATURAL OAK



WALNUT

TECHNICAL SPECIFICATIONS

COLLI

1

WEIGHT

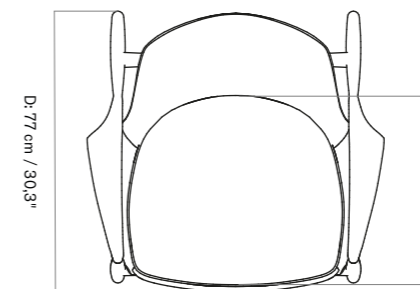
28 kg / 61,7 lb

TEST

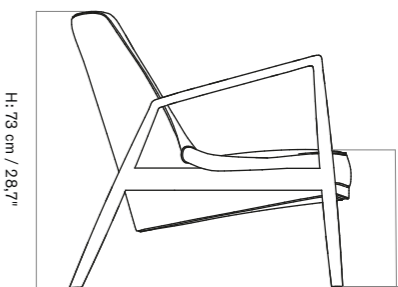
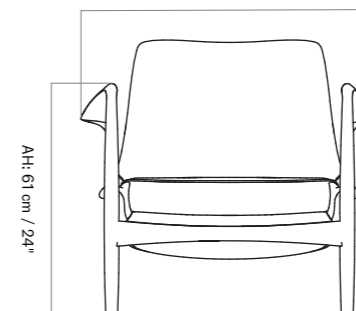
N / A

CERTIFICATIONS

TSCA title IV compliant
Crafted from FSC
certified wood



W: 80 cm / 31.5\"/>



SH: 40 cm / 15.7\"/>



THE SEAL LOUNGE CHAIR, LOW BACK
Designed by *Ib Kofod-Larsen*

[BACK TO START](#)

ICONS

SPEC OPTIONS — PRICES IN SEK
6–8 weeks delivery time

SPEC OPTIONS — PRICES IN SEK
6–8 weeks delivery time

SKU	VARIANT	EXCL. VAT
<i>Textile — Oak Base</i>		
1225000	<i>Price Category 0</i> Audo Bouclé, Audo	38.556,00
1225001	<i>Price Category 1</i> Barnum Bouclé, Audo / Champion, JAB / Illusion, Nevotex / Hot Madison, JAB / Remix 3, Kvadrat / Re-wool, Kvadrat	40.236,00
1225002	<i>Price Category 2</i> Canvas 2, Kvadrat / Clay, Kvadrat, Sahco / Colline 2, Kvadrat / Fiord 2, Kvadrat / Hallingdal 65, Kvadrat / Moss, Kvadrat, Sahco / Reflect, Kvadrat / Savanna, Kvadrat / Steelcut 2, Kvadrat / Steelcut Trio 3, Kvadrat	41.996,00
1225003	<i>Price Category 3</i> Arctic, JAB / Safire, Kvadrat, Sahco / Vidar 4, Kvadrat, Sahco / Zero, Kvadrat, Sahco	43.756,00
1225004	<i>Price Category 4</i> Doppiopanama, Dedar / Grand Mohair, Danish Art Weaving / Lupo, Dedar	45.996,00
<i>Leather — Oak Base</i>		
1225005	<i>Price Category 1</i> Dakar, Nevotex / Envy, Sørensens Leather / Ultra, Sørensens Leather	45.996,00
1225006	<i>Price Category 2</i> Dunes, Sørensens Leather / Nuance, Sørensens Leather	47.756,00
1225007	<i>Price Category 3</i> Royal Nubuck, Sørensens Leather	49.436,00
1225008	<i>Price Category 4</i> Elegance, Sørensens Leather	51.756,00

SKU	VARIANT	EXCL. VAT
<i>Textile — Walnut Base</i>		
1226000	<i>Price Category 0</i> Audo Bouclé, Audo	40.876,00
1226001	<i>Price Category 1</i> Barnum Bouclé, Audo / Champion, JAB / Illusion, Nevotex / Hot Madison, JAB / Remix 3, Kvadrat / Re-wool, Kvadrat	42.476,00
1226002	<i>Price Category 2</i> Canvas 2, Kvadrat / Clay, Kvadrat, Sahco / Colline 2, Kvadrat / Fiord 2, Kvadrat / Hallingdal 65, Kvadrat / Moss, Kvadrat, Sahco / Reflect, Kvadrat / Savanna, Kvadrat / Steelcut 2, Kvadrat / Steelcut Trio 3, Kvadrat	44.236,00
1226003	<i>Price Category 3</i> Arctic, JAB / Safire, Kvadrat, Sahco / Vidar 4, Kvadrat, Sahco / Zero, Kvadrat, Sahco	45.996,00
1226004	<i>Price Category 4</i> Doppiopanama, Dedar / Grand Mohair, Danish Art Weaving / Lupo, Dedar	48.316,00
<i>Leather — Walnut Base</i>		
1226005	<i>Price Category 1</i> Dakar, Nevotex / Envy, Sørensens Leather / Ultra, Sørensens Leather	48.316,00
1226006	<i>Price Category 2</i> Dunes, Sørensens Leather / Nuance, Sørensens Leather	50.076,00
1226007	<i>Price Category 3</i> Royal Nubuck, Sørensens Leather	51.756,00
1226008	<i>Price Category 4</i> Elegance, Sørensens Leather	53.996,00



THE SEAL OTTOMAN
Designed by *Ib Kofod-Larsen*

[BACK TO START](#)

ICONS

Designed in 1952 to complement The Seal Chair, this corresponding footstool offers the same signature attention to detail, comfort and organic forms that have made Ib Kofod-Larsen a pioneer of mid-century modern design.



PRODUCT OPTIONS

Base



NATURAL OAK



WALNUT

TECHNICAL SPECIFICATIONS

COLLI

1

WEIGHT

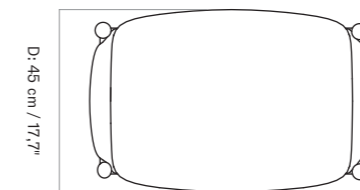
15 kg / 33 lb

TEST

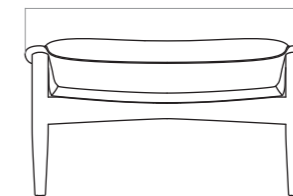
N / A

CERTIFICATIONS

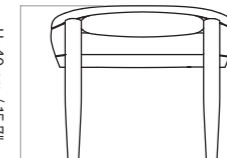
TSCA title IV compliant
Crafted from FSC
certified wood



W: 75 cm / 29,5"



H: 40 cm / 15,7"





THE SEAL OTTOMAN
Designed by *Ib Kofod-Larsen*

[BACK TO START](#)

ICONS

SPEC OPTIONS — PRICES IN SEK
6–8 weeks delivery time

SPEC OPTIONS — PRICES IN SEK
6–8 weeks delivery time

SKU	VARIANT	EXCL. VAT
<i>Textile — Oak Base</i>		
1227000	<i>Price Category 0</i> Audo Bouclé, Audo	6.316,00
1227001	<i>Price Category 1</i> Barnum Bouclé, Audo / Champion, JAB / Illusion, Nevotex / Hot Madison, JAB / Remix 3, Kvadrat / Re-wool, Kvadrat	7.996,00
1227002	<i>Price Category 2</i> Canvas 2, Kvadrat / Clay, Kvadrat, Sahco / Colline 2, Kvadrat / Fiord 2, Kvadrat / Hallingdal 65, Kvadrat / Moss, Kvadrat, Sahco / Reflect, Kvadrat / Savanna, Kvadrat / Steelcut 2, Kvadrat / Steelcut Trio 3, Kvadrat	9.756,00
1227003	<i>Price Category 3</i> Arctic, JAB / Safire, Kvadrat, Sahco / Vidar 4, Kvadrat, Sahco / Zero, Kvadrat, Sahco	11.516,00
1227004	<i>Price Category 4</i> Doppiopanama, Dedar / Grand Mohair, Danish Art Weaving / Lupo, Dedar	13.836,00
<i>Leather — Oak Base</i>		
1227005	<i>Price Category 1</i> Dakar, Nevotex / Envy, Sørensen Leather / Ultra, Sørensen Leather	10.316,00
1227006	<i>Price Category 2</i> Dunes, Sørensen Leather / Nuance, Sørensen Leather	12.076,00
1227007	<i>Price Category 3</i> Royal Nubuck, Sørensen Leather	13.836,00
1227008	<i>Price Category 4</i> Elegance, Sørensen Leather	16.076,00

SKU	VARIANT	EXCL. VAT
<i>Textile — Walnut Base</i>		
1228000	<i>Price Category 0</i> Audo Bouclé, Audo	6.876,00
1228001	<i>Price Category 1</i> Barnum Bouclé, Audo / Champion, JAB / Illusion, Nevotex / Hot Madison, JAB / Remix 3, Kvadrat / Re-wool, Kvadrat	8.636,00
1228002	<i>Price Category 2</i> Canvas 2, Kvadrat / Clay, Kvadrat, Sahco / Colline 2, Kvadrat / Fiord 2, Kvadrat / Hallingdal 65, Kvadrat / Moss, Kvadrat, Sahco / Reflect, Kvadrat / Savanna, Kvadrat / Steelcut 2, Kvadrat / Steelcut Trio 3, Kvadrat	10.316,00
1228003	<i>Price Category 3</i> Arctic, JAB / Safire, Kvadrat, Sahco / Vidar 4, Kvadrat, Sahco / Zero, Kvadrat, Sahco	12.076,00
1228004	<i>Price Category 4</i> Doppiopanama, Dedar / Grand Mohair, Danish Art Weaving / Lupo, Dedar	14.316,00
<i>Leather — Walnut Base</i>		
1228005	<i>Price Category 1</i> Dakar, Nevotex / Envy, Sørensen Leather / Ultra, Sørensen Leather	11.516,00
1228006	<i>Price Category 2</i> Dunes, Sørensen Leather / Nuance, Sørensen Leather	13.276,00
1228007	<i>Price Category 3</i> Royal Nubuck, Sørensen Leather	14.876,00
1228008	<i>Price Category 4</i> Elegance, Sørensen Leather	17.196,00

 [Afterroom Stool](#) →

 [Afterroom Counter Stool](#) →

 [Afterroom Bar Stool](#) →

 [Passage Stool](#) →

 [Passage Counter Stool](#) →

 [Passage Bar Stool](#) →

 [ML 42, Shoemaker Stool](#) →

 [ML 42, Counter Stool](#) →

 [ML 42, Bar Stool](#) →

 [Afterroom Bench](#) →

CORE

Stool with tubular powder coated steel, with a circular footrest. Available with or without upholstered seat.



PRODUCT OPTIONS

Seat



WITHOUT UPHOLSTERY



WITH UPHOLSTERY

Powder coated steel base



BLACK STEEL

Spec options

Available in fabrics from our upholstery programme. Standard lead times apply.

For custom upholstery, please refer to the guiding textile/leather consumption:
COM: 0,59 m / 0,649 yds
COL: 0,88 m2 / 9,4776 sqft

Prices excl. custom upholstery are equal to Price Category 1 Textile or Leather. Contact Sales support for approval of custom upholstery and to place your order.

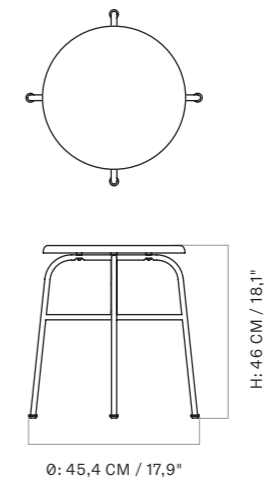
The above textile consumption is only valid for textile rolls with a width equal to or greater than 140 cm. For smaller textile rolls, please contact Sales Support for guidance. For textile with pattern, please expect a higher usage for correct pattern fitting. Please contact Sales Support for guidance.

QUICK SHIP OPTIONS — PRICES IN SEK
Selected combinations up to 4 weeks delivery time.

SKU	VARIANT	EXCL. VAT
<i>Brasilia Ottoman — Walnut base</i>		
8480530	 AFTERROOM STOOL, BLACK STEEL / BLACK	2.076,00

TECHNICAL SPECIFICATIONS

COLLI	WEIGHT	TEST	CERTIFICATIONS
1	Without upholstery: 3,5 kg / 7,7 lb With upholstery: 2,9 kg / 6,4 lb	N / A	TSCA title VI compliant Declare.





AFTERROOM STOOL
Designed by *Afteroom*

[BACK TO START](#)

CORE

SPEC OPTIONS — PRICES IN SEK
6–8 weeks delivery time

SKU	VARIANT	EXCL. VAT
<i>Textile — Natural oak base</i>		
8480020	<i>Price Category 0</i> Audo Bouclé, Audo	1.756,00
8480001	<i>Price Category 1</i> Barnum Bouclé, Audo / Champion, JAB / Illusion, Nevotex / Hot Madison, JAB / Maple, Kvadrat / Remix 3, Kvadrat / Re-wool, Kvadrat	2.076,00
8480002	<i>Price Category 2</i> Canvas 2, Kvadrat / Clay, Kvadrat, Sahco / Colline 2, Kvadrat / Fiord 2, Kvadrat / Hallingdal 65, Kvadrat / Moss, Kvadrat, Sahco / Reflect, Kvadrat / Savanna, Kvadrat / Steelcut 2, Kvadrat / Steelcut Trio 3, Kvadrat	2.876,00
8480003	<i>Price Category 3</i> Arctic, JAB / Safire, Kvadrat, Sahco / Vidar 4, Kvadrat, Sahco / Zero, Kvadrat, Sahco	3.196,00
8480008	<i>Price Category 4</i> Cabanon Soft, Designers Guild / Doppiopanama, Dedar / Grand Mohair, Danish Art Weaving / Lupo, Dedar	3.356,00
<i>Leather — Natural oak base</i>		
8480004	<i>Price Category 1</i> Dakar, Nevotex / Envy, Sørensen Leather / Ultra, Sørensen Leather	2.876,00
8480005	<i>Price Category 2</i> Dunes, Sørensen Leather / Nuance, Sørensen Leather	3.196,00
8480006	<i>Price Category 3</i> Royal Nubuck, Sørensen Leather	3.516,00
8480007	<i>Price Category 4</i> Elegance, Sørensen Leather	4.556,00



AFTERROOM COUNTER STOOL

Designed by *Afteroom*

[BACK TO START](#)

CORE

Counter stool with tubular powder coated steel, with a circular footrest. Available with or without upholstered seat.



PRODUCT OPTIONS

Seat



WITHOUT UPHOLSTERY



WITH UPHOLSTERY

Powder coated steel base



BLACK STEEL

Spec options

Available in fabrics from our upholstery programme. Standard lead times apply.

For custom upholstery, please refer to the guiding textile/leather consumption:
COM: 0,59 m / 0,649 yds
COL: 0,88 m2 / 9,4776 sqft

Prices excl. custom upholstery are equal to Price Category 1 Textile or Leather. Contact Sales support for approval of custom upholstery and to place your order.

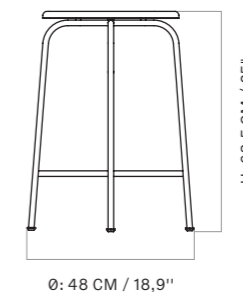
The above textile consumption is only valid for textile rolls with a width equal to or greater than 140 cm. For smaller textile rolls, please contact Sales Support for guidance. For textile with pattern, please expect a higher usage for correct pattern fitting. Please contact Sales Support for guidance.

QUICK SHIP OPTIONS — PRICES IN SEK
Selected combinations up to 4 weeks delivery time.

SKU	VARIANT	EXCL. VAT
<i>Seat without Upholstery — Black Steel base</i>		
9480530	 AFTERROOM COUNTER STOOL, BLACK STEEL / BLACK	2.076,00

TECHNICAL SPECIFICATIONS

COLLI	WEIGHT	TEST	CERTIFICATIONS
1	Without upholstery: 4,2 kg / 9,3 lb With upholstery: 3,6 kg / 8 lb	N / A	TSCA title VI compliant Declare.





AFTERROOM COUNTER STOOL Designed by *Afteroom*

[BACK TO START](#)

CORE

SPEC OPTIONS — PRICES IN SEK
6–8 weeks delivery time

SKU	VARIANT	EXCL. VAT
<i>Textile — Natural oak base</i>		
9480020	<i>Price Category 0</i> Audo Bouclé, Audo	2.316,00
9480001	<i>Price Category 1</i> Barnum Bouclé, Audo / Champion, JAB / Illusion, Nevotex / Hot Madison, JAB / Maple, Kvadrat / Remix 3, Kvadrat / Re-wool, Kvadrat	2.876,00
9480002	<i>Price Category 2</i> Canvas 2, Kvadrat / Clay, Kvadrat, Sahco / Colline 2, Kvadrat / Fiord 2, Kvadrat / Hallingdal 65, Kvadrat / Moss, Kvadrat, Sahco / Reflect, Kvadrat / Savanna, Kvadrat / Steelcut 2, Kvadrat / Steelcut Trio 3, Kvadrat	3.196,00
9480003	<i>Price Category 3</i> Arctic, JAB / Safire, Kvadrat, Sahco / Vidar 4, Kvadrat, Sahco / Zero, Kvadrat, Sahco	3.756,00
9480008	<i>Price Category 4</i> Cabanon Soft, Designers Guild / Doppiopanama, Dedar / Grand Mohair, Danish Art Weaving / Lupo, Dedar	3.836,00
<i>Leather — Natural oak base</i>		
9480004	<i>Price Category 1</i> Dakar, Nevotex / Envy, Sørensen Leather / Ultra, Sørensen Leather	3.196,00
9480005	<i>Price Category 2</i> Dunes, Sørensen Leather / Nuance, Sørensen Leather	3.756,00
9480006	<i>Price Category 3</i> Royal Nubuck, Sørensen Leather	4.156,00
9480007	<i>Price Category 4</i> Elegance, Sørensen Leather	5.036,00



AFTERROOM BAR STOOL
Designed by *Afteroom*

[BACK TO START](#)

CORE

Bar stool with tubular powder coated steel, with a circular footrest.



PRODUCT OPTIONS

Seat



WITH UPHOLSTERY

Powder coated steel base



BLACK STEEL

Spec options

Available in fabrics from our upholstery programme. Standard lead times apply.

For custom upholstery, please refer to the guiding textile/leather consumption:
COM: 0,59 m / 0,649 yds
COL: 0,88 m2 / 9,4776 sqft

Prices excl. custom upholstery are equal to Price Category 1 Textile or Leather. Contact Sales support for approval of custom upholstery and to place your order.

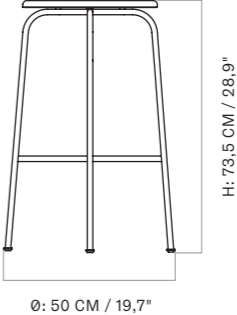
The above textile consumption is only valid for textile rolls with a width equal to or greater than 140 cm. For smaller textile rolls, please contact Sales Support for guidance. For textile with pattern, please expect a higher usage for correct pattern fitting. Please contact Sales Support for guidance.

QUICK SHIP OPTIONS — PRICES IN SEK
Selected combinations up to 4 weeks delivery time.

SKU	VARIANT	EXCL. VAT
<i>Seat without Upholstery — Black Steel base</i>		
9470530	 AFTERROOM BAR STOOL, BLACK STEEL / BLACK	2.076,00

TECHNICAL SPECIFICATIONS

COLLI	WEIGHT	TEST	CERTIFICATIONS
1	3,8 kg / 8,4 lb	N / A	TSCA title VI compliant Declare.





AFTEROOM BAR STOOL
Designed by *Afteroom*

[BACK TO START](#)

CORE

SPEC OPTIONS — PRICES IN SEK
6–8 weeks delivery time

SKU	VARIANT	EXCL. VAT
<i>Textile — Natural oak base</i>		
9470020	<i>Price Category 0</i> Audo Bouclé, Audo	2.396,00
9470001	<i>Price Category 1</i> Barnum Bouclé, Audo / Champion, JAB / Illusion, Nevotex / Hot Madison, JAB / Maple, Kvadrat / Remix 3, Kvadrat / Re-wool, Kvadrat	2.876,00
9470002	<i>Price Category 2</i> Canvas 2, Kvadrat / Clay, Kvadrat, Sahco / Colline 2, Kvadrat / Fiord 2, Kvadrat / Hallingdal 65, Kvadrat / Moss, Kvadrat, Sahco / Reflect, Kvadrat / Savanna, Kvadrat / Steelcut 2, Kvadrat / Steelcut Trio 3, Kvadrat	3.276,00
9470003	<i>Price Category 3</i> Arctic, JAB / Safire, Kvadrat, Sahco / Vidar 4, Kvadrat, Sahco / Zero, Kvadrat, Sahco	3.836,00
9470008	<i>Price Category 4</i> Cabanon Soft, Designers Guild / Doppiopanama, Dedar / Grand Mohair, Danish Art Weaving / Lupo, Dedar	4.076,00
<i>Leather — Natural oak base</i>		
9470004	<i>Price Category 1</i> Dakar, Nevotex / Envy, Sørensen Leather / Ultra, Sørensen Leather	3.276,00
9470005	<i>Price Category 2</i> Dunes, Sørensen Leather / Nuance, Sørensen Leather	3.836,00
9470006	<i>Price Category 3</i> Royal Nubuck, Sørensen Leather	4.156,00
9470007	<i>Price Category 4</i> Elegance, Sørensen Leather	5.116,00



PASSAGE STOOL
Designed by *Krøyer-Sætter-Lassen*

[BACK TO START](#)

CORE

Carefully crafted with all the hallmarks of great carpentry, the Passage Stool in FSC-certified solid oak has a warm expression and an organic silhouette that invite to touch. Devised as a flatpack for quick and easy self-assembly, connecting the user to the design, it is offered in a natural or dark lacquered finish. The versatile, flexible piece can be used anywhere where an extra seat is required – at the dining table, office desk, or even as a side table or landing place for clothing in a bedroom or bathroom – and multiples can be stacked together when not in use.




PRODUCT OPTIONS

Seat & base



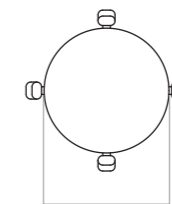
NATURAL OAK

STOCK OPTIONS — PRICES IN SEK

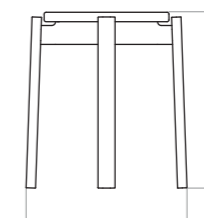
SKU	VARIANT	EXCL. VAT
9110039	 PASSAGE STOOL, NATURAL OAK	2.396,00

TECHNICAL SPECIFICATIONS

COLLI	WEIGHT	TEST	CERTIFICATIONS
1	3,8 kg / 8,4 lb	N / A	Crafted from FSC certified oak



Ø: 33 cm / 13"



Ø: 42,5 cm / 16,7"

H: 46,5 cm / 18,3"



PASSAGE COUNTER STOOL
Designed by *Skogstad & Wærnes*

[BACK TO START](#)

CORE

This solid oak stool is carefully crafted with all the hallmarks of great carpentry. Offered in a natural or dark lacquered finish, the warm expression and organic silhouette invite to touch. Place the versatile design anywhere where an extra seat is required.

PRODUCT OPTIONS

Seat & backrest





NATURAL OAK



DARK LACQUERED OAK

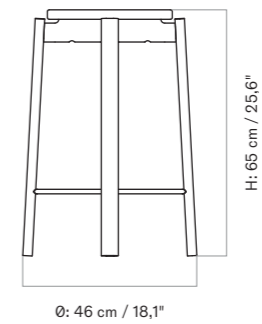
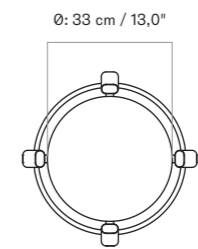
STOCK OPTIONS — PRICES IN SEK

SKU	VARIANT	EXCL. VAT
9120039	 PASSAGE COUNTER STOOL, NATURAL OAK	3.196,00
9120959	 PASSAGE COUNTER STOOL, DARK LACQUERED OAK	2.396,00



TECHNICAL SPECIFICATIONS

COLLI	WEIGHT	TEST	CERTIFICATIONS
1	6,5 kg / 14,3 lb	N / A	N / A





PASSAGE BAR STOOL
Designed by *Krøyer-Sætter-Lassen*

[BACK TO START](#)

This solid oak stool is carefully crafted with all the hallmarks of great carpentry. Offered in a natural or dark lacquered finish, the warm expression and organic silhouette invite to touch. Place the versatile design anywhere where an extra seat is required.

PRODUCT OPTIONS

STOCK OPTIONS — PRICES IN SEK



Seat & backrest



NATURAL OAK



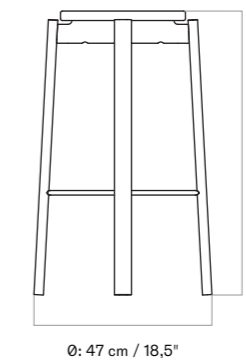
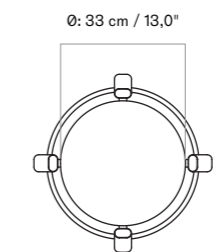
DARK LACQUERED OAK

SKU	VARIANT	EXCL. VAT
9115039	 PASSAGE BAR STOOL, NATURAL OAK	3.356,00
9115959	 PASSAGE BAR STOOL, DARK LACQUERED OAK	2.636,00



TECHNICAL SPECIFICATIONS

COLLI	WEIGHT	TEST	CERTIFICATIONS
1	7 kg / 15,4 lb	N / A	N / A



ML 42, SHOEMAKER STOOL
Designed by *Mogens Lassen*

CORE

In 1942 Mogens Lassen designed the Stool ML42 as a piece for a furniture exhibition held at the Danish Museum of Decorative Art. He took inspiration from the stools used by the shoemakers of the past, and transferred the light, elegant look to the creation of this sculptural three-legged stool. The Stool ML42 is considered a collector's item by international design connoisseurs.



PRODUCT OPTIONS

Seat



BLACK STAINED BEECH



SOAP TREATED OAK



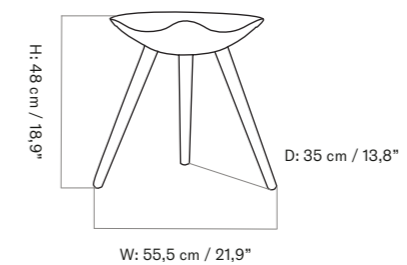
BROWN OILED OAK

STOCK OPTIONS — PRICES IN SEK

SKU	VARIANT	EXCL. VAT
BL41011	ML 42 STOOL, BLACK STAINED BEECH	6.316,00
BL41111	ML 42 STOOL, SOAP TREATED OAK	9.116,00
BL41411	ML 42 STOOL, BROWN OILED OAK	9.196,00

TECHNICAL SPECIFICATIONS

COLLI	WEIGHT	TEST	CERTIFICATIONS
1	6,5 kg / 14,33 lb	N / A	N / A





ML 42, COUNTER STOOL
Designed by *Mogens Lassen*

[BACK TO START](#)

CORE

In 1942 Mogens Lassen designed the Stool ML42 as a piece for a furniture exhibition held at the Danish Museum of Decorative Art. He took inspiration from the stools used by the shoemakers of the past, and transferred the light, elegant look to the creation of this sculptural three-legged stool. The Stool ML42 is considered a collector's item by international design connoisseurs.



PRODUCT OPTIONS

Seat



BLACK STAINED BEECH



SOAP TREATED OAK



BROWN OILED OAK

Footrest



STEEL



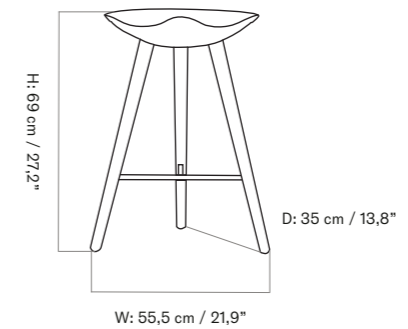
BRASS

STOCK OPTIONS — PRICES IN SEK

SKU	VARIANT	EXCL. VAT
BL41012	ML 42 COUNTER STOOL, BLACK STAINED BEECH / STAINLESS STEEL	6.636,00
BL41022	ML 42 COUNTER STOOL, BLACK STAINED BEECH / BRASS	6.636,00
BL41112	ML 42 COUNTER STOOL, SOAP TREATED OAK / STAINLESS STEEL	9.756,00
BL41122	ML 42 COUNTER STOOL, SOAP TREATED OAK / BRASS	9.756,00
BL41412	ML 42 COUNTER STOOL, BROWN OILED OAK / STAINLESS STEEL	9.756,00
BL41422	ML 42 COUNTER STOOL, BROWN OILED OAK / BRASS	9.756,00

TECHNICAL SPECIFICATIONS

COLLI	WEIGHT	TEST	CERTIFICATIONS
1	8 kg / 17,64 lb	N / A	N / A





ML 42, BAR STOOL
Designed by *Mogens Lassen*

[BACK TO START](#)

CORE

In 1942 Mogens Lassen designed the Stool ML42 as a piece for a furniture exhibition held at the Danish Museum of Decorative Art. He took inspiration from the stools used by the shoemakers of the past, and transferred the light, elegant look to the creation of this sculptural three-legged stool. The Stool ML42 is considered a collector's item by international design connoisseurs.



PRODUCT OPTIONS

Seat



BLACK STAINED BEECH



SOAP TREATED OAK



BROWN OILED OAK

Footrest



STEEL



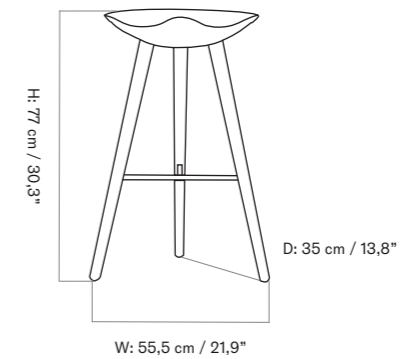
BRASS

STOCK OPTIONS — PRICES IN SEK

SKU	VARIANT	EXCL. VAT
BL41013	ML 42 BAR STOOL, BLACK STAINED BEECH / STAINLESS STEEL	7.436,00
BL41023	ML 42 BAR STOOL, BLACK STAINED BEECH / BRASS	7.436,00
BL41043	ML 42 BAR STOOL, SOAP TREATED OAK / STAINLESS STEEL	7.036,00
BL41123	ML 42 BAR STOOL, SOAP TREATED OAK / BRASS	10.316,00
BL41413	ML 42 BAR STOOL, BROWN OILED OAK / STAINLESS STEEL	10.316,00
BL41423	ML 42 BAR STOOL, BROWN OILED OAK / BRASS	10.316,00

TECHNICAL SPECIFICATIONS

COLLI	WEIGHT	TEST	CERTIFICATIONS
1	8 kg / 17,64 lb	N / A	N / A





AFTERROOM BENCH

Designed by *Afteroom*

[BACK TO START](#)

CORE

Bench with powder coated steel base with padded oblong seat in leather and circular black tabletop in Nero Marquina marble.



PRODUCT OPTIONS

Seat



WITH UPHOLSTERY

Powder coated steel base



BLACK STEEL

Tabletop



NERO MARQUINA MARBLE

Spec options

Available in fabrics from our upholstery programme. Standard lead times apply.


For custom upholstery, please refer to the guiding textile/leather consumption:
COM: 0,59 m / 0,649 yds
COL: 0,88 m2 / 9,4776 sqft

Prices excl. custom upholstery are equal to Price Category 1 Textile or Leather. Contact Sales support for approval of custom upholstery and to place your order.

The above textile consumption is only valid for textile rolls with a width equal to or greater than 140 cm. For smaller textile rolls, please contact Sales Support for guidance. For textile with pattern, please expect a higher usage for correct pattern fitting. Please contact Sales Support for guidance.

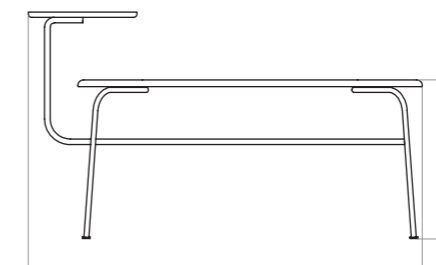
QUICK SHIP OPTIONS — PRICES IN SEK

Selected combinations up to 4 weeks delivery time.

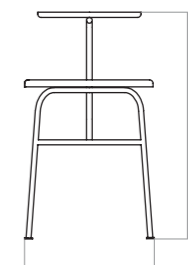
SKU	VARIANT	EXCL. VAT
<i>Seat with upholstery — Powder coated steel base — Black steel</i>		
8870505-000V00ZZ	 AFTERROOM BENCH, BLACK STEEL / DUNES COGNAC 21000	12.236,00

TECHNICAL SPECIFICATIONS

COLLI	WEIGHT	TEST	CERTIFICATIONS
1	16 kg / 35,3 lb	N / A	TSCA title VI compliant Declare.



W: 116 cm / 45,7"



D: 38 cm / 14,9"



AFTERROOM BENCH
Designed by *Afteroom*


[BACK TO START](#)

CORE

SPEC OPTIONS — PRICES IN SEK
6–8 weeks delivery time

SKU	VARIANT	EXCL. VAT
<i>Textile — Seat with upholstery — Powder coated steel base — Black steel — Tabletop — Marquina marble</i>		
8870520	<i>Price Category 0</i> Audo Bouclé, Audo	7.516,00
8870501	<i>Price Category 1</i> Barnum Bouclé, Audo / Champion, JAB / Illusion, Nevotex / Hot Madison, JAB / Maple, Kvadrat / Remix 3, Kvadrat / Re-wool, Kvadrat	8.956,00
8870502	<i>Price Category 2</i> Canvas 2, Kvadrat / Clay, Kvadrat, Sahco / Colline 2, Kvadrat / Fiord 2, Kvadrat / Hallingdal 65, Kvadrat / Moss, Kvadrat, Sahco / Reflect, Kvadrat / Savanna, Kvadrat / Steelcut 2, Kvadrat / Steelcut Trio 3, Kvadrat	10.636,00
8870503	<i>Price Category 3</i> Arctic, JAB / Safire, Kvadrat, Sahco / Vidar 4, Kvadrat, Sahco / Zero, Kvadrat, Sahco	12.156,00
8870508	<i>Price Category 4</i> Cabanon Soft, Designers Guild / DoppioPanama, Dedar / Grand Mohair, Danish Art Weaving / Lupo, Dedar	13.036,00
<i>Leather seat — Seat with upholstery — Powder coated steel base — Black steel — Tabletop — Marquina marble</i>		
8870504	<i>Price Category 1</i> Dakar, Nevotex / Envy, Sørensen Leather / Ultra, Sørensen Leather	10.636,00
8870505	<i>Price Category 2</i> Dunes, Sørensen Leather / Nuance, Sørensen Leather	12.236,00
8870506	<i>Price Category 3</i> Royal Nubuck, Sørensen Leather	13.916,00
8870507	<i>Price Category 4</i> Elegance, Sørensen Leather	18.636,00


 Androgyné Dining Table →


 Androgyné Dining Table, Rectangular 210 × 109 →

 Androgyné Dining Table, Rectangular 278 × 109 →

 Harbour Column Dining Table →

 Harbour Column Dining Table, Star Base →

 Snaregade Dining Table, Oval →

 Snaregade Dining Table, Ø120 →

 Snaregade Dining Table, Ø138 →

 Snaregade Dining Table, Rectangular →



ANDROGYNE DINING TABLE

Designed by *Danielle Siggerud*

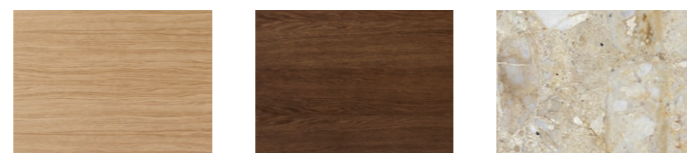
[BACK TO START](#)

CORE

Dining table with natural or dark stained solid oak base. Tabletop in matching colour (Ø120, Ø150) or Kunis Breccia stone (Ø120).

PRODUCT OPTIONS

Tabletop



NATURAL OAK

DARK STAINED OAK

KUNIS BRECCIA
STONE

Oak base



NATURAL OAK

DARK STAINED OAK



TECHNICAL SPECIFICATIONS

COLLI

1

WEIGHT

Wood tabletop
Ø120: 25 kg / 55,1 lb
Ø150: 35 kg / 77,2 lb

Kunis Breccia tabletop
Ø120: 90 kg / 198,4 lb

Wood base
15 kg / 33,1 lb

TEST

N / A

CERTIFICATIONS

TSCA title VI compliant

Declare.



ANDROGYNE DINING TABLE
Designed by *Danielle Siggerud*

[BACK TO START](#)

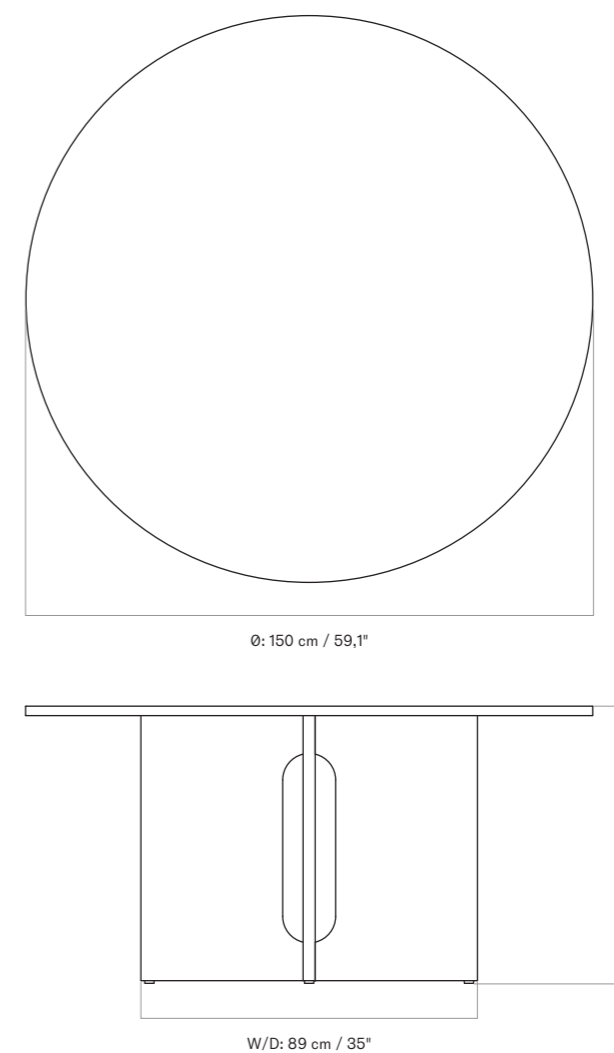
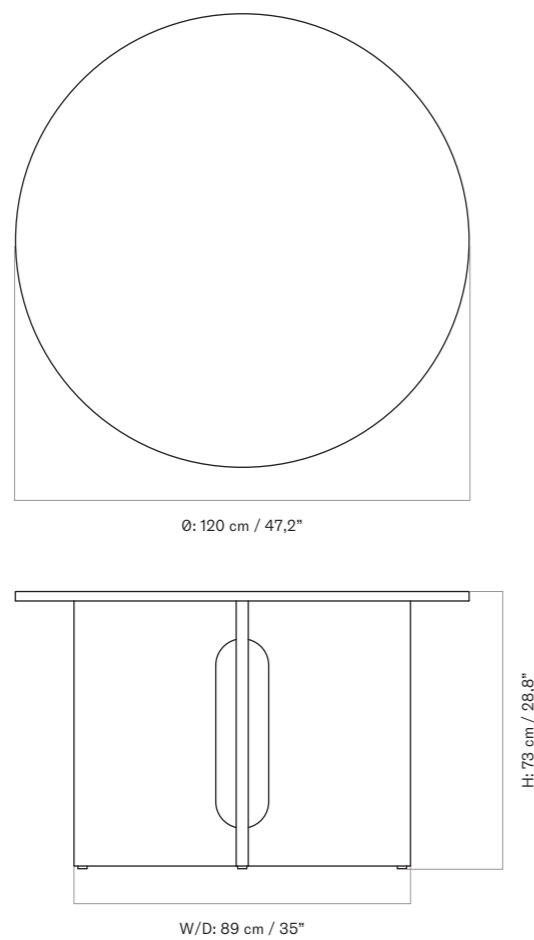
CORE

TECHNICAL SPECIFICATIONS

TECHNICAL SPECIFICATIONS





Androgyne Dining table, Ø120

Androgyne Dining table, Ø150





CORE

STOCK OPTIONS — PRICES IN SEK

SKU	VARIANT	EXCL. VAT
1183039	 ANDROGYNE DINING TABLE, Ø120, NATURAL OAK / NATURAL OAK	28.152,00
1183849	 ANDROGYNE DINING TABLE, Ø120, DARK STAINED OAK / DARK STAINED OAK	28.152,00
1183019	 ANDROGYNE DINING TABLE, Ø120, NATURAL OAK / SAND STONE	32.712,00
1183819	 ANDROGYNE DINING TABLE, Ø120, DARK STAINED OAK / SAND STONE	32.712,00

SPEC OPTIONS — PRICES IN SEK
6–8 weeks delivery time

SKU	VARIANT	EXCL. VAT
1182039	 ANDROGYNE DINING TABLE, Ø150, NATURAL OAK / NATURAL OAK	36.232,00
1182849	 ANDROGYNE DINING TABLE, Ø150, DARK STAINED OAK / DARK STAINED OAK	36.232,00

ANDROGYNE DINING TABLE, material *natural oak / Kunis Breccia*, designer *Danielle Siggerud*
 READY DINING CHAIR, SEAT UPHOLSTERED, material *natural oak / Hallingdal 65 200*,
 designer *Matias Møllenbach & Nick Rasmussen*
 TRIPTYCH BOWL, size *Ø30 Mocha*, designer *Mentze Ottenstein*
 AER VASE, size *H19*, designer *Gabriel Tan*





ANDROGYNE DINING TABLE, RECTANGULAR 210 × 109
Designed by *Danielle Siggerud*

[BACK TO START](#)

CORE

The Androgyne Collection pairs natural materials and sculptural forms to striking effect, taking its name from its blend of the masculine and feminine. A bold, confident take on a table, the rectangular iteration amplifies the dimensions of the collection's dining table to grander proportions. The architect-designed piece, crafted with a wood veneer top and base, serves as a community-style table, with room to seat from 8-10 individuals. Available in 210 cm and 278 cm, its artistic silhouette balances function and beauty.



PRODUCT OPTIONS

Tabletop



NATURAL OAK



DARK STAINED OAK

Oak base



NATURAL OAK



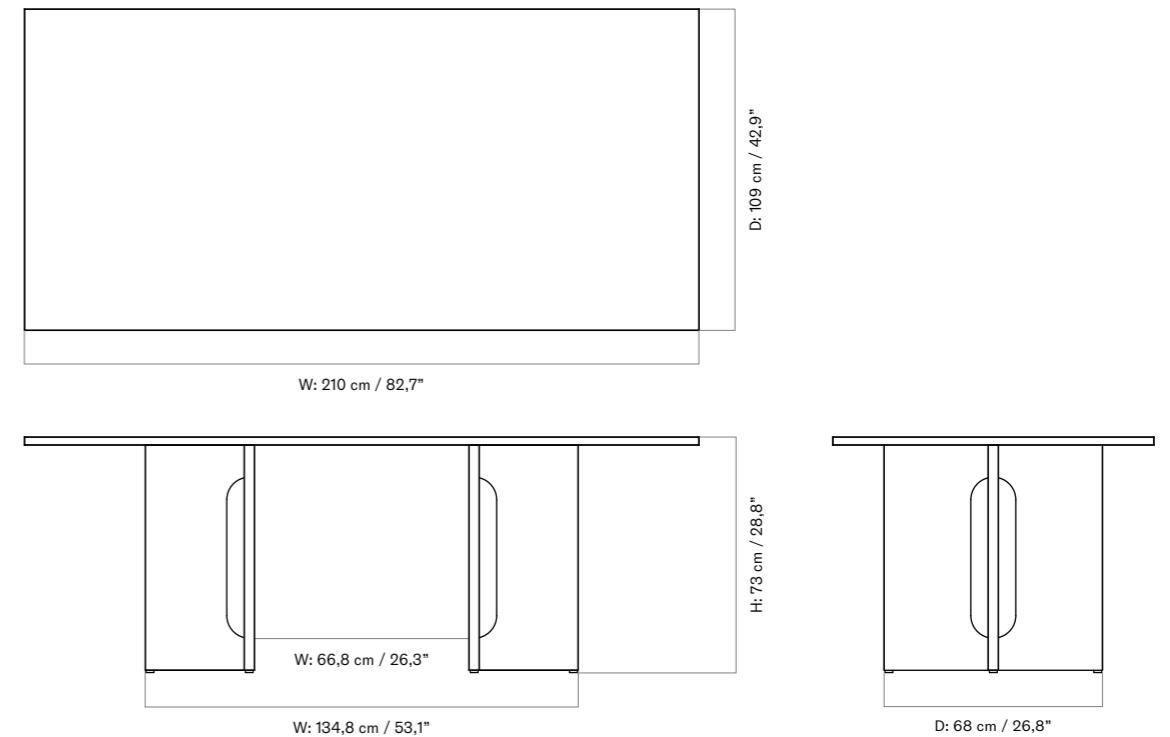
DARK STAINED OAK

STOCK OPTIONS — PRICES IN SEK

SKU	VARIANT	EXCL. VAT
1185019	ANDROGYNE DINING TABLE, RECTANGULAR, NATURAL OAK, 210 × 109	31.672,00
1185849	ANDROGYNE DINING TABLE, RECTANGULAR, DARK STAINED OAK, 210 × 109	31.512,00

TECHNICAL SPECIFICATIONS

COLLI	WEIGHT	TEST	CERTIFICATIONS
1	<i>Tabletop</i> 54,5 kg / 120,2 lb <i>Base</i> 27,5 kg / 60,6 lb	N / A	TSCA title VI compliant Declare.





ANDROGYNE DINING TABLE, RECTANGULAR 278 × 109
Designed by *Danielle Siggerud*

[BACK TO START](#)

CORE

The Androgyne Collection pairs natural materials and sculptural forms to striking effect, taking its name from its blend of the masculine and feminine. A bold, confident take on a table, the rectangular iteration amplifies the dimensions of the collection's dining table to grander proportions. The architect-designed piece, crafted with a wood veneer top and base, serves as a community-style table, with room to seat from 8-10 individuals. Available in 210 cm and 278 cm, its artistic silhouette balances function and beauty.



PRODUCT OPTIONS

Tabletop



NATURAL OAK

DARK STAINED OAK


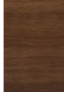
Oak base



NATURAL OAK

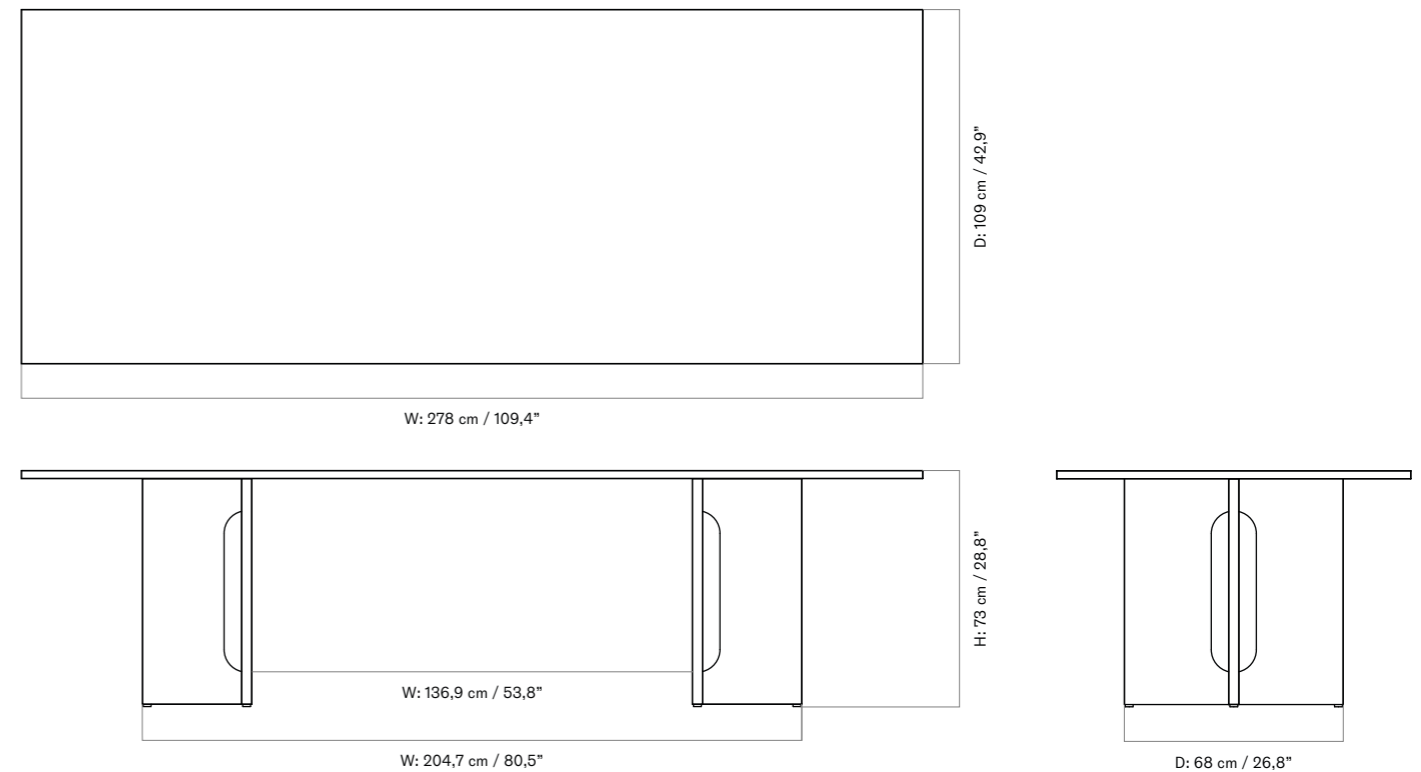
DARK STAINED OAK

STOCK OPTIONS — PRICES IN SEK

SKU	VARIANT	EXCL. VAT
1186019	 ANDROGYNE DINING TABLE, RECTANGULAR, NATURAL OAK, 278 × 109	36.232,00
1186849	 ANDROGYNE DINING TABLE, RECTANGULAR, DARK STAINED OAK, 278 × 109	36.792,00

TECHNICAL SPECIFICATIONS

COLLI	WEIGHT	TEST	CERTIFICATIONS
1	<i>Tabletop</i> 75 kg / 165,3 lb <i>Base</i> 27,5 kg / 60,6 lb	N / A	TSCA title VI compliant Declare.



CORE

PRODUCT OPTIONS

Tabletop



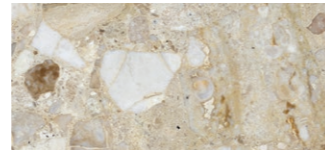
BLACK PAINTED OAK



CHARCOAL LINOLEUM



ESTREMOZ MARBLE



KUNIS BRECCIA STONE

Base



BLACK POWDER COATED
ALUMINIUM & STEEL



Black powder coated aluminium and steel base with round or rectangular tabletop in Kunis Breccia stone, Estremoz marble, black painted oak or linoleum.

TECHNICAL SPECIFICATIONS

COLLI

1

WEIGHT

Tabletop oak or linoleum
70 × 60: 8,5 kg / 18,7 lb
Ø60: 8 kg / 17,6 lb
Ø80: 9 kg / 19,8 lb

Tabletop marble or stone
70 × 60: 36 kg / 79,4 lb
Ø60: 28 kg / 61,7 lb
Ø80: 52,8 kg / 116,4 lb
Ø105: 80 kg / 176,4 lb

Topplate
6,4 kg / 14,1 lb

Column
2,4 kg / 5,3 lb

Base
Ø50: 12,9 kg / 28,4 lb
Ø70: 25,3 kg / 55,8 lb

TEST

EN 15372:2016, L2

CERTIFICATIONS

TSCA title VI compliant

TECHNICAL SPECIFICATIONS

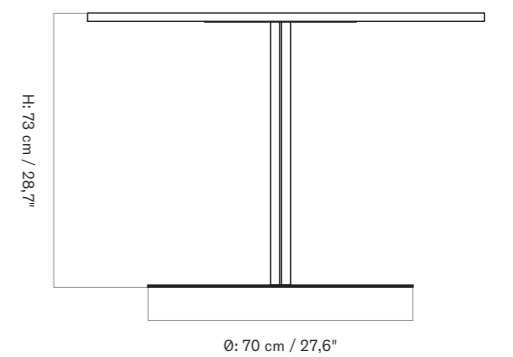
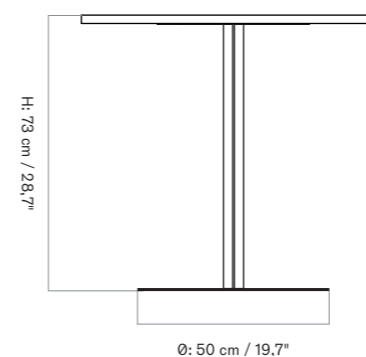
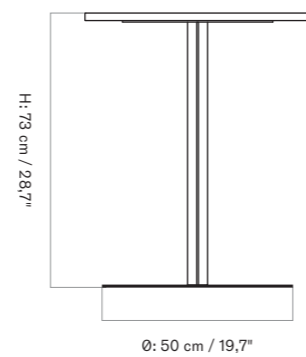
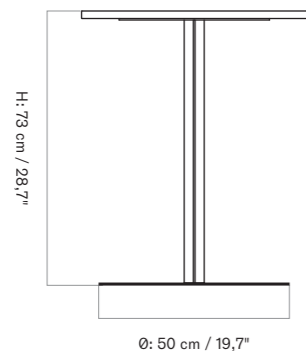
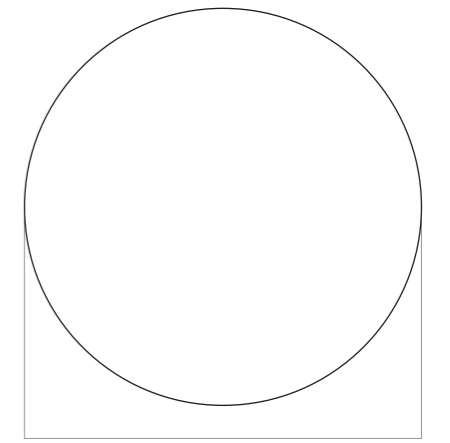
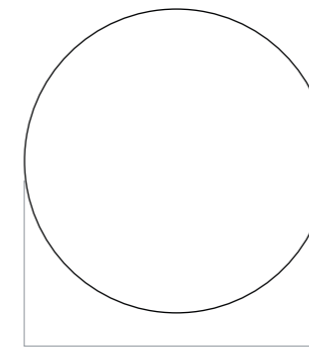
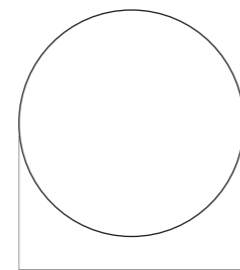
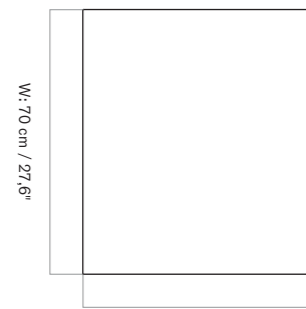
TECHNICAL SPECIFICATIONS

Harbour column dining table, 70 × 60

Harbour column dining table, Ø60

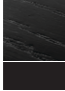




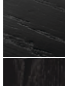

Harbour column dining table, Ø80

Harbour column dining table, Ø105

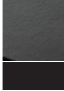
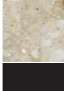
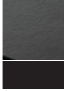

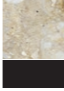
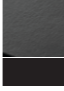



CORE

STOCK OPTIONS — PRICES IN SEK

SKU	VARIANT	EXCL. VAT
<i>Harbour Column Dining Table — Ø60</i>		
9317539	 HARBOUR COLUMN DINING TABLE, Ø60, BLACK ALUMINIUM & STEEL / BLACK OAK	5.084,00
9317659	 HARBOUR COLUMN DINING TABLE, Ø60, BLACK ALUMINIUM & STEEL / ESTREMOZ MARBLE	7.484,00
<i>Harbour Column Dining Table — Ø80</i>		
9305539	 HARBOUR COLUMN DINING TABLE, Ø80, BLACK ALUMINIUM & STEEL / BLACK OAK	6.524,00
9305659	 HARBOUR COLUMN DINING TABLE, Ø80 CM, BLACK ALUMINIUM & STEEL / ESTREMOZ MARBLE	8.924,00
<i>Harbour Column Dining Table — Ø105</i>		
9316659	 HARBOUR COLUMN DINING TABLE, Ø105, BLACK ALUMINIUM & STEEL / ESTREMOZ MARBLE	12.652,00
<i>Harbour Column Dining Table — 70 × 60</i>		
9308539	 HARBOUR COLUMN DINING TABLE, 70 × 60, BLACK ALUMINIUM & STEEL / BLACK OAK	5.084,00
9308659	 HARBOUR COLUMN DINING TABLE, 70 × 60, BLACK ALUMINIUM & STEEL / ESTREMOZ MARBLE	7.484,00

SPEC OPTIONS — PRICES IN SEK
6–8 weeks delivery time

SKU	VARIANT	EXCL. VAT
<i>Harbour Column Dining Table — Ø60</i>		
9317149	 HARBOUR COLUMN DINING TABLE, Ø60, BLACK ALUMINIUM & STEEL / CHARCOAL LINOLEUM	5.084,00
9317139	 HARBOUR COLUMN DINING TABLE, Ø60 CM, BLACK ALUMINIUM & STEEL / KUNIS BRECCIA STONE	9.164,00
<i>Harbour Column Dining Table — Ø80</i>		
9305149	 HARBOUR COLUMN DINING TABLE, Ø80, BLACK ALUMINIUM & STEEL / CHARCOAL LINOLEUM	6.524,00
9305139	 HARBOUR COLUMN DINING TABLE, Ø80 CM, BLACK ALUMINIUM & STEEL / KUNIS BRECCIA STONE	10.604,00
<i>Harbour Column Dining Table — Ø105</i>		
9316139	 HARBOUR COLUMN DINING TABLE, Ø105, BLACK ALUMINIUM & STEEL / KUNIS BRECCIA STONE	14.092,00
<i>Harbour Column Dining Table — 70 × 60</i>		
9308149	 HARBOUR COLUMN DINING TABLE, 70 × 60, BLACK ALUMINIUM & STEEL / CHARCOAL LINOLEUM	5.084,00
9308139	 HARBOUR COLUMN DINING TABLE, 70 × 60, BLACK ALUMINIUM & STEEL / KUNIS BRECCIA STONE	9.804,00



HARBOUR COLUMN DINING TABLE, STAR BASE
Designed by *Norm Architects*

[BACK TO START](#)

CORE

Star-shaped, black powder coated aluminium and steel base with round or rectangular tabletop in Kunis Breccia stone, Estremoz marble, black painted oak or linoleum.



PRODUCT OPTIONS

Tabletop



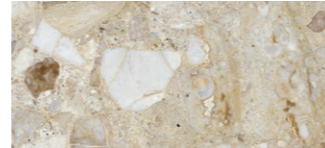
BLACK PAINTED OAK



CHARCOAL LINOLEUM



ESTREMOZ MARBLE



KUNIS BRECCIA STONE

Base



BLACK POWDER COATED
ALUMINIUM & STEEL

TECHNICAL SPECIFICATIONS

COLLI

1

WEIGHT

Tabletop oak or linoleum
70 × 60: 8,5 kg / 18,7 lb
Ø60: 8 kg / 17,6 lb
Ø80: 9 kg / 19,8 lb

Tabletop marble or stone
70 × 60: 36 kg / 79,4 lb
Ø60: 28 kg / 61,7 lb
Ø80: 52,8 kg / 116,4 lb

Topplate
6,4 kg / 14,1 lb

Column
1,8 kg / 4 lb

Star base
3,5 kg / 7,7 lb

TEST

EN 15372:2016, L2

CERTIFICATIONS

TSCA title VI compliant



HARBOUR COLUMN DINING TABLE, STAR BASE
Designed by *Norm Architects*

BACK TO START

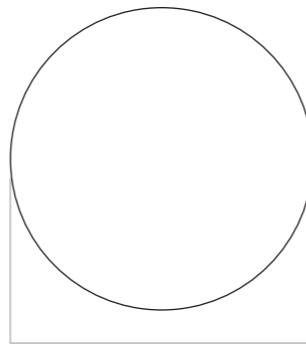
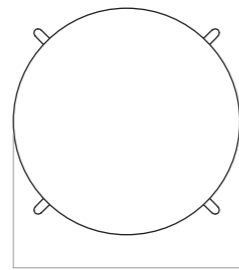
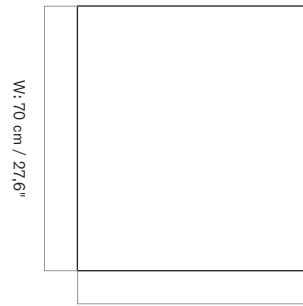
CORE

TECHNICAL SPECIFICATIONS

70 × 60

Ø60

Ø80

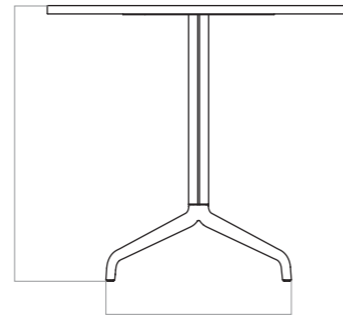
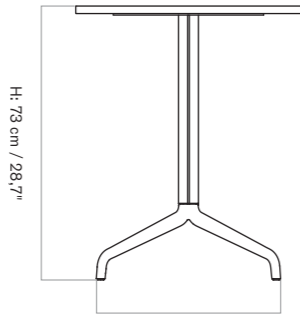
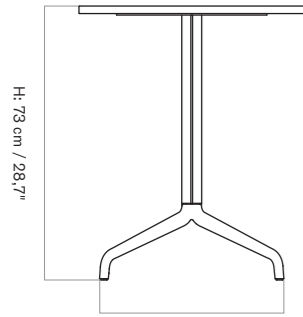


W: 70 cm / 27,6"

D: 60 cm / 23,6"

Ø: 60 cm / 23,6"

Ø: 80 cm / 31,5"



H: 73 cm / 28,7"

H: 73 cm / 28,7"

H: 73 cm / 28,7"

D/W: 49 cm / 19,3"

D/W: 49 cm / 19,3"

D/W: 49 cm / 19,3"





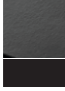
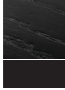

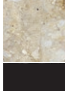


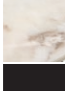
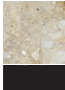
HARBOUR COLUMN DINING TABLE, STAR BASE
Designed by *Norm Architects*




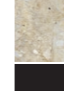
[BACK TO START](#)

CORE

SPEC OPTIONS — PRICES IN SEK
6–8 weeks delivery time

SPEC OPTIONS — PRICES IN SEK
6–8 weeks delivery time

SKU	VARIANT	EXCL. VAT
<i>Harbour Column Dining Table — Star base — Ø60</i>		
9326149	 HARBOUR COLUMN DINING TABLE, STAR BASE, Ø60, BLACK ALUMINIUM & STEEL / CHARCOAL LINOLEUM	7.056,00
9326539	 HARBOUR COLUMN DINING TABLE, STAR BASE, Ø60, BLACK ALUMINIUM & STEEL / BLACK OAK	7.056,00
9326659	 HARBOUR COLUMN DINING TABLE, STAR BASE, Ø60, BLACK ALUMINIUM & STEEL / ESTREMOZ MARBLE	9.456,00
9326139	 HARBOUR COLUMN DINING TABLE, STAR BASE, Ø60 CM, BLACK ALUMINIUM & STEEL / KUNIS BRECCIA STONE	11.136,00
<i>Harbour Column Dining Table — Star base — Ø80</i>		
9327149	 HARBOUR COLUMN DINING TABLE, STAR BASE, Ø80, BLACK ALUMINIUM & STEEL / CHARCOAL LINOLEUM	8.496,00
9327539	 HARBOUR COLUMN DINING TABLE, STAR BASE, Ø80, BLACK ALUMINIUM & STEEL / BLACK OAK	8.496,00
9327659	 HARBOUR COLUMN DINING TABLE, STAR BASE, Ø80, BLACK ALUMINIUM & STEEL / ESTREMOZ MARBLE	10.896,00
9327139	 HARBOUR COLUMN DINING TABLE, STAR BASE, Ø80, BLACK ALUMINIUM & STEEL / KUNIS BRECCIA STONE	12.576,00

SKU	VARIANT	EXCL. VAT
<i>Harbour Column Dining Table — Star base — 70 × 60</i>		
9325149	 HARBOUR COLUMN DINING TABLE, STAR BASE, 70 × 60, BLACK ALUMINIUM & STEEL / CHARCOAL LINOLEUM	7.056,00
9325539	 HARBOUR COLUMN DINING TABLE, STAR BASE, 70 × 60, BLACK ALUMINIUM & STEEL / BLACK OAK	7.056,00
9325659	 HARBOUR COLUMN DINING TABLE, STAR BASE, 70 × 60, BLACK ALUMINIUM & STEEL / ESTREMOZ MARBLE	9.456,00
9325139	 HARBOUR COLUMN DINING TABLE, STAR BASE, 70 × 60, BLACK ALUMINIUM & STEEL / KUNIS BRECCIA STONE	11.776,00

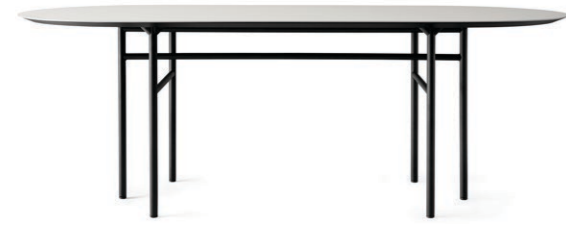


SNAREGADE DINING TABLE, OVAL
Designed by *Norm Architects*

[BACK TO START](#)

CORE

Oval dining table, with a tabletop in painted oak veneer or dark stained oak set on a powder coated steel base.



PRODUCT OPTIONS

Tabletop



BLACK OAK



DARK STAINED OAK

Powder coated steel base



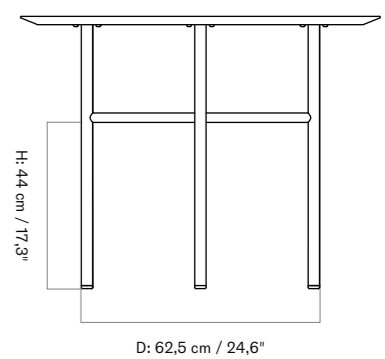
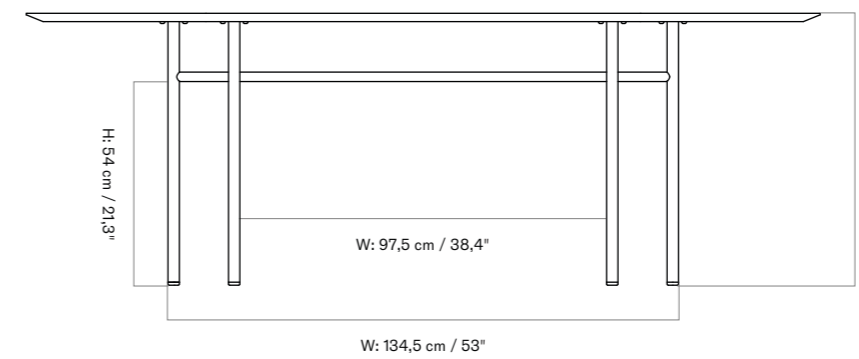
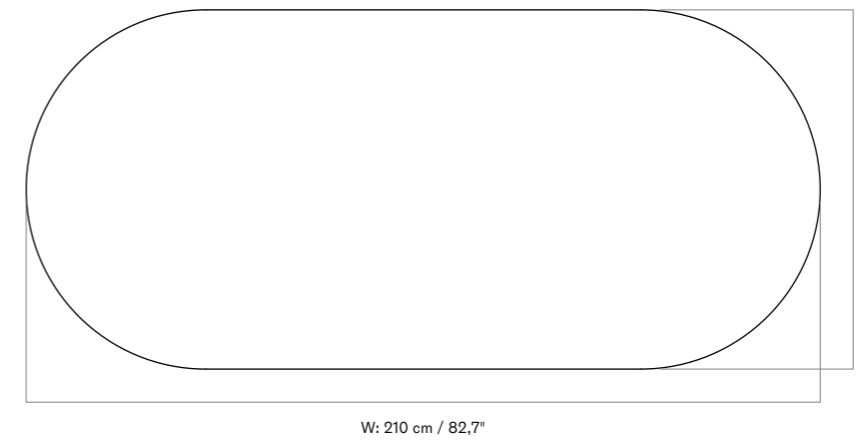
BLACK STEEL

STOCK OPTIONS — PRICES IN SEK

SKU	VARIANT	EXCL. VAT
1151539	SNAREGADE OVAL, BLACK STEEL / BLACK OAK	14.472,00
1151849	SNAREGADE OVAL, BLACK STEEL / DARK STAINED OAK	15.672,00

TECHNICAL SPECIFICATIONS

COLLI	WEIGHT	TEST	CERTIFICATIONS
1	<p><i>Tabletop</i> 37,5 kg / 82,7 lb</p> <p><i>Base</i> 16,9 kg / 37,3 lb</p>	N / A	TSCA title VI compliant Crafted from FSC certified oak veneer



CORE

Round dining table with a tabletop in painted oak veneer or dark stained oak set on a powder coated steel base.

PRODUCT OPTIONS

Tabletop



BLACK OAK



DARK STAINED OAK

Powder coated steel base



BLACK STEEL



TECHNICAL SPECIFICATIONS

COLLI

1

WEIGHT

Tabletop
34,3 kg / 75,6 lb

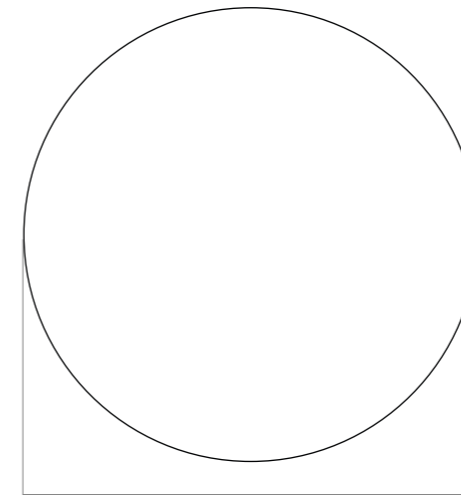
Base
5,9 kg / 13 lb

TEST

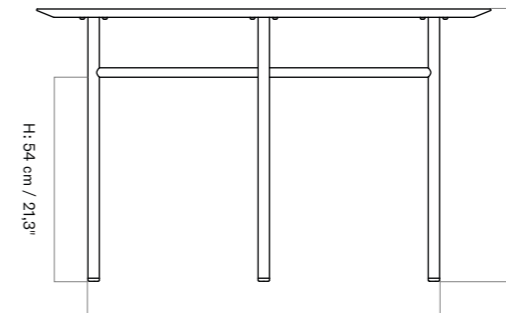
N / A

CERTIFICATIONS

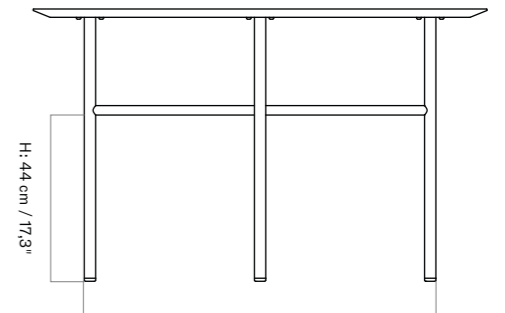
TSCA title VI compliant
Crafted from FSC
certified oak veneer



Ø: 120 cm / 47,2"




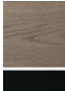
W: 90 cm / 35,4"



D: 90 cm / 35,4"

CORE

STOCK OPTIONS — PRICES IN SEK

SKU	VARIANT	EXCL. VAT
1153539	 SNAREGADE ROUND, Ø120, BLACK STEEL / BLACK OAK	11.992,00
1153849	 SNAREGADE ROUND, Ø120, BLACK STEEL / DARK STAINED OAK	14.392,00



SNAREGADE DINING TABLE ROUND size Ø120 cm, material *black / dark stained oak*, designer *Norm Architects*
 HARBOUR DINING CHAIR, STEEL BASE, UPHOLSTERED, material *black / Dakar 0842*, designer *Norm Architects*
 HASHIRA PENDANT, CLUSTER, size Ø32 / material *white*, designer *Norm Architects*
 COLUMN TABLE LAMP, PORTABLE, material *bronze*, designer *Norm Architects*

CORE

Round dining table with a tabletop in painted oak veneer or dark stained oak set on a powder coated steel base.

PRODUCT OPTIONS

Tabletop



BLACK OAK



DARK STAINED OAK

Powder coated steel base



BLACK STEEL



TECHNICAL SPECIFICATIONS

COLLI

1

WEIGHT

Tabletop
36 kg / 79,4 lb

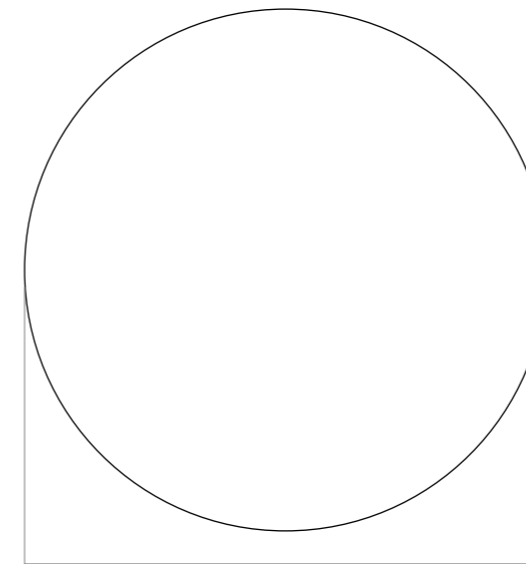
Base
5,9 kg / 13 lb

TEST

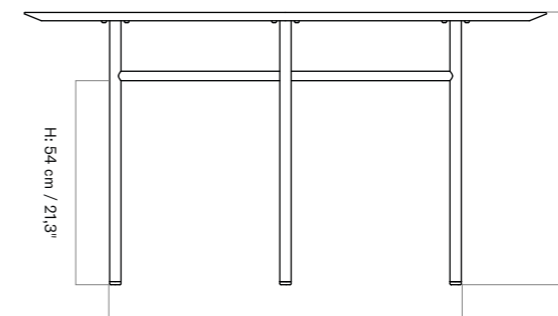
N / A

CERTIFICATIONS

TSCA title VI compliant
Crafted from FSC
certified oak veneer

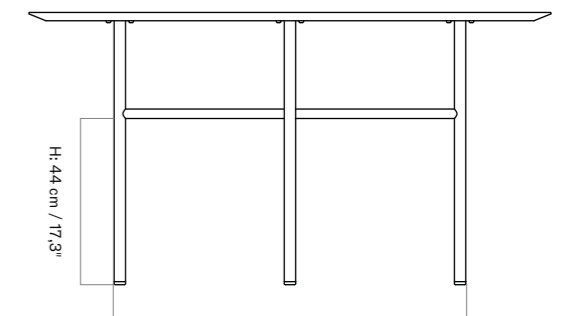


Ø: 138 cm / 54,3"



H: 73 cm / 28,74"

W: 90 cm / 35,4"


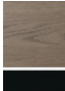


H: 44 cm / 17,3"

D: 90 cm / 35,4"

CORE

STOCK OPTIONS — PRICES IN SEK

SKU	VARIANT	EXCL. VAT
1152539	 SNAREGADE ROUND, Ø138, BLACK STEEL / BLACK OAK	14.392,00
1152849	 SNAREGADE ROUND, Ø138, BLACK STEEL / DARK STAINED OAK	17.352,00



SNAREGADE DINING TABLE, size Ø138, material *black steel / black oak*, designer *Norm Architects*
 NNDW, material *dark glazed*, designer *Norm Architects*
 AFTEROOM DINING CHAIR PLUS, material *black steel / Champion 020*, designer *Afteroom*

CORE

Rectangular dining table with a tabletop in painted oak veneer or dark stained oak set on a powder coated steel base.

PRODUCT OPTIONS

Tabletop



BLACK OAK



DARK STAINED OAK

Powder coated steel base



BLACK STEEL



TECHNICAL SPECIFICATIONS

COLLI

1

WEIGHT

Tabletop
34,2 kg / 75,4 lb

Base
16,9 kg / 37,3 lb

TEST

EN 15372:2016, L2

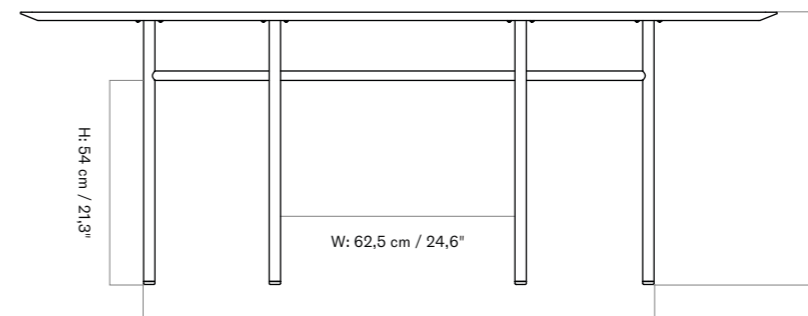
CERTIFICATIONS

TSCA title VI compliant
Crafted from FSC
certified oak veneer



W: 200 cm / 78,7"

D: 90 cm / 35,4"

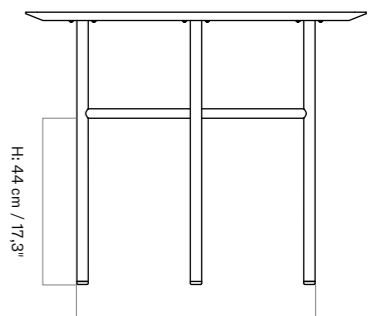


W: 134,5 cm / 53"

H: 54 cm / 21,3"

W: 62,5 cm / 24,6"

H: 73 cm / 28,74"



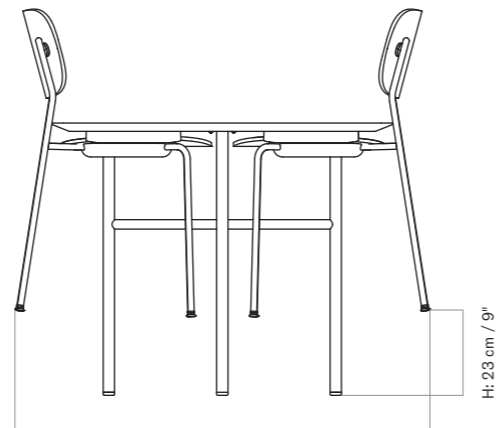
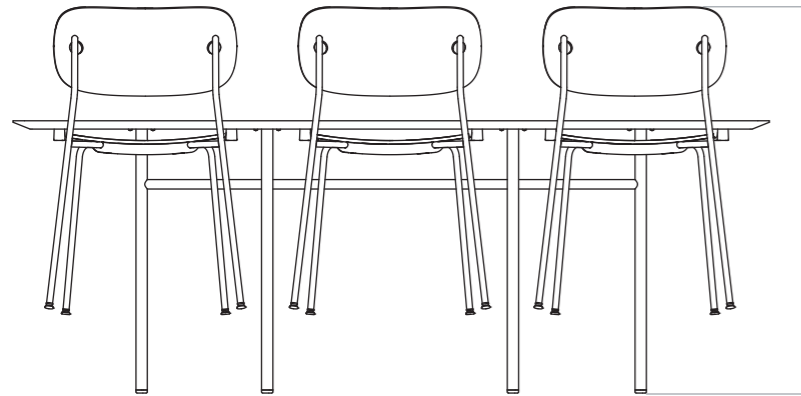
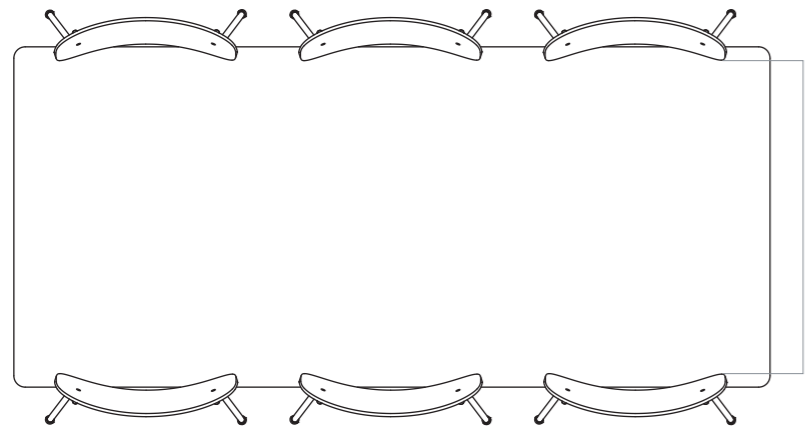
D: 62,5 cm / 24,6"

H: 44 cm / 17,3"

CORE

TECHNICAL SPECIFICATIONS

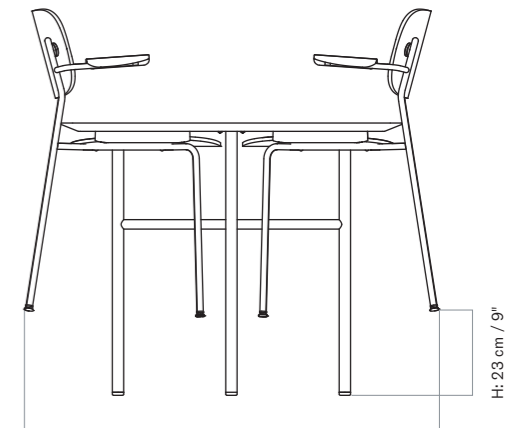
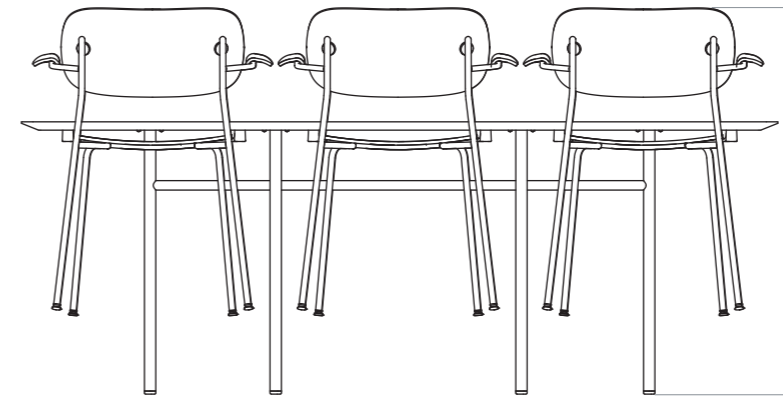
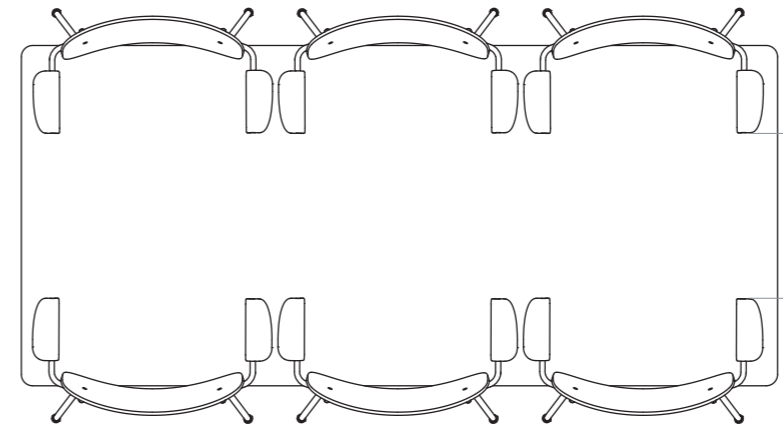
Snaregade Dining Table, Rectangular with seat runner and Co Dining Chair.



D: 110 cm / 43,5"

TECHNICAL SPECIFICATIONS


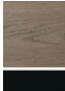
Snaregade Dining Table, Rectangular with seat runner and Co Dining Chair w/Armrest.



D: 110 cm / 43,5"

CORE

STOCK OPTIONS — PRICES IN SEK

SKU	VARIANT	EXCL. VAT
1150539	 SNAREGADE RECTANGULAR, BLACK STEEL / BLACK OAK	14.472,00
1150849	 SNAREGADE RECTANGULAR, BLACK STEEL / DARK STAINED OAK	15.672,00



HASHIRA PENDANT LAMP, CLUSTER, material *raw*, designer *Norm Architects*
SNAREGADE DINING TABLE, RECTANGULAR, material *black steel / black oak*, designer *Norm Architects*
HARBOUR DINING CHAIR, material *dark stained oak / Eneide*, designer *Norm Architects*
TORSO TABLE LAMP, 57, material *Limited / Babelia Plage De Coquillages*, designer *Kroyer-Saetter-Lassen*

SEAT RUNNER SET
Designed by *Norm Architects*

CORE

Seat runner - for mounting Co Dining Chairs under the tabletop. The Seat runner is not included in any Snaregade table, and must be purchased separately. ONLY fits with Snaregade Rectangular Dining & Conference Table.



STOCK OPTIONS — PRICES IN SEK

SKU	VARIANT	EXCL. VAT
1131539	SEAT RUNNER SET	80,00

TECHNICAL SPECIFICATIONS

COLLI	WEIGHT	TEST	CERTIFICATIONS
1	0,3 kg / 0,7 lb	N / A	N / A



 Column Counter Table →

 Column Bar Table →

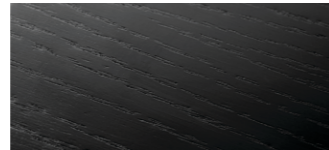
 Column Counter Table, Star Base →

 Column Bar Table, Star Base →

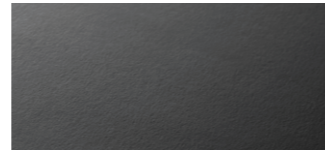
CORE

Black powder coated aluminium and steel base with round or rectangular tabletop in Kunis breccia stone, Estremoz marble, Black painted oak or linoleum.

PRODUCT OPTIONS

Tabletop

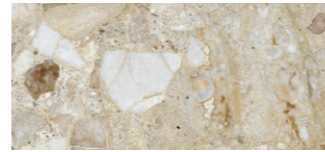
BLACK PAINTED OAK



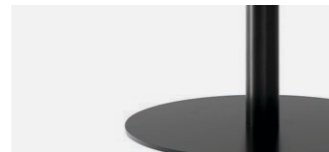
CHARCOAL LINOLEUM



ESTREMOZ MARBLE



KUNIS BRECCIA STONE

BaseBLACK POWDER COATED
ALUMINIUM & STEEL

TECHNICAL SPECIFICATIONS

COLLI

1

WEIGHT

Tabletop oak or linoleum
Ø60: 8 kg / 17,6 lb
Ø80: 9 kg / 19,8 lb
70 × 60: 8,5 kg / 18,7 lb

Tabletop marble or stone
Ø60: 28 kg / 61,7 lb
Ø80: 52,8 kg / 116,4 lb
70 × 60: 36 kg / 79,4 lb

Topplate
6,4 kg / 14,1 lb

Column counter
3 kg / 6,6 lb

Base
Ø50: 12,9 kg / 28,4 lb

TEST

EN 15372:2016, L2

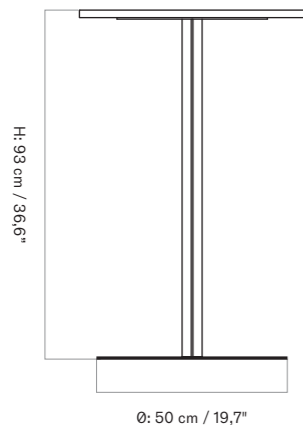
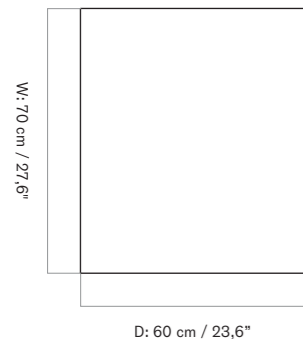
CERTIFICATIONS

TSCA title VI compliant

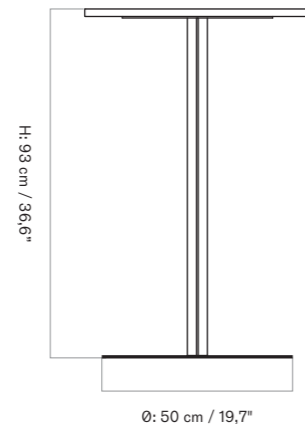
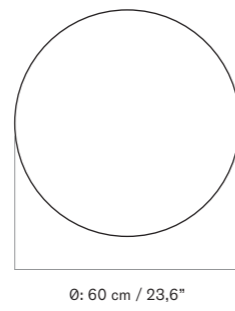
CORE

TECHNICAL SPECIFICATION

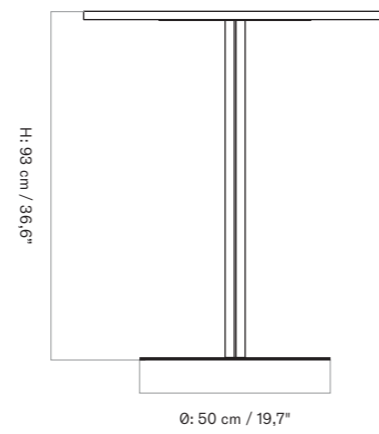
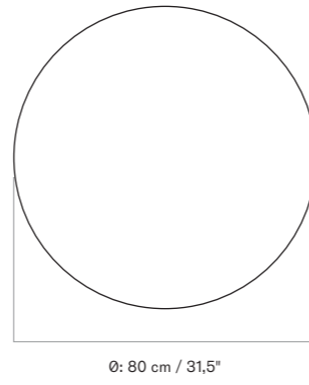
70 × 60



Ø60

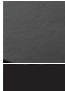
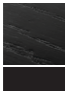




Ø80

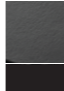
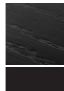


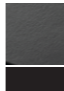
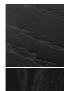




CORE

SPEC OPTIONS — PRICES IN SEK
Selected combinations 6–8 weeks delivery time.

SKU	VARIANT	EXCL. VAT
<i>Harbour Column Counter Table — 70 × 60</i>		
9309149	 HARBOUR COLUMN COUNTER TABLE, 70 × 60, BLACK ALUMINIUM & STEEL / CHARCOAL LINOLEUM	5.568,00
9309539	 HARBOUR COLUMN COUNTER TABLE, 70 × 60, BLACK ALUMINIUM & STEEL / BLACK OAK	5.568,00
9309659	 HARBOUR COLUMN COUNTER TABLE, 70 × 60, BLACK ALUMINIUM & STEEL / ESTREMOZ MARBLE	7.968,00
9309139	 HARBOUR COLUMN COUNTER TABLE, 70 × 60, BLACK ALUMINIUM & STEEL / KUNIS BRECCIA STONE	10.288,00

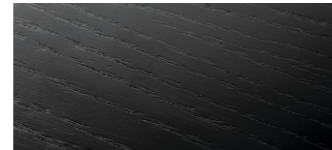
SPEC OPTIONS — PRICES IN SEK
Selected combinations 6–8 weeks delivery time.

SKU	VARIANT	EXCL. VAT
<i>Harbour Column Bar Table — Ø60</i>		
9318149	 HARBOUR COLUMN COUNTER TABLE, Ø60, BLACK ALUMINIUM & STEEL / CHARCOAL LINOLEUM	5.568,00
9318539	 HARBOUR COLUMN COUNTER TABLE, Ø60, BLACK ALUMINIUM & STEEL / BLACK OAK	5.568,00
9318659	 HARBOUR COLUMN COUNTER TABLE, Ø60, BLACK ALUMINIUM & STEEL / ESTREMOZ MARBLE	7.968,00
9318139	 HARBOUR COLUMN COUNTER TABLE, Ø60, BLACK ALUMINIUM & STEEL / KUNIS BRECCIA	9.648,00
<i>Harbour Column Bar Table — Ø80</i>		
9306149	 HARBOUR COLUMN COUNTER TABLE, Ø80, BLACK ALUMINIUM & STEEL / CHARCOAL LINOLEUM	7.008,00
9306539	 HARBOUR COLUMN COUNTER TABLE, Ø80, BLACK ALUMINIUM & STEEL / BLACK OAK	7.008,00
9306659	 HARBOUR COLUMN COUNTER TABLE, Ø80, BLACK ALUMINIUM & STEEL / ESTREMOZ MARBLE	9.408,00
9306139	 HARBOUR COLUMN COUNTER TABLE, Ø80, BLACK ALUMINIUM & STEEL / KUNIS BRECCIA STONE	11.088,00

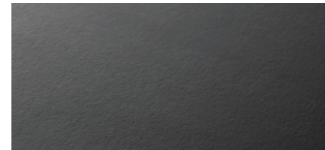
CORE

Black powder coated aluminium and steel base with round or rectangular tabletop in Kunis breccia stone, Estremoz marble, Black painted oak or linoleum.

PRODUCT OPTIONS

Tabletop

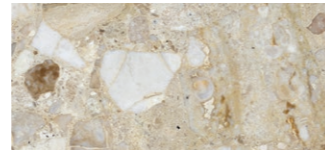
BLACK PAINTED OAK



CHARCOAL LINOLEUM



ESTREMOZ MARBLE



KUNIS BRECCIA STONE

BaseBLACK POWDER COATED
ALUMINIUM & STEEL

TECHNICAL SPECIFICATIONS

COLLI

1

WEIGHT

Tabletop oak or linoleum
 Ø60: 8 kg / 17,6 lb
 Ø80: 9 kg / 19,8 lb
 70 × 60: 8,5 kg / 18,7 lb

Tabletop marble or stone
 Ø60: 28 kg / 61,7 lb
 Ø80: 52,8 kg / 116,4 lb
 70 × 60: 36 kg / 79,4 lb

Topplate
 6,4 kg / 14,1 lb

Column bar
 3,3 kg / 7,3 lb

Base
 Ø50: 12,9 kg / 28,4 lb

TEST

EN 15372:2016, L2

CERTIFICATIONS

TSCA title VI compliant

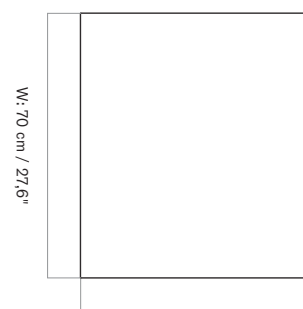
CORE

TECHNICAL SPECIFICATION

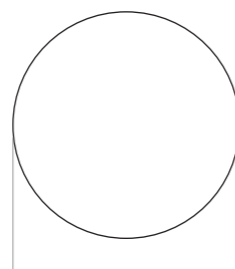
70 × 60

Ø60

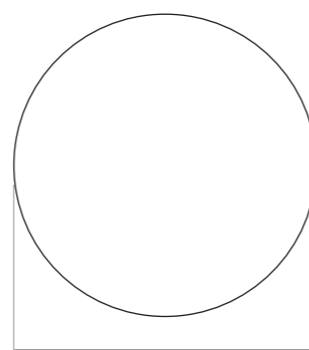
Ø80



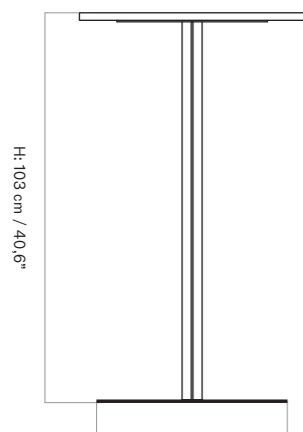
D: 60 cm / 23.6"



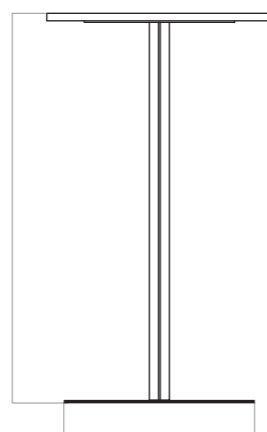
Ø: 60 cm / 23.6"



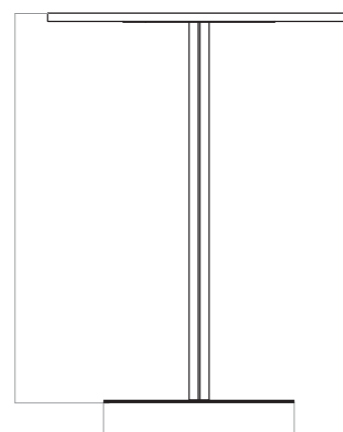
Ø: 80 cm / 31.5"



Ø: 50 cm / 19.7"



Ø: 50 cm / 19.7"



Ø: 50 cm / 19.7"



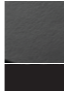
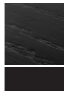


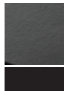
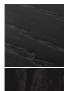


HARBOUR COLUMN DINING TABLE, CIRCULAR, size Ø80 cm, material *black steel / Kunis Breccia*, designer *Norm Architects*
READY DINING CHAIR VENEER, material *Red Stained Oak*, designer *Matias Mollenbach & Nick Rasmussen*

CORE

SPEC OPTIONS — PRICES IN SEK
Selected combinations 6–8 weeks delivery time.

SKU	VARIANT	EXCL. VAT
<i>Harbour Column Bar Table — 70 × 60</i>		
9310149	 HARBOUR COLUMN BAR TABLE, 70 × 60, BLACK ALUMINIUM & STEEL / CHARCOAL LINOLEUM	5.568,00
9310539	 HARBOUR COLUMN BAR TABLE, 70 X6 0, BLACK ALUMINIUM & STEEL / BLACK OAK	5.568,00
9310659	 HARBOUR COLUMN BAR TABLE, 70 × 60, BLACK ALUMINIUM & STEEL / ESTREMOZ MARBLE	7.968,00
9310139	 HARBOUR COLUMN BARR TABLE, 70 × 60, BLACK ALUMINIUM & STEEL / KUNIS BRECCIA STONE	10.288,00

SPEC OPTIONS — PRICES IN SEK
Selected combinations 6–8 weeks delivery time.

SKU	VARIANT	EXCL. VAT
<i>Harbour Column Bar Table — Ø60</i>		
9320149	 HARBOUR COLUMN BAR TABLE, Ø60, BLACK ALUMINIUM & STEEL / CHARCOAL LINOLEUM	5.568,00
9320539	 HARBOUR COLUMN BAR TABLE, Ø60, BLACK ALUMINIUM & STEEL / BLACK OAK	5.568,00
9320659	 HARBOUR COLUMN BAR TABLE, Ø60, BLACK ALUMINIUM & STEEL / ESTREMOZ MARBLE	7.968,00
9320139	 HARBOUR COLUMN BAR TABLE, Ø60, BLACK ALUMINIUM & STEEL / KUNIS BRECCIA	9.648,00
<i>Harbour Column Bar Table — Ø80</i>		
9307149	 HARBOUR COLUMN BAR TABLE, Ø80, BLACK ALUMINIUM & STEEL / CHARCOAL LINOLEUM	7.008,00
9307539	 HARBOUR COLUMN BAR TABLE, Ø80, BLACK ALUMINIUM & STEEL / BLACK OAK	7.008,00
9307659	 HARBOUR COLUMN BAR TABLE, Ø80, BLACK ALUMINIUM & STEEL / ESTREMOZ MARBLE	9.408,00
9307139	 HARBOUR COLUMN BAR TABLE, Ø80, BLACK ALUMINIUM & STEEL / KUNIS BRECCIA STONE	11.088,00



HARBOUR COLUMN COUNTER TABLE, STAR BASE
Designed by *Norm Architects*

[BACK TO START](#)

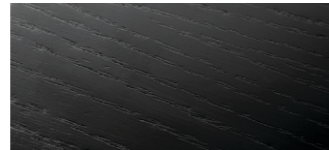
CORE

Star-shaped, Black powder coated aluminium and steel base in with round or rectangular tabletop in Kunis breccia stone, Estremoz marble, Black painted oak or linoleum.

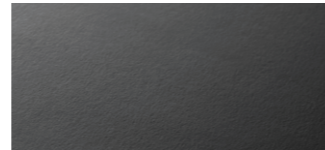


PRODUCT OPTIONS

Tabletop



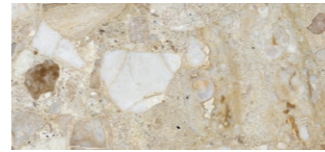
BLACK PAINTED OAK



CHARCOAL LINOLEUM



ESTREMOZ MARBLE



KUNIS BRECCIA STONE

Base



BLACK POWDER COATED
ALUMINIUM & STEEL

TECHNICAL SPECIFICATIONS

COLLI

1

WEIGHT

Tabletop oak or linoleum
Ø60: 8 kg / 17,6 lb
Ø80: 9 kg / 19,8 lb
70 × 60: 8,5 kg / 18,7 lb

Tabletop marble or stone
Ø60: 28 kg / 61,7 lb
Ø80: 52,8 kg / 116,4 lb
70 × 60: 36 kg / 79,4 lb

Topplate
6,4 kg / 14,1 lb

Column counter
2,5 kg / 5,5 lb

Star base
3,5 kg / 7,7 lb

TEST

EN 15372:2016, L2

CERTIFICATIONS

TSCA title VI compliant



HARBOUR COLUMN COUNTER TABLE, STAR BASE
Designed by *Norm Architects*

BACK TO START

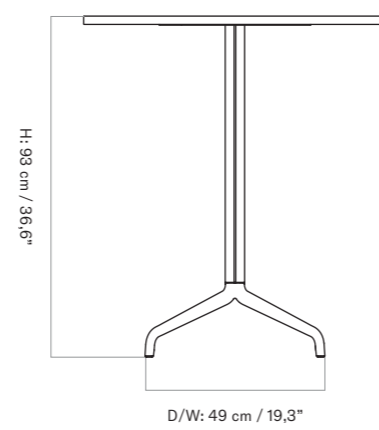
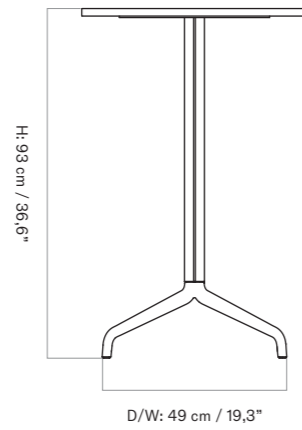
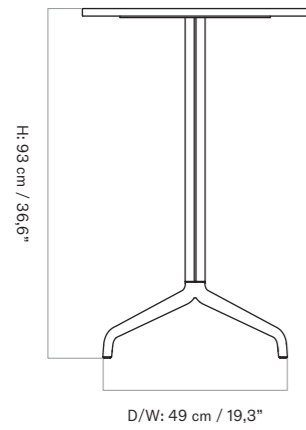
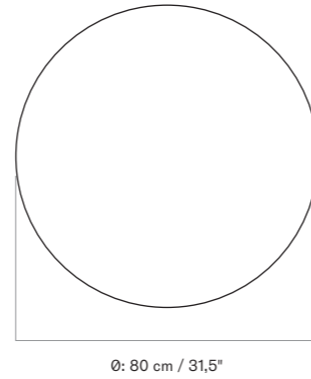
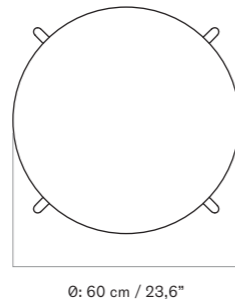
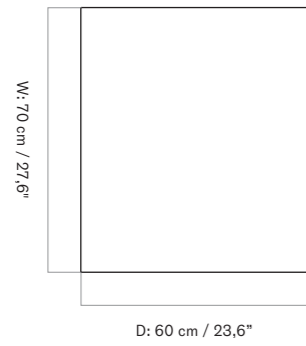
CORE

TECHNICAL SPECIFICATION

70 × 60

Ø60

Ø80



HARBOUR COLUMN BAR TABLE, STAR BASE, size 70x60,
material *Kunis Breccia stone*, designer *Norm Architects*
HARBOUR BAR STOOL, material *black steel / Dakar 0311*, designer *Norm Architects*

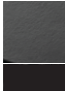
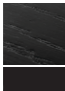




HARBOUR COLUMN COUNTER TABLE, STAR BASE
Designed by *Norm Architects*

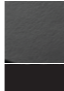
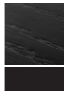


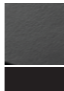
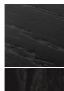


[BACK TO START](#)

CORE

SPEC OPTIONS — PRICES IN SEK
Selected combinations 6–8 weeks delivery time.

SKU	VARIANT	EXCL. VAT
<i>Harbour Column Counter Table — Star base — 70 × 60</i>		
9330149	 HARBOUR COLUMN COUNTER TABLE, STAR BASE, 70 × 60, BLACK ALUMINIUM & STEEL / CHARCOAL LINOLEUM	6.896,00
9330539	 HARBOUR COLUMN COUNTER TABLE, STAR BASE, 70 × 60, BLACK ALUMINIUM & STEEL / BLACK OAK	6.896,00
9330659	 HARBOUR COLUMN COUNTER TABLE, STAR BASE, 70 × 60, BLACK ALUMINIUM & STEEL / ESTREMOZ MARBLE	9.296,00
9330139	 HARBOUR COLUMN COUNTER TABLE, STAR BASE, 70 × 60, BLACK ALUMINIUM & STEEL / KUNIS BRECCIA STONE	11.616,00

SPEC OPTIONS — PRICES IN SEK
Selected combinations 6–8 weeks delivery time.

SKU	VARIANT	EXCL. VAT
<i>Harbour Column Counter Table — Star base — Ø60</i>		
9331149	 HARBOUR COLUMN COUNTER TABLE, STAR BASE, Ø60, BLACK ALUMINIUM & STEEL / CHARCOAL LINOLEUM	6.896,00
9331539	 HARBOUR COLUMN COUNTER TABLE, STAR BASE, Ø60, BLACK ALUMINIUM & STEEL / BLACK OAK	6.896,00
9331659	 HARBOUR COLUMN COUNTER TABLE, STAR BASE, Ø60, BLACK ALUMINIUM & STEEL / ESTREMOZ MARBLE	9.296,00
9331139	 HARBOUR COLUMN COUNTER TABLE, STAR BASE, Ø60, BLACK ALUMINIUM & STEEL / KUNIS BRECCIA STONE	10.976,00
<i>Harbour Column Counter Table — Star base — Ø80</i>		
9332149	 HARBOUR COLUMN COUNTER TABLE, STAR BASE, Ø80, BLACK ALUMINIUM & STEEL / CHARCOAL LINOLEUM	8.336,00
9332539	 HARBOUR COLUMN COUNTER TABLE, STAR BASE, Ø80, BLACK ALUMINIUM & STEEL / BLACK OAK	8.336,00
9332659	 HARBOUR COLUMN COUNTER TABLE, STAR BASE, Ø80, BLACK ALUMINIUM & STEEL / ESTREMOZ MARBLE	10.736,00
9332139	 HARBOUR COLUMN COUNTER TABLE, STAR BASE, Ø80, BLACK ALUMINIUM & STEEL / KUNIS BRECCIA STONE	12.416,00



HARBOUR COLUMN BAR TABLE, STAR BASE
Designed by *Norm Architects*

[BACK TO START](#)

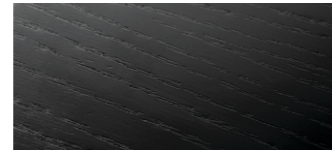
CORE

Star-shaped, Black powder coated aluminium and steel base in with round or rectangular tabletop in Kunis breccia stone, Estremoz marble, Black painted oak or linoleum.

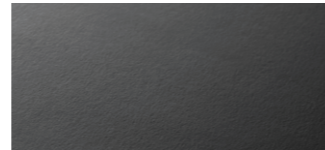


PRODUCT OPTIONS

Tabletop



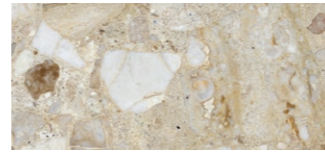
BLACK PAINTED OAK



CHARCOAL LINOLEUM



ESTREMOZ MARBLE



KUNIS BRECCIA STONE

Base



BLACK POWDER COATED
ALUMINIUM & STEEL

TECHNICAL SPECIFICATIONS

COLLI

1

WEIGHT

Tabletop oak or linoleum
Ø60: 8 kg / 17,6 lb
Ø80: 9 kg / 19,8 lb
70 × 60: 8,5 kg / 18,7 lb

Tabletop marble or stone
Ø60: 28 kg / 61,7 lb
Ø80: 52,8 kg / 116,4 lb
70 × 60: 36 kg / 79,4 lb

Topplate
6,4 kg / 14,1 lb

Column bar
2,8 kg / 6,2 lb

Star base
3,5 kg / 7,7 lb

TEST

EN 15372:2016, L2

CERTIFICATIONS

TSCA title VI compliant



HARBOUR COLUMN BAR TABLE, STAR BASE
Designed by *Norm Architects*

[BACK TO START](#)

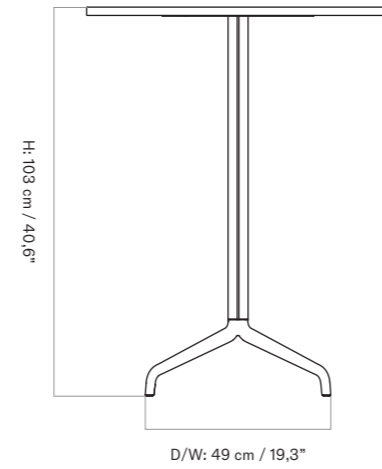
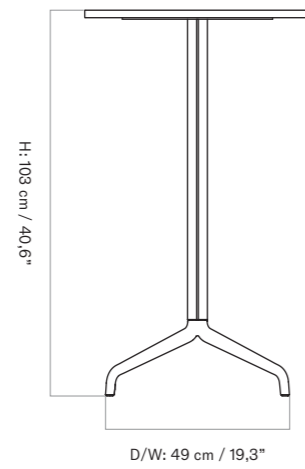
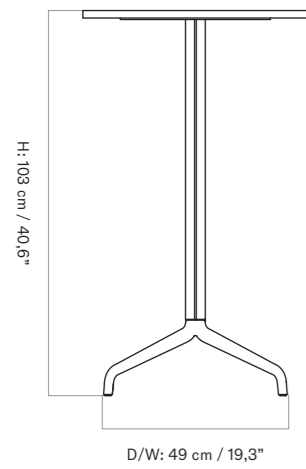
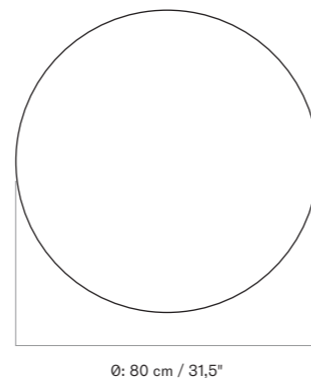
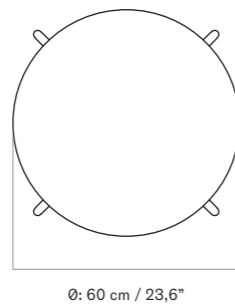
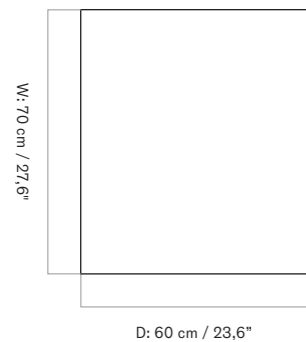
CORE

TECHNICAL SPECIFICATION

70 × 60

Ø60

Ø80





HARBOUR COLUMN BAR TABLE, STAR BASE
Designed by *Norm Architects*

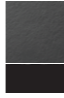
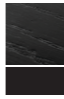


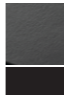
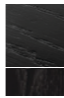


[BACK TO START](#)

CORE

SPEC OPTIONS — PRICES IN SEK
Selected combinations 6–8 weeks delivery time.

SKU	VARIANT	EXCL. VAT
<i>Harbour Column Bar Table— Star base — 70 × 60</i>		
9335149	 HARBOUR COLUMN BAR TABLE, STAR BASE, 70 × 60, BLACK ALUMINIUM & STEEL / CHARCOAL LINOLEUM	6.896,00
9335539	 HARBOUR COLUMN BAR TABLE, STAR BASE, 70 × 60, BLACK ALUMINIUM & STEEL / BLACK OAK	6.896,00
9335659	 HARBOUR COLUMN BAR TABLE, STAR BASE, 70 × 60, BLACK ALUMINIUM & STEEL / ESTREMOZ MARBLE	9.296,00
9335139	 HARBOUR COLUMN BAR TABLE, STAR BASE, 70 × 60, BLACK ALUMINIUM & STEEL / KUNIS BRECCIA STONE	11.616,00

SPEC OPTIONS — PRICES IN SEK
Selected combinations 6–8 weeks delivery time.

SKU	VARIANT	EXCL. VAT
<i>Harbour Column Bar Table — Star base — Ø60</i>		
9336149	 HARBOUR COLUMN BAR TABLE, STAR BASE, Ø60, BLACK ALUMINIUM & STEEL / CHARCOAL LINOLEUM	6.896,00
9336539	 HARBOUR COLUMN BAR TABLE, STAR BASE, Ø60, BLACK ALUMINIUM & STEEL / BLACK OAK	6.896,00
9336659	 HARBOUR COLUMN BAR TABLE, STAR BASE, Ø60, BLACK ALUMINIUM & STEEL / ESTREMOZ MARBLE	9.296,00
9336139	 HARBOUR COLUMN BAR TABLE, STAR BASE, Ø60, BLACK ALUMINIUM & STEEL / KUNIS BRECCIA STONE	10.976,00
<i>Harbour Column Bar Table — Star base — Ø80</i>		
9337149	 HARBOUR COLUMN BAR TABLE, STAR BASE, Ø80, BLACK ALUMINIUM & STEEL / CHARCOAL LINOLEUM	8.336,00
9337539	 HARBOUR COLUMN BAR TABLE, STAR BASE, Ø80, BLACK ALUMINIUM & STEEL / BLACK OAK	8.336,00
9337659	 HARBOUR COLUMN BAR TABLE, STAR BASE, Ø80, BLACK ALUMINIUM & STEEL / ESTREMOZ MARBLE	10.736,00
9337139	 HARBOUR COLUMN BAR TABLE, STAR BASE, Ø80, BLACK ALUMINIUM & STEEL / KUNIS BRECCIA STONE	12.416,00


DESKS



 Rail Desk →  Passage Lounge Table Ø50 →

 The Eclipse Desk →  Passage Lounge Table Ø70 →

 Passage Lounge Table Ø90 →

SIDE AND LOUNGE TABLES

 Androgyne Side Table Ø40 →  NoNo Table →

 Androgyne Side Table Ø50 →  Jäger Lounge Table →

 Androgyne Lounge Table →

 Harbour Column Lounge Table →

RAIL DESK

Designed by *Keiji Ashizawa*

CORE

Natural or dark stained oak desk with steel wall bracket.

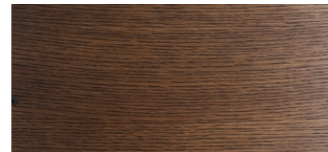


PRODUCT OPTIONS

Tabletop



NATURAL OAK



DARK STAINED OAK

Powder coated steel frame



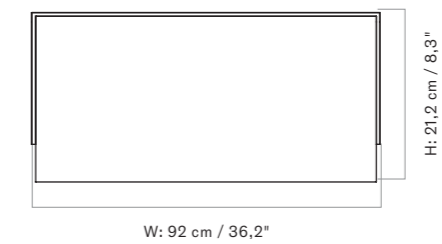
BLACK

STOCK OPTIONS — PRICES IN SEK

SKU	VARIANT	EXCL. VAT
1205039	RAIL DESK, BLACK STEEL / NATURAL OAK	3.592,00
1205849	RAIL DESK, BLACK STEEL / DARK STAINED OAK	3.592,00

TECHNICAL SPECIFICATIONS

COLLI	WEIGHT	TEST	CERTIFICATIONS
1	8,5 kg / 18,7 lb	Vertical Static Load Test (60 kg / 132 lb)	TSCA title VI compliant





THE ECLIPSE DESK
Designed by *Fred Rigby Studio*

[BACK TO START](#)

CORE

A celebration of materials and form, the Eclipse Desk invites touch with its intriguing, asymmetrical shape. Developed into a table from a hand-drawn line, the design's distinctive silhouette features a steel column that doubles as a storage container to keep desk space clutter-free.



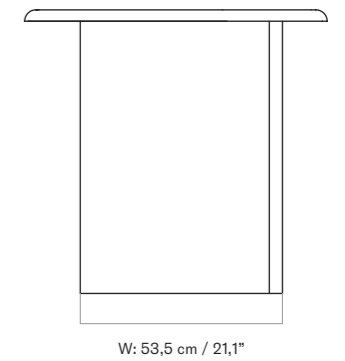
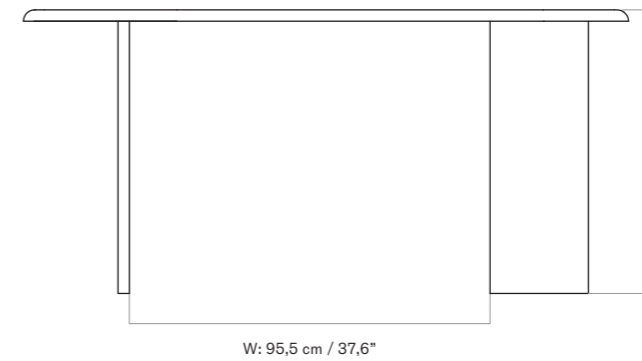
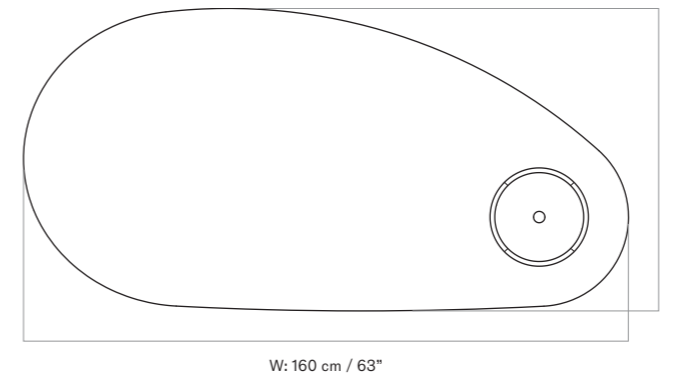
DARK OILED OAK
1020889



NATURAL OILED OAK
1020039

TECHNICAL SPECIFICATIONS

COLLI	WEIGHT	TEST	CERTIFICATIONS
1	<p><i>Wood tabletop:</i> 17 kg / 37,5 lb</p> <p><i>Flat wood steel leg:</i> 7,5 kg / 16,5 lb</p> <p><i>Column steel leg:</i> 5,5 kg / 12 lb</p>	N / A	Crafted from FSC and PEFC certified wood.







THE ECLIPSE DESK
Designed by *Fred Rigby Studio*

[BACK TO START](#)

CORE

STOCK OPTIONS — PRICES IN SEK

SKU	VARIANT	EXCL. VAT
1020889	 THE ECLIPSE DESK, DARK OILED OAK	20.468,00
1020039	 THE ECLIPSE DESK, NATURAL OILED OAK	20.468,00



THE ECLIPSE DESK, material *dark oiled oak*, designer *Fred Rigby Studio*
 HARBOUR DINING CHAIR, STAR BASE, material *polished aluminium / Bouclé 02*, designer *Norm Architects*
 ZET STORAGE SYSTEM, size *H114*, material *black steel / dark stained oak*, designer *Kaschkasch*
 REVERSE TABLE LAMP, designer *Aleksandar Lazic*
 NNDW BOWL & CUP, size *Ø17,5*, material *Dark Glazed*, designer *Norm Architects*



ANDROGYNE SIDE TABLE, Ø40
Designed by *Danielle Siggerud*

[BACK TO START](#)

CORE

Perfectly proportioned, the Androgyne Side Table balances a rounded marble tabletop on a powder coated steel base that features wide, flat legs, laser-cut for precision. The architect-designed piece is offered in a number of materials that can be co-ordinated or contrasted as desired. The latest addition to the collection is a tabletop in Emperador marble, a richly veined marble with intense brown tones, as well as calcatta viola, already known from the Plinth Collection. Carefully selected for its inherent beauty and light-reflecting qualities, the different marble tops provide a top provides a tactile and natural contrast to the sleek metal.

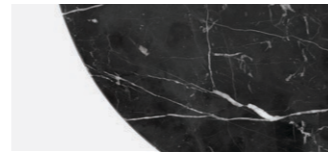


PRODUCT OPTIONS

Tabletop



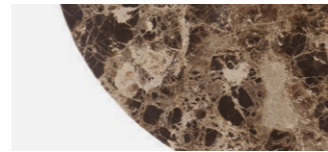
CRYSTAL ROSE MARBLE



NERO MARQUINA MARBLE



CALACATTA VIOLA MARBLE



EMPERADOR MARBLE

Powder coated steel base



IVORY STEEL



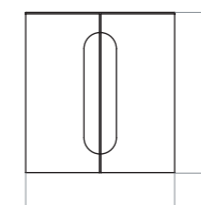
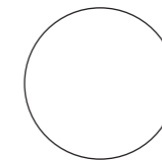
BLACK STEEL

TECHNICAL SPECIFICATIONS

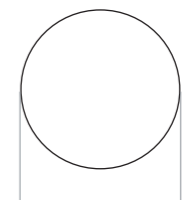
COLLI	WEIGHT	TEST	CERTIFICATIONS
1	<p><i>Marble top:</i> 6,9 kg / 15,2 lb</p> <p><i>Steel base:</i> 9,7 kg / 21,4 lb</p>	N / A	N / A

STEEL BASE

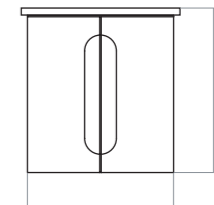
STEEL BASE WITH MARBLE TABLETOP



Ø: 40 cm / 15,75"



Ø: 42 cm / 16,5"



Ø: 40 cm / 15,75"


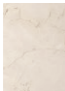
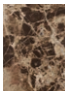

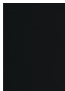
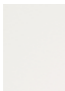


ANDROGYNE SIDE TABLE, Ø40
Designed by *Danielle Siggerud*

[BACK TO START](#)

CORE

STOCK OPTIONS — PRICES IN SEK

SKU	VARIANT	EXCL. VAT
<i>Marble tabletop – Marble</i>		
1181539	 ANDROGYNE TABLETOP FOR SIDE TABLE, NERO MARQUINA MARBLE	1.756,00
1181649	 ANDROGYNE TABLETOP FOR SIDE TABLE, CRYSTAL ROSE MARBLE	1.756,00
1181989	 ANDROGYNE TABLETOP FOR SIDE TABLE, EMPERADOR MARBLE	1.756,00
1181319	 ANDROGYNE TABLETOP FOR SIDE TABLE, CALACATTA VIOLA MARBLE	3.596,00
<i>Base – Powder coated steel base</i>		
1180539	 ANDROGYNE SIDE TABLE, BLACK STEEL	3.276,00
1180649	 ANDROGYNE SIDE TABLE, IVORY STEEL	3.276,00



ANDROGYNE SIDE TABLE, material *Ivory base*, designer *Danielle Siggerud*
ANDROGYNE SIDE TABLE TOP, material *Calacatta Viola*, designer *Danielle Siggerud*
EAVE MODULAR SOFA, material *Audo Bouclé*, designer *Norm Architects*



ANDROGYNE SIDE TABLE, Ø50
Designed by *Danielle Siggerud*

[BACK TO START](#)

CORE

A beautiful and practical furniture design that makes clever use of craftsmanship and tactile materials, the simple silhouette of the Androgyne Side Table is characterised by opposites. The pure use of materials contrasts with a refined silhouette of solid and soft lines, living up to its name thanks to its combination of masculine and feminine characteristics. The pairing of rich oak – with a natural or dark stained finish – walnut and Kunis breccia stone creates a distinctive design customisable to any and every interior style.

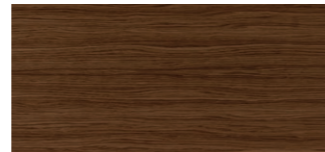


PRODUCT OPTIONS

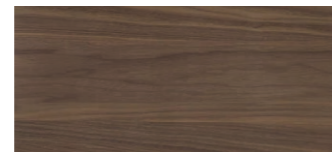
Tabletop



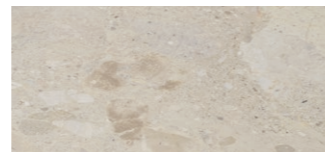
NATURAL OAK



DARK STAINED OAK

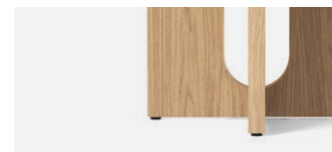


WALNUT

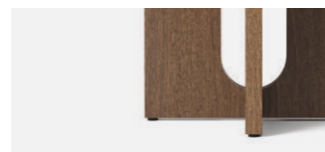


KUNIS BRECCIA STONE

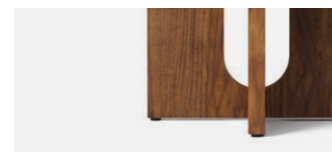
Base



NATURAL OAK



BLACK STEEL



WALNUT

COLLI

1

WEIGHT

Wood tabletop:
4,8 kg / 10,6 lb

Kunis Breccia tabletop:
8,9 kg / 19,6 lb

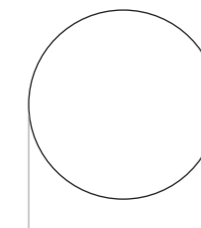
Wood base:
6,6 kg / 14,6 lb

TEST

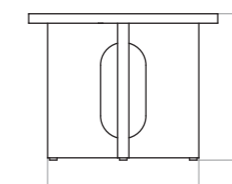
N / A

CERTIFICATIONS

TSCA title IV compliant



Ø: 50 cm / 19,7"



W: 35,5 cm / 14"

H: 39,5 / 15,5"


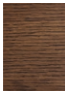

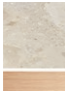
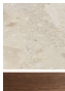
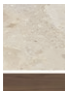


ANDROGYNE SIDE TABLE, Ø50
Designed by *Danielle Siggerud*

[BACK TO START](#)

CORE

STOCK OPTIONS — PRICES IN SEK

SKU	VARIANT	EXCL. VAT
<i>Wood base — Wood tabletop</i>		
1119039	 ANDROGYNE SIDE TABLE, Ø50, NATURAL OAK / NATURAL OAK	5.512,00
1119849	 ANDROGYNE SIDE TABLE, Ø50, DARK STAINED OAK / DARK STAINED OAK	5.512,00
1119879	 ANDROGYNE SIDE TABLE, Ø50, WALNUT / WALNUT	8.472,00
<i>Wood base — Kunis breccia stone tabletop</i>		
1119019	 ANDROGYNE SIDE TABLE, Ø50, NATURAL OAK / KUNIS BRECCIA STONE	6.712,00
1119819	 ANDROGYNE SIDE TABLE, Ø50, DARK STAINED OAK / KUNIS BRECCIA STONE	6.712,00
1119869	 ANDROGYNE SIDE TABLE, Ø50, WALNUT / KUNIS BRECCIA STONE	9.112,00



ANDROGYNE SIDE TABLE, size Ø50, material *dark stained oak / dark stained oak*, designer *Danielle Siggerud*



ANDROGYNE LOUNGE TABLE

Designed by *Danielle Siggerud*

[BACK TO START](#)

CORE

Imagined by Norwegian architect and designer Danielle Siggerud for Audo's former showroom café, the Androgyne Collection profiles simple silhouettes and refined materials. A celebration of craftsmanship, the Androgyne Lounge Table is a characterful centrepiece in a living space. Profiling the beauty of natural materials and uncompromising craftsmanship, each design is precision assembled to reveal the inherent beauty and uniqueness of the material. Each piece of stone and marble will therefore vary and display differently.

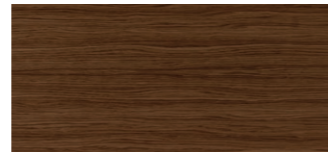


PRODUCT OPTIONS

Tabletop



NATURAL OAK



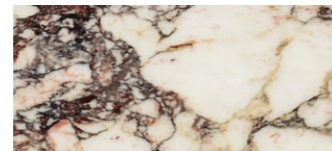
DARK STAINED OAK



WALNUT



KUNIS BRECCIA STONE

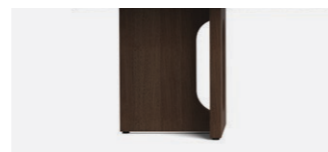


CALACATTA VIOLA MARBLE

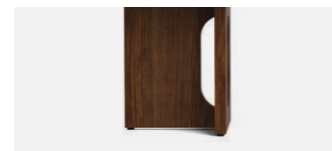
Base



NATURAL OAK



DARK STAINED OAK



WALNUT



KUNIS BRECCIA STONE



CALACATTA VIOLA MARBLE

TECHNICAL SPECIFICATIONS

COLLI

1

WEIGHT

Wood tabletop:
10,9 kg / 24 lb

Kunis Breccia tabletop:
28,6 kg / 63,1 lb

Calacatta Viola tabletop:
28,6 kg / 63,1 lb

Wood base:
9,12 kg / 20,1 lb

Kunis Breccia base:
25,8 kg / 56,9 lb

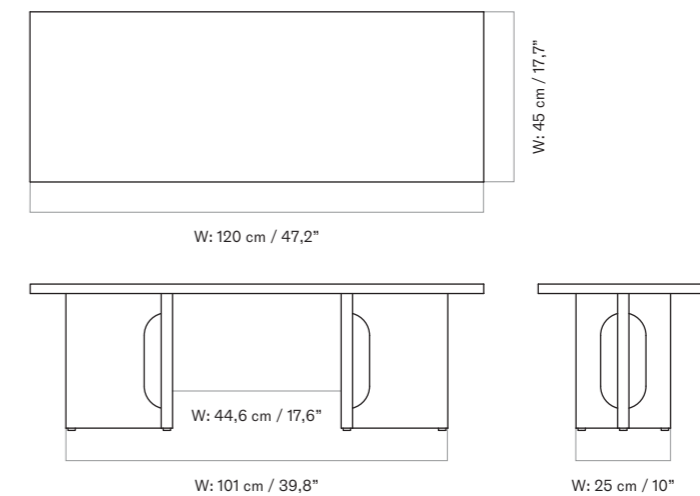
Calacatta Viola base:
25,8 kg / 56,9 lb

TEST

N / A

CERTIFICATIONS

TSCA title IV compliant






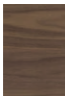
ANDROGYNE LOUNGE TABLE

Designed by *Danielle Siggerud*


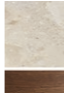
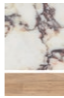
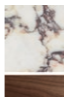
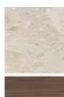
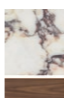
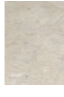

[BACK TO START](#)

CORE

STOCK OPTIONS — PRICES IN SEK

SKU	VARIANT	EXCL. VAT
<i>Wood base — wood tabletop</i>		
1184039	 ANDROGYNE LOUNGE TABLE, NATURAL OAK / NATURAL OAK	7.512,00
1184849	 ANDROGYNE LOUNGE TABLE, DARK STAINED OAK / DARK STAINED OAK	7.512,00
1184879	 ANDROGYNE LOUNGE TABLE, WALNUT / WALNUT	10.872,00

STOCK OPTIONS — PRICES IN SEK

SKU	VARIANT	EXCL. VAT
<i>Wood base — stone / marble tabletop</i>		
1184019	 ANDROGYNE LOUNGE TABLE, NATURAL OAK / KUNIS BRECCIA STONE	10.392,00
1184819	 ANDROGYNE LOUNGE TABLE, DARK STAINED OAK / KUNIS BRECCIA STONE	10.392,00
1189019	 ANDROGYNE LOUNGE TABLE, NATURAL OAK / CALACATTA VIOLA MARBLE	15.112,00
1189819	 ANDROGYNE LOUNGE TABLE, DARK STAINED OAK / CALACATTA VIOLA MARBLE	15.112,00
1184869	 ANDROGYNE LOUNGE TABLE, WALNUT / KUNIS BRECCIA STONE	12.632,00
1189869	 ANDROGYNE LOUNGE TABLE, WALNUT / CALACATTA VIOLA MARBLE	17.352,00
<i>Stone / marble base — stone / marble tabletop</i>		
1184139	 ANDROGYNE LOUNGE TABLE, KUNIS BRECCIA / SAND, KUNIS BRECCIA	24.552,00
1189319	 ANDROGYNE LOUNGE TABLE, CALACATTA VIOLA MARBLE / CALACATTA VIOLA MARBLE	28.792,00



HARBOUR COLUMN LOUNGE TABLE, STAR BASE
Designed by *Norm Architects*

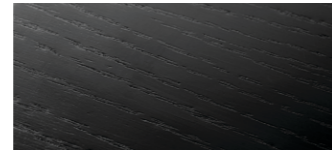
[BACK TO START](#)

CORE

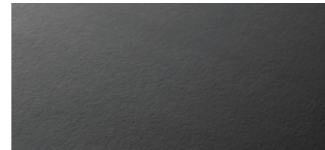
Star-shaped, Black powder coated aluminium and steel base with round Kunis Breccia stone, Estremoz marble, Black painted oak or linoleum tabletop.

PRODUCT OPTIONS

Tabletop



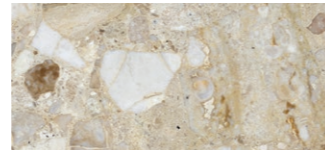
BLACK PAINTED OAK



CHARCOAL LINOLEUM



ESTREMOZ MARBLE



KUNIS BRECCIA STONE

Base



BLACK POWDER COATED
ALUMINIUM & STEEL



TECHNICAL SPECIFICATIONS

COLLI

1

WEIGHT

Tabletop oak or linoleum
9 kg / 19,8 lb

Tabletop marble or stone
52,8 kg / 116,4 lb

Topplate
6,4 kg / 14,1 lb

Column
1,1 kg / 2,4 lb

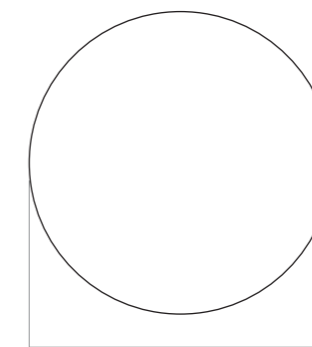
Star base
3,5 kg / 7,7 lb

TEST

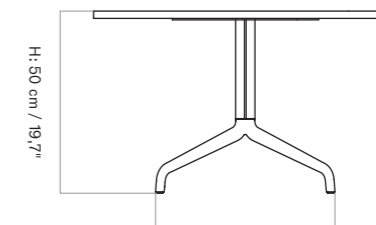
EN 15372:2016, L2

CERTIFICATIONS

TSCA title IV compliant



Ø: 80 cm / 31,5"



H: 50 cm / 19,7"

D/W: 49 cm / 19,3"

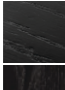



HARBOUR COLUMN LOUNGE TABLE, STAR BASE
Designed by *Norm Architects*



[BACK TO START](#)

CORE

STOCK OPTIONS — PRICES IN SEK

SKU	VARIANT	EXCL. VAT
<i>Harbour Column Lounge Table — Star base — Ø80</i>		
9303539	 HARBOUR COLUMN LOUNGE TABLE, Ø80, BLACK ALUMINIUM & STEEL / BLACK OAK	7.936,00
9303659	 HARBOUR COLUMN LOUNGE TABLE, Ø80, BLACK ALUMINIUM & STEEL / ESTREMOZ MARBLE	10.336,00

SPEC OPTIONS — PRICES IN SEK
Selected combinations 6–8 weeks delivery time.

SKU	VARIANT	EXCL. VAT
<i>Harbour Column Lounge Table — Star base — Ø80</i>		
9303149	 HARBOUR COLUMN LOUNGE TABLE, Ø80, BLACK ALUMINIUM & STEEL / BLACK OAK	7.936,00
9303139	 HARBOUR COLUMN LOUNGE TABLE, Ø80, BLACK ALUMINIUM & STEEL / ESTREMOZ MARBLE	12.016,00



KNITTING CHAIR, *material dark stained oak / Dakar 0311*, designer *Ib Kofod-Larsen*
 HARBOUR COLUMN LOUNGE TABLE, size *Ø80*,
 material *black aluminium & steel / Kunis Breccia*, designer *Norm Architects*
 HASHIRA TABLE LAMP, designer *Norm Architects*



PASSAGE LOUNGE TABLE, Ø50
Designed by *Krøyer-Sætter-Lassen*

[BACK TO START](#)

CORE

Whether playing host to drinks or home to the remote control or of-the-moment reads, the versatile Passage Lounge Table brings a feeling of soft serenity to spaces thanks to its calming round shape and FSC-certified solid wood construction. Cleverly designed as a flatpack, self-assembly kit, inviting you to engage with the design, it come in three sizes, which allows you to pair multiples together in a nest-like formation, and two finishes: natural and dark lacquered oak of the highest quality.



PRODUCT OPTIONS

Tabletop





NATURAL OAK



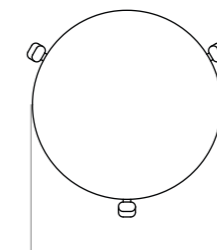
DARK LACQUERED OAK

STOCK OPTIONS — PRICES IN SEK

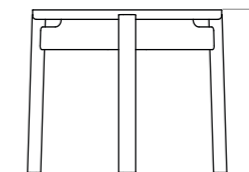
SKU	VARIANT	EXCL. VAT
9150039	 PASSAGE LOUNGE TABLE, Ø50, NATURAL OAK	4.396,00
9150959	 PASSAGE LOUNGE TABLE, Ø50, DARK LACQUERED OAK	4.396,00

TECHNICAL SPECIFICATIONS

COLLI	WEIGHT	TEST	CERTIFICATIONS
1	4 kg / 8,8 lb	N / A	Crafted from FSC certified oak



Ø: 50 cm / 19,7"



H: 43 cm / 17"



PASSAGE LOUNGE TABLE, Ø70
Designed by *Krøyer-Sætter-Lassen*

[BACK TO START](#)

CORE

Whether playing host to drinks or home to the remote control or of-the-moment reads, the versatile Passage Lounge Table brings a feeling of soft serenity to spaces thanks to its calming round shape and FSC-certified solid wood construction. Cleverly designed as a flatpack, self-assembly kit, inviting you to engage with the design, it come in three sizes, which allows you to pair multiples together in a nest-like formation, and two finishes: natural and dark lacquered oak of the highest quality.



PRODUCT OPTIONS

Tabletop





NATURAL OAK



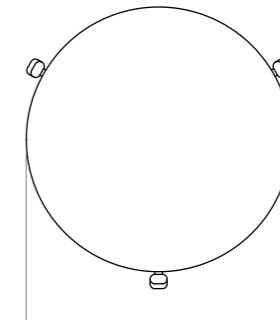
DARK LACQUERED OAK

STOCK OPTIONS — PRICES IN SEK

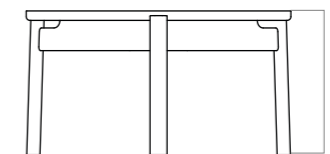
SKU	VARIANT	EXCL. VAT
9170039	 PASSAGE LOUNGE TABLE, Ø70, NATURAL OAK	6.556,00
9170959	 PASSAGE LOUNGE TABLE, Ø70, DARK LACQUERED OAK	6.556,00

TECHNICAL SPECIFICATIONS

COLLI	WEIGHT	TEST	CERTIFICATIONS
1	6 kg / 13,2 lb	N / A	Crafted from FSC certified oak



Ø: 70 cm / 27,6"



H: 38 cm / 15"



PASSAGE LOUNGE TABLE, Ø90
Designed by *Krøyer-Sætter-Lassen*

[BACK TO START](#)

CORE

Whether playing host to drinks or home to the remote control or of-the-moment reads, the versatile Passage Lounge Table brings a feeling of soft serenity to spaces thanks to its calming round shape and FSC-certified solid wood construction. Cleverly designed as a flatpack, self-assembly kit, inviting you to engage with the design, it come in three sizes, which allows you to pair multiples together in a nest-like formation, and two finishes: natural and dark lacquered oak.

PRODUCT OPTIONS

Tabletop





NATURAL OAK



DARK LACQUERED OAK

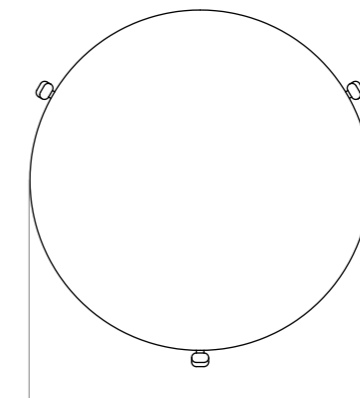
STOCK OPTIONS — PRICES IN SEK

SKU	VARIANT	EXCL. VAT
9190039	 PASSAGE LOUNGE TABLE, Ø90, NATURAL OAK	8.796,00
9190959	 PASSAGE LOUNGE TABLE, Ø90, DARK LACQUERED OAK	8.796,00

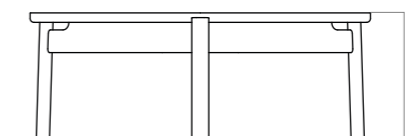


TECHNICAL SPECIFICATIONS

COLLI	WEIGHT	TEST	CERTIFICATIONS
1	9,5 kg / 20,9 lb	N / A	Crafted from FSC certified oak



Ø: 90 cm / 35,4"



H: 33 cm / 13"



NONO TABLE

Designed by *Norm Architects & Note design studio*

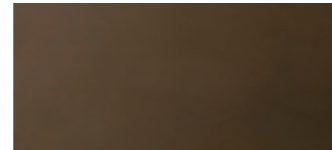
[BACK TO START](#)

CORE

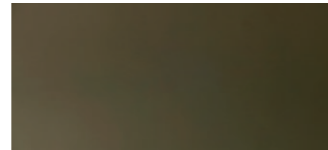
Lounge table with powder coated steel base and glass tabletop. Available in two sizes.

PRODUCT OPTIONS

Tabletop



BROWN GLASS



DARK GREEN GLASS

Frame



BLACK STEEL

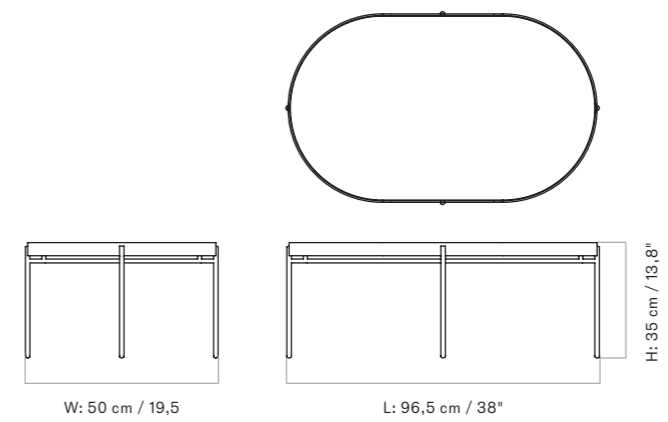


STOCK OPTIONS — PRICES IN SEK

SKU	VARIANT	EXCL. VAT
8561499	NONO TABLE, L, DARK GREEN	6.316,00
8561939	NONO TABLE, L, BROWN	6.316,00

TECHNICAL SPECIFICATIONS

COLLI	WEIGHT	TEST	CERTIFICATIONS
1	15,6 kg / 34,4 lb	N / A	TSCA title VI compliant





JÄGER LOUNGE TABLE

designed by *Mogens Lassen*

[BACK TO START](#)

CORE

Mogens Lassen's reissued coffee table from 1941 profiles the beauty of wood and brass while drawing inspiration from ancient Egypt: the foldaway design takes its cues from folding stools and beds found in Tutankhamen's tomb. Each table bears a brass plaque engraved with a unique serial number. Wood care kit included.



NATURAL OAK
1103039



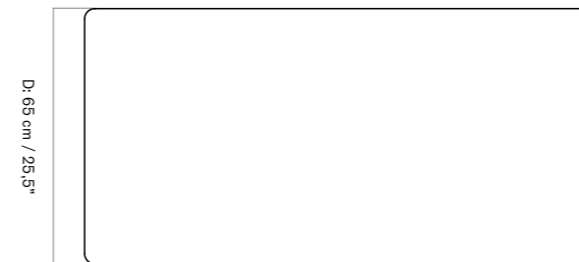
WALNUT
1103879

STOCK OPTIONS — PRICES IN SEK

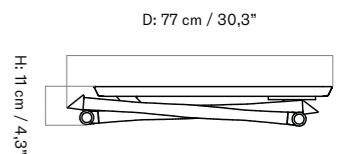
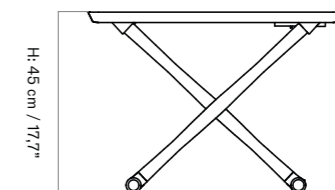
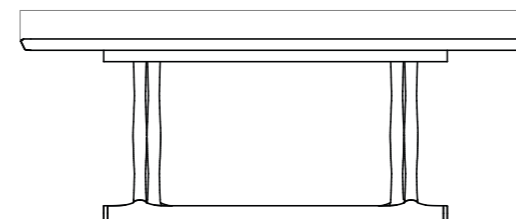
SKU	VARIANT	EXCL. VAT
1103039	JÄGER LOUNGE TABLE, NATURAL OAK BASE / NATURAL OAK TABLETOP	19.756,00
1103879	JÄGER LOUNGE TABLE, WALNUT BASE / WALNUT TABLETOP	21.916,00

TECHNICAL SPECIFICATIONS

COLLI	WEIGHT	TEST	CERTIFICATIONS
1	19 kg / 42 lb	N / A	N / A



W: 130 cm / 51,1"



 Plinth Low →

 Plinth Cubic →

 Plinth Tall →

 Plinth Grand →

 Plinth Pedestal →

 Plinth Bridge →



PLINTH SHELF, material *Kunis Breccia*, designer *Norm Architects*
PLINTH GRAND, material *Kunis Breccia*, designer *Norm Architects*
PLINTH TALL, material *Kunis Breccia*, designer *Norm Architects*
PLINTH LOW, material *Kunis Breccia*, designer *Norm Architects*

PLINTH LOW
Designed by *Norm Architects*

[BACK TO START](#)

CORE

Over centuries, the plinth has been a much mused-over object. With this project Danish studio Norm Architects set out to rethink the uses of the plinth and to reveal the natural beauty of marble. The result is a series of podiums with multiple uses in the home, office or showroom. Plinth is available in six sizes. The low rectangular version is ideal as a monumental coffee table. Profiling the beauty of natural materials and uncompromising craftsmanship, each design is precision assembled to reveal the inherent beauty and uniqueness of the material. Each piece of stone and marble will therefore vary and display differently.



PRODUCT OPTIONS

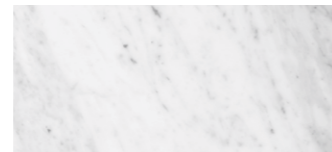
Marble options



NERO MARQUINA MARBLE



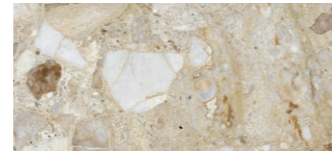
GREY KENDZO MARBLE



CARRARA MARBLE



CALACATTA VIOLA MARBLE



KUNIS BRECCIA STONE

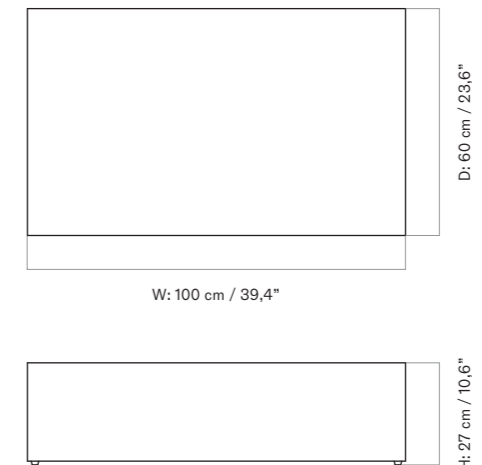
STOCK OPTIONS — PRICES IN SEK

SKU	VARIANT	EXCL. VAT
7000530	PLINTH LOW, BLACK, NERO MARQUINA MARBLE	18.076,00
7000960	PLINTH LOW, GREY KENDZO MARBLE	18.076,00
7000630	PLINTH LOW, WHITE, CARRARA MARBLE	18.076,00
7000319	PLINTH LOW, ROSE, CALACATTA VIOLA MARBLE	22.556,00
7000130	PLINTH LOW, SAND, KUNIS BRECCIA STONE	22.556,00

TECHNICAL SPECIFICATIONS

COLLI	WEIGHT	TEST	CERTIFICATIONS
1	82 kg / 180,8 lb	N / A	TSCA title IV compliant

Declare.





PLINTH CUBIC
Designed by *Norm Architects*

[BACK TO START](#)

CORE

Over centuries, the plinth has been a much mused-over object. With this project Danish studio Norm Architects set out to rethink the uses of the plinth and to reveal the natural beauty of marble. The result is a series of podiums with multiple uses in the home, office or showroom. Plinth is available in six sizes. The cube makes a perfect bedside table or side table. Profiling the beauty of natural materials and uncompromising craftsmanship, each design is precision assembled to reveal the inherent beauty and uniqueness of the material. Each piece of stone and marble will therefore vary and display differently.



PRODUCT OPTIONS

Marble options



NERO MARQUINA MARBLE



GREY KENDZO MARBLE



CARRARA MARBLE



CALACATTA VIOLA MARBLE



KUNIS BRECCIA STONE

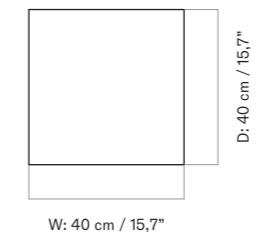
STOCK OPTIONS — PRICES IN SEK

SKU	VARIANT	EXCL. VAT
7010530	PLINTH CUBIC, BLACK, NERO MARQUINA MARBLE	11.276,00
7010960	PLINTH CUBIC, GREY KENDZO MARBLE	11.276,00
7010630	PLINTH CUBIC, WHITE, CARRARA MARBLE	11.276,00
7010319	PLINTH CUBIC, ROSE, CALACATTA VIOLA MARBLE	14.636,00
7010130	PLINTH CUBIC, SAND, KUNIS BRECCIA STONE	14.636,00

TECHNICAL SPECIFICATIONS

COLLI	WEIGHT	TEST	CERTIFICATIONS
1	37,5 kg / 82,7 lb	N / A	TSCA title IV compliant

Declare.



PLINTH TALL
Designed by *Norm Architects*

[BACK TO START](#)

CORE

Over centuries, the plinth has been a much mused-over object. With this project Danish studio Norm Architects set out to rethink the uses of the plinth and to reveal the natural beauty of marble. The result is a series of podiums with multiple uses in the home, office or showroom. Plinth is available in six sizes. Use the tall Plinth in the traditional manner – as a podium on which to display a bust, sculpture, art books, plants or a lamp. Profiling the beauty of natural materials and uncompromising craftsmanship, each design is precision assembled to reveal the inherent beauty and uniqueness of the material. Each piece of stone and marble will therefore vary and display differently.



PRODUCT OPTIONS

Marble options



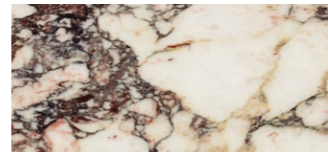
NERO MARQUINA MARBLE



GREY KENDZO MARBLE



CARRARA MARBLE



CALACATTA VIOLA MARBLE



KUNIS BRECCIA STONE

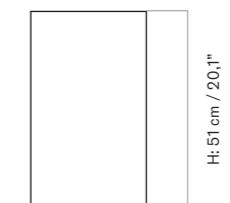
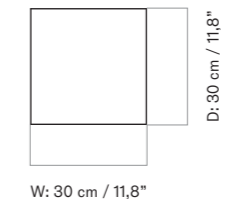
STOCK OPTIONS — PRICES IN SEK

SKU	VARIANT	EXCL. VAT
7020530	PLINTH TALL, BLACK, NERO MARQUINA MARBLE	11.276,00
7020960	PLINTH TALL, GREY KENDZO MARBLE	11.276,00
7020630	PLINTH TALL, WHITE, CARRARA MARBLE	11.276,00
7020319	PLINTH TALL, ROSE, CALACATTA VIOLA MARBLE	14.636,00
7020130	PLINTH CUBIC, SAND, KUNIS BRECCIA STONE	14.636,00

TECHNICAL SPECIFICATIONS

COLLI	WEIGHT	TEST	CERTIFICATIONS
1	32,5 kg / 71,7 lb	N / A	TSCA title IV compliant

Declare.



PLINTH GRAND
Designed by *Norm Architects*

[BACK TO START](#)

CORE

A supersized version of our classic Plinth Low podium, the Plinth Grand is a monumental and multifunctional design. Designed by Norm Architects and offered in four marble types with unique veining as well as Kunis Breccia stone, each piece is carefully assembled by hand for the perfect alignment. The design lends itself to a variety of uses and spaces: shaped into a perfectly balanced rectangle, Plinth Grand is ideal as a statement-making coffee table or low-lying display for decorative objects. It is also a sculptural object in its own right, elevating a space with its sophistication and light-reflecting finish. Profiling the beauty of natural materials and uncompromising craftsmanship, each design is precision assembled to reveal the inherent beauty and uniqueness of the material. Each piece of stone and marble will therefore vary and display differently.



PRODUCT OPTIONS

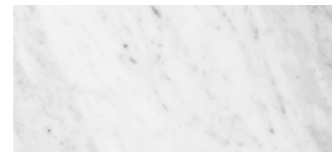
Marble options



NERO MARQUINA MARBLE



GREY KENDZO MARBLE



CARRARA MARBLE



CALACATTA VIOLA MARBLE



KUNIS BRECCIA STONE

STOCK OPTIONS — PRICES IN SEK

SKU	VARIANT	EXCL. VAT
7030530	PLINTH GRAND, NERO MARQUINA MARBLE	25.996,00
7030960	PLINTH GRAND, GREY KENDZO MARBLE	28.156,00
7030630	PLINTH GRAND, CARRARA MARBLE	28.156,00
7030319	PLINTH GRAND, CALACATTA VIOLA MARBLE	33.836,00
7030130	PLINTH GRAND, KUNIS BRECCIA STONE	33.836,00

TECHNICAL SPECIFICATIONS

COLLI	WEIGHT	TEST	CERTIFICATIONS
1	120 kg / 264,5 lb	N / A	TSCA title IV compliant

Declare.



PLINTH PEDESTAL
Designed by *Norm Architects*

[BACK TO START](#)

CORE

The Plinth Pedestal is a space-saving display for ornamental objects – from a decorative vase to an antique artifact. Visually decluttering a space, its slender silhouette and premium materials ensure it stands out as much as the items that rest upon it.



PRODUCT OPTIONS

Marble options



NERO MARQUINA MARBLE



GREY KENDZO MARBLE



CARRARA MARBLE



CALACATTA VIOLA MARBLE



KUNIS BRECCIA STONE

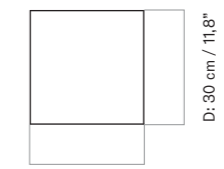
STOCK OPTIONS — PRICES IN SEK

SKU	VARIANT	EXCL. VAT
7025530	PLINTH PEDESTAL, NERO MARQUINA MARBLE	12.156,00
7025960	PLINTH PEDESTAL, GREY KENDZO MARBLE	12.156,00
7025630	PLINTH PEDESTAL, CARRARA MARBLE	12.156,00
7025319	PLINTH PEDESTAL, CALACATTA VIOLA MARBLE	15.996,00
7025130	PLINTH PEDESTAL, KUNIS BRECCIA STONE	14.876,00

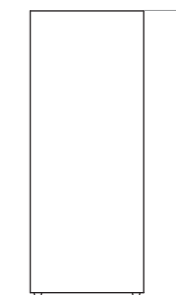
TECHNICAL SPECIFICATIONS

COLLI	WEIGHT	TEST	CERTIFICATIONS
1	43 kg / 94,8 lb	N / A	TSCA title IV compliant

Declare.



W: 30 cm / 11,8"



H: 75 cm / 29,53"



PLINTH BRIDGE
Designed by *Norm Architects*

[BACK TO START](#)

CORE

With its classic silhouette and modern material appeal, the Plinth Bridge is a versatile addition to any space. Made from high-grade marble or stone in a range of beautiful colours, the sleek table works independently as well as in combination with the Plinth Low and Plinth Grand podiums.

PRODUCT OPTIONS

STOCK OPTIONS — PRICES IN SEK

Marble options



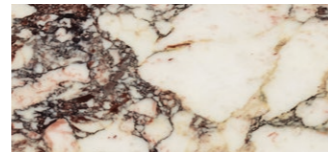
NERO MARQUINA MARBLE



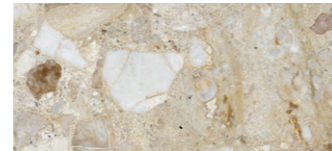
GREY KENDZO MARBLE



CARRARA MARBLE



CALACATTA VIOLA MARBLE



KUNIS BRECCIA STONE

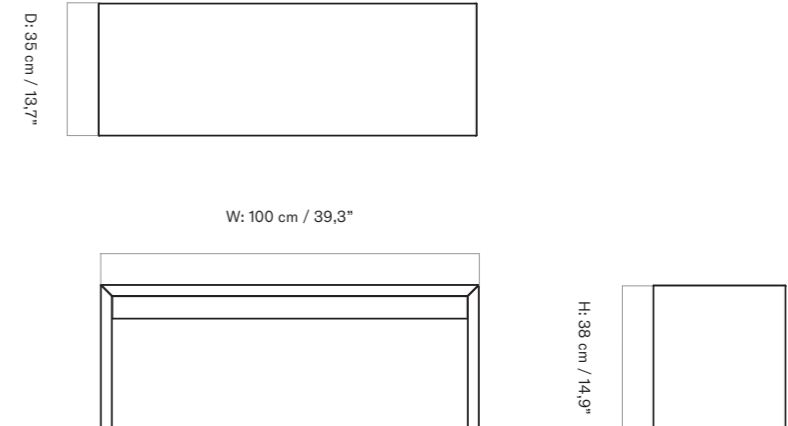


SKU	VARIANT	EXCL. VAT
7040530	PLINTH BRIDGE, NERO MARQUINA MARBLE	14.636,00
7040960	PLINTH BRIDGE, GREY KENDZO MARBLE	14.636,00
7040630	PLINTH BRIDGE, CARRARA MARBLE	14.636,00
7040319	PLINTH BRIDGE, CALACATTA VIOLA MARBLE	19.196,00
7040130	PLINTH BRIDGE, KUNIS BRECCIA STONE	18.076,00

TECHNICAL SPECIFICATIONS

COLLI	WEIGHT	TEST	CERTIFICATIONS
1	110 kg / 242,5 lb	N / A	TSCA title IV compliant

Declare.





 Offset Sofa →  Ingeborg, Sofa →

 Offset Sofa w/Loose Cover →  Vilhelm, Sofa →

 Offset Loose Cover →  Mingle, Sofa →

 Tearoom Sofa →  Constance, Sofa →

 Tearoom Sofa,
High Back →  Pagode →

 Tearoom Sofa,
High Back w/Power Outlet →  Radiohus Sofa P2 →

 Cairn Pouf →  Radiohus Sofa P3 →

OFFSET SOFA
Designed by *Norm Architects*

CORE

One-, two- and three-seater sofa set on a wooden frame with feather- and foam-filled upholstered cushions.

PRODUCT OPTIONS

1 Seater



2 Seater



3 Seater



Spec options

Available in fabrics from our upholstery programme. Standard lead times apply.

For custom upholstery, please refer to the guiding textile/leather consumption:
COM: 0,54 m / 0,594 yds
COL: 0,45 m² / 4,8465 sqft

Prices excl. custom upholstery are equal to *Price Category 1 Textile* or *Leather*. Contact Sales support for approval of custom upholstery and to place your order.

The above textile consumption is only valid for textile rolls with a width equal to or greater than 140 cm. For smaller textile rolls, please contact Sales Support for guidance. For textile with pattern, please expect a higher usage for correct pattern fitting. Please contact Sales Support for guidance.

TECHNICAL SPECIFICATIONS

COLLI

1

WEIGHT

1 Seater: 44 kg / 97 lb
2 Seater: 73 kg / 160,9 lb
3 Seater: 87 kg / 191,8 lb

TEST

N / A

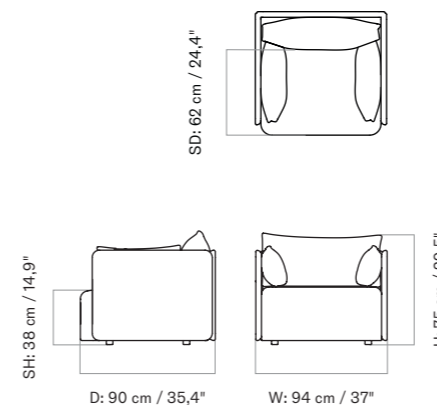
CERTIFICATIONS

TSCA title IV compliant

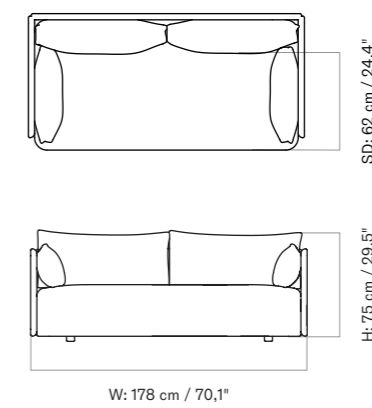
Declare.



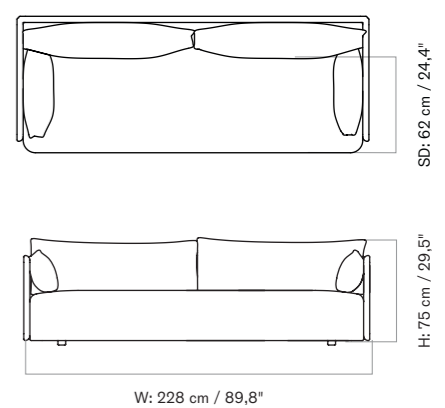
1 SEATER



2 SEATER



3 SEATER



OFFSET SOFA
Designed by *Norm Architects*

[BACK TO START](#)

CORE

SPEC OPTIONS — PRICES IN SEK
Selected combinations 6–8 weeks delivery time.

SKU	VARIANT	EXCL. VAT
<i>1 Seater — Seat with upholstery</i>		
9849020	<i>Price Category 0</i> Audo Bouclé, Audo	17.596,00
9849001	<i>Price Category 1</i> Barnum Bouclé, Audo / Champion, JAB / Illusion, Nevotex / Hot Madison, JAB / Maple, Kvadrat / Remix 3, Kvadrat / Re-wool, Kvadrat	20.476,00
9849002	<i>Price Category 2</i> Canvas 2, Kvadrat / Clay, Kvadrat, Sahco / Colline 2, Kvadrat / Fiord 2, Kvadrat / Hallingdal 65, Kvadrat / Moss, Kvadrat, Sahco / Reflect, Kvadrat / Savanna, Kvadrat / Steelcut 2, Kvadrat / Steelcut Trio 3, Kvadrat	29.436,00
9849003	<i>Price Category 3</i> Arctic, JAB / Safire, Kvadrat, Sahco / Vidar 4, Kvadrat, Sahco / Zero, Kvadrat, Sahco	33.996,00
9849008	<i>Price Category 4</i> Doppiopanama, Dedar / Lupo, Dedar	37.116,00
<i>2 Seater — Seat with upholstery</i>		
9850020	<i>Price Category 0</i> Audo Bouclé, Audo	20.796,00
9850001	<i>Price Category 1</i> Barnum Bouclé, Audo / Champion, JAB / Illusion, Nevotex / Hot Madison, JAB / Maple, Kvadrat / Remix 3, Kvadrat / Re-wool, Kvadrat	24.236,00
9850002	<i>Price Category 2</i> Canvas 2, Kvadrat / Clay, Kvadrat, Sahco / Colline 2, Kvadrat / Fiord 2, Kvadrat / Hallingdal 65, Kvadrat / Moss, Kvadrat, Sahco / Reflect, Kvadrat / Savanna, Kvadrat / Steelcut 2, Kvadrat / Steelcut Trio 3, Kvadrat	29.996,00
9850003	<i>Price Category 3</i> Arctic, JAB / Safire, Kvadrat, Sahco / Vidar 4, Kvadrat, Sahco / Zero, Kvadrat, Sahco	34.716,00
9850008	<i>Price Category 4</i> Doppiopanama, Dedar / Lupo, Dedar	36.956,00

SPEC OPTIONS — PRICES IN SEK
Selected combinations 6–8 weeks delivery time.

SKU	VARIANT	EXCL. VAT
<i>3 Seater — Seat with upholstery</i>		
9851020	<i>Price Category 0</i> Audo Bouclé, Audo	23.436,00
9851001	<i>Price Category 1</i> Barnum Bouclé, Audo / Champion, JAB / Illusion, Nevotex / Hot Madison, JAB / Maple, Kvadrat / Remix 3, Kvadrat / Re-wool, Kvadrat	27.356,00
9851002	<i>Price Category 2</i> Canvas 2, Kvadrat / Clay, Kvadrat, Sahco / Colline 2, Kvadrat / Fiord 2, Kvadrat / Hallingdal 65, Kvadrat / Moss, Kvadrat, Sahco / Reflect, Kvadrat / Savanna, Kvadrat / Steelcut 2, Kvadrat / Steelcut Trio 3, Kvadrat	33.996,00
9851003	<i>Price Category 3</i> Arctic, JAB / Safire, Kvadrat, Sahco / Vidar 4, Kvadrat, Sahco / Zero, Kvadrat, Sahco	39.116,00
9851008	<i>Price Category 4</i> Doppiopanama, Dedar / Lupo, Dedar	42.956,00

OFFSET SOFA W/LOOSE COVER
Designed by *Norm Architects*

[BACK TO START](#)

CORE

Designed by Norm Architects, the Sofa with Loose Cover introduces increased longevity, functionality and versatility to the Offset collection, with a removable and washable exterior crafted from a custom-made cotton and linen blend textile.



PRODUCT OPTIONS

1 Seater



2 Seater



3 Seater



TECHNICAL SPECIFICATIONS

COLLI

1

WEIGHT

1 Seater: 44 kg / 97 lb
2 Seater: 73 kg / 160,9 lb
3 Seater: 87 kg / 191,8 lb

TEST

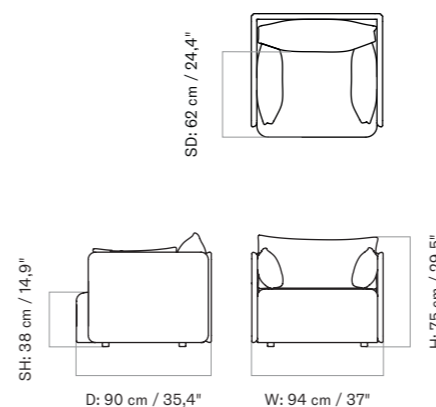
N / A

CERTIFICATIONS

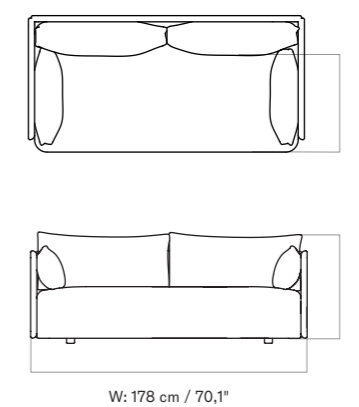
TSCA title IV compliant

Declare.

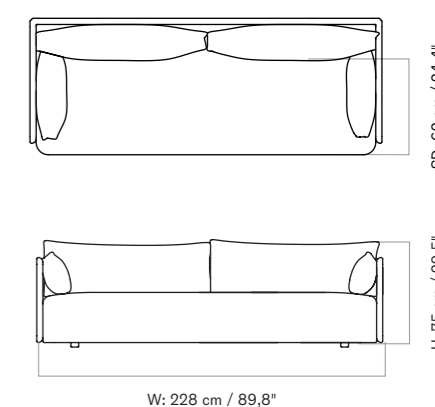
1 SEATER



2 SEATER



3 SEATER



OFFSET SOFA W/LOOSE COVER
Designed by *Norm Architects*

[BACK TO START](#)

CORE

RECOMMENDED COMBINATIONS — PRICES IN SEK
Selected combinations 6–8 weeks delivery time.

SKU	VARIANT	INCL. VAT	EXCL. VAT
<i>1 Seater — Seat with Loose cover</i>			
9852001	 OFFSET SOFA, 1 SEATER W/LOOSE COVER, AUDO COTLIN, OAT	25.595,00	20.476,00
9852002	 OFFSET SOFA, 1 SEATER W/LOOSE COVER, AUDO COTLIN, WHEAT	24.095,00	19.276,00
9852003	 OFFSET SOFA, 1 SEATER W/LOOSE COVER, AUDO COTLIN, POPPY SEED	25.595,00	20.476,00
<i>2 Seater — Seat with Loose cover</i>			
9853001	 OFFSET SOFA, 2 SEATER W/LOOSE COVER, AUDO COTLIN, OAT	30.295,00	24.236,00
9853002	 OFFSET SOFA, 2 SEATER W/LOOSE COVER, AUDO COTLIN, WHEAT	28.895,00	23.116,00
9853003	 OFFSET SOFA, 2 SEATER W/LOOSE COVER, AUDO COTLIN, POPPY SEED	30.295,00	24.236,00
<i>3 Seater — Seat with Loose cover</i>			
9854001	 OFFSET SOFA, 3 SEATER W/LOOSE COVER, AUDO COTLIN, OAT	34.195,00	27.356,00
9854002	 OFFSET SOFA, 3 SEATER W/LOOSE COVER, AUDO COTLIN, WHEAT	34.195,00	27.356,00
9854003	 OFFSET SOFA, 3 SEATER W/LOOSE COVER, AUDO COTLIN, POPPY SEED	34.195,00	27.356,00

ÉCHASSE VASE, size *large*, material *amber glass / bronzed brass*, designer *Theresa Rand*
MIMOIDES PILLOW, size *60x60*, material *birch*, designer *Mentze Ottebstein + Rosholm*
OFFSET SOFA, 1-SEATER W/LOOSE COVER, textile *Audo Cotlin*, fabric *wheat*, designer *Norm Architects*



OFFSET LOOSE COVER ONLY
Designed by *Norm Architects*

CORE

Designed by Norm Architects, the Offset Loose Cover introduces increased longevity, functionality and versatility to the Offset collection, with a removable and washable exterior crafted from a custom-made cotton and linen blend textile. Only available for Offset Sofa with Loose Cover.



PRODUCT OPTIONS

1 Seater



2 Seater



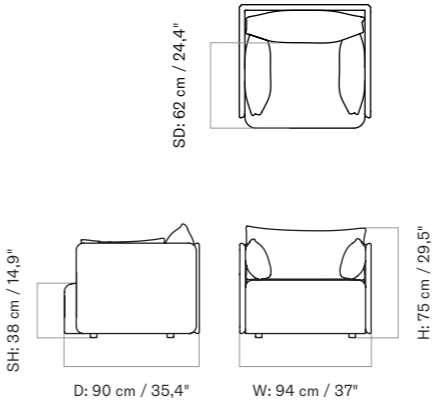
3 Seater



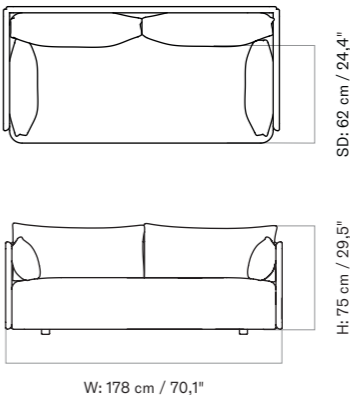
TECHNICAL SPECIFICATIONS

COLLI	WEIGHT	TEST	CERTIFICATIONS
1	1 Seater: 4,3 kg / 9,5 lb 2 Seater: 5,7 Kg / 12,5 lb 3 Seater: 6,4 kg / 14,1 lb	N / A	TSCA title IV compliant Declare.

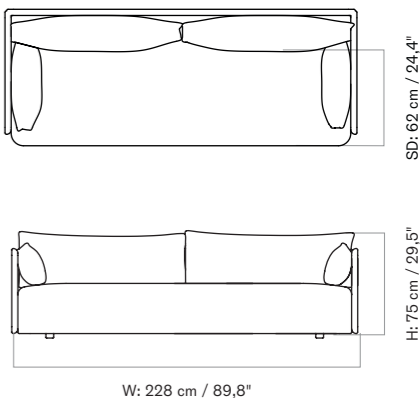
1 SEATER



2 SEATER



3 SEATER



CORE

RECOMMENDED COMBINATIONS — PRICES IN SEK
Selected combinations 6–8 weeks delivery time.

SKU	VARIANT	INCL. VAT	EXCL. VAT
<i>1 Seater — Offset Loose cover only</i>			
9852010	 OFFSET LOOSE COVER, 1 SEATER, AUDO COTLIN, OAT	6.395,00	5.116,00
9852011	 OFFSET LOOSE COVER, 1 SEATER, AUDO COTLIN, WHEAT	6.395,00	5.116,00
9852012	 OFFSET LOOSE COVER, 1 SEATER, AUDO COTLIN, POPPY SEED	6.395,00	5.116,00
<i>2 Seater — Offset Loose cover only</i>			
9853010	 OFFSET LOOSE COVER, 2 SEATER, AUDO COTLIN, OAT	9.995,00	7.996,00
9853011	 OFFSET LOOSE COVER, 2 SEATER, AUDO COTLIN, WHEAT	9.995,00	7.996,00
9853012	 OFFSET LOOSE COVER, 2 SEATER, AUDO COTLIN, POPPY SEED	9.995,00	7.996,00
<i>3 Seater — Offset Loose cover only</i>			
9854010	 OFFSET LOOSE COVER, 3 SEATER, AUDO COTLIN, OAT	11.195,00	8.956,00
9854011	 OFFSET LOOSE COVER, 3 SEATER, AUDO COTLIN, WHEAT	11.195,00	8.956,00
9854012	 OFFSET LOOSE COVER, 3 SEATER, AUDO COTLIN, POPPY SEED	11.195,00	8.956,00

OFFSET SOFA, 1-SEATER W/LOOSE COVER, textile *Audo Cotlin*, fabric *wheat*, designer *Norm Architects*
 OFFSET SOFA, 3-SEATER W/LOOSE COVER, textile *Audo Cotlin*, fabric *wheat*, designer *Norm Architects*
 HOUKIME RUG, material *beige*, designer *Nina Bruun*
 ANDROGYNE LOUNGE TABLE, material *walnut / walnut*, designer *Danielle Siggerud*
 REVERSE TABLE LAMP, designer *Aleksandar Lazic*
 MIMOIDES PILLOW, size *60x60*, material *birch*, designer *Mentze Ottebstein + Rosholm*



TEAROOM SOFA

Designed by *Nick Ross*

[BACK TO START](#)

CORE

Upholstered sofa with Black MDF base.

PRODUCT OPTIONS

Seat



WITH UPHOLSTERY

Spec options

Available in fabrics from our upholstery programme.
Standard lead times apply.

For custom upholstery, please refer to the guiding
textile/leather consumption:
COM: 4,6 m / 5,06 yds

Prices excl. custom upholstery are equal to *Price Category 1
Textile or Leather*. Contact Sales support for approval of custom
upholstery and to place your order.

The above textile consumption is only valid for textile rolls with a width equal to
or greater than 140 cm. For smaller textile rolls, please contact Sales Support for
guidance. For textile with pattern, please expect a higher usage for correct pattern
fitting. Please contact Sales Support for guidance.

TECHNICAL SPECIFICATIONS

COLLI

1

WEIGHT

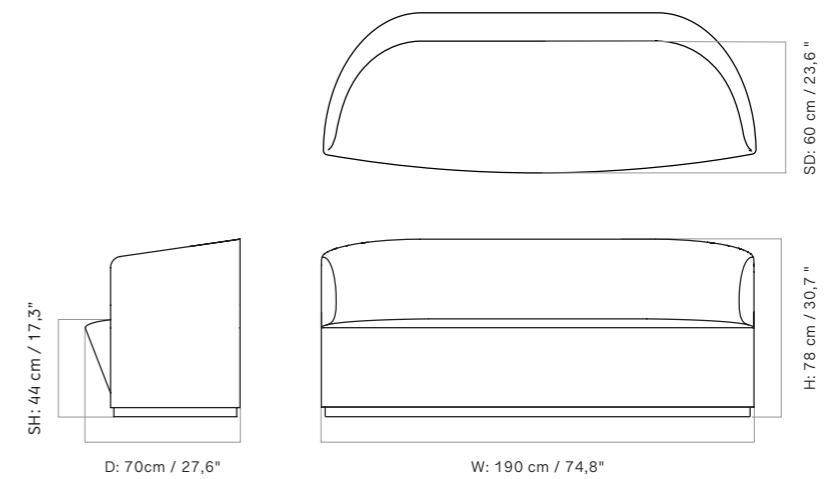
28 kg / 61,7"

TEST

N / A

CERTIFICATIONS

TSCA title IV compliant



TEAROOM SOFA
Designed by *Nick Ross*

[BACK TO START](#)

CORE

SPEC OPTIONS — PRICES IN SEK
Selected combinations 6–8 weeks delivery time.

SKU	VARIANT	EXCL. VAT
9602020	<i>Price Category 0</i> Audo Bouclé, Audo	29.116,00
9602001	<i>Price Category 1</i> Barnum Bouclé, Audo / Champion, JAB / Illusion, Nevotex / Hot Madison, JAB / Maple, Kvadrat / Remix 3, Kvadrat / Re-wool, Kvadrat	34.076,00
9602002	<i>Price Category 2</i> Canvas 2, Kvadrat / Clay, Kvadrat, Sahco / Colline 2, Kvadrat / Fiord 2, Kvadrat / Hallingdal 65, Kvadrat / Moss, Kvadrat, Sahco / Reflect, Kvadrat / Savanna, Kvadrat / Steelcut 2, Kvadrat / Steelcut Trio 3, Kvadrat	39.036,00
9602003	<i>Price Category 3</i> Arctic, JAB / Safire, Kvadrat, Sahco / Vidar 4, Kvadrat, Sahco / Zero, Kvadrat, Sahco	42.876,00
9602008	<i>Price Category 4</i> Doppiopanama, Dedar / Grand Mohair, Danish Art Weaving / Lupo, Dedar	47.676,00



TEAROOM SOFA, HIGH BACK
Designed by *Nick Ross*

CORE

The high back version of the Tearoom Sofa offers moments of quiet contemplation in busy spaces. Expressive and elegant, the secluded, foam-filled furniture piece rests on a wooden base for a natural contrast to the upholstered seat.



PRODUCT OPTIONS

Seat



WITH UPHOLSTERY

Spec options

Available in fabrics from our upholstery programme. Standard lead times apply.

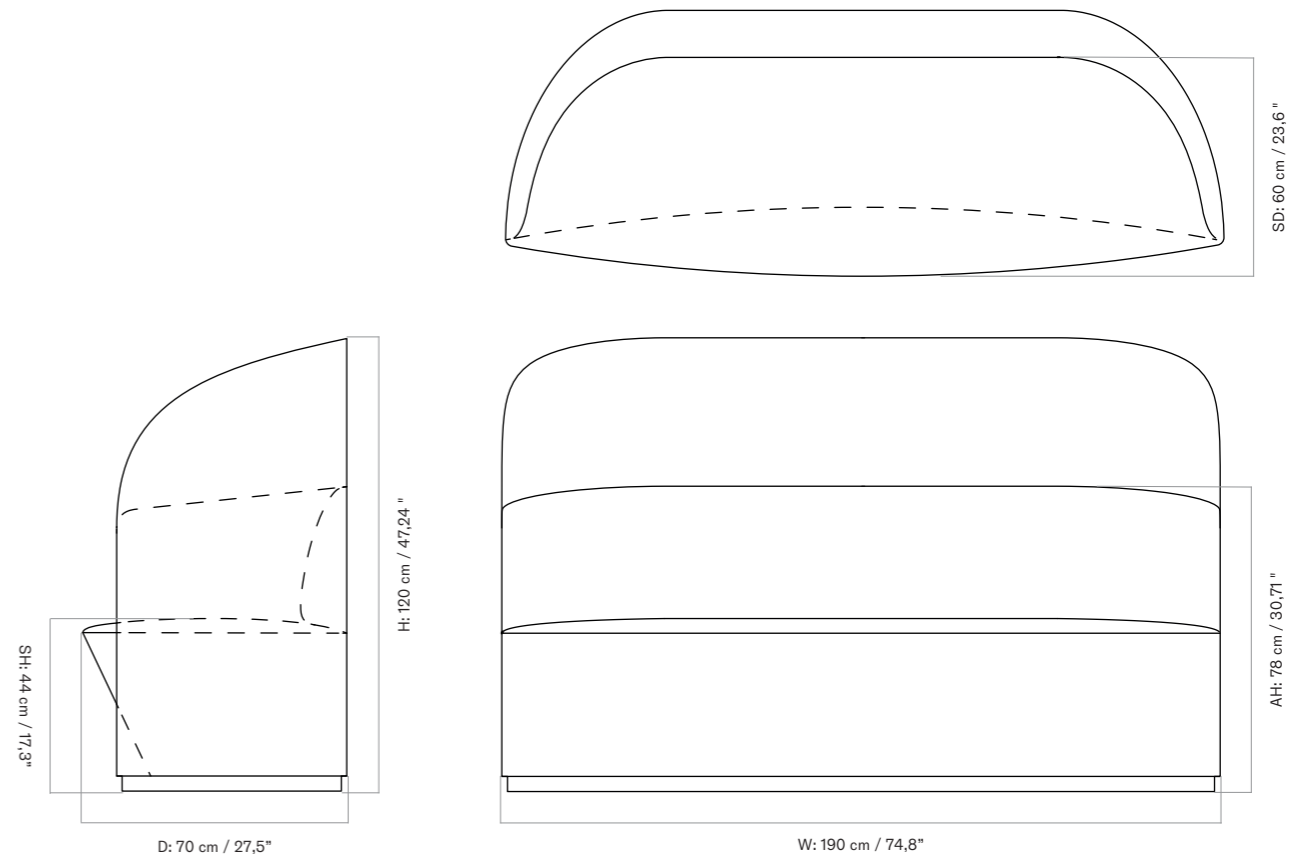
For custom upholstery, please refer to the guiding textile/leather consumption:
COM: 7,4 m / 8,14 yds

Prices excl. custom upholstery are equal to *Price Category 1 Textile* or *Leather*. Contact Sales support for approval of custom upholstery and to place your order.

The above textile consumption is only valid for textile rolls with a width equal to or greater than 140 cm. For smaller textile rolls, please contact Sales Support for guidance. For textile with pattern, please expect a higher usage for correct pattern fitting. Please contact Sales Support for guidance.

TECHNICAL SPECIFICATIONS

COLLI	WEIGHT	TEST	CERTIFICATIONS
1	54 kg / 119,05 lb	N / A	TSCA title IV compliant





TEAROOM SOFA, HIGH BACK
Designed by *Nick Ross*

[BACK TO START](#)

CORE

SPEC OPTIONS — PRICES IN SEK
Selected combinations 6–8 weeks delivery time.

SKU	VARIANT	EXCL. VAT
9607000	<i>Price Category 0</i> Audo Bouclé, Audo	33.516,00
9607001	<i>Price Category 1</i> Barnum Bouclé, Audo / Champion, JAB / Illusion, Nevotex / Hot Madison, JAB / Maple, Kvadrat / Remix 3, Kvadrat / Re-wool, Kvadrat	38.476,00
9607002	<i>Price Category 2</i> Canvas 2, Kvadrat / Clay, Kvadrat, Sahco / Colline 2, Kvadrat / Fiord 2, Kvadrat / Hallingdal 65, Kvadrat / Moss, Kvadrat, Sahco / Reflect, Kvadrat / Savanna, Kvadrat / Steelcut 2, Kvadrat / Steelcut Trio 3, Kvadrat	43.356,00
9607003	<i>Price Category 3</i> Arctic, JAB / Safire, Kvadrat, Sahco / Vidar 4, Kvadrat, Sahco / Zero, Kvadrat, Sahco	48.396,00
9607004	<i>Price Category 4</i> Doppiopanama, Dedar / Grand Mohair, Danish Art Weaving / Lupo, Dedar	52.076,00



TEAROOM SOFA, HIGH BACK W/POWER OUTLET
Designed by *Nick Ross*

[BACK TO START](#)

CORE

The high back version of the Tearoom Sofa offers moments of quiet contemplation in busy spaces. Expressive and elegant, the secluded, foam-filled furniture piece rests on a wooden base for a natural contrast to the upholstered seat. The addition of a USB-C port and power socket at the base makes it a practical spot for work as well as play.

PRODUCT OPTIONS

Seat



WITH UPHOLSTERY

Spec options

Available in fabrics from our upholstery programme. Standard lead times apply.

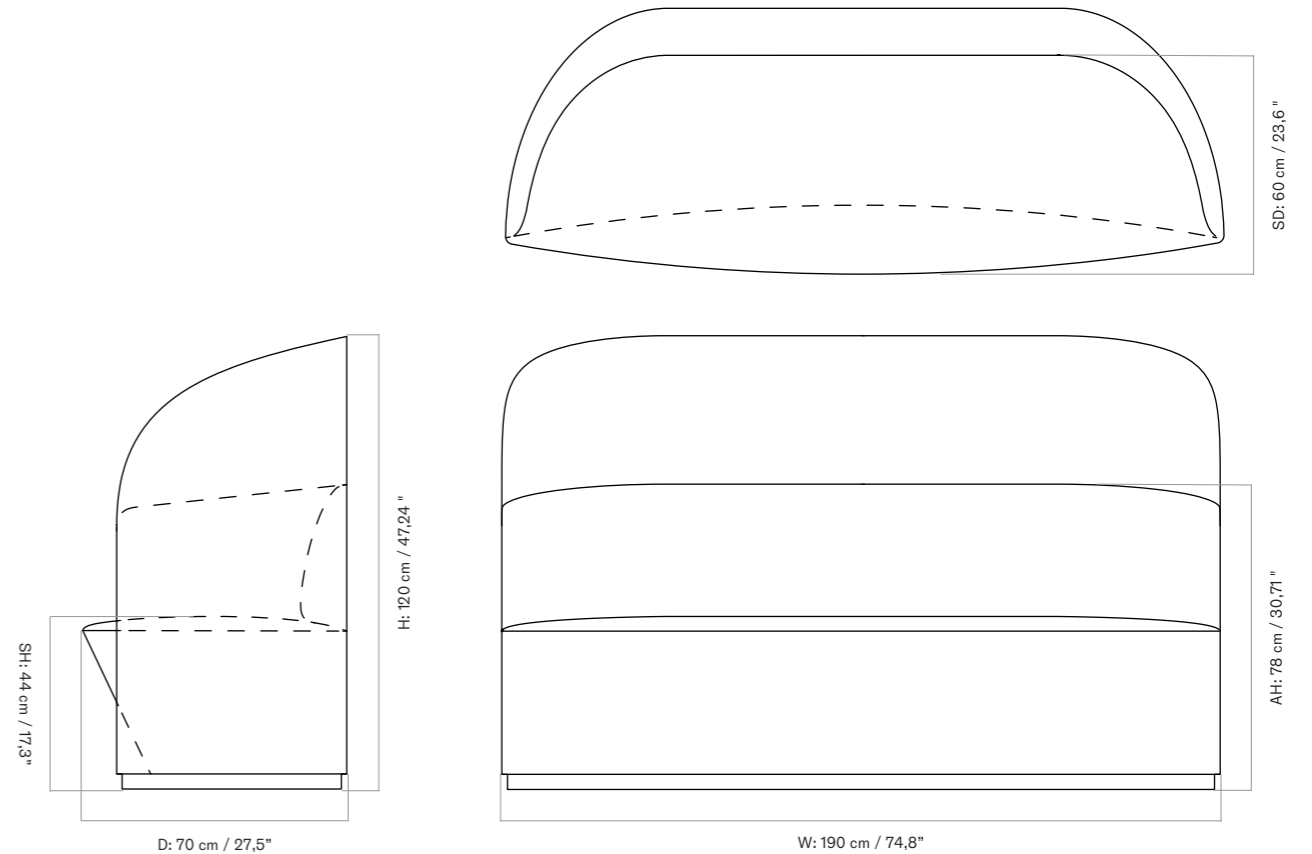
For custom upholstery, please refer to the guiding textile/leather consumption:
COM: 7,4 m / 8,14 yds

Prices excl. custom upholstery are equal to *Price Category 1 Textile* or *Leather*. Contact Sales support for approval of custom upholstery and to place your order.

The above textile consumption is only valid for textile rolls with a width equal to or greater than 140 cm. For smaller textile rolls, please contact Sales Support for guidance. For textile with pattern, please expect a higher usage for correct pattern fitting. Please contact Sales Support for guidance.

TECHNICAL SPECIFICATIONS

COLLI	WEIGHT	TEST	CERTIFICATIONS
1	54 kg / 119,05 lb	N / A	TSCA title IV compliant





TEAROOM SOFA, HIGH BACK W/POWER OUTLET
Designed by *Nick Ross*

[BACK TO START](#)

CORE

SPEC OPTIONS — PRICES IN SEK
Selected combinations 6–8 weeks delivery time.

SKU	VARIANT	EXCL. VAT
9607200	<i>Price Category 0</i> Audo Bouclé, Audo	35.356,00
9607201	<i>Price Category 1</i> Barnum Bouclé, Audo / Champion, JAB / Illusion, Nevotex / Hot Madison, JAB / Maple, Kvadrat / Remix 3, Kvadrat / Re-wool, Kvadrat	40.316,00
9607202	<i>Price Category 2</i> Canvas 2, Kvadrat / Clay, Kvadrat, Sahco / Colline 2, Kvadrat / Fiord 2, Kvadrat / Hallingdal 65, Kvadrat / Moss, Kvadrat, Sahco / Reflect, Kvadrat / Savanna, Kvadrat / Steelcut 2, Kvadrat / Steelcut Trio 3, Kvadrat	45.356,00
9607203	<i>Price Category 3</i> Arctic, JAB / Safire, Kvadrat, Sahco / Vidar 4, Kvadrat, Sahco / Zero, Kvadrat, Sahco	50.316,00
9607204	<i>Price Category 4</i> Doppiopanama, Dedar / Grand Mohair, Danish Art Weaving / Lupo, Dedar	53.916,00



CAIRN POUF
Designed by *Nick Ross*

[BACK TO START](#)

CORE

A versatile interior accessory for a multitude of spaces and uses – including as a footrest, side table or extra seat – the gently tapered form of the Cairn Pouf creates an elegant silhouette. Designed for Audo by Nick Ross.

PRODUCT OPTIONS

Pouf Ø60



Pouf oval



Spec options

Available in fabrics from our upholstery programme. Standard lead times apply.

For custom upholstery, please refer to the guiding textile/leather consumption:

COM: 1,8 m / 1,98 yds

COL: 1,9 m² / 2,09 sqft

Prices excl. custom upholstery are equal to *Price Category 1 Textile or Leather*. Contact Sales support for approval of custom upholstery and to place your order.

The above textile consumption is only valid for textile rolls with a width equal to or greater than 140 cm. For smaller textile rolls, please contact Sales Support for guidance. For textile with pattern, please expect a higher usage for correct pattern fitting. Please contact Sales Support for guidance.

TECHNICAL SPECIFICATIONS

COLLI

1

WEIGHT

Ø60: 7,5 kg / 16,53 lb
Oval: 10,5 kg / 23,15 lb

TEST

N / A

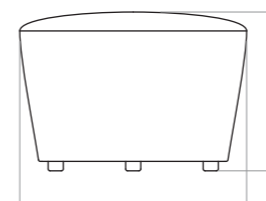
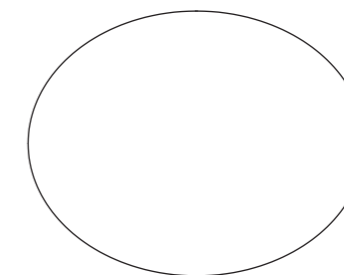
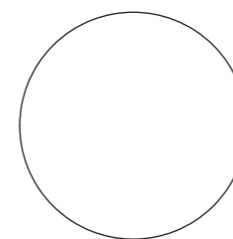
CERTIFICATIONS

TSCA title IV compliant



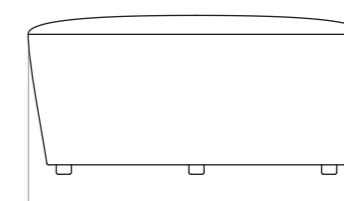
POUF Ø60

POUF OVAL

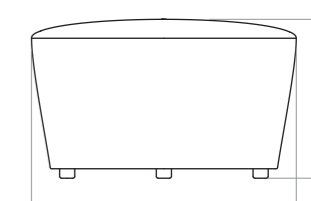


Ø: 60 cm / 23,6"

H: 42 cm / 16,5"



W: 89 cm / 35"



D: 70 cm / 27,6"

H: 42 cm / 16,5"



CAIRN POUF
Designed by *Nick Ross*

[BACK TO START](#)

CORE

SPEC OPTIONS — PRICES IN SEK
Selected combinations 6–8 weeks delivery time.

SKU	VARIANT	EXCL. VAT
<i>Pouf Ø60</i>		
9601000	<i>Price Category 0</i> Audo Bouclé, Audo	5.676,00
9601001	<i>Price Category 1</i> Barnum Bouclé, Audo / Champion, JAB / Illusion, Nevotex / Hot Madison, JAB / Maple, Kvadrat / Remix 3, Kvadrat / Re-wool, Kvadrat	6.876,00
9601002	<i>Price Category 2</i> Canvas 2, Kvadrat / Clay, Kvadrat, Sahco / Colline 2, Kvadrat / Fiord 2, Kvadrat / Hallingdal 65, Kvadrat / Moss, Kvadrat, Sahco / Reflect, Kvadrat / Savanna, Kvadrat / Steelcut 2, Kvadrat / Steelcut Trio 3, Kvadrat	8.636,00
9601003	<i>Price Category 3</i> Arctic, JAB / Safire, Kvadrat, Sahco / Vidar 4, Kvadrat, Sahco / Zero, Kvadrat, Sahco	9.756,00
9601004	<i>Price Category 4</i> Doppiopanama, Dedar / Grand Mohair, Danish Art Weaving / Lupo, Dedar	10.316,00
<i>Pouf oval</i>		
9603000	<i>Price Category 0</i> Audo Bouclé, Audo	7.996,00
9603001	<i>Price Category 1</i> Barnum Bouclé, Audo / Champion, JAB / Illusion, Nevotex / Hot Madison, JAB / Maple, Kvadrat / Remix 3, Kvadrat / Re-wool, Kvadrat	9.196,00
9603002	<i>Price Category 2</i> Canvas 2, Kvadrat / Clay, Kvadrat, Sahco / Colline 2, Kvadrat / Fiord 2, Kvadrat / Hallingdal 65, Kvadrat / Moss, Kvadrat, Sahco / Reflect, Kvadrat / Savanna, Kvadrat / Steelcut 2, Kvadrat / Steelcut Trio 3, Kvadrat	10.316,00
9603003	<i>Price Category 3</i> Arctic, JAB / Safire, Kvadrat, Sahco / Vidar 4, Kvadrat, Sahco / Zero, Kvadrat, Sahco	12.076,00
9603004	<i>Price Category 4</i> Doppiopanama, Dedar / Grand Mohair, Danish Art Weaving / Lupo, Dedar	12.556,00



INGEBORG, SOFA

Designed by *Flemming Lassen*

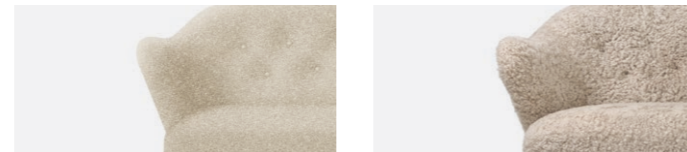
[BACK TO START](#)

CORE

The Ingeborg Sofa is a beautiful and expressive 2,5 pers. lounge sofa, that originally is designed in 1940 by Flemming Lassen. The charming and elegant sofa, that is named after Flemming Lassen's mother, Ingeborg Winding, has the characteristically curvy armrests, a buttoned back and legs made from hardwood. Ingeborg Sofa is based on the same design expression as lounge chair Ingeborg, and together the two now form a matching duo. The elegant size and design of the sofa is beautiful to look at from all angles, which allows you to place the sofa anywhere in the room without taking to much space. The elegant, curvy armrests add character to the design and give the impression of a warm embrace. The lounge sofa was initially presented at the Cabinetmakers' Guild Competition in 1940, which took place at the Museum of Industrial Art in Copenhagen. The lounge sofa was originally designed specifically for a new estate, but has occasionally been spotted at different auctions, which indicated that a small number of sofas was produced. Audo is therefore pleased to be able to reintroduce this beautiful and iconic design by Flemming Lassen.

PRODUCT OPTIONS

Seat



WITH UPHOLSTERY

WITH SHEEPSKIN

Base



NATURAL OAK

DARK STAINED OAK

Spec options

Available in fabrics from our upholstery programme. Standard lead times apply.

For custom upholstery, please refer to the guiding textile/leather consumption:
 COM: 4,1 m / 4,51 yds
 COL: 9 m² / 96,93 sqft

Prices excl. custom upholstery are equal to Price Category 1 Textile or Leather. Contact Sales support for approval of custom upholstery and to place your order.

The above textile consumption is only valid for textile rolls with a width equal to or greater than 140 cm. For smaller textile rolls, please contact Sales Support for guidance. For textile with pattern, please expect a higher usage for correct pattern fitting. Please contact Sales Support for guidance.

TECHNICAL SPECIFICATIONS

COLLI

1

WEIGHT

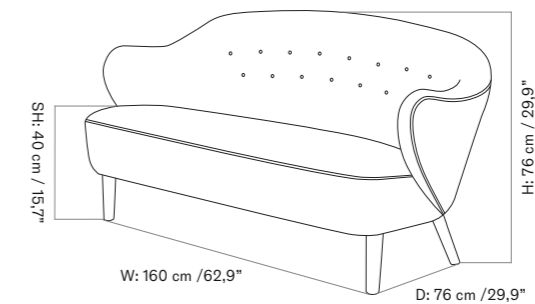
65 kg / 143,3 lb

TEST

ANSI Bifma and EN standard

CERTIFICATIONS

N / A





INGEBORG, SOFA
Designed by *Flemming Lassen*

[BACK TO START](#)

CORE

SPEC OPTIONS — PRICES IN SEK
6–8 weeks delivery time

SKU	VARIANT	EXCL. VAT
<i>Textile</i>		
1500500	<i>Price Category 0</i> Audo Bouclé, Audo	33.276,00
1500501	<i>Price Category 1</i> Barnum Bouclé, Audo / Champion, JAB / Illusion, Nevotex / Hot Madison, JAB / Maple, Kvadrat / Remix 3, Kvadrat / Re-wool, Kvadrat	37.836,00
1500502	<i>Price Category 2</i> Canvas 2, Kvadrat / Clay, Kvadrat, Sahco / Colline 2, Kvadrat / Fiord 2, Kvadrat / Hallingdal 65, Kvadrat / Moss, Kvadrat, Sahco / Reflect, Kvadrat / Savanna, Kvadrat / Steelcut 2, Kvadrat / Steelcut Trio 3, Kvadrat	41.756,00
1500503	<i>Price Category 3</i> Arctic, JAB / Safire, Kvadrat, Sahco / Vidar 4, Kvadrat, Sahco / Zero, Kvadrat, Sahco	46.236,00
1500504	<i>Price Category 4</i> Doppiopanama, Dedar / Grand Mohair, Danish Art Weaving / Lupo, Dedar	50.156,00
<i>Leather</i>		
1500505	<i>Price Category 1</i> Dakar, Nevotex / Envy, Sørensen Leather / Ultra, Sørensen Leather	47.436,00
1500506	<i>Price Category 2</i> Dunes, Sørensen Leather / Nuance, Sørensen Leather	54.156,00
1500507	<i>Price Category 3</i> Royal Nubuck, Sørensen Leather / Sheepskin, Skandilock	59.276,00

SPEC OPTIONS — PRICES IN SEK
6–8 weeks delivery time

SKU	VARIANT	EXCL. VAT
<i>Textile — Vegetal leather buttons</i>		
1500600	<i>Price Category 0</i> Audo Bouclé, Audo	33.276,00
1500601	<i>Price Category 1</i> Barnum Bouclé, Audo / Champion, JAB / Illusion, Nevotex / Hot Madison, JAB / Maple, Kvadrat / Remix 3, Kvadrat / Re-wool, Kvadrat	37.836,00
1500602	<i>Price Category 2</i> Canvas 2, Kvadrat / Clay, Kvadrat, Sahco / Colline 2, Kvadrat / Fiord 2, Kvadrat / Hallingdal 65, Kvadrat / Moss, Kvadrat, Sahco / Reflect, Kvadrat / Savanna, Kvadrat / Steelcut 2, Kvadrat / Steelcut Trio 3, Kvadrat	41.756,00
1500603	<i>Price Category 3</i> Arctic, JAB / Safire, Kvadrat, Sahco / Vidar 4, Kvadrat, Sahco / Zero, Kvadrat, Sahco	45.116,00
1500604	<i>Price Category 4</i> Doppiopanama, Dedar / Grand Mohair, Danish Art Weaving / Lupo, Dedar	50.156,00
<i>Leather — Vegetal leather buttons</i>		
1500605	<i>Price Category 1</i> Dakar, Nevotex / Envy, Sørensen Leather / Ultra, Sørensen Leather	47.436,00
1500606	<i>Price Category 2</i> Dunes, Sørensen Leather / Nuance, Sørensen Leather	54.156,00
1500607	<i>Price Category 3</i> Royal Nubuck, Sørensen Leather / Sheepskin, Skandilock	59.276,00

VILHELM, SOFA
Designed by *Flemming Lassen*

ICONS

Vilhelm is a beautiful padded three-seater sofa designed by Flemming Lassen in 1935. A sofa must be able to function in several ways. It should invite calm and contemplation. Create a private space you can hide in and at the same time invite to life and play. It must be able to withstand sitting on the backrest or on the armrests and then it must be able to stand in the middle of the room if you want to. In addition to being aesthetically beautiful and harmonious, the design makes absolute sense in relation to these parameters.

PRODUCT OPTIONS

Seat



WITH UPHOLSTERY



WITH SHEEPSKIN

Base



NATURAL OAK



DARK STAINED OAK

Spec options

Available in fabrics from our upholstery programme. Standard lead times apply.

For custom upholstery, please refer to the guiding textile/leather consumption:
COM: 7,6 m / 8,36 yds
COL: 17,8 m² / 191,706 sqft

Prices excl. custom upholstery are equal to Price Category 1 Textile or Leather. Contact Sales support for approval of custom upholstery and to place your order.

The above textile consumption is only valid for textile rolls with a width equal to or greater than 140 cm. For smaller textile rolls, please contact Sales Support for guidance. For textile with pattern, please expect a higher usage for correct pattern fitting. Please contact Sales Support for guidance.

TECHNICAL SPECIFICATIONS

COLLI

1

WEIGHT

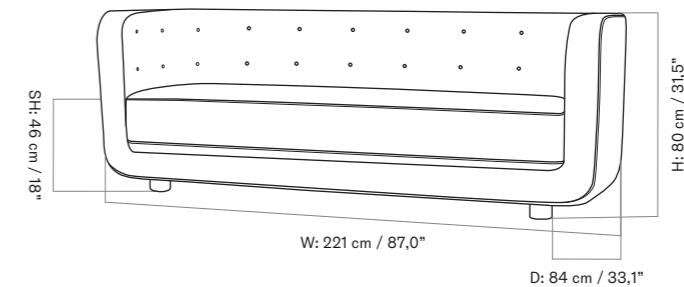
101 kg / 222,67 lb

TEST

N / A

CERTIFICATIONS

N / A



VILHELM, SOFA
Designed by *Flemming Lassen*

[BACK TO START](#)

ICONS

SPEC OPTIONS — PRICES IN SEK
6–8 weeks delivery time

SKU	VARIANT	EXCL. VAT
<i>Textile</i>		
1500700	<i>Price Category 0</i> Audo Bouclé, Audo	43.756,00
1500701	<i>Price Category 1</i> Barnum Bouclé, Audo / Champion, JAB / Illusion, Nevotex / Hot Madison, JAB / Maple, Kvadrat / Remix 3, Kvadrat / Re-wool, Kvadrat	48.876,00
1500702	<i>Price Category 2</i> Canvas 2, Kvadrat / Clay, Kvadrat, Sahco / Colline 2, Kvadrat / Fiord 2, Kvadrat / Hallingdal 65, Kvadrat / Moss, Kvadrat, Sahco / Reflect, Kvadrat / Savanna, Kvadrat / Steelcut 2, Kvadrat / Steelcut Trio 3, Kvadrat	54.636,00
1500703	<i>Price Category 3</i> Arctic, JAB / Safire, Kvadrat, Sahco / Vidar 4, Kvadrat, Sahco / Zero, Kvadrat, Sahco	59.836,00
1500704	<i>Price Category 4</i> Doppiopanama, Dedar / Grand Mohair, Danish Art Weaving / Lupo, Dedar	65.516,00
<i>Leather</i>		
1500705	<i>Price Category 1</i> Dakar, Nevotex / Envy, Sørensen Leather / Ultra, Sørensen Leather	120.796,00
1500706	<i>Price Category 2</i> Dunes, Sørensen Leather / Nuance, Sørensen Leather	136.876,00
1500707	<i>Price Category 3</i> Royal Nubuck, Sørensen Leather / Sheepskin, Skandilock	151.356,00

SPEC OPTIONS — PRICES IN SEK
6–8 weeks delivery time

SKU	VARIANT	EXCL. VAT
<i>Textile — Vegetal leather buttons</i>		
1500800	<i>Price Category 0</i> Audo Bouclé, Audo	43.756,00
1500801	<i>Price Category 1</i> Barnum Bouclé, Audo / Champion, JAB / Illusion, Nevotex / Hot Madison, JAB / Maple, Kvadrat / Remix 3, Kvadrat / Re-wool, Kvadrat	49.436,00
1500802	<i>Price Category 2</i> Canvas 2, Kvadrat / Clay, Kvadrat, Sahco / Colline 2, Kvadrat / Fiord 2, Kvadrat / Hallingdal 65, Kvadrat / Moss, Kvadrat, Sahco / Reflect, Kvadrat / Savanna, Kvadrat / Steelcut 2, Kvadrat / Steelcut Trio 3, Kvadrat	54.636,00
1500803	<i>Price Category 3</i> Arctic, JAB / Safire, Kvadrat, Sahco / Vidar 4, Kvadrat, Sahco / Zero, Kvadrat, Sahco	58.156,00
1500804	<i>Price Category 4</i> Doppiopanama, Dedar / Grand Mohair, Danish Art Weaving / Lupo, Dedar	65.196,00
<i>Leather — Vegetal leather buttons</i>		
1500805	<i>Price Category 1</i> Dakar, Nevotex / Envy, Sørensen Leather / Ultra, Sørensen Leather	120.796,00
1500806	<i>Price Category 2</i> Dunes, Sørensen Leather / Nuance, Sørensen Leather	136.876,00
1500807	<i>Price Category 3</i> Royal Nubuck, Sørensen Leather / Sheepskin, Skandilock	151.356,00



MINGLE, SOFA

Designed by *Flemming Lassen*

[BACK TO START](#)

CORE

The Mingle sofa was designed in 1935 by architect Flemming Lassen (1902-1984) and was presented at The Copenhagen Cabinetmakers' Guild Competition in the same year. It was subsequently praised for its qualities as a small but elegant sofa in the professional journal "The Architect". Flemming Lassen loved to travel, and he was often inspired by his journeys throughout Europe. He was very taken with both Italy and France, and had a burning desire to tour those countries on his motorcycle. Flemming Lassen wanted to create a sofa made for conversation with a comfort that invited people to stay seated and talk together for long periods of time. The armrests were designed to encircle the sitters, generating intimacy and transforming the sofa into a cosy place to relax. Flemming Lassen took inspiration from both French elegance and modern Italian style, and transferred the trends and his own ideas to a small, upholstered sofa called Mingle.

PRODUCT OPTIONS

Seat



WITH UPHOLSTERY



WITH SHEEPSKIN

Base



NATURAL OAK



DARK STAINED OAK

Spec options

Available in fabrics from our upholstery programme. Standard lead times apply.

For custom upholstery, please refer to the guiding textile/leather consumption:
COM: 4,2 m / 4,62 yds
COL: 7,5 m² / 80,775 sqft

Prices excl. custom upholstery are equal to Price Category 1 Textile or Leather. Contact Sales support for approval of custom upholstery and to place your order.

The above textile consumption is only valid for textile rolls with a width equal to or greater than 140 cm. For smaller textile rolls, please contact Sales Support for guidance. For textile with pattern, please expect a higher usage for correct pattern fitting. Please contact Sales Support for guidance.

TECHNICAL SPECIFICATIONS

COLLI

1

WEIGHT

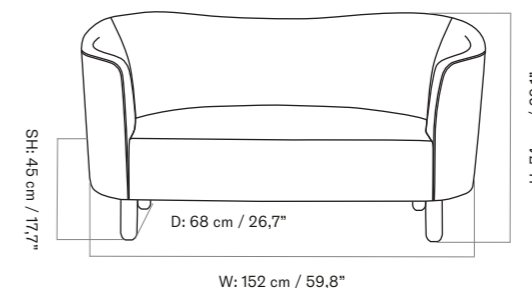
50 kg / 110,23 lb

TEST

N / A

CERTIFICATIONS

N / A





MINGLE, SOFA
Designed by *Flemming Lassen*

[BACK TO START](#)

CORE

SPEC OPTIONS — PRICES IN SEK
6–8 weeks delivery time

SKU	VARIANT	EXCL. VAT
<i>Textile</i>		
1501300	<i>Price Category 0</i> Audo Bouclé, Audo	34.956,00
1501301	<i>Price Category 1</i> Barnum Bouclé, Audo / Champion, JAB / Illusion, Nevotex / Hot Madison, JAB / Maple, Kvadrat / Remix 3, Kvadrat / Re-wool, Kvadrat	38.876,00
1501302	<i>Price Category 2</i> Canvas 2, Kvadrat / Clay, Kvadrat, Sahco / Colline 2, Kvadrat / Fiord 2, Kvadrat / Hallingdal 65, Kvadrat / Moss, Kvadrat, Sahco / Reflect, Kvadrat / Savanna, Kvadrat / Steelcut 2, Kvadrat / Steelcut Trio 3, Kvadrat	42.876,00
1501303	<i>Price Category 3</i> Arctic, JAB / Safire, Kvadrat, Sahco / Vidar 4, Kvadrat, Sahco / Zero, Kvadrat, Sahco	45.116,00
1501304	<i>Price Category 4</i> Doppiopanama, Dedar / Grand Mohair, Danish Art Weaving / Lupo, Dedar	47.436,00
<i>Leather</i>		
1501307	<i>Price Category 3</i> Sheepskin, Skandilock	73.276,00



MINGLE SOFA, material *natural oak* / *Sheepskin Moonlight*, designer *Flemming Lassen*



CONSTANCE, SOFA

Designed by *Flemming Lassen*

[BACK TO START](#)

ICONS

The Constance series is a classic Flemming Lassen design. Curvy shapes. Inviting and comfortable. Projecting side pieces and buttons in the back. Classic and modern qualities that will never go out of fashion. It works well in the middle of a room, as Flemming Lassen's furniture is always equally beautiful from every angle. It was a mantra for his work that furniture should be pulled away from the wall to be placed as a sculpture in a room.



PRODUCT OPTIONS

Seat



WITH UPHOLSTERY

Base



NATURAL OAK



WALNUT

Spec options

Available in fabrics from our upholstery programme. Standard lead times apply.

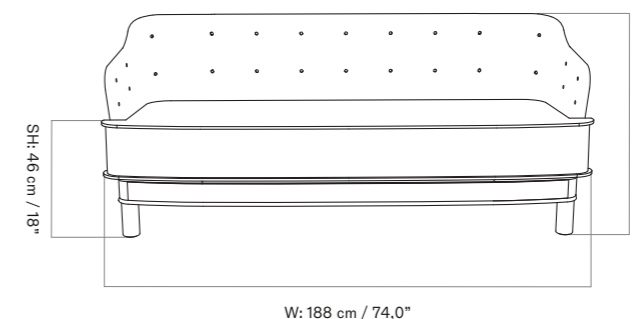
For custom upholstery, please refer to the guiding textile consumption:
COM: 7 m / 7,7 yds

Prices excl. custom upholstery are equal to Price Category 1 Textile or Leather. Contact Sales support for approval of custom upholstery and to place your order.

The above textile consumption is only valid for textile rolls with a width equal to or greater than 140 cm. For smaller textile rolls, please contact Sales Support for guidance. For textile with pattern, please expect a higher usage for correct pattern fitting. Please contact Sales Support for guidance.

TECHNICAL SPECIFICATIONS

COLLI	WEIGHT	TEST	CERTIFICATIONS
1	54 kg / 119,05 lb	ANSI Bifma and EN standard	N / A





CONSTANCE, SOFA
Designed by *Flemming Lassen*

[BACK TO START](#)

ICONS

SPEC OPTIONS — PRICES IN SEK
6–8 weeks delivery time

SKU	VARIANT	EXCL. VAT
<i>Textile</i>		
1501500	<i>Price Category 0</i> Audo Bouclé, Audo	45.996,00
1501501	<i>Price Category 1</i> Barnum Bouclé, Audo / Champion, JAB / Illusion, Nevotex / Hot Madison, JAB / Maple, Kvadrat / Remix 3, Kvadrat / Re-wool, Kvadrat	48.316,00
1501502	<i>Price Category 2</i> Canvas 2, Kvadrat / Clay, Kvadrat, Sahco / Colline 2, Kvadrat / Fiord 2, Kvadrat / Hallingdal 65, Kvadrat / Moss, Kvadrat, Sahco / Reflect, Kvadrat / Savanna, Kvadrat / Steelcut 2, Kvadrat / Steelcut Trio 3, Kvadrat	50.636,00
1501503	<i>Price Category 3</i> Arctic, JAB / Safire, Kvadrat, Sahco / Vidar 4, Kvadrat, Sahco / Zero, Kvadrat, Sahco	52.956,00
1501504	<i>Price Category 4</i> Doppiopanama, Dedar / Grand Mohair, Danish Art Weaving / Lupo, Dedar	55.196,00

SPEC OPTIONS — PRICES IN SEK
6–8 weeks delivery time

SKU	VARIANT	EXCL. VAT
<i>Textile</i>		
1501700	<i>Price Category 0</i> Audo Bouclé, Audo	45.996,00
1501701	<i>Price Category 1</i> Barnum Bouclé, Audo / Champion, JAB / Illusion, Nevotex / Hot Madison, JAB / Maple, Kvadrat / Remix 3, Kvadrat / Re-wool, Kvadrat	48.316,00
1501702	<i>Price Category 2</i> Canvas 2, Kvadrat / Clay, Kvadrat, Sahco / Colline 2, Kvadrat / Fiord 2, Kvadrat / Hallingdal 65, Kvadrat / Moss, Kvadrat, Sahco / Reflect, Kvadrat / Savanna, Kvadrat / Steelcut 2, Kvadrat / Steelcut Trio 3, Kvadrat	50.636,00
1501703	<i>Price Category 3</i> Arctic, JAB / Safire, Kvadrat, Sahco / Vidar 4, Kvadrat, Sahco / Zero, Kvadrat, Sahco	52.956,00
1501720	<i>Price Category 4</i> Doppiopanama, Dedar / Grand Mohair, Danish Art Weaving / Lupo, Dedar	57.516,00



PAGODE SOFA
Designed by *Tove & Edvard Kindt-Larsen*

[BACK TO START](#)

ICONS

Designed by Tove and Edvard Kindt-Larsen, the inventive, curvilinear shape of the Pagode Sofa is as relevant today as it was when first designed in 1956. Looking to Asian architecture and temples for inspiration, the elegant design features beautifully crafted V-shaped wooden legs and a low seat with distinctive armrests and a high back to cradle and support.

PRODUCT OPTIONS

Base



NATURAL OAK

WALNUT

Spec options

Available in fabrics from our upholstery programme. Standard lead times apply.

For custom upholstery, please refer to the guiding textile consumption:
COM: 6,4 m / 6,9 yds

Prices excl. custom upholstery are equal to Price Category 1 Textile or Leather. Contact Sales support for approval of custom upholstery and to place your order.

The above textile consumption is only valid for textile rolls with a width equal to or greater than 140 cm. For smaller textile rolls, please contact Sales Support for guidance. For textile with pattern, please expect a higher usage for correct pattern fitting. Please contact Sales Support for guidance.

TECHNICAL SPECIFICATIONS

COLLI

1

WEIGHT

40 kg / 88,1 lb

TEST

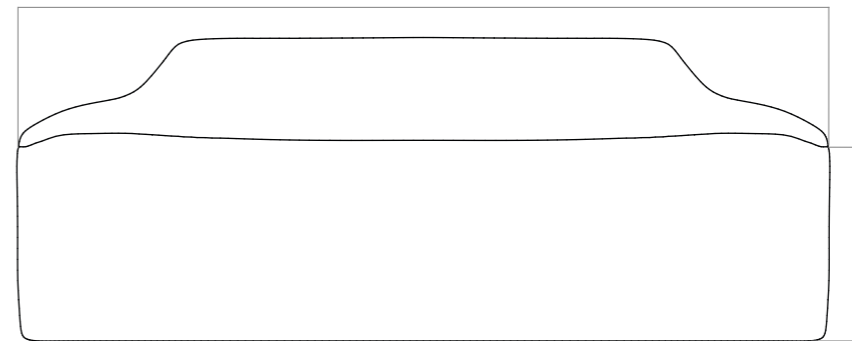
N / A

CERTIFICATIONS

TSCA title IV compliant
Crafted from FSC
certified wood

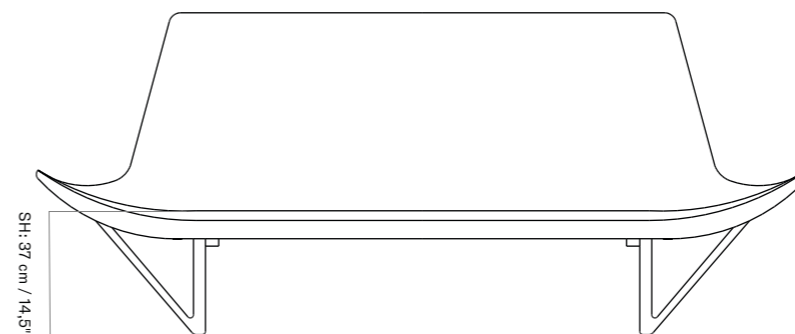


W: 202 cm / 79,5"

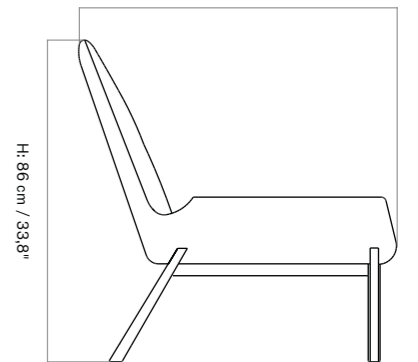


SD: 50 cm / 19,6"

D: 78 cm / 30,7"



SH: 37 cm / 14,5"



H: 86 cm / 33,8"



PAGODE SOFA
Designed by *Tove & Edvard Kindt-Larsen*

[BACK TO START](#)

ICONS

SPEC OPTIONS — PRICES IN SEK
6–8 weeks delivery time

SKU	VARIANT	EXCL. VAT
	<i>Textile</i>	
1216000	<i>Price Category 0</i> Audo Bouclé, Audo	46.217,78
1216001	<i>Price Category 1</i> Barnum Bouclé, Audo / Champion, JAB / Hot Madison, JAB / Remix 3, Kvadrat / Re-wool, Kvadrat	48.706,67
1216002	<i>Price Category 2</i> Canvas 2, Kvadrat / Clay, Kvadrat, Sahco / Colline 2, Kvadrat / Fiord 2, Kvadrat / Hallingdal 65, Kvadrat / Moss, Kvadrat, Sahco / Reflect, Kvadrat / Savanna, Kvadrat / Steelcut 2, Kvadrat / Steelcut Trio 3, Kvadrat	51.106,67
1216003	<i>Price Category 3</i> Arctic, JAB / Safire, Kvadrat, Sahco / Vidar 4, Kvadrat, Sahco / Zero, Kvadrat, Sahco	53.595,56
1216004	<i>Price Category 4</i> Doppiopanama, Dedar / Grand Mohair, Danish Art Weaving / Lupo, Dedar	55.995,56



RADIOHUS SOFA P2
Designed by *Vilhelm Lauritzen*

[BACK TO START](#)

ICONS

Designed in 1936 for the Danish Broadcasting Corporation's Radiohuset, the Radiohus Sofa is one of Vilhem Lauritzen's most important works. An icon of Danish Functionalism from the hand of one of Denmark's most lauded architects, its elegant wooden frame holds a beautifully upholstered seat and back that are shaped to support the body as it sits.

PRODUCT OPTIONS

Base



NATURAL OAK

WALNUT

Spec options

Available in fabrics from our upholstery programme. Standard lead times apply.

For custom upholstery, please refer to the guiding textile consumption:
COM: 5,9 m / 6,5 yds

Prices excl. custom upholstery are equal to Price Category 1 Textile or Leather. Contact Sales support for approval of custom upholstery and to place your order.

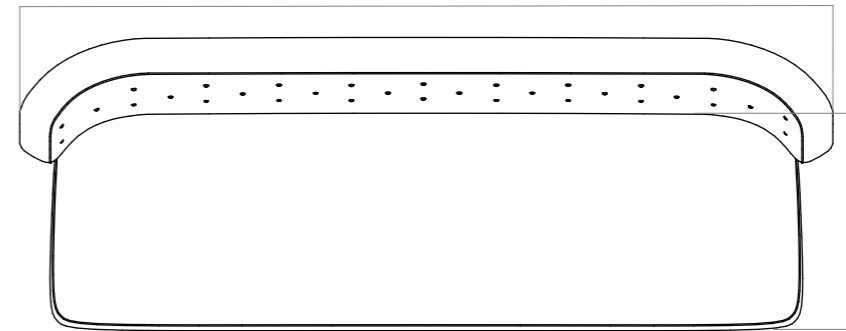
The above textile consumption is only valid for textile rolls with a width equal to or greater than 140 cm. For smaller textile rolls, please contact Sales Support for guidance. For textile with pattern, please expect a higher usage for correct pattern fitting. Please contact Sales Support for guidance.

TECHNICAL SPECIFICATIONS

COLLI	WEIGHT	TEST	CERTIFICATIONS
1	45 kg / 99,2 lb	N / A	TSCA title IV compliant Crafted from FSC certified wood

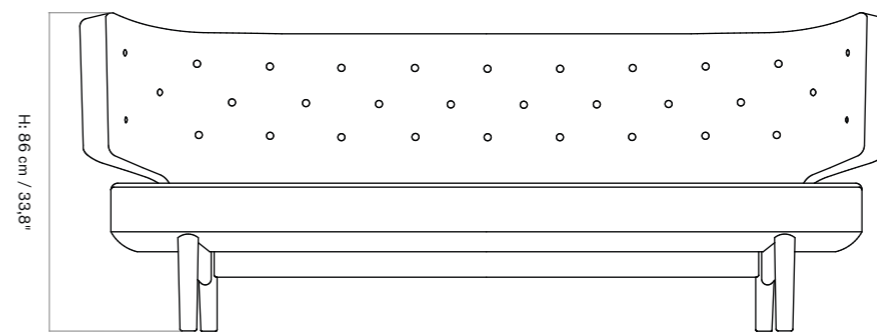


W: 215 cm / 84,6"

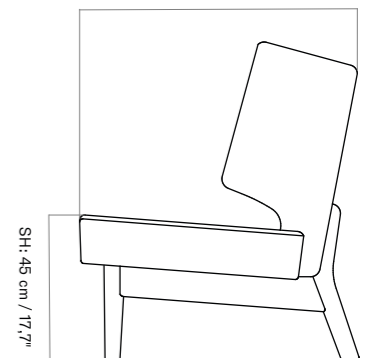


SD: 58 cm / 22,8"

D: 77 cm / 30,3"



H: 86 cm / 33,8"



SH: 45 cm / 17,7"

RADIOHUS SOFA P2
Designed by *Vilhelm Lauritzen*

[BACK TO START](#)

ICONS

SPEC OPTIONS — PRICES IN SEK
6–8 weeks delivery time

SKU	VARIANT	EXCL. VAT
<i>Textile — Oak base</i>		
1218000	<i>Price Category 0</i> Audo Bouclé, Audo	52.351,11
1218001	<i>Price Category 1</i> Barnum Bouclé, Audo / Champion, JAB / Illusion, Nevotex / Hot Madison, JAB / Remix 3, Kvadrat / Re-wool, Kvadrat	54.928,89
1218002	<i>Price Category 2</i> Canvas 2, Kvadrat / Clay, Kvadrat, Sahco / Colline 2, Kvadrat / Fiord 2, Kvadrat / Hallingdal 65, Kvadrat / Moss, Kvadrat, Sahco / Reflect, Kvadrat / Savanna, Kvadrat / Steelcut 2, Kvadrat / Steelcut Trio 3, Kvadrat	57.506,67
1218003	<i>Price Category 3</i> Arctic, JAB / Safire, Kvadrat, Sahco / Vidar 4, Kvadrat, Sahco / Zero, Kvadrat, Sahco	59.995,56
1218004	<i>Price Category 4</i> Doppiopanama, Dedar / Grand Mohair, Danish Art Weaving / Lupo, Dedar	62.573,33
<i>Textile — Walnut base</i>		
1219000	<i>Price Category 0</i> Audo Bouclé, Audo	54.928,89
1219001	<i>Price Category 1</i> Barnum Bouclé, Audo / Champion, JAB / Illusion, Nevotex / Hot Madison, JAB / Remix 3, Kvadrat / Re-wool, Kvadrat	57.506,67
1219002	<i>Price Category 2</i> Canvas 2, Kvadrat / Clay, Kvadrat, Sahco / Colline 2, Kvadrat / Fiord 2, Kvadrat / Hallingdal 65, Kvadrat / Moss, Kvadrat, Sahco / Reflect, Kvadrat / Savanna, Kvadrat / Steelcut 2, Kvadrat / Steelcut Trio 3, Kvadrat	59.995,56
1219003	<i>Price Category 3</i> Arctic, JAB / Safire, Kvadrat, Sahco / Vidar 4, Kvadrat, Sahco / Zero, Kvadrat, Sahco	62.573,33
1219004	<i>Price Category 4</i> Doppiopanama, Dedar / Grand Mohair, Danish Art Weaving / Lupo, Dedar	65.151,11

SPEC OPTIONS — PRICES IN SEK
6–8 weeks delivery time

SKU	VARIANT	EXCL. VAT
<i>Textile — Oak base — Buttons Upholstered With Dakar 0250</i>		
1222100	<i>Price Category 0</i> Audo Bouclé, Audo	53.684,44
1222101	<i>Price Category 1</i> Barnum Bouclé, Audo / Champion, JAB / Illusion, Nevotex / Hot Madison, JAB / Remix 3, Kvadrat / Re-wool, Kvadrat	56.262,22
1222102	<i>Price Category 2</i> Canvas 2, Kvadrat / Clay, Kvadrat, Sahco / Colline 2, Kvadrat / Fiord 2, Kvadrat / Hallingdal 65, Kvadrat / Moss, Kvadrat, Sahco / Reflect, Kvadrat / Savanna, Kvadrat / Steelcut 2, Kvadrat / Steelcut Trio 3, Kvadrat	58.840,00
1222103	<i>Price Category 3</i> Arctic, JAB / Safire, Kvadrat, Sahco / Vidar 4, Kvadrat, Sahco / Zero, Kvadrat, Sahco	61.328,89
1222104	<i>Price Category 4</i> Doppiopanama, Dedar / Grand Mohair, Danish Art Weaving / Lupo, Dedar	63.906,67
<i>Textile — Walnut base — Buttons Upholstered With Dakar 0250</i>		
1222200	<i>Price Category 0</i> Audo Bouclé, Audo	56.262,22
1222201	<i>Price Category 1</i> Barnum Bouclé, Audo / Champion, JAB / Illusion, Nevotex / Hot Madison, JAB / Remix 3, Kvadrat / Re-wool, Kvadrat	58.840,00
1222202	<i>Price Category 2</i> Canvas 2, Kvadrat / Clay, Kvadrat, Sahco / Colline 2, Kvadrat / Fiord 2, Kvadrat / Hallingdal 65, Kvadrat / Moss, Kvadrat, Sahco / Reflect, Kvadrat / Savanna, Kvadrat / Steelcut 2, Kvadrat / Steelcut Trio 3, Kvadrat	61.328,89
1222203	<i>Price Category 3</i> Arctic, JAB / Safire, Kvadrat, Sahco / Vidar 4, Kvadrat, Sahco / Zero, Kvadrat, Sahco	63.906,67
1222204	<i>Price Category 4</i> Doppiopanama, Dedar / Grand Mohair, Danish Art Weaving / Lupo, Dedar	66.484,44



RADIOHUS SOFA P3
Designed by *Vilhelm Lauritzen*

[BACK TO START](#)

ICONS

Designed in 1936 for the Danish Broadcasting Corporation's Radiohuset, the Radiohus Sofa is one of Vilhem Lauritzen's most important works. An icon of Danish Functionalism from the hand of one of Denmark's most lauded architects, its elegant wooden frame holds a beautifully upholstered seat and back that are shaped to support the body as it sits.

PRODUCT OPTIONS

Base



NATURAL OAK

WALNUT

Spec options

Available in fabrics from our upholstery programme. Standard lead times apply.

For custom upholstery, please refer to the guiding textile consumption:
COM: 6,5 m / 7,1 yds

Prices excl. custom upholstery are equal to Price Category 1 Textile or Leather. Contact Sales support for approval of custom upholstery and to place your order.

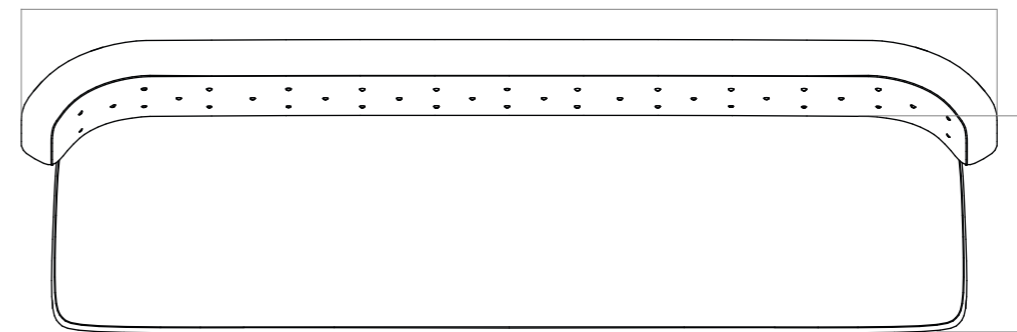
The above textile consumption is only valid for textile rolls with a width equal to or greater than 140 cm. For smaller textile rolls, please contact Sales Support for guidance. For textile with pattern, please expect a higher usage for correct pattern fitting. Please contact Sales Support for guidance.

TECHNICAL SPECIFICATIONS

COLLI	WEIGHT	TEST	CERTIFICATIONS
1	55 kg / 121,2 lb	N / A	TSCA title IV compliant Crafted from FSC certified wood

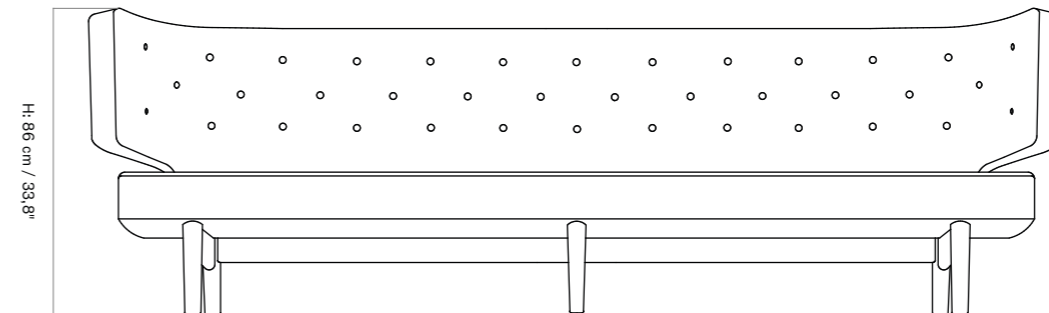


W: 258 cm / 101,5"



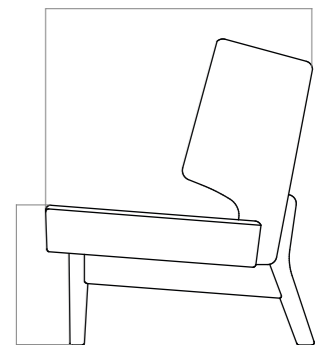
SD: 58 cm / 22,8"

D: 77 cm / 30,3"



H: 86 cm / 33,8"

SH: 45 cm / 17,7"



RADIOHUS SOFA P3
Designed by *Vilhelm Lauritzen*

[BACK TO START](#)

ICONS

SPEC OPTIONS — PRICES IN SEK
6–8 weeks delivery time

SKU	VARIANT	EXCL. VAT
<i>Textile — Oak base</i>		
1221000	<i>Price Category 0</i> Audo Bouclé, Audo	58.840,00
1221001	<i>Price Category 1</i> Barnum Bouclé, Audo / Champion, JAB / Illusion, Nevotex / Hot Madison, JAB / Remix 3, Kvadrat / Re-wool, Kvadrat	61.328,89
1221002	<i>Price Category 2</i> Canvas 2, Kvadrat / Clay, Kvadrat, Sahco / Colline 2, Kvadrat / Fiord 2, Kvadrat / Hallingdal 65, Kvadrat / Moss, Kvadrat, Sahco / Reflect, Kvadrat / Savanna, Kvadrat / Steelcut 2, Kvadrat / Steelcut Trio 3, Kvadrat	63.906,67
1221003	<i>Price Category 3</i> Arctic, JAB / Safire, Kvadrat, Sahco / Vidar 4, Kvadrat, Sahco / Zero, Kvadrat, Sahco	66.484,44
1221004	<i>Price Category 4</i> Doppiopanama, Dedar / Grand Mohair, Danish Art Weaving / Lupo, Dedar	69.062,22
<i>Textile — Walnut base</i>		
1222000	<i>Price Category 0</i> Audo Bouclé, Audo	61.328,89
1222001	<i>Price Category 1</i> Barnum Bouclé, Audo / Champion, JAB / Illusion, Nevotex / Hot Madison, JAB / Remix 3, Kvadrat / Re-wool, Kvadrat	63.906,67
1222002	<i>Price Category 2</i> Canvas 2, Kvadrat / Clay, Kvadrat, Sahco / Colline 2, Kvadrat / Fiord 2, Kvadrat / Hallingdal 65, Kvadrat / Moss, Kvadrat, Sahco / Reflect, Kvadrat / Savanna, Kvadrat / Steelcut 2, Kvadrat / Steelcut Trio 3, Kvadrat	66.484,44
1222003	<i>Price Category 3</i> Arctic, JAB / Safire, Kvadrat, Sahco / Vidar 4, Kvadrat, Sahco / Zero, Kvadrat, Sahco	69.062,22
1222004	<i>Price Category 4</i> Doppiopanama, Dedar / Grand Mohair, Danish Art Weaving / Lupo, Dedar	71.551,11

SPEC OPTIONS — PRICES IN SEK
6–8 weeks delivery time

SKU	VARIANT	EXCL. VAT
<i>Textile — Oak base — Buttons Upholstered With Dakar 0250</i>		
1222300	<i>Price Category 0</i> Audo Bouclé, Audo	59.995,56
1222301	<i>Price Category 1</i> Barnum Bouclé, Audo / Champion, JAB / Illusion, Nevotex / Hot Madison, JAB / Remix 3, Kvadrat / Re-wool, Kvadrat	62.573,33
1222302	<i>Price Category 2</i> Canvas 2, Kvadrat / Clay, Kvadrat, Sahco / Colline 2, Kvadrat / Fiord 2, Kvadrat / Hallingdal 65, Kvadrat / Moss, Kvadrat, Sahco / Reflect, Kvadrat / Savanna, Kvadrat / Steelcut 2, Kvadrat / Steelcut Trio 3, Kvadrat	65.151,11
1222303	<i>Price Category 3</i> Arctic, JAB / Safire, Kvadrat, Sahco / Vidar 4, Kvadrat, Sahco / Zero, Kvadrat, Sahco	67.728,89
1222304	<i>Price Category 4</i> Doppiopanama, Dedar / Grand Mohair, Danish Art Weaving / Lupo, Dedar	70.217,78
<i>Textile — Walnut base — Buttons Upholstered With Dakar 0250</i>		
1222400	<i>Price Category 0</i> Audo Bouclé, Audo	62.573,33
1222401	<i>Price Category 1</i> Barnum Bouclé, Audo / Champion, JAB / Illusion, Nevotex / Hot Madison, JAB / Remix 3, Kvadrat / Re-wool, Kvadrat	65.151,11
1222402	<i>Price Category 2</i> Canvas 2, Kvadrat / Clay, Kvadrat, Sahco / Colline 2, Kvadrat / Fiord 2, Kvadrat / Hallingdal 65, Kvadrat / Moss, Kvadrat, Sahco / Reflect, Kvadrat / Savanna, Kvadrat / Steelcut 2, Kvadrat / Steelcut Trio 3, Kvadrat	67.728,89
1222403	<i>Price Category 3</i> Arctic, JAB / Safire, Kvadrat, Sahco / Vidar 4, Kvadrat, Sahco / Zero, Kvadrat, Sahco	70.217,78
1222404	<i>Price Category 4</i> Doppiopanama, Dedar / Grand Mohair, Danish Art Weaving / Lupo, Dedar	72.795,56

EAVE 75

 Eave Modular Pouf, 75 →

EAVE 86

 Eave Modular Sofa, 86 →

 Eave Modular Sofa, 86
Corner, 129 →

 Eave Modular Sofa, 86
Corner, 172 →

 Eave Modular Sofa, 86
Open End →

 Eave Modular Sofa, 86
Chaise Longue →

EAVE 96

 Eave Modular Sofa, 96 →

 Eave Modular Sofa, 96
Corner, 144 →

 Eave Modular Sofa, 96
Corner, 192 →

 Eave Modular Sofa, 96
Open End →

 Eave Modular Sofa, 96
Chaise Longue →

EAVE DINING SOFA

 Eave Dining Sofa →

EAVE MODULAR POUF, 75

Designed by *Norm Architects*

[BACK TO START](#)

CORE

Module-based, foam-filled sofa with corner, open and pouf sections in textile upholstery and set on a wooden spring frame. All modules can be connected using the pre-mounted brackets.

PRODUCT OPTIONS



Spec options

Available in fabrics from our upholstery programme. Standard lead times apply.

For custom upholstery, please refer to the guiding textile/leather consumption:
COM: 1,7 m / 1,87 yds

Prices excl. custom upholstery are equal to Price Category 1 Textile or Leather. Contact sales support to place your order.

The above textile consumption is only valid for textile rolls with a width equal to or greater than 140 cm. For smaller textile rolls, please contact Sales Support for guidance. For textile with pattern, please expect a higher usage for correct pattern fitting. Please contact Sales Support for guidance.

TECHNICAL SPECIFICATIONS

COLLI

1

WEIGHT

19 kg / 41,9 lb

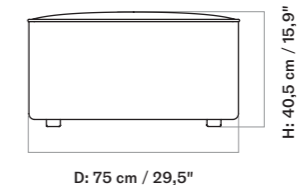
TEST

N / A

CERTIFICATIONS

TSCA title VI compliant

Declare.



CORE

SPEC OPTIONS — PRICES IN SEK
6–8 weeks delivery time

SKU	VARIANT	EXCL. VAT
	<i>Pouf, 75</i>	
9964120	<i>Price Category 0</i> Audo Bouclé, Audo	7.516,00
9964101	<i>Price Category 1</i> Barnum Bouclé, Audo / Champion, JAB / Illusion, Nevotex / Hot Madison, JAB / Maple, Kvadrat / Remix 3, Kvadrat / Re-wool, Kvadrat	8.796,00
9964102	<i>Price Category 2</i> Canvas 2, Kvadrat / Clay, Kvadrat, Sahco / Colline 2, Kvadrat / Fiord 2, Kvadrat / Hallingdal 65, Kvadrat / Moss, Kvadrat, Sahco / Reflect, Kvadrat / Savanna, Kvadrat / Steelcut 2, Kvadrat / Steelcut Trio 3, Kvadrat	11.036,00
9964103	<i>Price Category 3</i> Arctic, JAB / Safire, Kvadrat, Sahco / Vidar 4, Kvadrat, Sahco / Zero, Kvadrat, Sahco	12.076,00
9964108	<i>Price Category 4</i> Doppiapanama, Dedar / Lupo, Dedar	13.116,00



EAVE MODULAR SOFA, 86
Designed by *Norm Architects*

CORE

Module-based, foam-filled sofa with corner, open and pouf sections in textile upholstery and set on a wooden spring frame. All modules can be connected using the pre-mounted brackets.



PRODUCT OPTIONS

Corner



Open section



Pouf



Spec options

Available in fabrics from our upholstery programme. Standard lead times apply.

For custom upholstery, please refer to the guiding textile/leather consumption:

- COM Corner: 3,5 m / 3,85 yds
- COM Open section: 2,7 m / 2,97 yds
- COM Pouf: 2,6 m / 2,86 yds

Prices excl. custom upholstery are equal to Price Category 1 Textile or Leather. Contact sales support to place your order.

The above textile consumption is only valid for textile rolls with a width equal to or greater than 140 cm. For smaller textile rolls, please contact Sales Support for guidance. For textile with pattern, please expect a higher usage for correct pattern fitting. Please contact Sales Support for guidance.

TECHNICAL SPECIFICATIONS

COLLI

1

WEIGHT

Corner, 86:
32 kg / 70,5 lb

Open section, 86:
24 kg / 52,9 lb

Pouf, 86:
22 kg / 48,5 lb

TEST

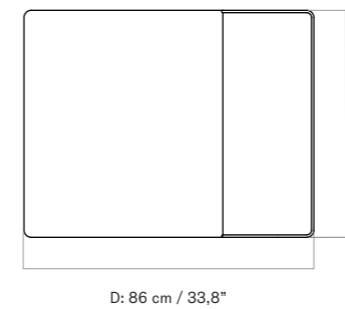
N / A

CERTIFICATIONS

TSCA title VI compliant

Declare.

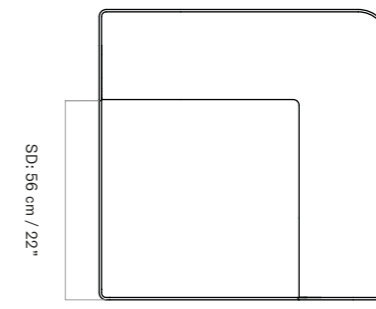
Open section



D: 86 cm / 33,8"

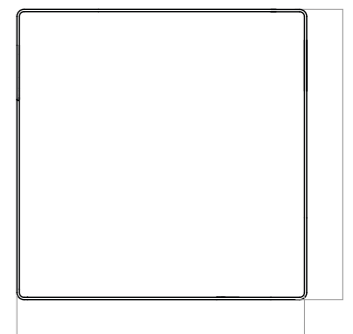
D: 75 cm / 29,5"

Corner



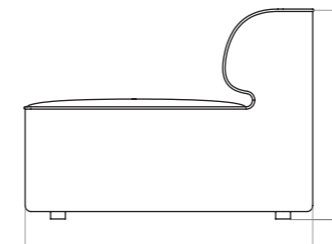
SD: 56 cm / 22"

Pouf



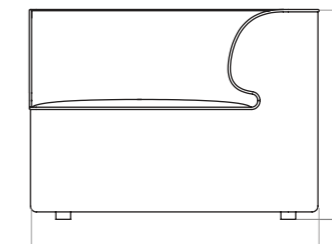
D: 86 cm / 33,8"

D: 86 cm / 33,8"



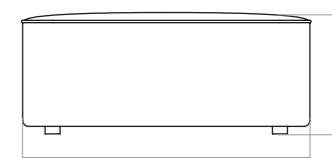
H: 70 cm / 27,5"

H: 70 cm / 27,5"



H: 70 cm / 27,5"

H: 70 cm / 27,5"



SH: 40,5 cm / 15,9"

SH: 40,5 cm / 15,9"

EAVE MODULAR SOFA, 86
Designed by *Norm Architects*

[BACK TO START](#)

CORE

SPEC OPTIONS — PRICES IN SEK
6–8 weeks delivery time

SKU	VARIANT	EXCL. VAT
<i>Corner, 86</i>		
9961120	<i>Price Category 0</i> Audo Bouclé, Audo	13.356,00
9961101	<i>Price Category 1</i> Barnum Bouclé, Audo / Champion, JAB / Illusion, Nevotex / Hot Madison, JAB / Maple, Kvadrat / Remix 3, Kvadrat / Re-wool, Kvadrat	15.436,00
9961102	<i>Price Category 2</i> Canvas 2, Kvadrat / Clay, Kvadrat, Sahco / Colline 2, Kvadrat / Fiord 2, Kvadrat / Hallingdal 65, Kvadrat / Moss, Kvadrat, Sahco / Reflect, Kvadrat / Savanna, Kvadrat / Steelcut 2, Kvadrat / Steelcut Trio 3, Kvadrat	19.356,00
9961103	<i>Price Category 3</i> Arctic, JAB / Safire, Kvadrat, Sahco / Vidar 4, Kvadrat, Sahco / Zero, Kvadrat, Sahco	21.436,00
9961108	<i>Price Category 4</i> Doppiopanama, Dedar / Lupo, Dedar	23.516,00
<i>Open Section, 86</i>		
9962120	<i>Price Category 0</i> Audo Bouclé, Audo	10.156,00
9962101	<i>Price Category 1</i> Barnum Bouclé, Audo / Champion, JAB / Illusion, Nevotex / Hot Madison, JAB / Maple, Kvadrat / Remix 3, Kvadrat / Re-wool, Kvadrat	11.756,00
9962102	<i>Price Category 2</i> Canvas 2, Kvadrat / Clay, Kvadrat, Sahco / Colline 2, Kvadrat / Fiord 2, Kvadrat / Hallingdal 65, Kvadrat / Moss, Kvadrat, Sahco / Reflect, Kvadrat / Savanna, Kvadrat / Steelcut 2, Kvadrat / Steelcut Trio 3, Kvadrat	14.796,00
9962103	<i>Price Category 3</i> Arctic, JAB / Safire, Kvadrat, Sahco / Vidar 4, Kvadrat, Sahco / Zero, Kvadrat, Sahco	16.396,00
9962108	<i>Price Category 4</i> Doppiopanama, Dedar / Lupo, Dedar	17.756,00

SPEC OPTIONS — PRICES IN SEK
6–8 weeks delivery time

SKU	VARIANT	EXCL. VAT
<i>Pouf, 86</i>		
9963120	<i>Price Category 0</i> Audo Bouclé, Audo	8.956,00
9963101	<i>Price Category 1</i> Barnum Bouclé, Audo / Champion, JAB / Illusion, Nevotex / Hot Madison, JAB / Maple, Kvadrat / Remix 3, Kvadrat / Re-wool, Kvadrat	10.076,00
9963102	<i>Price Category 2</i> Canvas 2, Kvadrat / Clay, Kvadrat, Sahco / Colline 2, Kvadrat / Fiord 2, Kvadrat / Hallingdal 65, Kvadrat / Moss, Kvadrat, Sahco / Reflect, Kvadrat / Savanna, Kvadrat / Steelcut 2, Kvadrat / Steelcut Trio 3, Kvadrat	12.476,00
9963103	<i>Price Category 3</i> Arctic, JAB / Safire, Kvadrat, Sahco / Vidar 4, Kvadrat, Sahco / Zero, Kvadrat, Sahco	13.676,00
9963108	<i>Price Category 4</i> Doppiopanama, Dedar / Lupo, Dedar	14.636,00

EAVE MODULAR SOFA 86, CORNER, 129
Designed by *Norm Architects*

[BACK TO START](#)

CORE

Taking its name from architecture, the Eave Sofa is offered in range of seating modules that combine to create a comfortable and customisable design to fit any space. A perfect blend of style and comfort.

PRODUCT OPTIONS



COLLI

1

WEIGHT

38,3 kg / 84,44 lb

TEST

N / A

CERTIFICATIONS

TSCA title VI compliant

Declare.

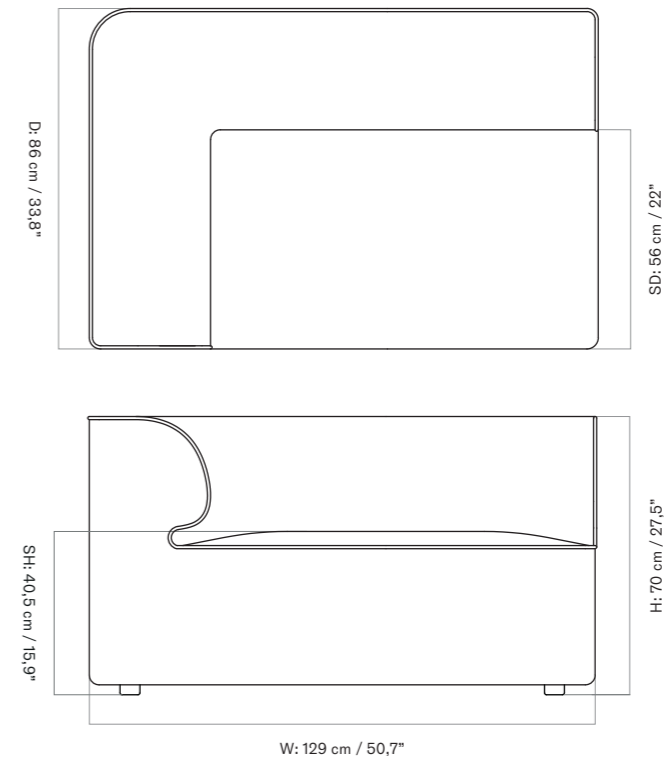
Spec options

Available in fabrics from our upholstery programme. Standard lead times apply.

For custom upholstery, please refer to the guiding textile/leather consumption:
COM: 4,5 m / 4,95 ydss

Prices excl. custom upholstery are equal to Price Category 1 Textile or Leather. Contact sales support to place your order.

The above textile consumption is only valid for textile rolls with a width equal to or greater than 140 cm. For smaller textile rolls, please contact Sales Support for guidance. For textile with pattern, please expect a higher usage for correct pattern fitting. Please contact Sales Support for guidance.



EAVE MODULAR SOFA 86, CORNER, 129
Designed by *Norm Architects*

[BACK TO START](#)

CORE

SPEC OPTIONS — PRICES IN SEK
6–8 weeks delivery time

SKU	VARIANT	EXCL. VAT
<hr/> <i>Corner 129</i> <hr/>		
9965100	<i>Price Category 0</i> Audo Bouclé, Audo	16.076,00
9965101	<i>Price Category 1</i> Barnum Bouclé, Audo / Champion, JAB / Illusion, Nevotex / Hot Madison, JAB / Maple, Kvadrat / Remix 3, Kvadrat / Re-wool, Kvadrat	18.156,00
9965102	<i>Price Category 2</i> Canvas 2, Kvadrat / Clay, Kvadrat, Sahco / Colline 2, Kvadrat / Fiord 2, Kvadrat / Hallingdal 65, Kvadrat / Moss, Kvadrat, Sahco / Reflect, Kvadrat / Savanna, Kvadrat / Steelcut 2, Kvadrat / Steelcut Trio 3, Kvadrat	20.476,00
9965103	<i>Price Category 3</i> Arctic, JAB / Safire, Kvadrat, Sahco / Vidar 4, Kvadrat, Sahco / Zero, Kvadrat, Sahco	22.796,00
9965104	<i>Price Category 4</i> Doppiapanama, Dedar / Lupo, Dedar	25.116,00

EAVE MODULAR SOFA 86, CORNER, 172
Designed by *Norm Architects*

[BACK TO START](#)

CORE

Taking its name from architecture, the Eave Sofa is offered in range of seating modules that combine to create a comfortable and customisable design to fit any space. A perfect blend of style and comfort.

PRODUCT OPTIONS



TECHNICAL SPECIFICATIONS

COLLI	WEIGHT	TEST	CERTIFICATIONS
1	48,2 kg / 106,26 lb	N / A	TSCA title VI compliant Declare.

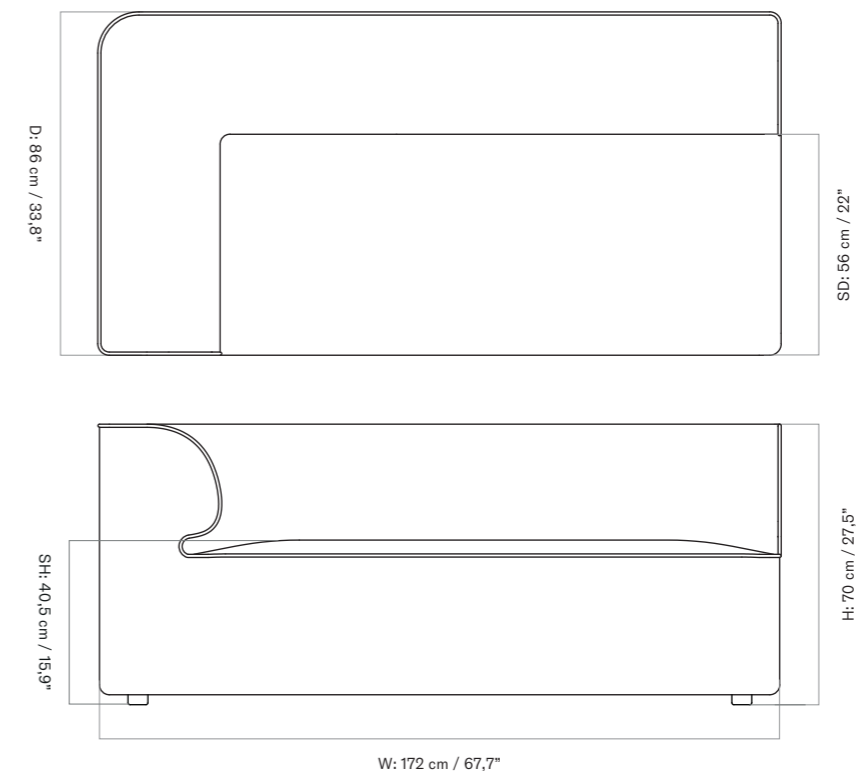
Spec options

Available in fabrics from our upholstery programme. Standard lead times apply.

For custom upholstery, please refer to the guiding textile/leather consumption:
COM: 5,3 m / 5,83 yds

Prices excl. custom upholstery are equal to Price Category 1 Textile or Leather. Contact sales support to place your order.

The above textile consumption is only valid for textile rolls with a width equal to or greater than 140 cm. For smaller textile rolls, please contact Sales Support for guidance. For textile with pattern, please expect a higher usage for correct pattern fitting. Please contact Sales Support for guidance.



EAVE MODULAR SOFA 86, CORNER, 172
Designed by *Norm Architects*

[BACK TO START](#)

CORE

SPEC OPTIONS — PRICES IN SEK
6–8 weeks delivery time

SKU	VARIANT	EXCL. VAT
<hr/>		
<i>Corner 172</i>		
<hr/>		
9966100	<i>Price Category 0</i> Audo Bouclé, Audo	18.636,00
<hr/>		
9966101	<i>Price Category 1</i> Barnum Bouclé, Audo / Champion, JAB / Illusion, Nevotex / Hot Madison, JAB / Maple, Kvadrat / Remix 3, Kvadrat / Re-wool, Kvadrat	20.716,00
<hr/>		
9966102	<i>Price Category 2</i> Canvas 2, Kvadrat / Clay, Kvadrat, Sahco / Colline 2, Kvadrat / Fiord 2, Kvadrat / Hallingdal 65, Kvadrat / Moss, Kvadrat, Sahco / Reflect, Kvadrat / Savanna, Kvadrat / Steelcut 2, Kvadrat / Steelcut Trio 3, Kvadrat	23.036,00
<hr/>		
9966103	<i>Price Category 3</i> Arctic, JAB / Safire, Kvadrat, Sahco / Vidar 4, Kvadrat, Sahco / Zero, Kvadrat, Sahco	25.276,00
<hr/>		
9966104	<i>Price Category 4</i> Doppiapanama, Dedar / Lupo, Dedar	27.596,00
<hr/>		



EAVE MODULAR SOFA 86, OPEN END
Designed by *Norm Architects*

[BACK TO START](#)

CORE

Taking its name from architecture, the Eave Sofa is offered in range of seating modules that combine to create a comfortable and customisable design to fit any space. A perfect blend of style and comfort.

PRODUCT OPTIONS



Spec options

Available in fabrics from our upholstery programme. Standard lead times apply.

For custom upholstery, please refer to the guiding textile/leather consumption:
COM: 4,8 m / 5,28 yds

Prices excl. custom upholstery are equal to Price Category 1 Textile or Leather. Contact sales support to place your order.

The above textile consumption is only valid for textile rolls with a width equal to or greater than 140 cm. For smaller textile rolls, please contact Sales Support for guidance. For textile with pattern, please expect a higher usage for correct pattern fitting. Please contact Sales Support for guidance.

TECHNICAL SPECIFICATIONS

COLLI

1

WEIGHT

33 kg / 72,75 lb

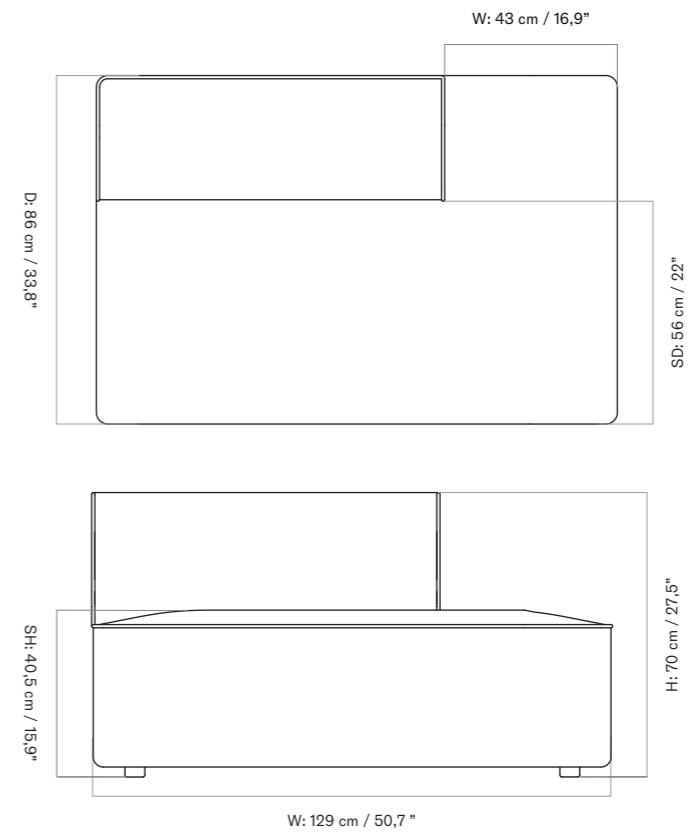
TEST

N / A

CERTIFICATIONS

TSCA title VI compliant

Declare.





EAVE MODULAR SOFA 86, OPEN END
Designed by *Norm Architects*

[BACK TO START](#)

CORE

SPEC OPTIONS — PRICES IN SEK
6–8 weeks delivery time

SKU	VARIANT	EXCL. VAT
<hr/> <i>Open end</i> <hr/>		
9967100	<i>Price Category 0</i> Audo Bouclé, Audo	15.036,00
9967101	<i>Price Category 1</i> Barnum Bouclé, Audo / Champion, JAB / Illusion, Nevotex / Hot Madison, JAB / Maple, Kvadrat / Remix 3, Kvadrat / Re-wool, Kvadrat	16.956,00
9967102	<i>Price Category 2</i> Canvas 2, Kvadrat / Clay, Kvadrat, Sahco / Colline 2, Kvadrat / Fiord 2, Kvadrat / Hallingdal 65, Kvadrat / Moss, Kvadrat, Sahco / Reflect, Kvadrat / Savanna, Kvadrat / Steelcut 2, Kvadrat / Steelcut Trio 3, Kvadrat	19.276,00
9967103	<i>Price Category 3</i> Arctic, JAB / Safire, Kvadrat, Sahco / Vidar 4, Kvadrat, Sahco / Zero, Kvadrat, Sahco	21.596,00
9967104	<i>Price Category 4</i> Doppiapanama, Dedar / Lupo, Dedar	23.916,00



EAVE MODULAR SOFA 86, CHAISE LONGUE
Designed by *Norm Architects*

[BACK TO START](#)

CORE

Taking its name from architecture, the Eave Sofa is offered in range of seating modules that combine to create a comfortable and customisable design to fit any space. A perfect blend of style and comfort.

PRODUCT OPTIONS



Spec options

Available in fabrics from our upholstery programme. Standard lead times apply.

For custom upholstery, please refer to the guiding textile/leather consumption:
COM: 4 m / 4,4 yds

Prices excl. custom upholstery are equal to Price Category 1 Textile or Leather. Contact sales support to place your order.

The above textile consumption is only valid for textile rolls with a width equal to or greater than 140 cm. For smaller textile rolls, please contact Sales Support for guidance. For textile with pattern, please expect a higher usage for correct pattern fitting. Please contact Sales Support for guidance.

TECHNICAL SPECIFICATIONS

COLLI

1

WEIGHT

37,5 kg / 82,67 lb

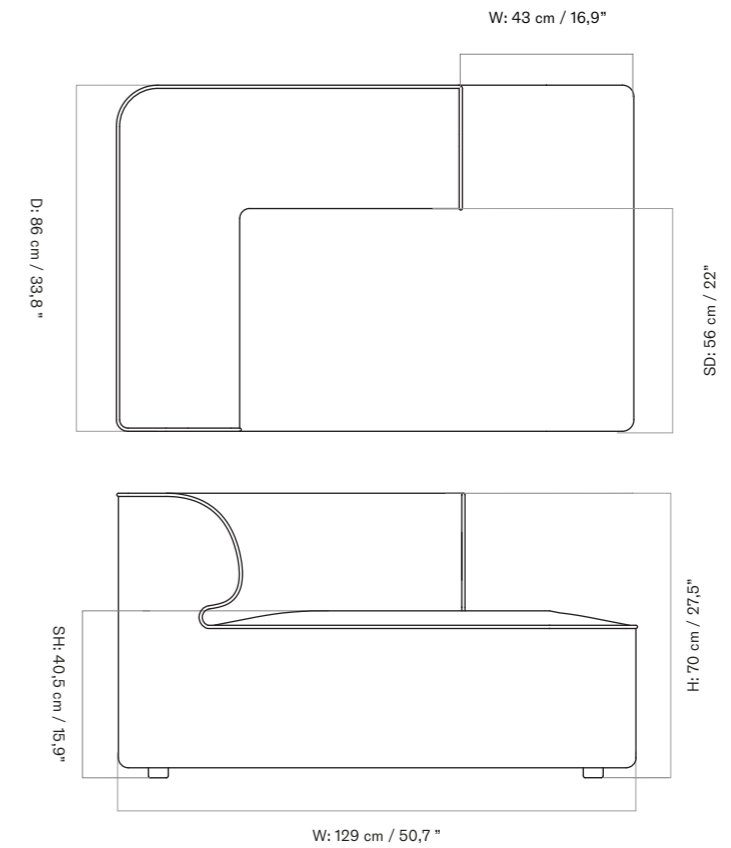
TEST

N / A

CERTIFICATIONS

TSCA title VI compliant

Declare.





EAVE MODULAR SOFA 86, CHAISE LONGUE
Designed by *Norm Architects*

[BACK TO START](#)

CORE

SPEC OPTIONS — PRICES IN SEK
6–8 weeks delivery time

SKU	VARIANT	EXCL. VAT
<hr/> <i>Chaise longue</i> <hr/>		
9969100	<i>Price Category 0</i> Audo Bouclé, Audo	15.036,00
9969101	<i>Price Category 1</i> Barnum Bouclé, Audo / Champion, JAB / Illusion, Nevotex / Hot Madison, JAB / Maple, Kvadrat / Remix 3, Kvadrat / Re-wool, Kvadrat	16.956,00
9969102	<i>Price Category 2</i> Canvas 2, Kvadrat / Clay, Kvadrat, Sahco / Colline 2, Kvadrat / Fiord 2, Kvadrat / Hallingdal 65, Kvadrat / Moss, Kvadrat, Sahco / Reflect, Kvadrat / Savanna, Kvadrat / Steelcut 2, Kvadrat / Steelcut Trio 3, Kvadrat	19.276,00
9969103	<i>Price Category 3</i> Arctic, JAB / Safire, Kvadrat, Sahco / Vidar 4, Kvadrat, Sahco / Zero, Kvadrat, Sahco	21.596,00
9969104	<i>Price Category 4</i> Doppiopanama, Dedar / Lupo, Dedar	23.916,00

CORE

The result of a collaboration between Audo Copenhagen and Norm Architects, the Eave Collection of module sofas allows for total customisation of living and lounge spaces thanks to comfortable and generously proportioned corner, open end and chaise longue segments in softly minimal silhouettes.

PRODUCT OPTIONS

Corner



Open section



Pouf



Spec options

Available in fabrics from our upholstery programme. Standard lead times apply.

For custom upholstery, please refer to the guiding textile/leather consumption:

COM Corner: 4,3 m / 4,73 yds

COM Open section: 3,2 m / 3,52 yds

COM Pouf: 3,1 m / 3,41 yds

Prices excl. custom upholstery are equal to Price Category 1 Textile or Leather. Contact sales support to place your order.

The above textile consumption is only valid for textile rolls with a width equal to or greater than 140 cm. For smaller textile rolls, please contact Sales Support for guidance. For textile with pattern, please expect a higher usage for correct pattern fitting. Please contact Sales Support for guidance.

TECHNICAL SPECIFICATIONS

COLLI

1

WEIGHT

Corner, 96:
38 kg / 83,8 lb

Open Section, 96:
29 kg / 63,9 lb

Pouf, 96:
35 kg / 77,2 lb

TEST

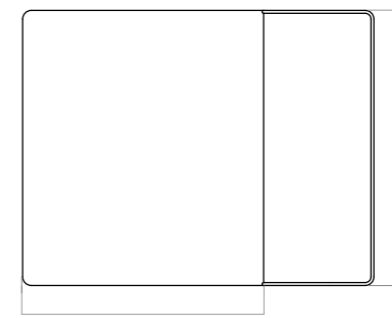
N / A

CERTIFICATIONS

TSCA title VI compliant

Declare.

Open section

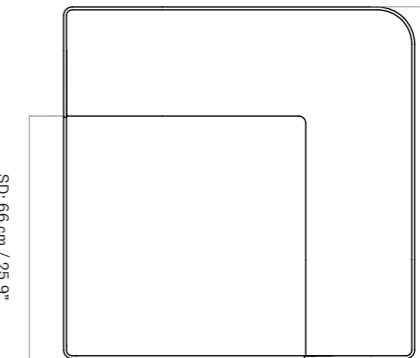


SD: 66 cm / 25,9"

D: 75 cm / 29"

SD: 66 cm / 25,9"

Corner

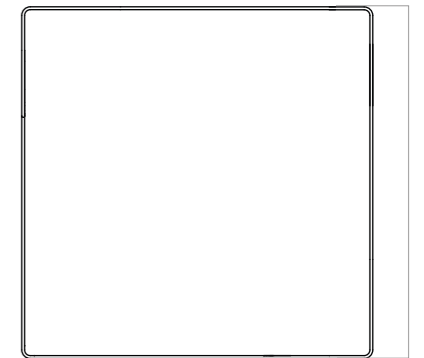


D: 96 cm / 37,7"

H: 70 cm / 27,5"

W: 96 cm / 37,7"

Pouf



D: 96 cm / 37,7"

SH: 40,5 cm / 15,9"

W: 96 cm / 37,7"

EAVE MODULAR SOFA, 96
Designed by *Norm Architects*

[BACK TO START](#)

CORE

SPEC OPTIONS — PRICES IN SEK
6–8 weeks delivery time

SKU	VARIANT	EXCL. VAT
<i>Corner, 96</i>		
9951120	<i>Price Category 0</i> Audo Bouclé, Audo	14.316,00
9951101	<i>Price Category 1</i> Barnum Bouclé, Audo / Champion, JAB / Illusion, Nevotex / Hot Madison, JAB / Maple, Kvadrat / Remix 3, Kvadrat / Re-wool, Kvadrat	16.396,00
9951102	<i>Price Category 2</i> Canvas 2, Kvadrat / Clay, Kvadrat, Sahco / Colline 2, Kvadrat / Fiord 2, Kvadrat / Hallingdal 65, Kvadrat / Moss, Kvadrat, Sahco / Reflect, Kvadrat / Savanna, Kvadrat / Steelcut 2, Kvadrat / Steelcut Trio 3, Kvadrat	20.556,00
9951103	<i>Price Category 3</i> Arctic, JAB / Safire, Kvadrat, Sahco / Vidar 4, Kvadrat, Sahco / Zero, Kvadrat, Sahco	22.636,00
9951108	<i>Price Category 4</i> Doppiopanama, Dedar / Lupo, Dedar	24.876,00
<i>Open Section, 96</i>		
9952120	<i>Price Category 0</i> Audo Bouclé, Audo	11.196,00
9952101	<i>Price Category 1</i> Barnum Bouclé, Audo / Champion, JAB / Illusion, Nevotex / Hot Madison, JAB / Maple, Kvadrat / Remix 3, Kvadrat / Re-wool, Kvadrat	12.716,00
9952102	<i>Price Category 2</i> Canvas 2, Kvadrat / Clay, Kvadrat, Sahco / Colline 2, Kvadrat / Fiord 2, Kvadrat / Hallingdal 65, Kvadrat / Moss, Kvadrat, Sahco / Reflect, Kvadrat / Savanna, Kvadrat / Steelcut 2, Kvadrat / Steelcut Trio 3, Kvadrat	15.996,00
9952103	<i>Price Category 3</i> Arctic, JAB / Safire, Kvadrat, Sahco / Vidar 4, Kvadrat, Sahco / Zero, Kvadrat, Sahco	17.596,00
9952108	<i>Price Category 4</i> Doppiopanama, Dedar / Lupo, Dedar	18.876,00

SPEC OPTIONS — PRICES IN SEK
6–8 weeks delivery time

SKU	VARIANT	EXCL. VAT
<i>Pouf, 96</i>		
9953120	<i>Price Category 0</i> Audo Bouclé, Audo	9.196,00
9953101	<i>Price Category 1</i> Barnum Bouclé, Audo / Champion, JAB / Illusion, Nevotex / Hot Madison, JAB / Maple, Kvadrat / Remix 3, Kvadrat / Re-wool, Kvadrat	10.396,00
9953102	<i>Price Category 2</i> Canvas 2, Kvadrat / Clay, Kvadrat, Sahco / Colline 2, Kvadrat / Fiord 2, Kvadrat / Hallingdal 65, Kvadrat / Moss, Kvadrat, Sahco / Reflect, Kvadrat / Savanna, Kvadrat / Steelcut 2, Kvadrat / Steelcut Trio 3, Kvadrat	12.956,00
9953103	<i>Price Category 3</i> Arctic, JAB / Safire, Kvadrat, Sahco / Vidar 4, Kvadrat, Sahco / Zero, Kvadrat, Sahco	13.996,00
9953108	<i>Price Category 4</i> Doppiopanama, Dedar / Lupo, Dedar	15.196,00

EAVE MODULAR SOFA 96, CORNER 144
Designed by *Norm Architects*

[BACK TO START](#)

CORE

The result of a collaboration between Audo Copenhagen and Norm Architects, the Eave Collection of module sofas allows for total customisation of living and lounge spaces thanks to comfortable and generously proportioned corner, open end and chaise longue segments in softly minimal silhouettes.

PRODUCT OPTIONS

Corner left



Corner right



Spec options

Available in fabrics from our upholstery programme.
Standard lead times apply.

For custom upholstery, please refer to the guiding
textile/leather consumption:
COM: 5,1 m / 5,57 yds

Prices excl. custom upholstery are equal to Price Category 1
Textile or Leather. Contact sales support to place your order.

The above textile consumption is only valid for textile rolls with a width equal to
or greater than 140 cm. For smaller textile rolls, please contact Sales Support for
guidance. For textile with pattern, please expect a higher usage for correct pattern
fitting. Please contact Sales Support for guidance.

TECHNICAL SPECIFICATIONS

COLLI

1

WEIGHT

37,5 kg / 82,67 lb

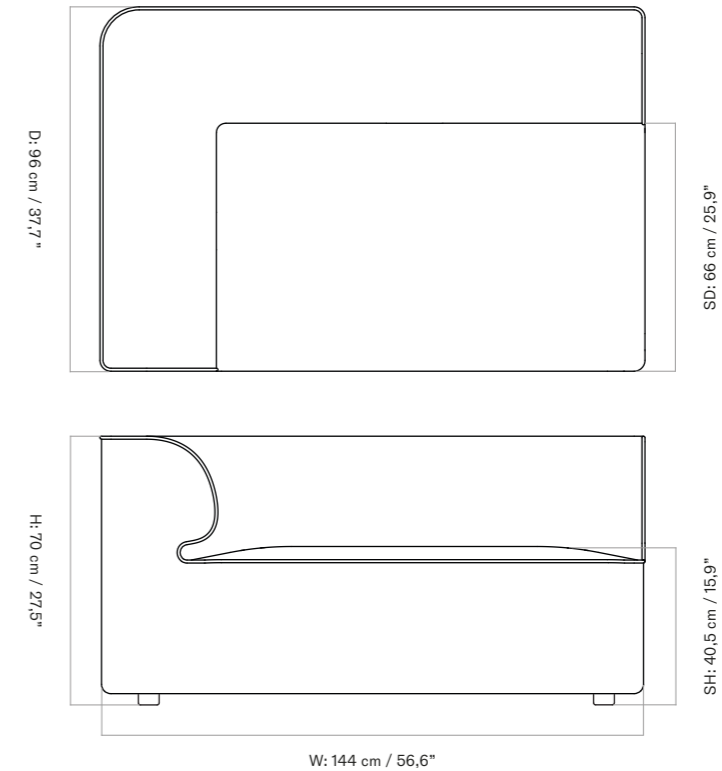
TEST

N / A

CERTIFICATIONS

TSCA title VI compliant

Declare.



EAVE MODULAR SOFA 96, CORNER 144
Designed by *Norm Architects*

[BACK TO START](#)

CORE

SPEC OPTIONS — PRICES IN SEK
6–8 weeks delivery time

SKU	VARIANT	EXCL. VAT
<hr/> <i>Corner, 144</i> <hr/>		
9969500	<i>Price Category 0</i> Audo Bouclé, Audo	18.316,00
9969501	<i>Price Category 1</i> Barnum Bouclé, Audo / Champion, JAB / Illusion, Nevotex / Hot Madison, JAB / Maple, Kvadrat / Remix 3, Kvadrat / Re-wool, Kvadrat	20.396,00
9969502	<i>Price Category 2</i> Canvas 2, Kvadrat / Clay, Kvadrat, Sahco / Colline 2, Kvadrat / Fiord 2, Kvadrat / Hallingdal 65, Kvadrat / Moss, Kvadrat, Sahco / Reflect, Kvadrat / Savanna, Kvadrat / Steelcut 2, Kvadrat / Steelcut Trio 3, Kvadrat	22.636,00
9969503	<i>Price Category 3</i> Arctic, JAB / Safire, Kvadrat, Sahco / Vidar 4, Kvadrat, Sahco / Zero, Kvadrat, Sahco	24.956,00
9969504	<i>Price Category 4</i> Doppiapanama, Dedar / Lupo, Dedar	27.276,00

EAVE MODULAR SOFA 96, CORNER 192
Designed by *Norm Architects*

[BACK TO START](#)

CORE

The result of a collaboration between Audo Copenhagen and Norm Architects, the Eave Collection of module sofas allows for total customisation of living and lounge spaces thanks to comfortable and generously proportioned corner, open end and chaise longue segments in softly minimal silhouettes.

PRODUCT OPTIONS

Corner left



Corner right



Spec options

Available in fabrics from our upholstery programme.
Standard lead times apply.

For custom upholstery, please refer to the guiding
textile/leather consumption:
COM: 6,1 m / 6,67 yds

Prices excl. custom upholstery are equal to Price Category 1
Textile or Leather. Contact sales support to place your order.

The above textile consumption is only valid for textile rolls with a width equal to
or greater than 140 cm. For smaller textile rolls, please contact Sales Support for
guidance. For textile with pattern, please expect a higher usage for correct pattern
fitting. Please contact Sales Support for guidance.

TECHNICAL SPECIFICATIONS

COLLI

1

WEIGHT

38,3 kg / 18,3 lb

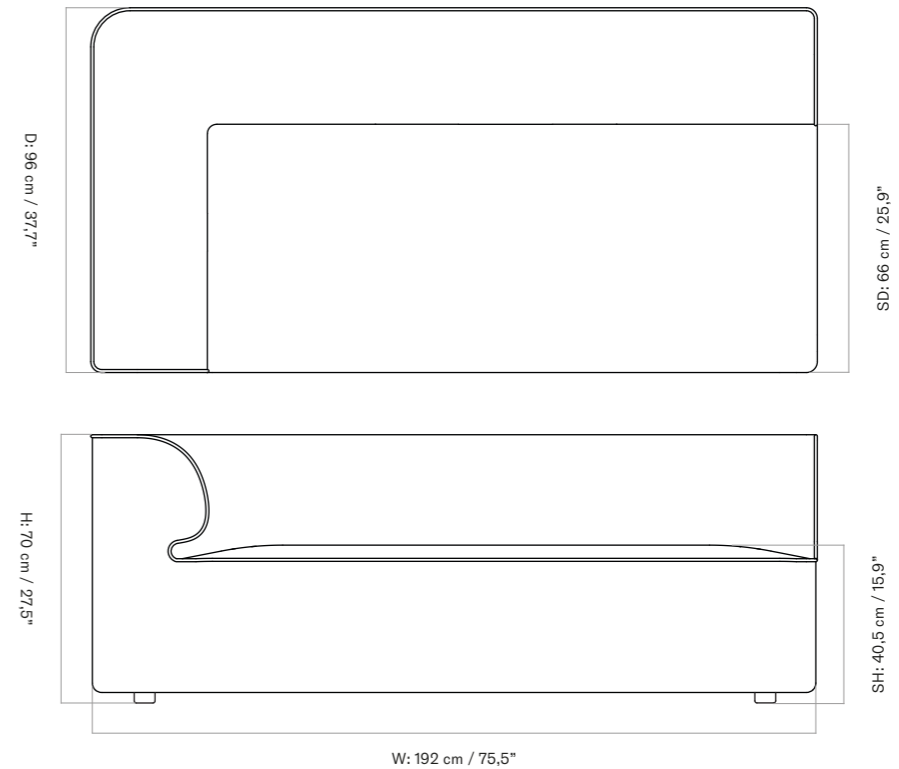
TEST

N / A

CERTIFICATIONS

TSCA title VI compliant

Declare.



EAVE MODULAR SOFA 96, CORNER 192
Designed by *Norm Architects*

[BACK TO START](#)

CORE

SPEC OPTIONS — PRICES IN SEK
6–8 weeks delivery time

SKU	VARIANT	EXCL. VAT
<hr/> <i>Corner, 192</i> <hr/>		
9969200	<i>Price Category 0</i> Audo Bouclé, Audo	20.796,00
9969201	<i>Price Category 1</i> Barnum Bouclé, Audo / Champion, JAB / Illusion, Nevotex / Hot Madison, JAB / Maple, Kvadrat / Remix 3, Kvadrat / Re-wool, Kvadrat	22.876,00
9969202	<i>Price Category 2</i> Canvas 2, Kvadrat / Clay, Kvadrat, Sahco / Colline 2, Kvadrat / Fiord 2, Kvadrat / Hallingdal 65, Kvadrat / Moss, Kvadrat, Sahco / Reflect, Kvadrat / Savanna, Kvadrat / Steelcut 2, Kvadrat / Steelcut Trio 3, Kvadrat	25.196,00
9969203	<i>Price Category 3</i> Arctic, JAB / Safire, Kvadrat, Sahco / Vidar 4, Kvadrat, Sahco / Zero, Kvadrat, Sahco	27.516,00
9969204	<i>Price Category 4</i> Doppiopanama, Dedar / Lupo, Dedar	29.836,00



EAVE MODULAR SOFA 96, OPEN END 144
Designed by *Norm Architects*

[BACK TO START](#)

CORE

The result of a collaboration between Audo Copenhagen and Norm Architects, the Eave Collection of module sofas allows for total customisation of living and lounge spaces thanks to comfortable and generously proportioned corner, open end and chaise longue segments in softly minimal silhouettes.

PRODUCT OPTIONS

Open end left



Open end right



Spec options

Available in fabrics from our upholstery programme.
Standard lead times apply.

For custom upholstery, please refer to the guiding
textile/leather consumption:
COM: 4,3 m / 4,73 yds

Prices excl. custom upholstery are equal to Price Category 1
Textile or Leather. Contact sales support to place your order.

The above textile consumption is only valid for textile rolls with a width equal to
or greater than 140 cm. For smaller textile rolls, please contact Sales Support for
guidance. For textile with pattern, please expect a higher usage for correct pattern
fitting. Please contact Sales Support for guidance.

TECHNICAL SPECIFICATIONS

COLLI

1

WEIGHT

37,5 kg / 82,67 lb

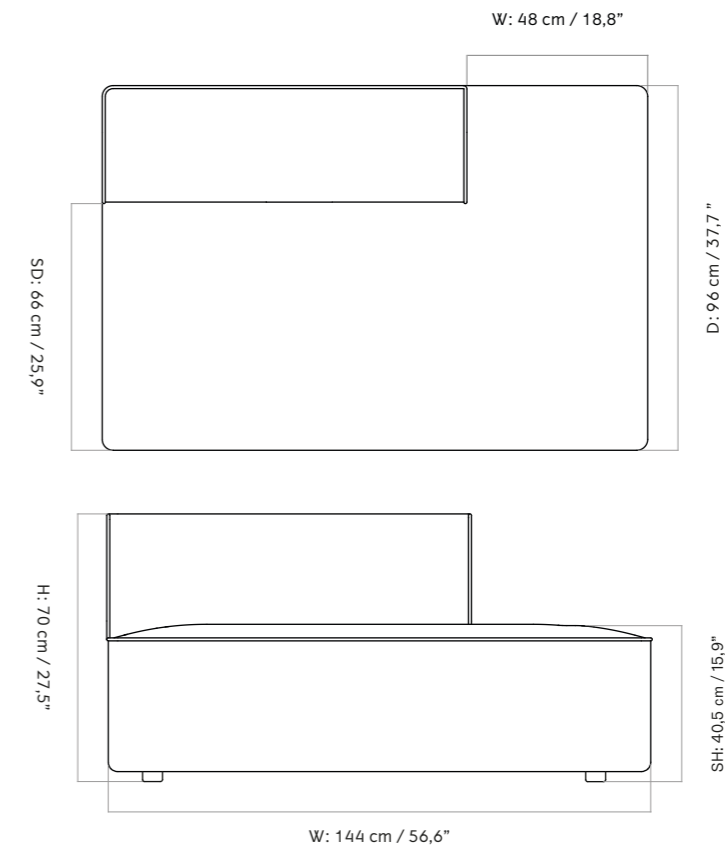
TEST

N / A

CERTIFICATIONS

TSCA title VI compliant

Declare.





EAVE MODULAR SOFA 96, OPEN END 144
Designed by *Norm Architects*

[BACK TO START](#)

CORE

SPEC OPTIONS — PRICES IN SEK
6–8 weeks delivery time

SKU	VARIANT	EXCL. VAT
<hr/> <i>Open End, 144</i> <hr/>		
9969400	<i>Price Category 0</i> Audo Bouclé, Audo	17.196,00
9969401	<i>Price Category 1</i> Barnum Bouclé, Audo / Champion, JAB / Illusion, Nevotex / Hot Madison, JAB / Maple, Kvadrat / Remix 3, Kvadrat / Re-wool, Kvadrat	19.196,00
9969402	<i>Price Category 2</i> Canvas 2, Kvadrat / Clay, Kvadrat, Sahco / Colline 2, Kvadrat / Fiord 2, Kvadrat / Hallingdal 65, Kvadrat / Moss, Kvadrat, Sahco / Reflect, Kvadrat / Savanna, Kvadrat / Steelcut 2, Kvadrat / Steelcut Trio 3, Kvadrat	21.436,00
9969403	<i>Price Category 3</i> Arctic, JAB / Safire, Kvadrat, Sahco / Vidar 4, Kvadrat, Sahco / Zero, Kvadrat, Sahco	23.756,00
9969404	<i>Price Category 4</i> Doppiapanama, Dedar / Lupo, Dedar	26.076,00



EAVE MODULAR SOFA 96, CHAISE LONGUE
Designed by *Norm Architects*

[BACK TO START](#)

CORE

The result of a collaboration between Audo Copenhagen and Norm Architects, the Eave Collection of module sofas allows for total customisation of living and lounge spaces thanks to comfortable and generously proportioned corner, open end and chaise longue segments in softly minimal silhouettes.

PRODUCT OPTIONS

Chaise Longue left



Chaise Longue right



Spec options

Available in fabrics from our upholstery programme. Standard lead times apply.

For custom upholstery, please refer to the guiding textile/leather consumption:
COM: 4,5 m / 4,92 yds

Prices excl. custom upholstery are equal to Price Category 1 Textile or Leather. Contact sales support to place your order.

The above textile consumption is only valid for textile rolls with a width equal to or greater than 140 cm. For smaller textile rolls, please contact Sales Support for guidance. For textile with pattern, please expect a higher usage for correct pattern fitting. Please contact Sales Support for guidance.

TECHNICAL SPECIFICATIONS

COLLI

1

WEIGHT

37,5 kg / 82,67 lb

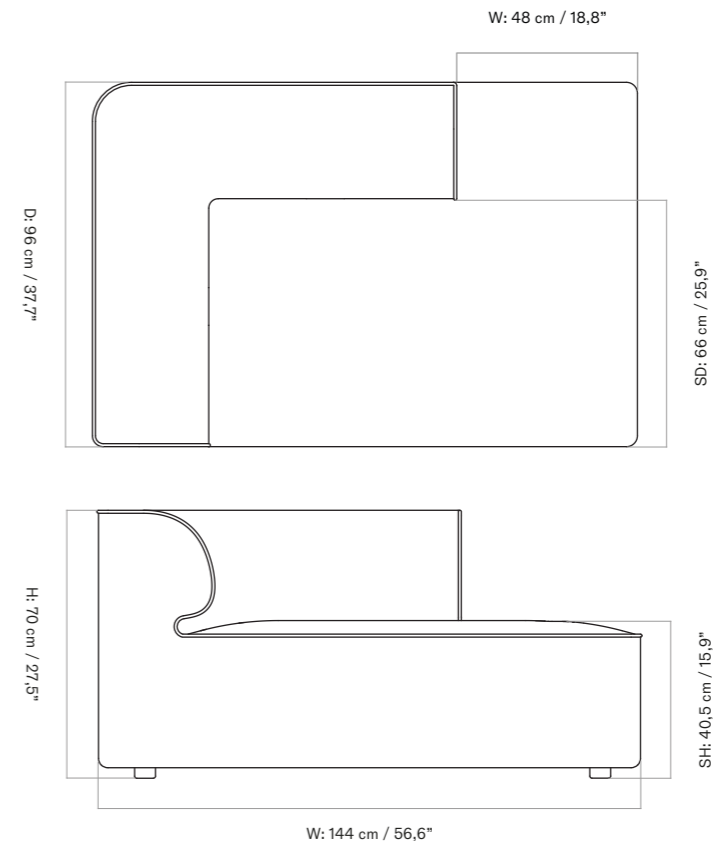
TEST

N / A

CERTIFICATIONS

TSCA title VI compliant

Declare.





EAVE MODULAR SOFA 96, CHAISE LONGUE
Designed by *Norm Architects*

[BACK TO START](#)

CORE

SPEC OPTIONS — PRICES IN SEK
6–8 weeks delivery time

SKU	VARIANT	EXCL. VAT
<hr/> <i>Chaise Longue</i> <hr/>		
9969300	<i>Price Category 0</i> Audo Bouclé, Audo	17.196,00
9969301	<i>Price Category 1</i> Barnum Bouclé, Audo / Champion, JAB / Illusion, Nevotex / Hot Madison, JAB / Maple, Kvadrat / Remix 3, Kvadrat / Re-wool, Kvadrat	19.196,00
9969302	<i>Price Category 2</i> Canvas 2, Kvadrat / Clay, Kvadrat, Sahco / Colline 2, Kvadrat / Fiord 2, Kvadrat / Hallingdal 65, Kvadrat / Moss, Kvadrat, Sahco / Reflect, Kvadrat / Savanna, Kvadrat / Steelcut 2, Kvadrat / Steelcut Trio 3, Kvadrat	21.436,00
9969303	<i>Price Category 3</i> Arctic, JAB / Safire, Kvadrat, Sahco / Vidar 4, Kvadrat, Sahco / Zero, Kvadrat, Sahco	23.756,00
9969304	<i>Price Category 4</i> Doppiapanama, Dedar / Lupo, Dedar	26.076,00

EAVE DINING SOFA
Designed by *Norm Architects*

[BACK TO START](#)

CORE

Banquette-style sofa foam-padded modules in fabric upholstery and set on black powder coated steel legs. As no two spaces are the same, we also offer bespoke solutions that accommodate individual requirements for length. All modules can be connected using the pre-mounted brackets.

PRODUCT OPTIONS

Corner



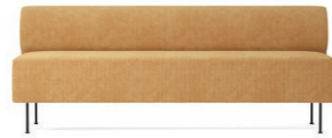
80



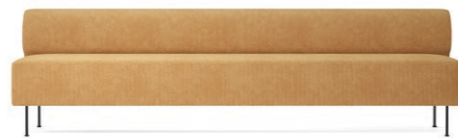
165



200



280



TECHNICAL SPECIFICATIONS

COLLI

1

WEIGHT

80: 32 kg / 70,5 lb
165: 41 kg / 90,4 lb
200: 49 kg / 108 lb
280: 67 kg / 147,7 lb
Corner: 30 kg / 66,1 lb

TEST

ANSI / BIFMA X5.4-2020

CERTIFICATIONS

TSCA title VI compliant

Declare.



Spec options

Available in fabrics from our upholstery programme. Standard lead times apply.

For custom upholstery, please refer to the guiding textile/leather consumption:

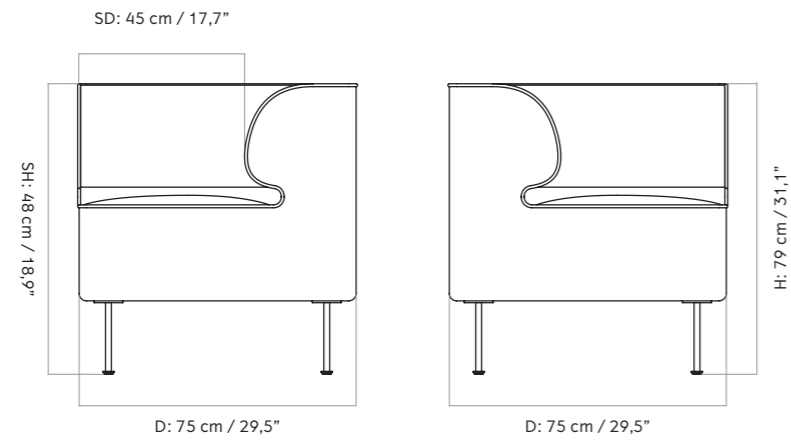
COM Corner: 3,5 m / 3,85 yds
80 seater COM: 3,2 m / 3,52 yds
165 seater COM: 4,3 m / 4,73 yds
200 seater COM: 5 m / 5,5 yds
280 seater COM: 6,8 m / 7,48 yds

Prices excl. custom upholstery are equal to Price Category 1 Textile or Leather. Contact sales support to place your order.

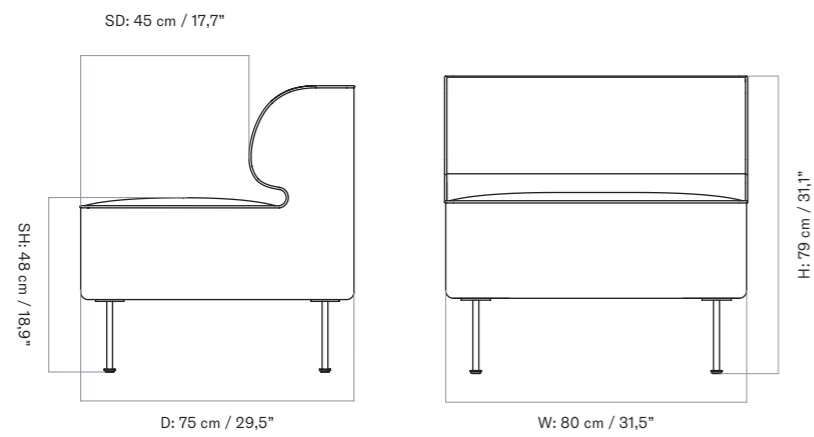
The above textile consumption is only valid for textile rolls with a width equal to or greater than 140 cm. For smaller textile rolls, please contact Sales Support for guidance. For textile with pattern, please expect a higher usage for correct pattern fitting. Please contact Sales Support for guidance.

TECHNICAL SPECIFICATIONS

Corner

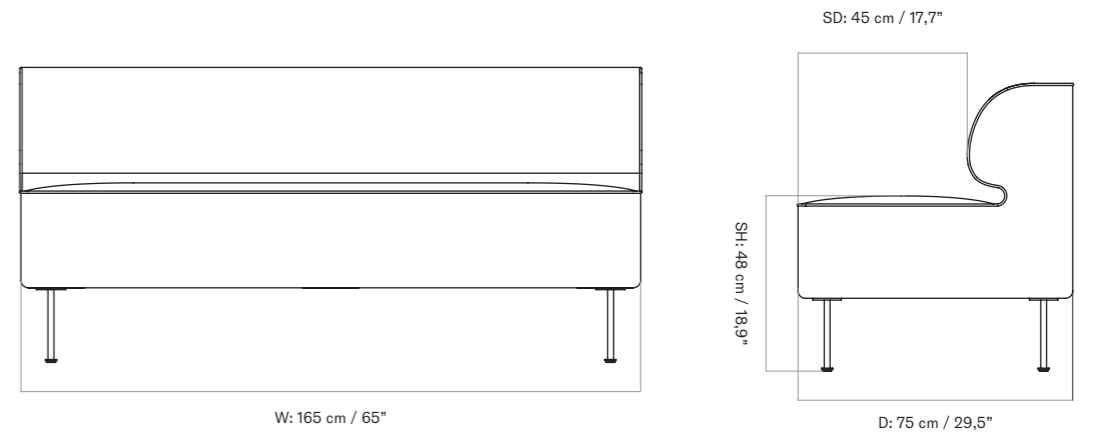


80

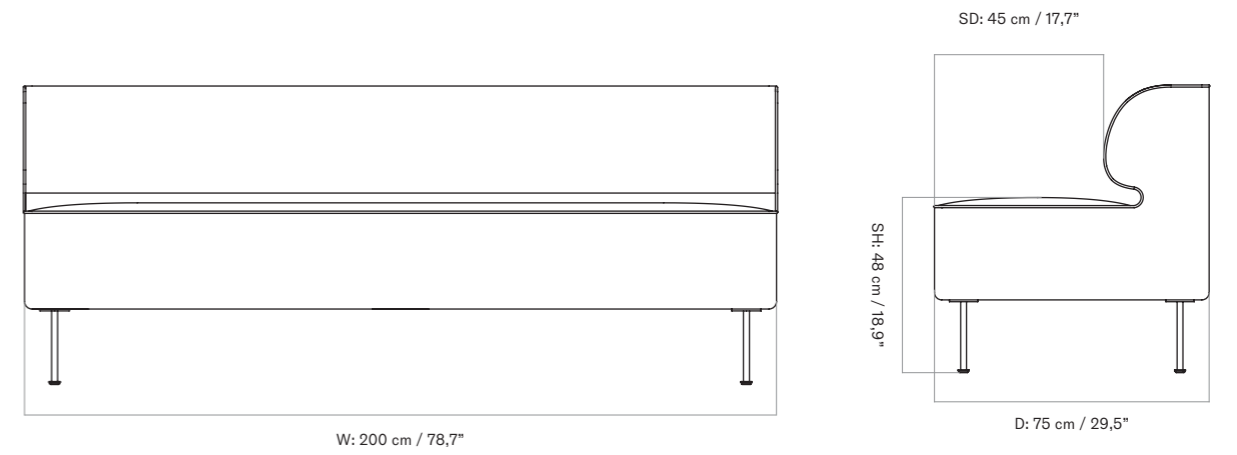


TECHNICAL SPECIFICATIONS

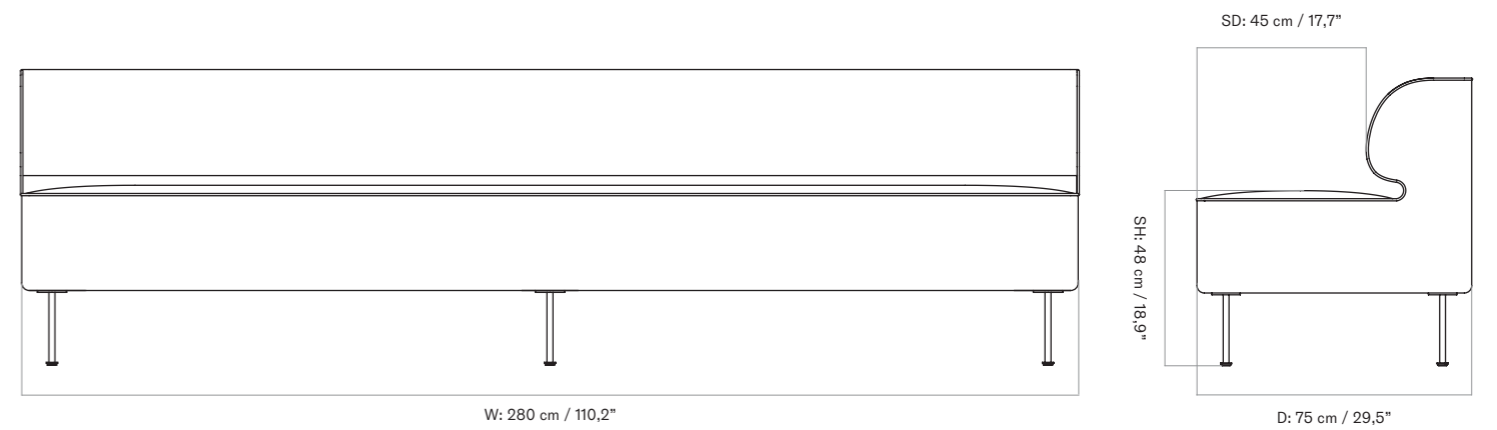
165



200



280



EAVE DINING SOFA
Designed by *Norm Architects*

[BACK TO START](#)

CORE

SPEC OPTIONS — PRICES IN SEK
6–8 weeks delivery time

SKU	VARIANT	EXCL. VAT
<i>Corner</i>		
9973020	<i>Price Category 0</i> Audo Bouclé, Audo	13.116,00
9973001	<i>Price Category 1</i> Barnum Bouclé, Audo / Champion, JAB / Illusion, Nevotex / Hot Madison, JAB / Maple, Kvadrat / Remix 3, Kvadrat / Re-wool, Kvadrat	14.876,00
9973002	<i>Price Category 2</i> Canvas 2, Kvadrat / Clay, Kvadrat, Sahco / Colline 2, Kvadrat / Fiord 2, Kvadrat / Hallingdal 65, Kvadrat / Moss, Kvadrat, Sahco / Reflect, Kvadrat / Savanna, Kvadrat / Steelcut 2, Kvadrat / Steelcut Trio 3, Kvadrat	18.956,00
9973003	<i>Price Category 3</i> Arctic, JAB / Safire, Kvadrat, Sahco / Vidar 4, Kvadrat, Sahco / Zero, Kvadrat, Sahco	21.116,00
9973004	<i>Price Category 4</i> Doppiopanama, Dedar / Lupo, Dedar	22.636,00
<i>80</i>		
9974020	<i>Price Category 0</i> Audo Bouclé, Audo	14.556,00
9974001	<i>Price Category 1</i> Barnum Bouclé, Audo / Champion, JAB / Illusion, Nevotex / Hot Madison, JAB / Maple, Kvadrat / Remix 3, Kvadrat / Re-wool, Kvadrat	16.796,00
9974002	<i>Price Category 2</i> Canvas 2, Kvadrat / Clay, Kvadrat, Sahco / Colline 2, Kvadrat / Fiord 2, Kvadrat / Hallingdal 65, Kvadrat / Moss, Kvadrat, Sahco / Reflect, Kvadrat / Savanna, Kvadrat / Steelcut 2, Kvadrat / Steelcut Trio 3, Kvadrat	22.236,00
9974003	<i>Price Category 3</i> Arctic, JAB / Safire, Kvadrat, Sahco / Vidar 4, Kvadrat, Sahco / Zero, Kvadrat, Sahco	24.796,00
9974004	<i>Price Category 4</i> Doppiopanama, Dedar / Lupo, Dedar	26.396,00

SPEC OPTIONS — PRICES IN SEK
6–8 weeks delivery time

SKU	VARIANT	EXCL. VAT
<i>165</i>		
9970020	<i>Price Category 0</i> Audo Bouclé, Audo	16.396,00
9970001	<i>Price Category 1</i> Barnum Bouclé, Audo / Champion, JAB / Illusion, Nevotex / Hot Madison, JAB / Maple, Kvadrat / Remix 3, Kvadrat / Re-wool, Kvadrat	18.876,00
9970002	<i>Price Category 2</i> Canvas 2, Kvadrat / Clay, Kvadrat, Sahco / Colline 2, Kvadrat / Fiord 2, Kvadrat / Hallingdal 65, Kvadrat / Moss, Kvadrat, Sahco / Reflect, Kvadrat / Savanna, Kvadrat / Steelcut 2, Kvadrat / Steelcut Trio 3, Kvadrat	25.276,00
9970003	<i>Price Category 3</i> Arctic, JAB / Safire, Kvadrat, Sahco / Vidar 4, Kvadrat, Sahco / Zero, Kvadrat, Sahco	28.236,00
9970008	<i>Price Category 4</i> Doppiopanama, Dedar / Lupo, Dedar	30.236,00
<i>200</i>		
9971020	<i>Price Category 0</i> Audo Bouclé, Audo	18.156,00
9971001	<i>Price Category 1</i> Barnum Bouclé, Audo / Champion, JAB / Illusion, Nevotex / Hot Madison, JAB / Maple, Kvadrat / Remix 3, Kvadrat / Re-wool, Kvadrat	20.956,00
9971002	<i>Price Category 2</i> Canvas 2, Kvadrat / Clay, Kvadrat, Sahco / Colline 2, Kvadrat / Fiord 2, Kvadrat / Hallingdal 65, Kvadrat / Moss, Kvadrat, Sahco / Reflect, Kvadrat / Savanna, Kvadrat / Steelcut 2, Kvadrat / Steelcut Trio 3, Kvadrat	28.476,00
9971003	<i>Price Category 3</i> Arctic, JAB / Safire, Kvadrat, Sahco / Vidar 4, Kvadrat, Sahco / Zero, Kvadrat, Sahco	31.756,00
9971008	<i>Price Category 4</i> Doppiopanama, Dedar / Lupo, Dedar	34.076,00

EAVE DINING SOFA
Designed by *Norm Architects*

[BACK TO START](#)

CORE

SPEC OPTIONS — PRICES IN SEK
6–8 weeks delivery time

SKU	VARIANT	EXCL. VAT
	<i>280</i>	
9972020	<i>Price Category 0</i> Audo Bouclé, Audo	21.676,00
9972001	<i>Price Category 1</i> Barnum Bouclé, Audo / Champion, JAB / Illusion, Nevotex / Hot Madison, JAB / Maple, Kvadrat / Remix 3, Kvadrat / Re-wool, Kvadrat	25.116,00
9972002	<i>Price Category 2</i> Canvas 2, Kvadrat / Clay, Kvadrat, Sahco / Colline 2, Kvadrat / Fiord 2, Kvadrat / Hallingdal 65, Kvadrat / Moss, Kvadrat, Sahco / Reflect, Kvadrat / Savanna, Kvadrat / Steelcut 2, Kvadrat / Steelcut Trio 3, Kvadrat	34.716,00
9972003	<i>Price Category 3</i> Arctic, JAB / Safire, Kvadrat, Sahco / Vidar 4, Kvadrat, Sahco / Zero, Kvadrat, Sahco	38.876,00
9972008	<i>Price Category 4</i> Doppiapanama, Dedar / Lupo, Dedar	41.436,00



EAVE DINING SOFA, material *Moss 022*, designer *Norm Architects*
HARBOUR COULUMN DINING TABLE, size *Ø80*, material *black Steel / Kunis Breccia*, designer *Norm Architects*
AFTERROOM DINING CHAIR, material *black steel / Dunes Cognac 21000*, designer *Afterroom*
COLUMN TABLE LAMP, PORTABLE, designer *Norm Architects*
DUCA CANDLE HOLDER, material *polished brass*, designer *Krøyer-Sætter-Lassen*

 Rail Shelf →

 Zet Storage System →

 Zet Storage System, Magazine Shelf →

 Zet Storage System, Back Panel →

 Gridy Fungi Shelf →

 Epoch Shelf →

 Epoch Rack →

 Afterroom Coat Hanger →

RAIL SHELF

Designed by *Keiji Ashizawa*

CORE

Natural or dark stained oak shelf with steel wall bracket.

PRODUCT OPTIONS

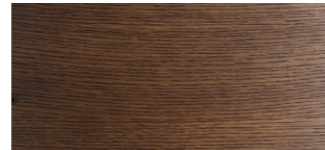
STOCK OPTIONS — PRICES IN SEK



Oak tabletop



NATURAL OAK



DARK STAINED OAK

Powder coated steel frame

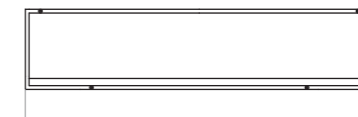
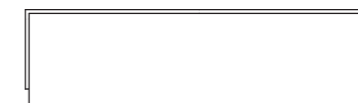


BLACK

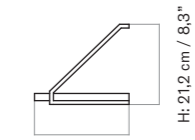
SKU	VARIANT	EXCL. VAT
1207039	RAIL SHELF, BLACK STEEL / NATURAL OAK	2.364,00
1207849	RAIL SHELF, BLACK STEEL / DARK STAINED OAK	2.364,00

TECHNICAL SPECIFICATIONS

COLLI	WEIGHT	TEST	CERTIFICATIONS
1	N / A	Vertical Static Load Test (60 kg / 132 lb)	TSCA title VI compliant



W: 92 cm / 36,2"



D: 25 cm / 9,8"

H: 21,2 cm / 8,3"



ZET STORAGE SYSTEM

Designed by *KaschKasch*

[BACK TO START](#)

CORE

Zet is a thoughtfully designed landing spot for the essential objects that define a space. The intuitive, minimalist and modular shelving system has an airy feel and the ability to be configured to suit any room thanks to its customisable form in six colour options and which now comes with display shelves and pinboard backs in corresponding colours, allowing you to play around with combinations to create precisely the look you want.



PRODUCT OPTIONS

Shelf



BLACK OAK



NATURAL OAK



DARK STAINED OAK

Powder coated steel frame



BLACK STEEL

TECHNICAL SPECIFICATIONS

COLLI

1

WEIGHT

H70, L150
23 kg / 50,7 lb

H114, L150
33,8 kg / 74,5 lb

H158, L150
45,7 kg / 100,8 lb

TEST

N / A

CERTIFICATIONS

TSCA title VI compliant



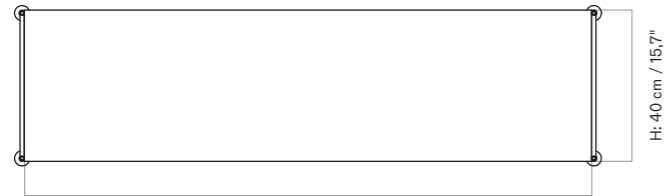
CORE

ZET STORAGE SYSTEM Designed by *KaschKasch*

[BACK TO START](#)

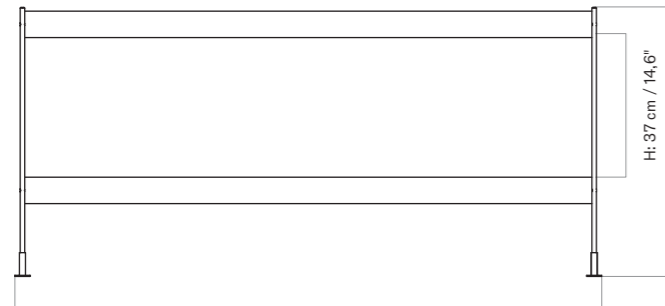
TECHNICAL SPECIFICATIONS

H70



W: 150 cm / 59"

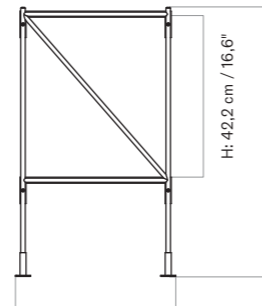
H: 40 cm / 15,7"



W: 155 cm / 61"

H: 37 cm / 14,6"

H: 70 cm / 27,6"

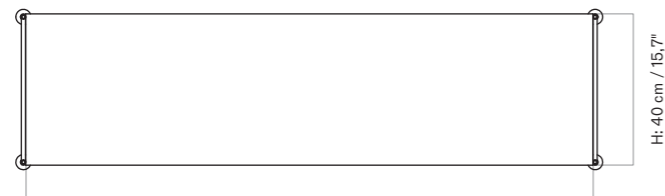


D: 42,4 cm / 16,7"

H: 42,2 cm / 16,6"

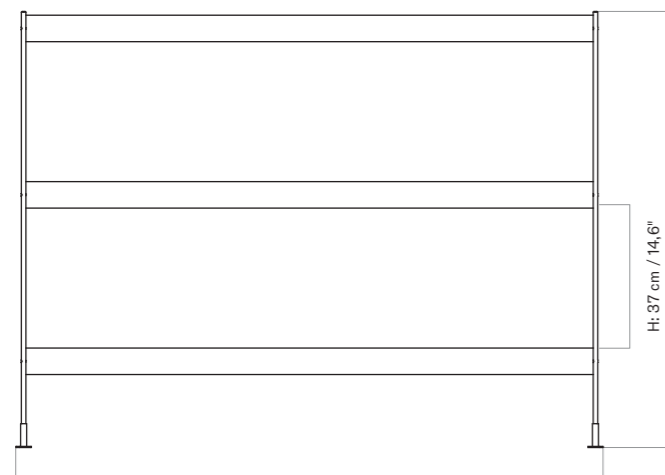
H: 70 cm / 27,6"

H114



W: 150 cm / 59"

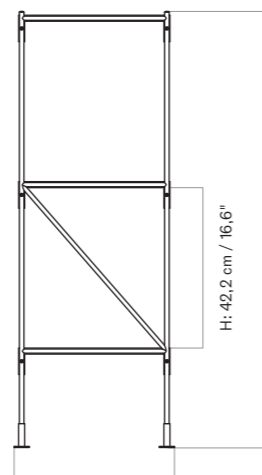
H: 40 cm / 15,7"



W: 155 cm / 61"

H: 37 cm / 14,6"

H: 114 cm / 44,9"



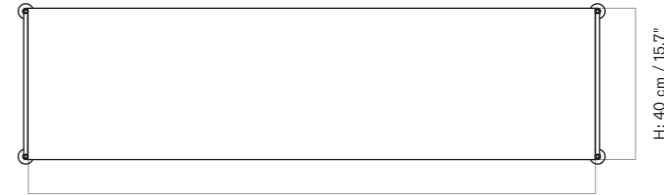
D: 42,4 cm / 16,7"

H: 42,2 cm / 16,6"

H: 114 cm / 44,9"

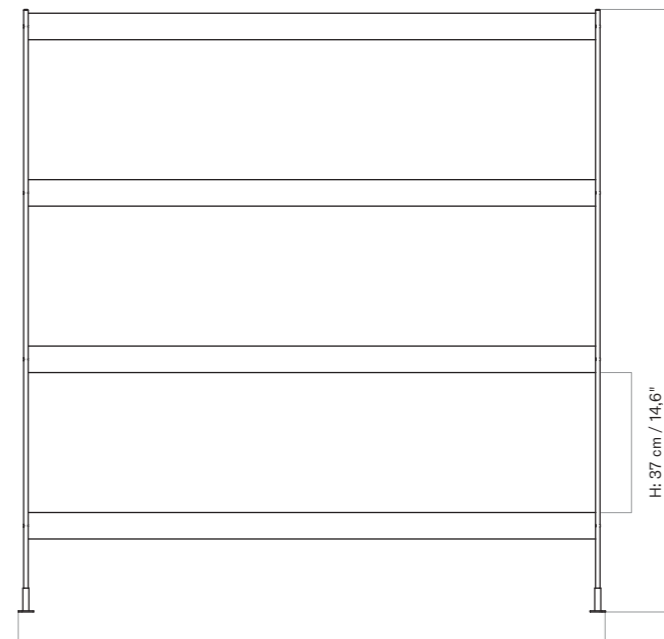
TECHNICAL SPECIFICATIONS

H158



W: 150 cm / 59"

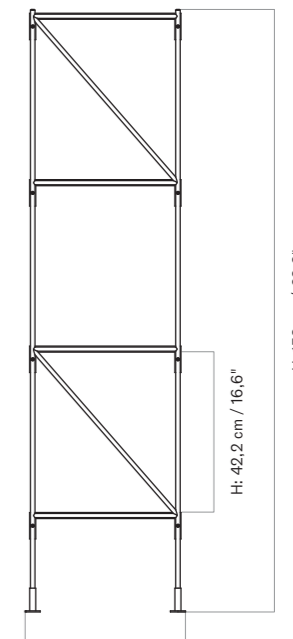
H: 40 cm / 15,7"



W: 155 cm / 61"

H: 37 cm / 14,6"

H: 158 cm / 62,2"



D: 42,4 cm / 16,7"

H: 42,2 cm / 16,6"

H: 158 cm / 62,2"



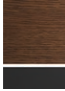


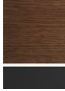


ZET STORAGE SYSTEM
Designed by *KaschKasch*

[BACK TO START](#)

CORE

RECOMMENDED COMBINATIONS — PRICES IN SEK
Selected combinations 6–8 weeks delivery time.

SKU	VARIANT	EXCL. VAT
<i>Zet storage system H70</i>		
7355539	 ZET STORAGE SYSTEM, H70, BLACK STEEL / BLACK OAK	7.508,00
7355039	 ZET STORAGE SYSTEM, H70, BLACK STEEL / NATURAL OAK	7.508,00
7355849	 ZET STORAGE SYSTEM, H70, BLACK STEEL / DARK STAINED OAK	7.508,00
<i>Zet storage system H114</i>		
7365539	 ZET STORAGE SYSTEM, H114, BLACK STEEL / BLACK OAK	10.944,00
7365039	 ZET STORAGE SYSTEM, H114, BLACK STEEL / NATURAL OAK	10.944,00
7365849	 ZET STORAGE SYSTEM, H114, BLACK STEEL / DARK STAINED OAK	10.944,00

RECOMMENDED COMBINATIONS — PRICES IN SEK
Selected combinations 6–8 weeks delivery time.

SKU	VARIANT	EXCL. VAT
<i>Zet storage system H158</i>		
7375539	 ZET STORAGE SYSTEM, H158, BLACK STEEL / BLACK OAK	11.980,00
7375039	 ZET STORAGE SYSTEM, H158, BLACK STEEL / NATURAL OAK	11.980,00
7375849	 ZET STORAGE SYSTEM, H158, BLACK STEEL / DARK STAINED OAK	11.980,00

ZET STORAGE SYSTEM, MAGAZINE SHELF

Designed by *KaschKasch*

[BACK TO START](#)

CORE

Zet is a thoughtfully designed landing spot for the essential objects that define a space. The intuitive, minimalist and modular shelving system has an airy feel and the ability to be configured to suit any room thanks to its customisable form in six colour options and which now comes with display shelves and pinboard backs in corresponding colours, allowing you to play around with combinations to create precisely the look you want.



BLACK
7350539



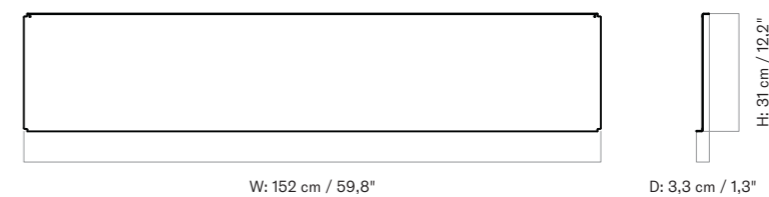
IVORY
7350649

STOCK OPTIONS — PRICES IN SEK

SKU	VARIANT	EXCL. VAT
7350539	ZET STORAGE SYSTEM, MAGAZINE SHELF, BLACK	1.092,00
7350649	ZET STORAGE SYSTEM, MAGAZINE SHELF, IVORY	1.092,00

TECHNICAL SPECIFICATIONS

COLLI	WEIGHT	TEST	CERTIFICATIONS
1	N/A	N/A	N/A



ZET STORAGE SYSTEM, BACK PANEL
Designed by *KaschKasch*

[BACK TO START](#)

CORE

Zet is a thoughtfully designed landing spot for the essential objects that define a space. The intuitive, minimalist and modular shelving system has an airy feel and the ability to be configured to suit any room thanks to its customisable form in six colour options and which now comes with display shelves and pinboard backs in corresponding colours, allowing you to play around with combinations to create precisely the look you want.



OFF WHITE
7351659



TAUPE
7351959



BRICK RED
7351399

STOCK OPTIONS — PRICES IN SEK

SKU	VARIANT	EXCL. VAT
7351659	ZET, STORAGE SYSTEM, L150, BACK PANEL, OFF WHITE	2.716,00
7351959	ZET, STORAGE SYSTEM, L150, BACK PANEL, TAUPE	1.596,00
7351399	ZET, STORAGE SYSTEM, L150, BACK PANEL, BRICK RED	1.596,00

TECHNICAL SPECIFICATIONS

COLLI	WEIGHT	TEST	CERTIFICATIONS
1	6,2 kg / 13,7 lb	N / A	N / A



W: 151 cm / 59,4"



H: 37 cm / 15,6"



D: 1,6cm / 0,6"

GRIDY FUNGI SHELF
Designed by *Gridy*

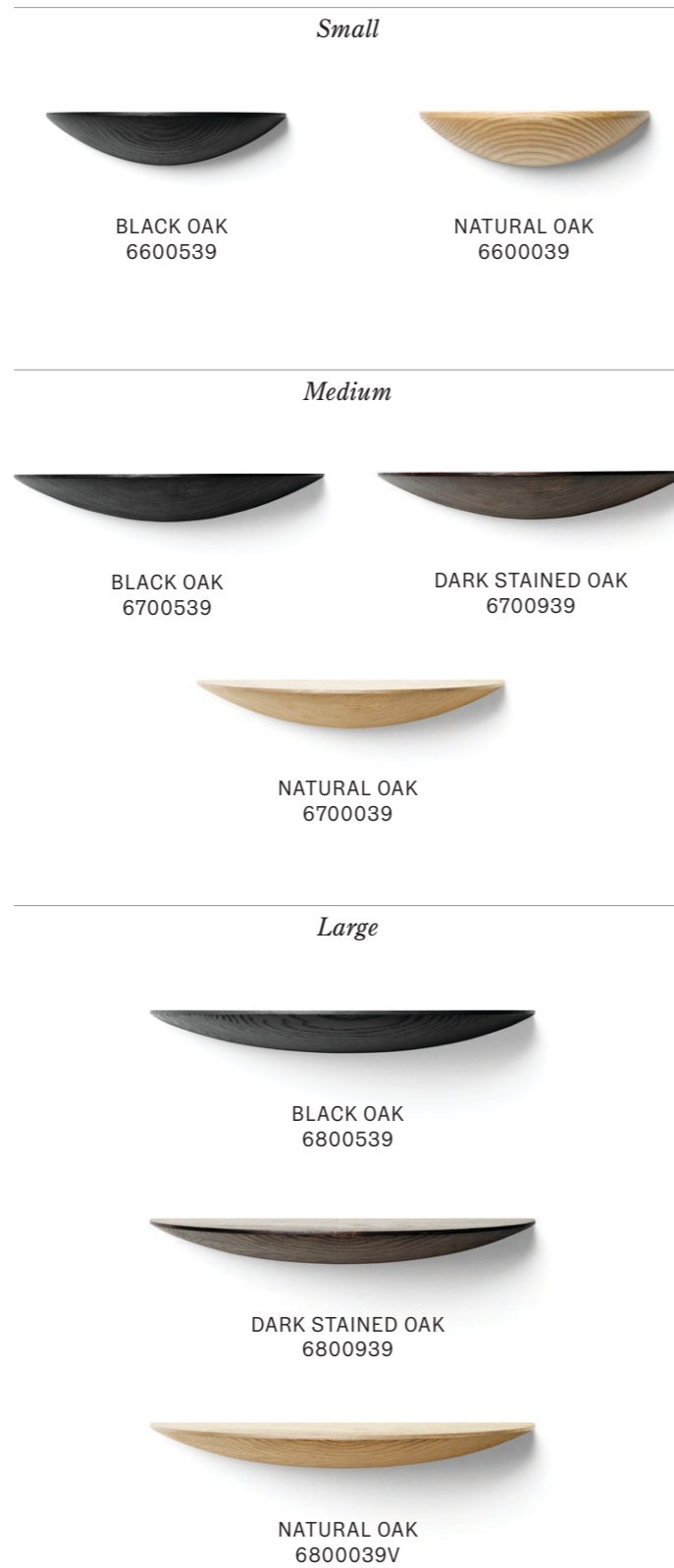
[BACK TO START](#)

CORE

Natural, dark stained oak or Black oak shelf.
Available in three sizes.

PRODUCT OPTIONS

STOCK OPTIONS — PRICES IN SEK

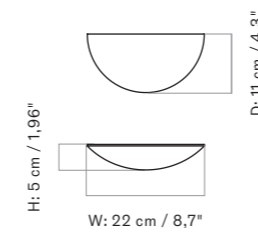


SKU	VARIANT	EXCL. VAT
6600539	GRIDY FUNGI SHELF, SMALL, BLACK OAK	684,00
6600039	GRIDY FUNGI SHELF, SMALL, NATURAL OAK	684,00
6700539	GRIDY FUNGI SHELF, MEDIUM, BLACK OAK	908,00
6700939	GRIDY FUNGI SHELF, MEDIUM, DARK STAINED OAK	908,00
6700039	GRIDY FUNGI SHELF, MEDIUM, NATURAL OAK	908,00
6800539	GRIDY FUNGI SHELF, LARGE, BLACK OAK	1.276,00
6800939	GRIDY FUNGI SHELF, LARGE, DARK STAINED OAK	1.276,00
6800039	GRIDY FUNGI SHELF, LARGE, NATURAL OAK	1.276,00

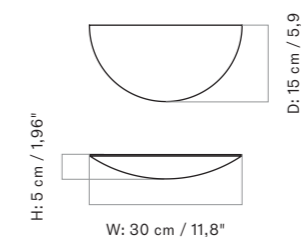
TECHNICAL SPECIFICATIONS

COLLI	WEIGHT	TEST	CERTIFICATIONS
Small: 4 Medium: 4 Large: 2	Small: 0,4 kg / 0,88 lb Medium: 0,7 kg / 1,54 lb Large: 1,5 kg / 3,30 lb	N / A	N / A

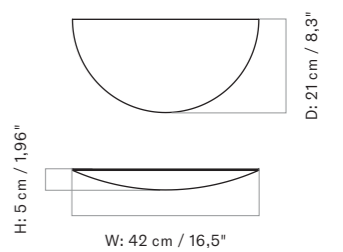
FUNGI SHELF SMALL



FUNGI SHELF MEDIUM



FUNGI SHELF LARGE





EPOCH SHELF

Designed by *Nina Bruun*

[BACK TO START](#)

CORE

Curved edges and warm materiality meet on the Epoch Shelf, designed by Nina Bruun. Crafted from oak veneer in two finishes, the wall-mounted design brings a natural touch to walls as a practical landing spot for hallway clutter or a space-enhancing base for decorative objects. It can be turned for use as either a deep tray or shallow shelf and multiples can be suspended in rows.

PRODUCT OPTIONS

Shelf 50



NATURAL OAK / FOG
6205039

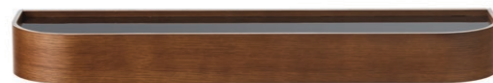


DARK STAINED OAK / BLACK
6205849

Shelf 79



NATURAL OAK
6217039



NATURAL OAK / FOG
6207039

STOCK OPTIONS — PRICES IN SEK

SKU	VARIANT	EXCL. VAT
6205039	EPOCH SHELF, 50, NATURAL OAK / FOG	1.516,00
6205849	EPOCH SHELF, 50, DARK STAINED OAK / BLACK	1.516,00
6207039	EPOCH SHELF, 79, NATURAL OAK / FOG	1.996,00
6207849	EPOCH SHELF, 79, DARK STAINED OAK / BLACK	1.996,00

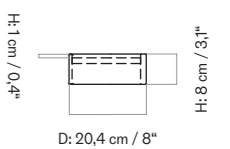
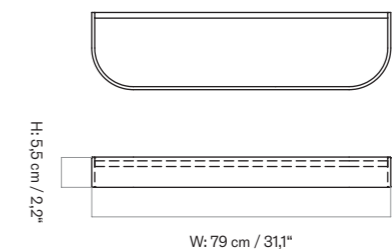
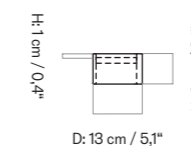
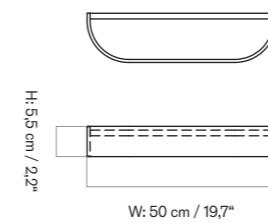
TECHNICAL SPECIFICATIONS

COLLI	WEIGHT	TEST	CERTIFICATIONS
2	50: N / A 79: N / A	N / A	N / A



50

79





EPOCH RACK

Designed by *Nina Bruun*

[BACK TO START](#)

CORE

Curved edges and warm materiality meet on the Epoch Rack, designed for Audo by Nina Bruun. Crafted from oak veneer in two finishes, the streamlined wall-mounted rack brings a natural touch to walls. Multiples can be suspended in rows.

PRODUCT OPTIONS

Rack 50



NATURAL OAK
6215039



DARK STAINED OAK
6215849

Rack 79



NATURAL OAK
6217039



DARK STAINED OAK
6217849

STOCK OPTIONS — PRICES IN SEK

SKU	VARIANT	EXCL. VAT
6215039	EPOCH RACK, 50, NATURAL OAK	1.356,00
6215849	EPOCH RACK, 50, DARK STAINED OAK	1.356,00
6217039	EPOCH RACK, 79, NATURAL OAK	1.756,00
6217849	EPOCH RACK, 79, DARK STAINED OAK	1.756,00

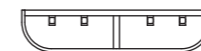
TECHNICAL SPECIFICATIONS

COLLI	WEIGHT	TEST	CERTIFICATIONS
2	50: N / A 79: N / A	N / A	N / A



50

79

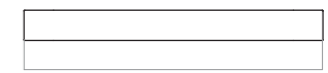
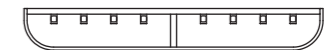


W: 50 cm / 19,7"

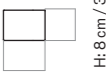


D: 11 cm / 4,3"

H: 8 cm / 3,1"



W: 79 cm / 31,1"



D: 11 cm / 4,3"

H: 8 cm / 3,1"



AFTERROOM COAT HANGER

Designed by *Afteroom*

[BACK TO START](#)

CORE

Powder coated steel hanger with two to six circular hooks.

PRODUCT OPTIONS

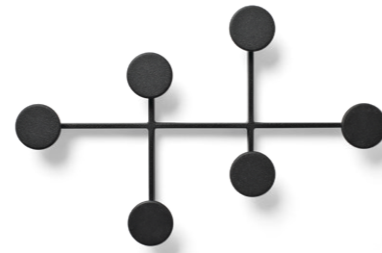
Small



BLACK
8910539

BLACK / BRASS
8910579

Large



BLACK
8900539



BLACK / BRASS
8900579



WHITE
8900639

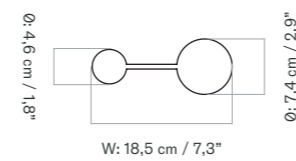
STOCK OPTIONS — PRICES IN SEK

SKU	VARIANT	EXCL. VAT
8910539	AFTERROOM COAT HANGER, SMALL, BLACK	656,00
8910579	AFTERROOM COAT HANGER, SMALL, BLACK / BRASS	656,00
8900539	AFTERROOM COAT HANGER, BLACK	1.096,00
8900579	AFTERROOM COAT HANGER, BLACK / BRASS	1.096,00
8900639	AFTERROOM COAT HANGER, WHITE	1.096,00

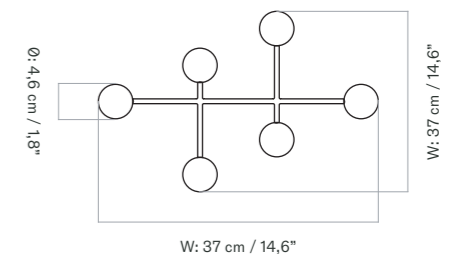
TECHNICAL SPECIFICATIONS

COLLI	WEIGHT	TEST	CERTIFICATIONS
Small: 4 Large: 2	Small: 0,3 kg / 0,66 lb Large: 0,8 kg / 1,76 lb	N / A	N / A

SMALL



LARGE



 Frame 28 →

 Suspension brackets for Frame →

 Frame 35 →

 Frame 49 Trio →

 Frame 35 Sideboard →

 Frame 49 Trio Sideboard →

 Frame 42 →

 Frame Shoe Cabinet →

 Frame 49 →

 Frame View →

 Frame 49 Sideboard →

 Frame Square Standard →

 Frame 70 →

 Door for Frame →

 Shelf for Frame →

 Base for Frame →

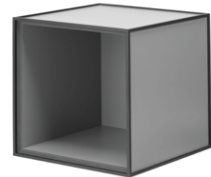
 Double base for Frame →

FRAME 28
Designed by *Søren Lassen*

[BACK TO START](#)

CORE

Frame 28 is a flexible storage solution consisting of a square module in a cubistic frame. The simple storage system is inspired by the Kubus candleholder by Mogens Lassen, based on strict mathematical formulas and designed with the greatest precision. The Frame modules are available in five sizes: 28, 35, 42, 49 and 70, for use in countless contexts. Combine the Frame modules to create a classic bookcase, a nightstand, a room divider or something else entirely. The possible combinations are endless. The Frame modules are available with or without doors, shelves and Drawers, making sure that you can design the perfect storage solution to match your needs for organisation and storage. This variant is a classic Frame 28 module without doors and shelves.



PRODUCT OPTIONS

Material



DARK GREY

LIGHT GREY

FJORD

SAND

WHITE

OAK

BLACK STAINED ASH

SMOKED OAK

Frame



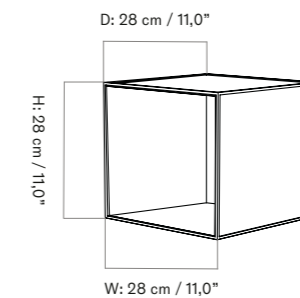
BLACK ALUMINIUM

STOCK OPTIONS — PRICES IN SEK

SKU	VARIANT	EXCL. VAT
BL39141	FRAME 28, 28X28X28, DARK GREY	2.156,00
BL39142	FRAME 28, 28X28X28, LIGHT GREY	2.156,00
BL39143	FRAME 28, 28X28X28, FJORD	2.156,00
BL39144	FRAME 28, 28X28X28, SAND	2.156,00
BL39145	FRAME 28, 28X28X28, WHITE	2.156,00
BL40140	FRAME 28, 28X28X28, OAK	2.476,00
BL40143	FRAME 28, 28X28X28, BLACK STAINED ASH	2.476,00
BL40146	FRAME 28, 28X28X28, SMOKED OAK	2.476,00

TECHNICAL SPECIFICATIONS

COLLI	WEIGHT	TEST	CERTIFICATIONS
1	Melamine: 4,702 kg / 10,37 lb Veneer: 4,702 kg / 10,37 lb	N / A	N / A



FRAME 28 WITH DOOR
Designed by *Søren Lassen*

[BACK TO START](#)

CORE

Frame 28 with a door is a flexible storage solution consisting of a square module in a cubistic frame. The simple storage system is inspired by the Kubus candleholder by Mogens Lassen, based on strict mathematical formulas and designed with the greatest precision. The Frame modules including a door are available in five sizes: 28, 35, 42, 49 and 70, for use in countless contexts. Combine the Frame modules to create a classic bookcase, a nightstand, a room divider or something else entirely. The possible combinations are endless. The Frame modules are available with or without doors, shelves and Drawers, making sure that you can design the perfect storage solution to match your needs for organisation and storage. This variant is a classic Frame 28 module with a door.



PRODUCT OPTIONS

Material



DARK GREY

LIGHT GREY

FJORD

SAND

WHITE

OAK

BLACK STAINED ASH

SMOKED OAK

Frame



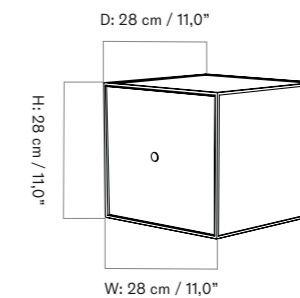
BLACK ALUMINIUM

STOCK OPTIONS — PRICES IN SEK

SKU	VARIANT	EXCL. VAT
BL39341	FRAME 28 WITH DOOR, 28X28X28, DARK GREY	2.636,00
BL39342	FRAME 28 WITH DOOR, 28X28X28, LIGHT GREY	2.636,00
BL39343	FRAME 28 WITH DOOR, 28X28X28, FJORD	2.636,00
BL39344	FRAME 28 WITH DOOR, 28X28X28, SAND	2.636,00
BL39345	FRAME 28 WITH DOOR, 28X28X28, WHITE	2.636,00
BL40340	FRAME 28 WITH DOOR, 28X28X28, OAK	2.956,00
BL40343	FRAME 28 WITH DOOR, 28X28X28, BLACK STAINED ASH	2.956,00
BL40346	FRAME 28 WITH DOOR, 28X28X28, SMOKED OAK	2.956,00

TECHNICAL SPECIFICATIONS

COLLI	WEIGHT	TEST	CERTIFICATIONS
1	Melamine: 4,702 kg / 10,37 lb Veneer: 4,702 kg / 10,37 lb	N / A	N / A





FRAME 35

Designed by *Søren Lassen*

[BACK TO START](#)

CORE

The Frame collection is a flexible storage solution that is inspired by the Kubus candleholder by Mogens Lassen, based on strict mathematical formulas and designed with the greatest precision. The various Frame modules come in different colours and sizes, which can be combined into a classic bookcase, a nightstand, a room divider or something else entirely. The possible combinations are endless.



PRODUCT OPTIONS

Material



DARK GREY



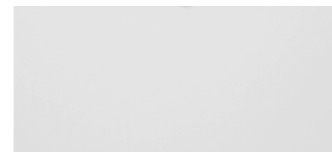
LIGHT GREY



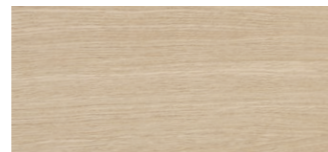
FJORD



SAND



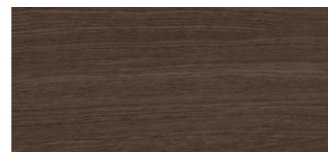
WHITE



OAK



BLACK STAINED ASH



SMOKED OAK

Frame



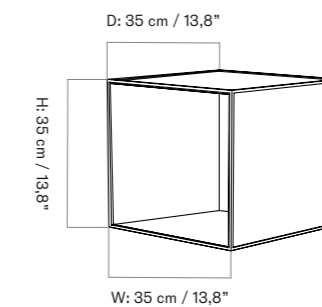
BLACK ALUMINIUM

STOCK OPTIONS — PRICES IN SEK

SKU	VARIANT	EXCL. VAT
BL39151	FRAME 35, 35X35X35, DARK GREY	2.156,00
BL39152	FRAME 35, 35X35X35, LIGHT GREY	2.156,00
BL39153	FRAME 35, 35X35X35, FJORD	2.156,00
BL39154	FRAME 35, 35X35X35, SAND	2.156,00
BL39155	FRAME 35, 35X35X35, WHITE	2.156,00
BL40150	FRAME 35, 35X35X35, OAK	2.716,00
BL40153	FRAME 35, 35X35X35, BLACK STAINED ASH	2.716,00
BL40156	FRAME 35, 35X35X35, SMOKED OAK	2.716,00

TECHNICAL SPECIFICATIONS

COLLI	WEIGHT	TEST	CERTIFICATIONS
1	9,462 kg / 20,86 lb	N / A	N / A





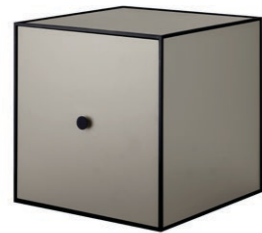
FRAME 35 WITH DOOR

Designed by *Søren Lassen*

[BACK TO START](#)

CORE

The Frame collection is a flexible storage solution that is inspired by the Kubus candleholder by Mogens Lassen, based on strict mathematical formulas and designed with the greatest precision. The various Frame modules come in different colours and sizes, which can be combined into a classic bookcase, a nightstand, a room divider or something else entirely. The possible combinations are endless.



PRODUCT OPTIONS

Material



DARK GREY



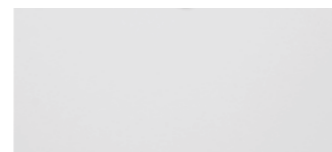
LIGHT GREY



FJORD



SAND



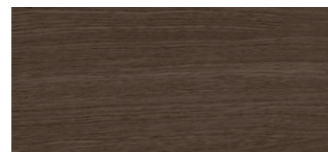
WHITE



OAK



BLACK STAINED ASH



SMOKED OAK

Frame



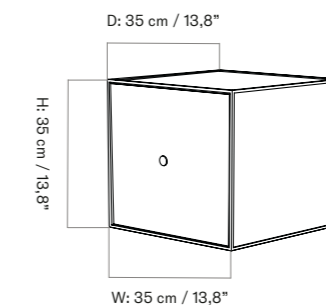
BLACK ALUMINIUM

STOCK OPTIONS — PRICES IN SEK

SKU	VARIANT	EXCL. VAT
BL39351	FRAME 35 WITH DOOR, 35X35X35, DARK GREY	2.956,00
BL39352	FRAME 35 WITH DOOR, 35X35X35, LIGHT GREY	2.956,00
BL39353	FRAME 35 WITH DOOR, 35X35X35, FJORD	2.956,00
BL39354	FRAME 35 WITH DOOR, 35X35X35, SAND	2.956,00
BL39355	FRAME 35 WITH DOOR, 35X35X35, WHITE	2.956,00
BL40350	FRAME 35 WITH DOOR, 35X35X35, OAK	3.596,00
BL40353	FRAME 35 WITH DOOR, 35X35X35, BLACK STAINED ASH	3.596,00
BL40356	FRAME 35 WITH DOOR, 35X35X35, SMOKED OAK	3.596,00

TECHNICAL SPECIFICATIONS

COLLI	WEIGHT	TEST	CERTIFICATIONS
1	9,462 kg / 20,86 lb	N / A	N / A





FRAME 35 WITH ONE DRAWER

Designed by *Søren Lassen*

[BACK TO START](#)

CORE

Frame 35 with one drawer is a flexible storage solution consisting of a square module in a cubistic frame. The simple storage system is inspired by the Kubus candleholder by Mogens Lassen, based on strict mathematical formulas and designed with the greatest precision. Frame with one drawer is available in two sizes: 35 and 49, for use in countless contexts. Combine the Frame modules to create a classic bookcase, a nightstand, a room divider or something else entirely. The possible combinations are endless. The Frame modules are available with or without doors, shelves and Drawers, making sure that you can design the perfect storage solution to match your needs for organisation and storage. This variant is a Frame 35 module with one drawer, featuring a soft-close system and hidden tracks.



PRODUCT OPTIONS

Material



DARK GREY



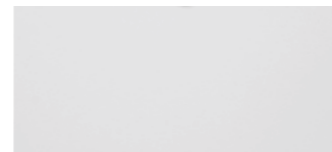
LIGHT GREY



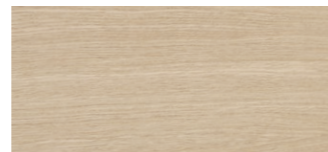
FJORD



SAND



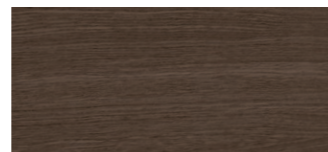
WHITE



OAK



BLACK STAINED ASH



SMOKED OAK

Frame



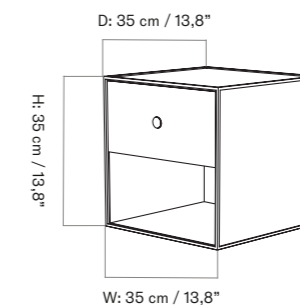
BLACK ALUMINIUM

STOCK OPTIONS — PRICES IN SEK

SKU	VARIANT	EXCL. VAT
BL39511	FRAME 35 WITH ONE DRAWER, 35X35X35, DARK GREY	3.196,00
BL39512	FRAME 35 WITH ONE DRAWER, 35X35X35, LIGHT GREY	3.196,00
BL39513	FRAME 35 WITH ONE DRAWER, 35X35X35, FJORD	3.196,00
BL39514	FRAME 35 WITH ONE DRAWER, 35X35X35, SAND	3.196,00
BL39515	FRAME 35 WITH ONE DRAWER, 35X35X35, WHITE	3.196,00
BL40510	FRAME 35 WITH ONE DRAWER, 35X35X35, OAK	4.636,00
BL40513	FRAME 35 WITH ONE DRAWER, 35X35X35, BLACK STAINED ASH	4.636,00
BL40516	FRAME 35 WITH ONE DRAWER, 35X35X35, SMOKED OAK	4.636,00

TECHNICAL SPECIFICATIONS

COLLI	WEIGHT	TEST	CERTIFICATIONS
1	9,462 kg / 20,86 lb	N / A	N / A





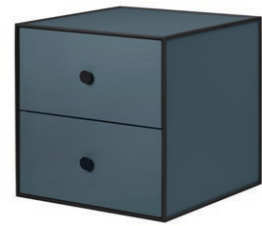
FRAME 35 WITH TWO DRAWERS

Designed by *Søren Lassen*

[BACK TO START](#)

CORE

Frame 35 with two Drawers is a flexible storage solution consisting of a square module in a cubistic frame. The simple storage system is inspired by the Kubus candleholder by Mogens Lassen, based on strict mathematical formulas and designed with the greatest precision. Frame is available in many variants for use in countless contexts. The Frame modules can be hung directly on the wall or stand on their own on the floor. Combine the Frame modules to create a classic bookcase, a nightstand, a room divider or something else entirely. The possible combinations are endless. The Frame modules are available with or without doors, shelves and Drawers, making sure that you can design the perfect storage solution to match your needs for organisation and storage. This variant is a Frame 35 module with two Drawers, featuring a soft-close system and hidden tracks.



PRODUCT OPTIONS

Material



DARK GREY

LIGHT GREY

FJORD

SAND

WHITE

OAK

BLACK STAINED ASH

SMOKED OAK

Frame



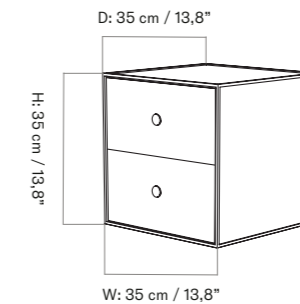
BLACK ALUMINIUM

STOCK OPTIONS — PRICES IN SEK

SKU	VARIANT	EXCL. VAT
BL39501	FRAME 35 WITH TWO DRAWERS, 35X35X35, DARK GREY	3.916,00
BL39502	FRAME 35 WITH TWO DRAWERS, 35X35X35, LIGHT GREY	3.916,00
BL39503	FRAME 35 WITH TWO DRAWERS, 35X35X35, FJORD	3.916,00
BL39504	FRAME 35 WITH TWO DRAWERS, 35X35X35, SAND	3.916,00
BL39505	FRAME 35 WITH TWO DRAWERS, 35X35X35, WHITE	3.916,00
BL40500	FRAME 35 WITH TWO DRAWERS, 35X35X35, OAK	4.636,00
BL40503	FRAME 35 WITH TWO DRAWERS, 35X35X35, BLACK STAINED ASH	4.636,00
BL40506	FRAME 35 WITH TWO DRAWERS, 35X35X35, SMOKED OAK	4.636,00

TECHNICAL SPECIFICATIONS

COLLI	WEIGHT	TEST	CERTIFICATIONS
1	9,462 kg / 20,86 lb	N / A	N / A





FRAME 35 SIDEBOARD WITH ONE DRAWER
Designed by *Søren Lassen*

[BACK TO START](#)

CORE

Frame Sideboard is a flexible storage solution consisting of a square module in a cubistic frame with a cubistic black metal base. The simple storage system is inspired by the Kubus candleholder by Mogens Lassen, based on strict mathematical formulas and designed with the greatest precision. Whether standing alone or as a combination of modules, Frame Sideboard is a beautiful and functional storage solution. Place Frame Sideboard next to the sofa or bed, or use it as a classic spacious bookcase. The Frame module can also be separated from the cubistic Base for Frame and instead hung on the wall if your home needs a new touch, or to cater for changing storage needs. Frame Sideboard is available in different sizes and with one, two or three Drawers, featuring a soft-close system and hidden tracks.



PRODUCT OPTIONS

Material



Frame

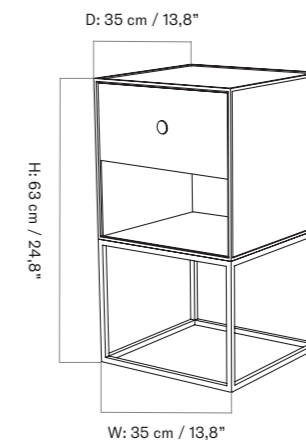


STOCK OPTIONS — PRICES IN SEK

SKU	VARIANT	EXCL. VAT
BL39402	FRAME 35 SIDEBOARD WITH 1 DRAWER, DARK GREY	4.472,00
BL39403	FRAME 35 SIDEBOARD WITH 1 DRAWER, LIGHT GREY	4.472,00
BL39408	FRAME 35 SIDEBOARD WITH 1 DRAWER, FJORD	4.472,00
BL39409	FRAME 35 SIDEBOARD WITH 1 DRAWER, SAND	4.472,00
BL39405	FRAME 35 SIDEBOARD WITH 1 DRAWER, WHITE	4.472,00
BL39401	FRAME 35 SIDEBOARD WITH 1 DRAWER, OAK	5.912,00
BL39404	FRAME 35 SIDEBOARD WITH 1 DRAWER, BLACK STAINED ASH	5.912,00
BL39406	FRAME 35 SIDEBOARD WITH 1 DRAWER, SMOKED OAK	5.912,00

TECHNICAL SPECIFICATIONS

COLLI	WEIGHT	TEST	CERTIFICATIONS
1	13,818 kg / 30,46 lb	N / A	N / A





FRAME 35 SIDEBOARD WITH TWO DRAWERS
Designed by *Søren Lassen*

[BACK TO START](#)

CORE

Frame Sideboard is a flexible storage solution consisting of a square module in a cubistic frame with a cubistic black metal base. The simple storage system is inspired by the Kubus candleholder by Mogens Lassen, based on strict mathematical formulas and designed with the greatest precision. Whether standing alone or as a combination of modules, Frame Sideboard is a beautiful and functional storage solution. Place Frame Sideboard next to the sofa or bed, or use it as a classic spacious bookcase. The Frame module can also be separated from the cubistic Base for Frame and instead hung on the wall if your home needs a new touch, or to cater for changing storage needs. Frame Sideboard is available in different sizes and with one, two or three Drawers, featuring a soft-close system and hidden tracks.



PRODUCT OPTIONS

Material



DARK GREY

LIGHT GREY



FJORD

SAND



WHITE

OAK



BLACK STAINED ASH

SMOKED OAK

Frame



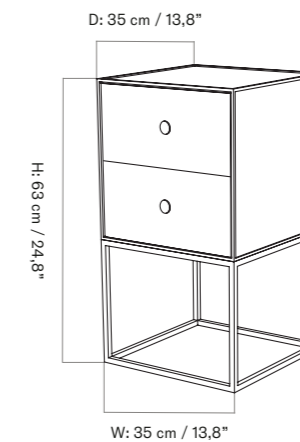
BLACK ALUMINIUM

STOCK OPTIONS — PRICES IN SEK

SKU	VARIANT	EXCL. VAT
BL39412	FRAME 35 SIDEBOARD WITH 2 DRAWERS, DARK GREY	5.192,00
BL39413	FRAME 35 SIDEBOARD WITH 2 DRAWERS, LIGHT GREY	5.192,00
BL39418	FRAME 35 SIDEBOARD WITH 2 DRAWERS, FJORD	5.192,00
BL39419	FRAME 35 SIDEBOARD WITH 2 DRAWERS, SAND	5.192,00
BL39415	FRAME 35 SIDEBOARD WITH 2 DRAWERS, WHITE	5.192,00
BL39411	FRAME 35 SIDEBOARD WITH 2 DRAWERS, OAK	5.912,00
BL39414	FRAME 35 SIDEBOARD WITH 2 DRAWERS, BLACK STAINED ASH	5.912,00
BL39416	FRAME 35 SIDEBOARD WITH 2 DRAWERS, SMOKED OAK	5.912,00

TECHNICAL SPECIFICATIONS

COLLI	WEIGHT	TEST	CERTIFICATIONS
1	15,80 kg / 34 lb	N / A	N / A





FRAME 42

Designed by *Søren Lassen*

[BACK TO START](#)

CORE

Frame 42 is a flexible storage solution consisting of a square module in a cubistic frame. The simple storage system is inspired by the Kubus candleholder by Mogens Lassen, based on strict mathematical formulas and designed with the greatest precision. The Frame modules are available in five sizes: 28, 35, 42, 49 and 70, for use in countless contexts. Combine the Frame modules to create a classic bookcase, a nightstand, a room divider or something else entirely. The possible combinations are endless. The Frame modules are available with or without doors, shelves and Drawers, making sure that you can design the perfect storage solution to match your needs for organisation and storage. This variant is a classic Frame 42 module without doors and shelves.



PRODUCT OPTIONS

Material



DARK GREY

LIGHT GREY



FJORD

SAND



WHITE

OAK



BLACK STAINED ASH

SMOKED OAK

Frame



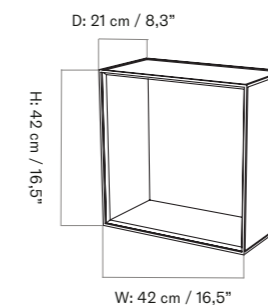
BLACK ALUMINIUM

STOCK OPTIONS — PRICES IN SEK

SKU	VARIANT	EXCL. VAT
BL39161	FRAME 42, 21X42X42, DARK GREY	2.396,00
BL39162	FRAME 42, 21X42X42, LIGHT GREY	2.396,00
BL39163	FRAME 42, 21X42X42, FJORD	2.396,00
BL39164	FRAME 42, 21X42X42, SAND	2.396,00
BL39165	FRAME 42, 21X42X42, WHITE	2.396,00
BL40160	FRAME 42, 21X42X42, OAK	2.956,00
BL40163	FRAME 42, 21X42X42, BLACK STAINED ASH	2.956,00
BL40166	FRAME 42, 21X42X42, SMOKED OAK	2.956,00

TECHNICAL SPECIFICATIONS

COLLI	WEIGHT	TEST	CERTIFICATIONS
1	Melamine: 4,702 kg / 10,37 lb Veneer: 4,702 kg / 10,37 lb	N / A	N / A





FRAME 42 WITH DOOR

Designed by *Søren Lassen*

[BACK TO START](#)

CORE

Frame 42 with a door is a flexible storage solution consisting of a square module in a cubistic frame. The simple storage system is inspired by the Kubus candleholder by Mogens Lassen, based on strict mathematical formulas and designed with the greatest precision. The Frame modules including a door are available in five sizes: 28, 35, 42 and 49, for use in countless contexts. The modules can be hung directly on the wall or stand on their own on the floor. Combine the Frame modules to create a classic bookcase, a nightstand, a room divider or something else entirely. The possible combinations are endless. The Frame modules are available with or without doors, shelves and Drawers, making sure that you can design the perfect storage solution to match your needs for organisation and storage. This variant is a classic Frame 42 module with a door.



PRODUCT OPTIONS

Material



DARK GREY



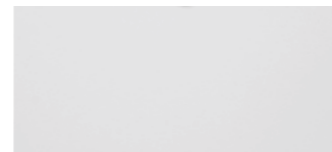
LIGHT GREY



FJORD



SAND



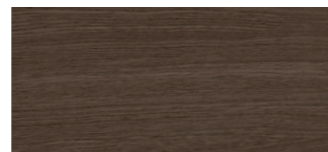
WHITE



OAK



BLACK STAINED ASH



SMOKED OAK

Frame



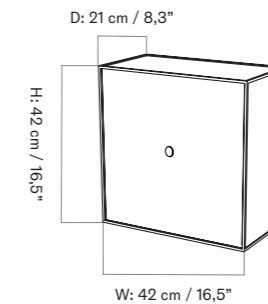
BLACK ALUMINIUM

STOCK OPTIONS — PRICES IN SEK

SKU	VARIANT	EXCL. VAT
BL39361	FRAME 42 WITH DOOR, 21X42X42, DARK GREY	2.956,00
BL39362	FRAME 42, WITH DOOR, 21X42X42, LIGHT GREY	2.956,00
BL39363	FRAME 42 WITH DOOR, 21X42X42, FJORD	2.956,00
BL39364	FRAME 42 WITH DOOR, 21X42X42, SAND	2.956,00
BL39365	FRAME 42 WITH DOOR, 21X42X42, WHITE	2.956,00
BL40360	FRAME 42 WITH DOOR, 21X42X42, OAK	3.596,00
BL40363	FRAME 42, WITH DOOR, 21X42X42, BLACK STAINED ASH	3.596,00
BL40366	FRAME 42 WITH DOOR, 21X42X42, SMOKED OAK	3.596,00

TECHNICAL SPECIFICATIONS

COLLI	WEIGHT	TEST	CERTIFICATIONS
1	10,362 kg / 22,84 lb	N / A	N / A





FRAME 49

Designed by *Søren Lassen*

[BACK TO START](#)

CORE

Frame 49 with one shelf is a flexible storage solution consisting of a square module in a cubistic frame. The simple storage system is inspired by the Kubus candleholder by Mogens Lassen, based on strict mathematical formulas and designed with the greatest precision. The Frame modules are available in five sizes: 28, 35, 42, 49 and 70, for use in countless contexts. The modules can be hung directly on the wall or stand on their own on the floor. Combine the Frame modules to create a classic bookcase, a nightstand, a room divider or something else entirely. The possible combinations are endless. The Frame modules are available with or without doors, shelves and Drawers, making sure that you can design the perfect storage solution to match your needs for organisation and storage. This variant is a classic Frame 49 module without doors and with one shelf.



PRODUCT OPTIONS

Material



Frame

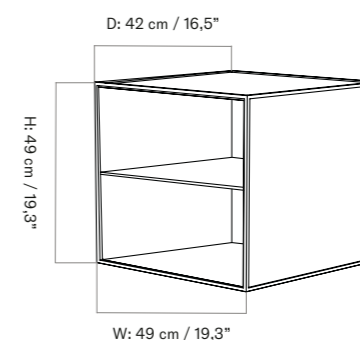


STOCK OPTIONS — PRICES IN SEK

SKU	VARIANT	EXCL. VAT
BL39271	FRAME 49, DARK GREY	4.156,00
BL39272	FRAME 49, LIGHT GREY	4.156,00
BL39273	FRAME 49, FJORD	4.156,00
BL39274	FRAME 49, SAND	4.156,00
BL39275	FRAME 49, WHITE	4.156,00
BL40270	FRAME 49, OAK	4.396,00
BL40273	FRAME 49, BLACK STAINED ASH	4.716,00
BL40276	FRAME 49, SMOKED OAK	4.396,00

TECHNICAL SPECIFICATIONS

COLLI	WEIGHT	TEST	CERTIFICATIONS
1	9,362 kg / 20,64 lb	N / A	N / A





FRAME 49 WITH DOOR INCL. SHELF
Designed by *Søren Lassen*

[BACK TO START](#)

CORE

Frame 49 with a door and one shelf is a flexible storage solution consisting of a square module in a cubistic frame. The simple storage system is inspired by the Kubus candleholder by Mogens Lassen, based on strict mathematical formulas and designed with the greatest precision. The Frame modules including a door are available in five sizes: 28, 35, 42, 49 and 70, for use in countless contexts. The modules can be hung directly on the wall or stand on their own on the floor. Combine the Frame modules to create a classic bookcase, a nightstand, a room divider or something else entirely. The possible combinations are endless. The Frame modules are available with or without doors, shelves and Drawers, making sure that you can design the perfect storage solution to match your needs for organisation and storage. This variant is a classic Frame 49 module with a door and one shelf.



PRODUCT OPTIONS

Material



Frame



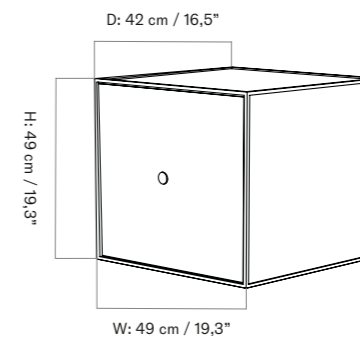
BLACK ALUMINIUM

STOCK OPTIONS — PRICES IN SEK

SKU	VARIANT	EXCL. VAT
BL39371	FRAME 49 WITH DOOR AND SHELF, DARK GREY	4.236,00
BL39372	FRAME 49 WITH DOOR AND SHELF, LIGHT GREY	4.236,00
BL39373	FRAME 49 WITH DOOR AND SHELF FJORD	4.236,00
BL39374	FRAME 49 WITH DOOR AND SHELF SAND	4.236,00
BL39375	FRAME 49, WITH DOOR AND SHELF, WHITE	4.236,00
BL40370	FRAME 49, WITH DOOR AND SHELF, OAK	5.116,00
BL40373	FRAME 49, WITH DOOR AND SHELF, BLACK STAINED ASH	5.116,00
BL40376	FRAME 49, WITH DOOR AND SHELF, SMOKED OAK	5.116,00

TECHNICAL SPECIFICATIONS

COLLI	WEIGHT	TEST	CERTIFICATIONS
1	17,756 kg / 39,15 lb	N / A	N / A





FRAME 49 WITH ONE DRAWER
Designed by *Søren Lassen*

[BACK TO START](#)

CORE

Frame 49 with one drawer is a flexible storage solution consisting of a square module in a cubistic frame. The simple storage system is inspired by the Kubus candleholder by Mogens Lassen, based on strict mathematical formulas and designed with the greatest precision. Frame with one drawer is available in two sizes: 35 and 49, for use in countless contexts. The Frame modules can be hung directly on the wall or stand on their own on the floor. Combine the Frame modules to create a classic bookcase, a nightstand, a room divider or something else entirely. The possible combinations are endless. The Frame modules are available with or without doors, shelves and Drawers, making sure that you can design the perfect storage solution to match your needs for organisation and storage. This variant is a Frame 49 module with one drawer, featuring a soft-close system and hidden tracks.



PRODUCT OPTIONS

Material



Frame

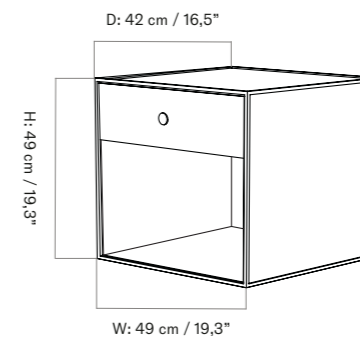


STOCK OPTIONS — PRICES IN SEK

SKU	VARIANT	EXCL. VAT
BL39611	FRAME 49 WITH 1 DRAWER, DARK GREY	5.276,00
BL39612	FRAME 49 WITH 1 DRAWER, LIGHT GREY	5.276,00
BL39613	FRAME 49 WITH 1 DRAWER, FJORD	5.276,00
BL39614	FRAME 49 WITH 1 DRAWER, SAND	5.276,00
BL39615	FRAME 49 WITH 1 DRAWER, WHITE	5.276,00
BL40610	FRAME 49 WITH 1 DRAWER, OAK	5.996,00
BL40613	FRAME 49 WITH 1 DRAWER, BLACK STAINED ASH	5.996,00
BL40616	FRAME 49 WITH 1 DRAWER, SMOKED OAK	5.996,00

TECHNICAL SPECIFICATIONS

COLLI	WEIGHT	TEST	CERTIFICATIONS
1	17,756 kg / 39,15 lb	N / A	N / A





FRAME 49 WITH THREE DRAWERS
Designed by *Søren Lassen*

[BACK TO START](#)

CORE

Frame 49 with three Drawers is a flexible storage solution consisting of a square module in a cubistic frame. The simple storage system is inspired by the Kubus candleholder by Mogens Lassen, based on strict mathematical formulas and designed with the greatest precision. Frame is available in many variants for use in countless contexts. The Frame modules can be hung directly on the wall or stand on their own on the floor. Combine the Frame modules to create a classic bookcase, a nightstand, a room divider or something else entirely. The possible combinations are endless. The Frame modules are available with or without doors, shelves and Drawers, making sure that you can design the perfect storage solution to match your needs for organisation and storage. This variant is a Frame 49 module with three Drawers, featuring a soft-close system and hidden tracks.



PRODUCT OPTIONS

Material



DARK GREY

LIGHT GREY



FJORD

SAND



WHITE

OAK



BLACK STAINED ASH

SMOKED OAK

Frame



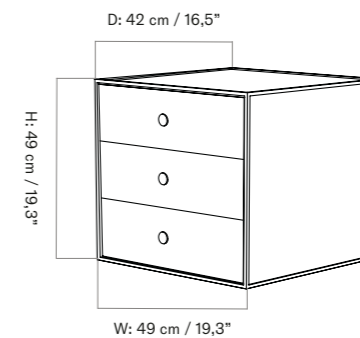
BLACK ALUMINIUM

STOCK OPTIONS — PRICES IN SEK

SKU	VARIANT	EXCL. VAT
BL39601	FRAME 49 WITH 3 DRAWERS, DARK GREY	5.996,00
BL39602	FRAME 49 WITH 3 DRAWERS, LIGHT GREY	5.996,00
BL39603	FRAME 49 WITH 3 DRAWERS, FJORD	5.996,00
BL39604	FRAME 49 WITH 3 DRAWERS, SAND	5.996,00
BL39605	FRAME 49 WITH 3 DRAWERS, WHITE	5.996,00
BL40600	FRAME 49 WITH 3 DRAWERS, OAK	6.796,00
BL40603	FRAME 49 WITH 3 DRAWERS, BLACK STAINED ASH	6.796,00
BL40606	FRAME 49 WITH 3 DRAWERS, SMOKED OAK	6.796,00

TECHNICAL SPECIFICATIONS

COLLI	WEIGHT	TEST	CERTIFICATIONS
1	17,756 kg / 39,15 lb	N / A	N / A





FRAME 49 SIDEBORD WITH ONE DRAWER
Designed by *Søren Lassen*

[BACK TO START](#)

CORE

Frame Sideboard is a flexible storage solution consisting of a square module in a cubistic frame with a cubistic black metal base. The simple storage system is inspired by the Kubus candleholder by Mogens Lassen, based on strict mathematical formulas and designed with the greatest precision. Whether standing alone or as a combination of modules, Frame Sideboard is a beautiful and functional storage solution. Place Frame Sideboard next to the sofa or bed, or use it as a classic spacious bookcase. The Frame module can also be separated from the cubistic Base for Frame and instead hung on the wall if your home needs a new touch, or to cater for changing storage needs. Frame Sideboard is available in different sizes and with one, two or three Drawers, featuring a soft-close system and hidden tracks.



PRODUCT OPTIONS

Material



DARK GREY

LIGHT GREY

FJORD

SAND

WHITE

OAK

BLACK STAINED ASH

SMOKED OAK

Frame



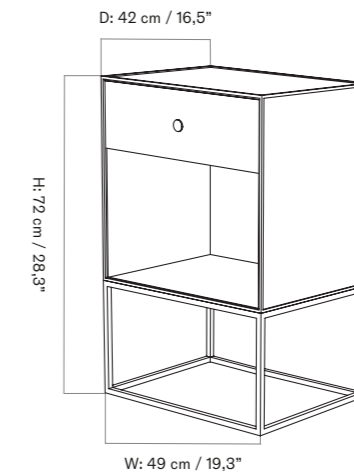
BLACK ALUMINIUM

STOCK OPTIONS — PRICES IN SEK

SKU	VARIANT	EXCL. VAT
BL39422	FRAME 49 SIDEBORD WITH 1 DRAWER, DARK GREY	7.112,00
BL39423	FRAME 49 SIDEBORD WITH 1 DRAWER, LIGHT GREY	7.112,00
BL39428	FRAME 49 SIDEBORD WITH 1 DRAWER, FJORD	7.112,00
BL39429	FRAME 49 SIDEBORD WITH 1 DRAWER, SAND	7.112,00
BL39425	FRAME 49 SIDEBORD WITH 1 DRAWER, WHITE	7.112,00
BL39421	FRAME 49 SIDEBORD WITH 1 DRAWER, OAK	7.832,00
BL39424	FRAME 49 SIDEBORD WITH 1 DRAWER, BLACK STAINED ASH	7.832,00
BL39426	FRAME 49 SIDEBORD WITH 1 DRAWER, SMOKED OAK	7.832,00

TECHNICAL SPECIFICATIONS

COLLI	WEIGHT	TEST	CERTIFICATIONS
1	16,354 kg / 36,05 lb	N / A	N / A





FRAME 49 SIDEBOARD WITH THREE DRAWERS
Designed by *Søren Lassen*

[BACK TO START](#)

CORE

Frame Sideboard is a flexible storage solution consisting of a square module in a cubistic frame with a cubistic black metal base. The simple storage system is inspired by the Kubus candleholder by Mogens Lassen, based on strict mathematical formulas and designed with the greatest precision. Whether standing alone or as a combination of modules, Frame Sideboard is a beautiful and functional storage solution. Place Frame Sideboard next to the sofa or bed, or use it as a classic spacious bookcase. The Frame module can also be separated from the cubistic Base for Frame and instead hung on the wall if your home needs a new touch, or to cater for changing storage needs. Frame Sideboard is available in different sizes and with one, two or three Drawers, featuring a soft-close system and hidden tracks.



PRODUCT OPTIONS

Material



Frame

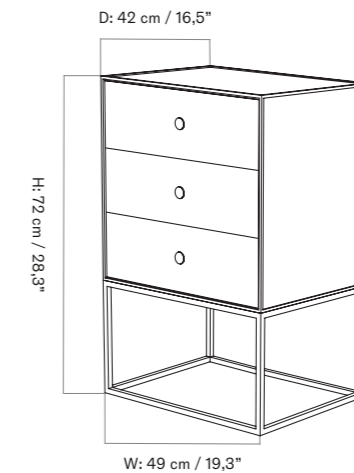


STOCK OPTIONS — PRICES IN SEK

SKU	VARIANT	EXCL. VAT
BL39432	FRAME 49 SIDEBOARD WITH 3 DRAWERS, DARK GREY	7.832,00
BL39433	FRAME 49 SIDEBOARD WITH 3 DRAWERS, LIGHT GREY	7.832,00
BL39438	FRAME 49 SIDEBOARD WITH 3 DRAWERS, FJORD	7.832,00
BL39439	FRAME 49 SIDEBOARD WITH 3 DRAWERS, SAND	7.832,00
BL39435	FRAME 49 SIDEBOARD WITH 3 DRAWERS, WHITE	7.832,00
BL39431	FRAME 49 SIDEBOARD WITH 3 DRAWERS, OAK	8.632,00
BL39434	FRAME 49 SIDEBOARD WITH 3 DRAWERS, BLACK STAINED ASH	8.632,00
BL39436	FRAME 49 SIDEBOARD WITH 3 DRAWERS, SMOKED OAK	8.632,00

TECHNICAL SPECIFICATIONS

COLLI	WEIGHT	TEST	CERTIFICATIONS
1	16,354 kg / 36,05 lb	N / A	N / A





CORE

FRAME 70 WITH TWO SHELVES EXCLUDING DOOR

Designed by *Audo*

[BACK TO START](#)

The versatile and sleek Frame 70 allows you to create entirely new combinations and a new geometric expression for existing or new Frame arrangements. Frame 70 is designed based on the same cubist thinking as the rest of the collection, but it is now taller and slimmer. This makes it possible to use it in narrow places or tight spaces. Frame 70 can also be used to supplement, so the personal Frame arrangement gets a new and updated look. The Frame 70 module can be hung directly on the wall or stand on their own on the floor on the cubistic base "Base for Frame 35", that both fits the Frame 70 and the Frame 35 modules. Combine the Frame modules to a classic bookcase, a nightstand, a room divider, or something else. The Frame modules are available with or without doors, shelves, or Drawers, so you can find the storage solution that matches your need for organisation and storage. This variant contains a Frame 70 with two shelves. The entire Frame collection are manufactured and assembled by hand in Denmark. Just as the collection unites functionality, quality, and aesthetics.



PRODUCT OPTIONS

Material



DARK GREY



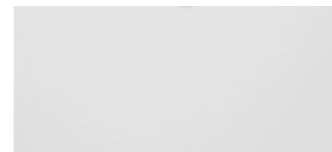
LIGHT GREY



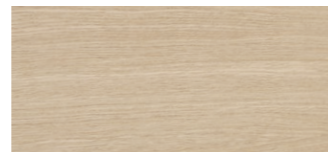
FJORD



SAND



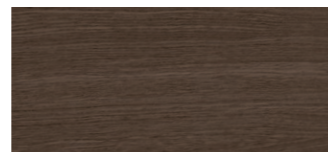
WHITE



OAK



BLACK STAINED ASH



SMOKED OAK

Frame



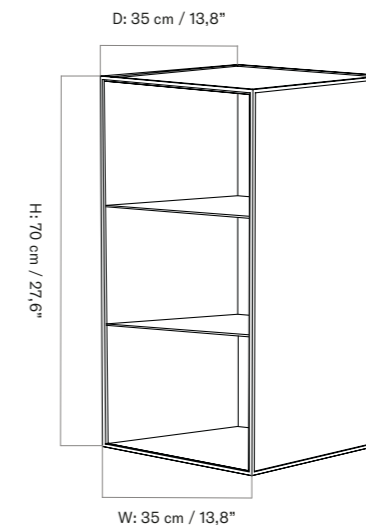
BLACK ALUMINIUM

STOCK OPTIONS — PRICES IN SEK

SKU	VARIANT	EXCL. VAT
BL39801	FRAME 70 EXCL. DOOR, INCL. 2 SHELVES, DARK GREY	3.276,00
BL39802	FRAME 70 EXCL. DOOR, INCL. 2 SHELVES, LIGHT GREY	3.276,00
BL39803	FRAME 70 EXCL. DOOR, INCL. 2 SHELVES, FJORD	3.356,00
BL39804	FRAME 70 EXCL. DOOR, INCL. 2 SHELVES, SAND	3.276,00
BL39805	FRAME 70 EXCL. DOOR, INCL. 2 SHELVES, WHITE	3.356,00
BL42800	FRAME 70 EXCL. DOOR, INCL. 2 SHELVES, OAK	4.156,00
BL42803	FRAME 70 EXCL. DOOR, INCL. 2 SHELVES, BLACK STAINED ASH	4.156,00
BL42806	FRAME 70 EXCL. DOOR, INCL. 2 SHELVES, SMOKED OAK	4.156,00

TECHNICAL SPECIFICATIONS

COLLI	WEIGHT	TEST	CERTIFICATIONS
1	9,957 kg / 21,95 lb	N / A	N / A





CORE

FRAME 70 WITH DOOR AND TWO SHELVES

Designed by *Audo*

[BACK TO START](#)

The versatile and sleek Frame 70 allows you to create entirely new combinations and a new geometric expression for existing or new Frame arrangements. Frame 70 is designed based on the same cubist thinking as the rest of the collection, but it is now taller and slimmer. This makes it possible to use it in narrow places or tight spaces. Frame 70 can also be used to supplement, so the personal Frame arrangement gets a new and updated look. The Frame 70 module can be hung directly on the wall or stand on their own on the floor on the cubistic base "Base for Frame 35", that both fits the Frame 70 and the Frame 35 modules. Combine the Frame modules to a classic bookcase, a nightstand, a room divider, or something else. The Frame modules are available with or without doors, shelves, or Drawers, so you can find the storage solution that matches your need for organisation and storage. This variant contains a Frame 70 with a door and two shelves. The entire Frame collection are manufactured and assembled by hand in Denmark. Just as the collection unites functionality, quality, and aesthetics.



PRODUCT OPTIONS

Material



DARK GREY



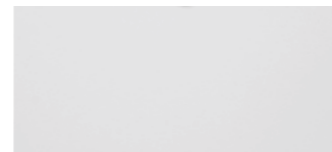
LIGHT GREY



FJORD



SAND



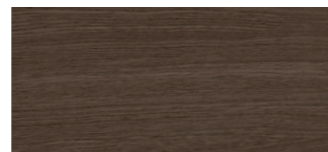
WHITE



OAK



BLACK STAINED ASH



SMOKED OAK

Frame



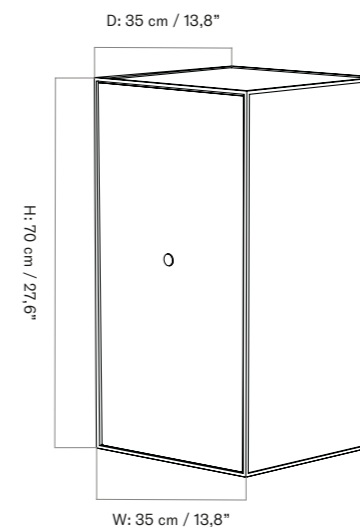
BLACK ALUMINIUM

STOCK OPTIONS — PRICES IN SEK

SKU	VARIANT	EXCL. VAT
BL39811	FRAME 70 INCL. DOOR, INCL. 2 SHELVES, DARK GREY	4.076,00
BL39812	FRAME 70 INCL. DOOR, INCL. 2 SHELVES, LIGHT GREY	4.076,00
BL39813	FRAME 70 INCL. DOOR, INCL. 2 SHELVES, FJORD	4.076,00
BL39814	FRAME 70 INCL. DOOR, INCL. 2 SHELVES, SAND	4.076,00
BL39815	FRAME 70 INCL. DOOR, INCL. 2 SHELVES, WHITE	4.076,00
BL42810	FRAME 70 INCL. DOOR, INCL. 2 SHELVES, OAK	5.116,00
BL42813	FRAME 70 INCL. DOOR, INCL. 2 SHELVES, BLACK STAINED ASH	5.116,00
BL42816	FRAME 70 INCL. DOOR, INCL. 2 SHELVES, SMOKED OAK	5.116,00

TECHNICAL SPECIFICATIONS

COLLI	WEIGHT	TEST	CERTIFICATIONS
1	9,957 kg / 21,95 lb	N / A	N / A





CORE

FRAME 70 WITH ONE SHELF AND TWO DRAWERS

Designed by *Audo*

[BACK TO START](#)

The versatile and sleek Frame 70 allows you to create entirely new combinations and a new geometric expression for existing or new Frame arrangements. Frame 70 is designed based on the same cubist thinking as the rest of the collection, but it is now taller and slimmer. This makes it possible to use it in narrow places or tight spaces. Frame 70 can also be used to supplement, so the personal Frame arrangement gets a new and updated look. The Frame 70 module can be hung directly on the wall or stand on their own on the floor on the cubistic base "Base for Frame 35", that both fits the Frame 70 and the Frame 35 modules. Combine the Frame modules to a classic bookcase, a nightstand, a room divider, or something else. The Frame modules are available with or without doors, shelves, or Drawers, so you can find the storage solution that matches your need for organisation and storage. This variant contains a Frame 70 with a shelf and two Drawers. The entire Frame collection are manufactured and assembled by hand in Denmark. Just as the collection unites functionality, quality, and aesthetics.



PRODUCT OPTIONS

Material



DARK GREY



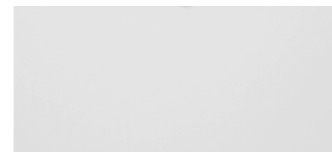
LIGHT GREY



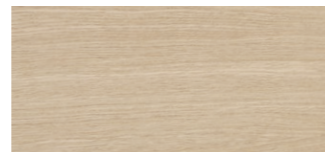
FJORD



SAND



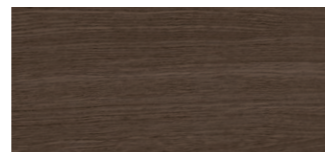
WHITE



OAK



BLACK STAINED ASH



SMOKED OAK

Frame



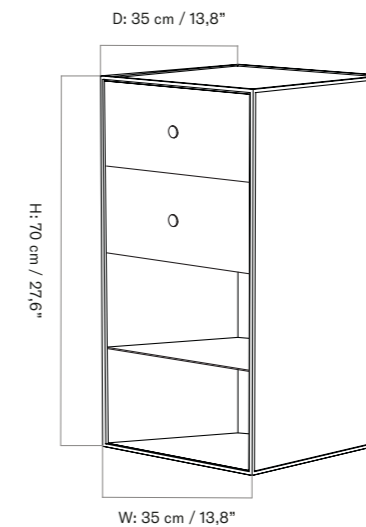
BLACK ALUMINIUM

STOCK OPTIONS — PRICES IN SEK

SKU	VARIANT	EXCL. VAT
BL39821	FRAME 70 INCL. 1 SHELF AND 2 DRAWERS, DARK GREY	4.956,00
BL39822	FRAME 70 INCL. 1 SHELF AND 2 DRAWERS, LIGHT GREY	4.956,00
BL39823	FRAME 70 INCL. 1 SHELF AND 2 DRAWERS, FJORD	4.956,00
BL39824	FRAME 70 INCL. 1 SHELF AND 2 DRAWERS, SAND	4.956,00
BL39825	FRAME 70 INCL. 1 SHELF AND 2 DRAWERS, WHITE	4.956,00
BL42820	FRAME 70 INCL. 1 SHELF AND 2 DRAWERS, OAK	5.916,00
BL42823	FRAME 70 INCL. 1 SHELF AND 2 DRAWERS, BLACK STAINED ASH	5.916,00
BL42826	FRAME 70 INCL. 1 SHELF AND 2 DRAWERS, SMOKED OAK	5.916,00

TECHNICAL SPECIFICATIONS

COLLI	WEIGHT	TEST	CERTIFICATIONS
1	9,957 kg / 21,95 lb	N / A	N / A





DOOR FOR FRAME
Designed by *Søren Lassen*

[BACK TO START](#)

CORE

With a Frame door, you can further refine your storage solution. The doors are available in five sizes: 28, 35, 42, 49 and 70 to match the sizes of the Frame storage modules. The Frame collection is a flexible storage solution that is inspired by the Kubus candleholder by Mogens Lassen, based on strict mathematical formulas and designed with the greatest precision. The various Frame modules come in different colours and sizes, which can be combined into a classic bookcase, a nightstand, a room divider or something else entirely. The possible combinations are endless.



PRODUCT OPTIONS

Material



TECHNICAL SPECIFICATIONS

COLLI	WEIGHT	TEST	CERTIFICATIONS
1	28: 0,624 kg / 1,38 lb 35: 0,633 kg / 1,4 lb 42: 0,484 kg / 1,07 lb 49: 0,332 kg / 0,73 lb 70: 1,533 kg / 3,38 lb	N / A	N / A







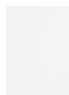


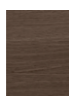


DOOR FOR FRAME
Designed by *Søren Lassen*





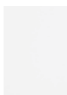


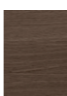
[BACK TO START](#)

CORE

STOCK OPTIONS — PRICES IN SEK

SKU	VARIANT	EXCL. VAT
<i>Door for Frame 28</i>		
BL39751	 DOOR FOR FRAME 28, DARK GREY	484,00
BL39752	 DOOR FOR FRAME 28, LIGHT GREY	484,00
BL39753	 DOOR FOR FRAME 28, FJORD	484,00
BL39754	 DOOR FOR FRAME 28, SAND	484,00
BL39755	 DOOR FOR FRAME 28, WHITE	604,00
BL40750	 DOOR FOR FRAME 28, OAK	664,00
BL40753	 DOOR FOR FRAME 28, BLACK STAINED ASH	664,00
BL40774	 DOOR FOR FRAME 28, SMOKED OAK	664,00

STOCK OPTIONS — PRICES IN SEK

SKU	VARIANT	EXCL. VAT
<i>Door for Frame 35</i>		
BL39757	 DOOR FOR FRAME 35, DARK GREY	544,00
BL39758	 DOOR FOR FRAME 35, LIGHT GREY	664,00
BL39759	 DOOR FOR FRAME 35, FJORD	544,00
BL39760	 DOOR FOR FRAME 35, SAND	544,00
BL39761	 DOOR FOR FRAME 35, WHITE	664,00
BL40756	 DOOR FOR FRAME 35, OAK	784,00
BL40759	 DOOR FOR FRAME 35, BLACK STAINED ASH	784,00
BL40775	 DOOR FOR FRAME 35, SMOKED OAK	784,00







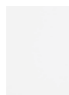
DOOR FOR FRAME

Designed by *Søren Lassen*





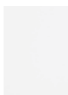


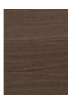
[BACK TO START](#)

CORE

STOCK OPTIONS — PRICES IN SEK

SKU	VARIANT	EXCL. VAT
<i>Door for Frame 42</i>		
BL39763	 DOOR FOR FRAME 42, DARK GREY	664,00
BL39764	 DOOR FOR FRAME 42, LIGHT GREY	664,00
BL39765	 DOOR FOR FRAME 42, FJORD	664,00
BL39766	 DOOR FOR FRAME 42, SAND	544,00
BL39767	 DOOR FOR FRAME 42, WHITE	664,00

STOCK OPTIONS — PRICES IN SEK





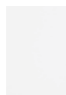
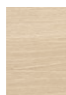

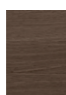
SKU	VARIANT	EXCL. VAT
<i>Door for Frame 49</i>		
BL39769	 DOOR FOR FRAME 49, DARK GREY	844,00
BL39770	 DOOR FOR FRAME 49, LIGHT GREY	844,00
BL39774	 DOOR FOR FRAME 49, FJORD	724,00
BL39775	 DOOR FOR FRAME 49, SAND	724,00
BL39773	 DOOR FOR FRAME 49, WHITE	784,00
BL40768	 DOOR FOR FRAME 49, OAK	964,00
BL40771	 DOOR FOR FRAME 49, BLACK STAINED ASH	964,00
BL40777	 DOOR FOR FRAME 49, SMOKED OAK	964,00

DOOR FOR FRAME
Designed by *Søren Lassen*

[BACK TO START](#)

CORE

STOCK OPTIONS — PRICES IN SEK

SKU	VARIANT	EXCL. VAT
<i>Door for Frame 70</i>		
BL39791	 DOOR FOR FRAME 70, DARK GREY	844,00
BL39792	 DOOR FOR FRAME 70, LIGHT GREY	844,00
BL39793	 DOOR FOR FRAME 70, FJORD	844,00
BL39794	 DOOR FOR FRAME 70, SAND	844,00
BL39795	 DOOR FOR FRAME 70, WHITE	844,00
BL40790	 DOOR FOR FRAME 70, OAK	964,00
BL40793	 DOOR FOR FRAME 70, BLACK STAINED ASH	964,00
BL40796	 DOOR FOR FRAME 70, SMOKED OAK	964,00



FRAME 70, material *Fjord*, designer *Audo*
DOOR FOR FRAME 70, material *Fjord*, designer *Audo*
FRAME 70 INCL. 1 SHELF AND 2 DRAWERS, material *Fjord*, designer *Audo*
KUBUS 1, material *black*, designer *Audo*
KUBUS BOWL, material *black*, designer *Audo*

SHELF FOR FRAME
Designed by *Søren Lassen*

[BACK TO START](#)

CORE

With a Frame shelf, you can further enhance your storage solution, making it easier to keep everything tidy. The shelves are available in three sizes: 35, 42 and 49 to match the Frame storage modules. The Shelf for Frame 35 also fits into Frame 70. The Frame collection is a flexible storage solution that is inspired by the Kubus candleholder by Mogens Lassen, based on strict mathematical formulas and designed with the greatest precision. The various Frame modules come in different colours and sizes, which can be combined into a classic bookcase, a nightstand, a room divider or something else entirely. The possible combinations are endless. The Frame modules can be hung directly on the wall or stand on their own on the floor.



PRODUCT OPTIONS

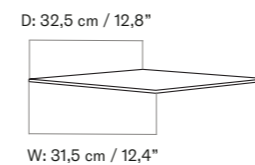
Material



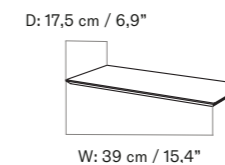
TECHNICAL SPECIFICATIONS

COLLI	WEIGHT	TEST	CERTIFICATIONS
1	35: 0,753 kg / 1,66 lb 42: 0,82 kg / 1,81 lb 49: 0,575 kg / 1,27 lb 70: 0,753 kg / 1,66 lb	N / A	N / A

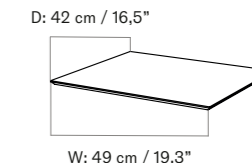
35 / 70



42



49





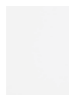


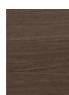


SHELF FOR FRAME
Designed by *Søren Lassen*





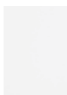


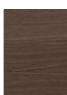
[BACK TO START](#)

CORE

STOCK OPTIONS — PRICES IN SEK

SKU	VARIANT	EXCL. VAT
<i>Shelf for Frame 35 and 70</i>		
BL39721	 SHELF FOR FRAME 35, DARK GREY	544,00
BL39722	 SHELF FOR FRAME 35, LIGHT GREY	544,00
BL39723	 SHELF FOR FRAME 35, FJORD	544,00
BL39724	 SHELF FOR FRAME 35, SAND	544,00
BL39725	 SHELF FOR FRAME 35, WHITE	544,00
BL40720	 SHELF FOR FRAME 35, OAK	664,00
BL40723	 SHELF FOR FRAME 35, BLACK STAINED ASH	664,00
BL40726	 SHELF FOR FRAME 35, SMOKED OAK	664,00

STOCK OPTIONS — PRICES IN SEK





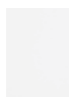
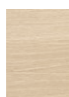

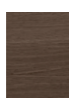
SKU	VARIANT	EXCL. VAT
<i>Shelf for Frame 42</i>		
BL39731	 SHELF FOR FRAME 42, DARK GREY	544,00
BL39732	 SHELF FOR FRAME 42, LIGHT GREY	544,00
BL39765	 SHELF FOR FRAME 42, FJORD	664,00
BL39766	 SHELF FOR FRAME 42, SAND	544,00
BL39735	 SHELF FOR FRAME 42, WHITE	544,00
BL40730	 SHELF FOR FRAME 42, OAK	664,00
BL40733	 SHELF FOR FRAME 42, BLACK STAINED ASH	664,00
BL40742	 SHELF FOR FRAME 42, SMOKED OAK	664,00

SHELF FOR FRAME
Designed by *Søren Lassen*

[BACK TO START](#)

CORE

STOCK OPTIONS — PRICES IN SEK

SKU	VARIANT	EXCL. VAT
<i>Shelf for Frame 49</i>		
BL39737	 SHELF FOR FRAME 49, DARK GREY	604,00
BL39738	 SHELF FOR FRAME 49, LIGHT GREY	604,00
BL39739	 SHELF FOR FRAME 49, FJORD	544,00
BL39740	 SHELF FOR FRAME 49, SAND	604,00
BL39741	 SHELF FOR FRAME 49, WHITE	604,00
BL40736	 SHELF FOR FRAME 49, OAK	724,00
BL40739	 SHELF FOR FRAME 49, BLACK STAINED ASH	724,00
BL40743	 SHELF FOR FRAME 49, SMOKED OAK	724,00



FRAME 49, WITH DOOR AND SHELF, material *oak*, designer *Audo*
KUBUS 4, material *gold plated*, designer *Audo*
SHELF FOR FRAME 49, material *oak*, designer *Audo*

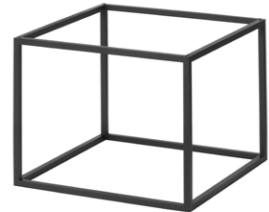
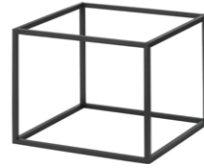
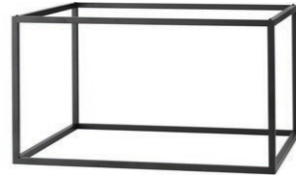


BASE FOR FRAME Designed by *Audo*

[BACK TO START](#)

CORE

The Base for Frame is a cubistic frame in black metal that is inspired by the Kubus candleholder by Mogens Lassen, based on strict mathematical formulas and designed with the greatest precision. The simple and cubistic base is available in two sizes: 35 (which also fits Frame 70) and 49 as an addition to the Frame modules from the Frame collection. With the simple base, you can create a dresser, a bookcase, a nightstand or something else entirely. The various Frame modules come in different sizes and colours. Depending on your exact storage needs, it is also possible to buy doors and shelves. The possible combinations are endless.

*For Frame 35 and 70*BLACK
BL40702*For Frame 49*BLACK
BL40700

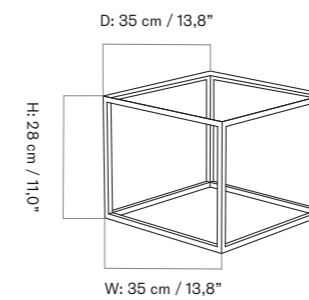
STOCK OPTIONS — PRICES IN SEK

SKU	VARIANT	EXCL. VAT
BL40702	BASE FOR FRAME 35 AND FRAME 70, BLACK	1.276,00
BL40700	BASE FOR FRAME 49, BLACK	1.836,00

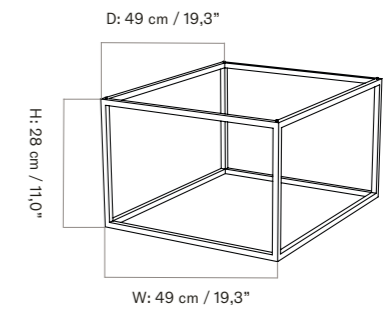
TECHNICAL SPECIFICATIONS

COLLI	WEIGHT	TEST	CERTIFICATIONS
1	35 and 70: 4,056 kg / 8,94 lb 49: 4,598 kg / 10,141 lb	N / A	N / A

BASE FOR FRAME 35 AND 70



BASE FOR FRAME 49





DOUBLE BASE FOR FRAME
Designed by *Audo*

[BACK TO START](#)

CORE

The double base for Frame 35 (which also fits Frame 70) and 49 in black metal comes in two heights 14 cm and 28 cm. The various Frame modules come in different sizes and colours. Depending on your exact storage needs, it is also possible to buy doors and shelves. The possible combinations are endless.



For Frame 35 and 70



BLACK, H: 14 CM
BL40710



BLACK, H: 28 CM
BL40706

For Frame 49



BLACK, H: 14 CM
BL40708



BLACK, H: 28 CM
BL40704

STOCK OPTIONS — PRICES IN SEK

SKU	VARIANT	EXCL. VAT
BL40710	DOUBLE BASE FOR FRAME 35 AND FRAME 70, HEIGHT 14 CM	2.396,00
BL40706	DOUBLE BASE FOR FRAME 35 AND FRAME 70, HEIGHT 28 CM	2.396,00
BL40708	DOUBLE BASE FOR FRAME 49, HEIGHT 14 CM	2.476,00
BL40704	DOUBLE BASE FOR FRAME 49, HEIGHT 28 CM	2.476,00

TECHNICAL SPECIFICATIONS

COLLI	WEIGHT	TEST	CERTIFICATIONS
1	35 and 70, H14: 8 kg / 17,64 lb 35 and 70, H28: 10 kg / 22,05 lb 49, H14: 10 kg / 22,05 lb 49, H28: 11,92 kg / 26,28 lb	N / A	N / A



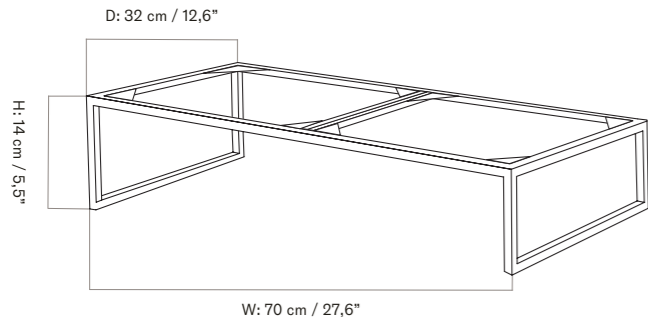
DOUBLE BASE FOR FRAME
Designed by *Audo*

BACK TO START

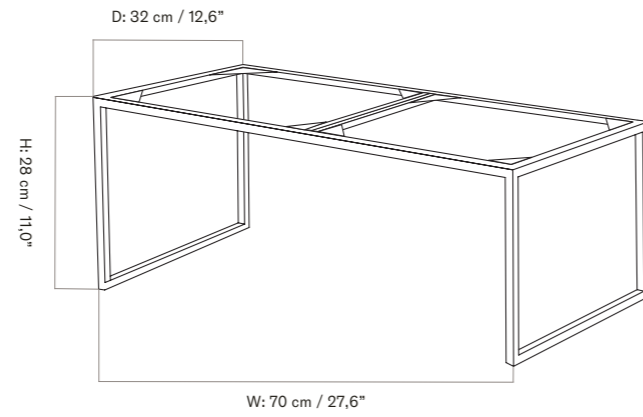
CORE

TECHNICAL DRAWING

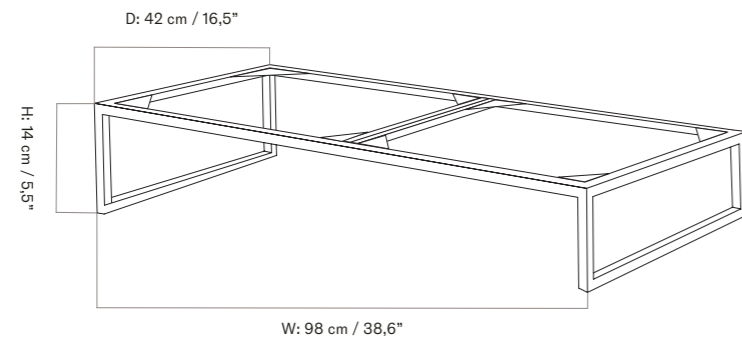
FOR FRAME 35 AND 70, H1V4



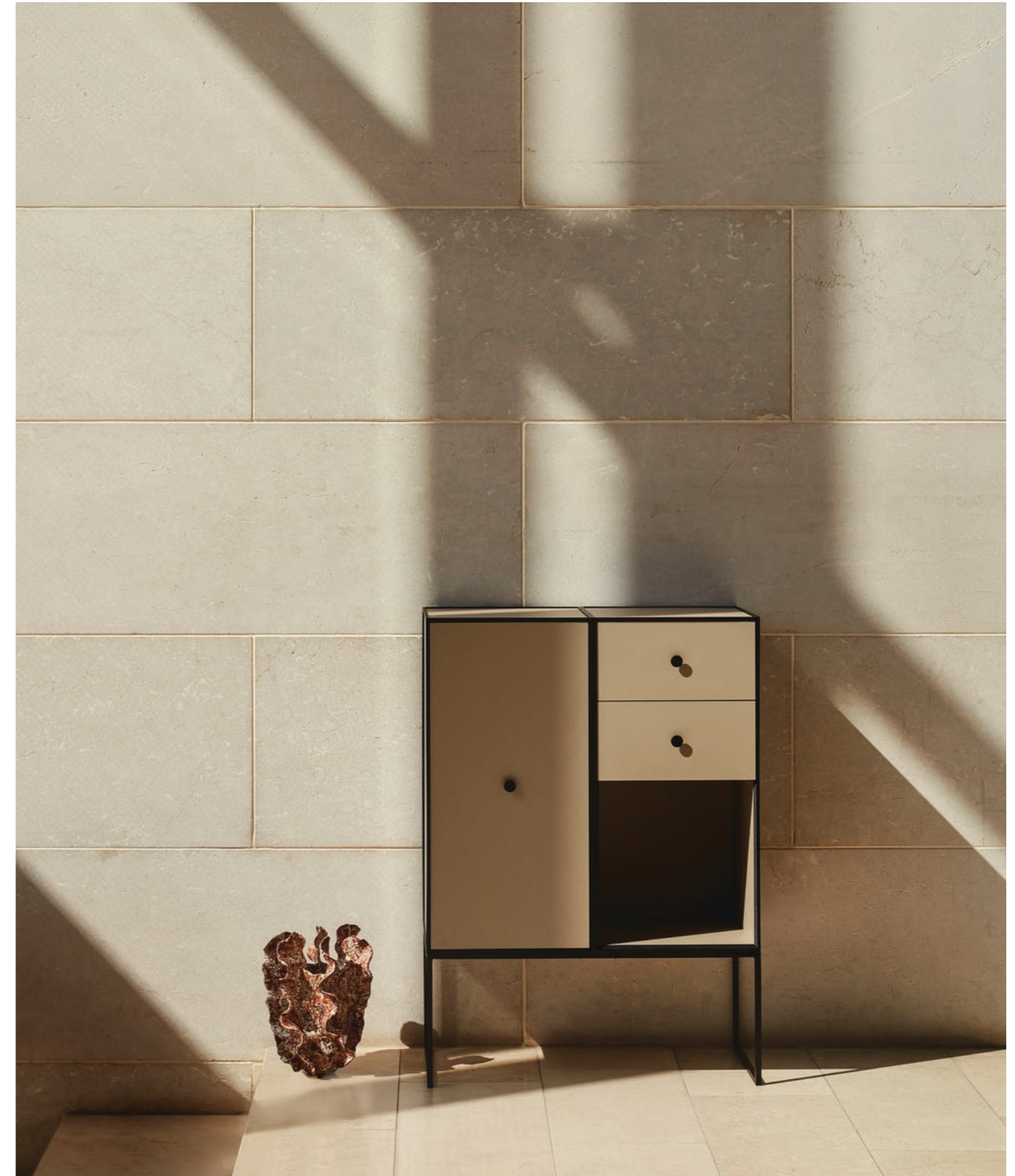
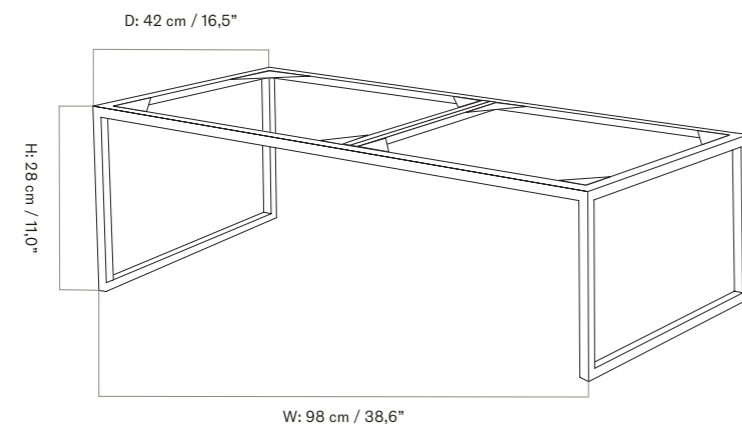
FOR FRAME 35 AND 70, H28



FOR FRAME 49, H14



FOR FRAME 49, H28



FRAME 70, material *sand*, designer *Audo*
DOOR FOR FRAME 70, material *sand*, designer *Audo*
FRAME 70 INCL. 2 DRAWERS, material *sand*, designer *Audo*
DOUBLE BASE FOR FRAME 35 AND FRAME 70, size 28 cm, designer *Audo*

SUSPENSION BRACKETS FOR FRAME
 Designed by *Mogens Lassen*

[BACK TO START](#)

CORE

The Suspension brackets in 3 different lengths is perfect if you should hang more than one Frame to ensure an easy and both vertical hang up.

Suspension brackets



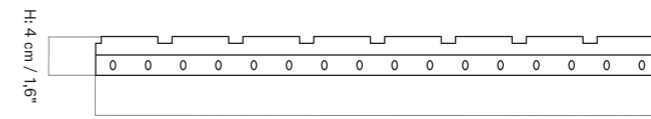
BLACK STEEL

STOCK OPTIONS — PRICES IN SEK

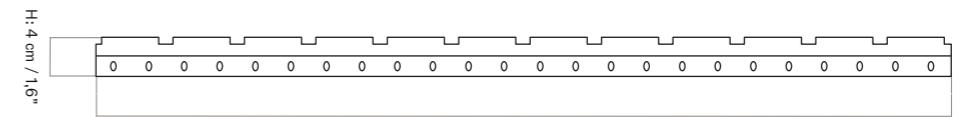
SKU	VARIANT	EXCL. VAT
BL40850	SUSPENSION BRACKET S8, BLACK	240,00
BL40851	SUSPENSION BRACKET S12, BLACK	240,00
BL40852	SUSPENSION BRACKET S14, BLACK	360,00

TECHNICAL SPECIFICATIONS

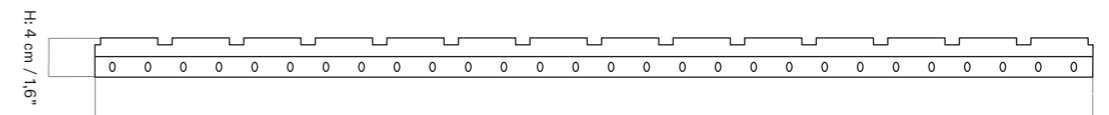
COLLI	WEIGHT	TEST	CERTIFICATIONS
1	S8: 0,35 kg / 0,77 lb S12: 0,55 kg / 1,21 lb S14: 0,575 kg / 1,27 lb	N / A	N / A



W: 56,16 cm / 22,1"



W: 84,24 cm / 33,2"



W: 98,28 cm / 38,7"

CORE

Frame 49 Trio is a flexible storage solution consisting of three Frame modules in cubistic frames. The simple storage system is inspired by the Kubus candleholder by Mogens Lassen, based on strict mathematical formulas and designed with the greatest precision. Frame 49 Trio consists of three Frame modules in size 49: a module with a shelf, a module with a door and a module with three Drawers. The Drawers feature a soft-close system and hidden tracks. Frame Sideboard Trio works beautifully as a dresser in the living room, tv table or as a classic bookcase.

PRODUCT OPTIONS

Material



DARK GREY

LIGHT GREY



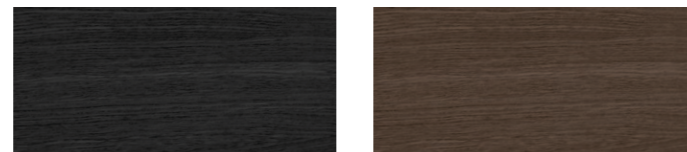
FJORD

SAND



WHITE

OAK



BLACK STAINED ASH

SMOKED OAK

Frame



BLACK ALUMINIUM

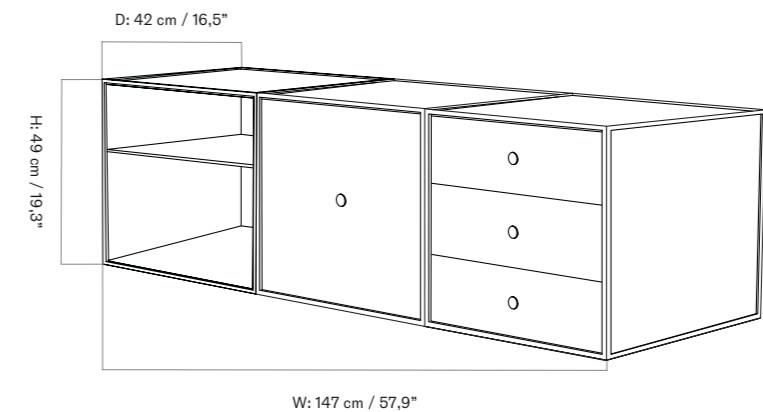


STOCK OPTIONS — PRICES IN SEK

SKU	VARIANT	EXCL. VAT
BL39482	FRAME 49 TRIO, DARK GREY	14.388,00
BL39483	FRAME 49 TRIO, LIGHT GREY	14.388,00
BL39488	FRAME 49 TRIO, FJORD	14.388,00
BL39489	FRAME 49 TRIO, SAND	14.388,00
BL39485	FRAME 49 TRIO, WHITE	14.388,00
BL39471	FRAME 49 TRIO, OAK	21.816,00
BL39481	FRAME 49 TRIO, BLACK STAINED ASH	16.628,00
BL39486	FRAME 49 TRIO, SMOKED OAK	16.308,00

TECHNICAL SPECIFICATIONS

COLLI	WEIGHT	TEST	CERTIFICATIONS
1	9,957 kg / 21,95 lb	N / A	N / A





FRAME 49 TRIO SIDEBOARD

Designed by *Audo*

[BACK TO START](#)

CORE

Frame 49 Sideboard Trio is a flexible storage solution consisting of a square module in a cubistic frame and with a cubistic black metal base. The simple storage system is inspired by the Kubus candleholder by Mogens Lassen, based on strict mathematical formulas and designed with the greatest precision. Frame Sideboard Trio consists of three Frame modules in size 49 with a cubistic base: a module with a shelf, a module with a door and a module with three Drawers. The Drawers feature a soft-close system and hidden tracks. Frame Sideboard Trio works beautifully as a dresser in the living room or as a classic bookcase. The Frame module can also be separated from the cubistic Base for Frame and instead hung on the wall if your home needs a new touch, or to cater for changing storage needs.

PRODUCT OPTIONS

Material



Frame



Base

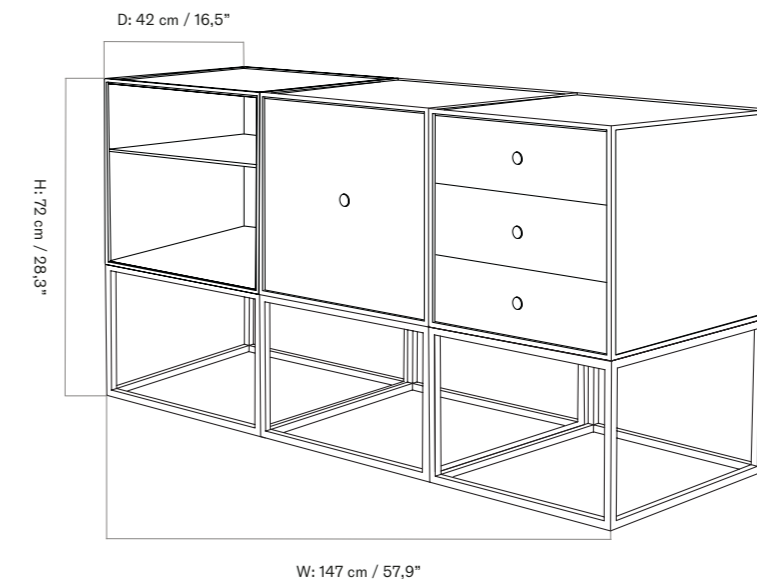


STOCK OPTIONS — PRICES IN SEK

SKU	VARIANT	EXCL. VAT
BL39472	FRAME 49 TRIO SIDEBOARD, DARK GREY	19.896,00
BL39473	FRAME 49 TRIO SIDEBOARD, LIGHT GREY	19.896,00
BL39478	FRAME 49 TRIO SIDEBOARD, FJORD	19.896,00
BL39479	FRAME 49 TRIO SIDEBOARD, SAND	19.896,00
BL39475	FRAME 49 TRIO SIDEBOARD, WHITE	19.896,00
BL39471	FRAME 49 TRIO SIDEBOARD, OAK	21.816,00
BL39474	FRAME 49 TRIO SIDEBOARD, BLACK STAINED ASH	22.136,00
BL39476	FRAME 49 TRIO SIDEBOARD, SMOKED OAK	21.816,00

TECHNICAL SPECIFICATIONS

COLLI	WEIGHT	TEST	CERTIFICATIONS
1	68,836 kg / 151,76 lb	N / A	N / A





FRAME SHOE CABINET

Designed by *Mogens Lassen*

[BACK TO START](#)

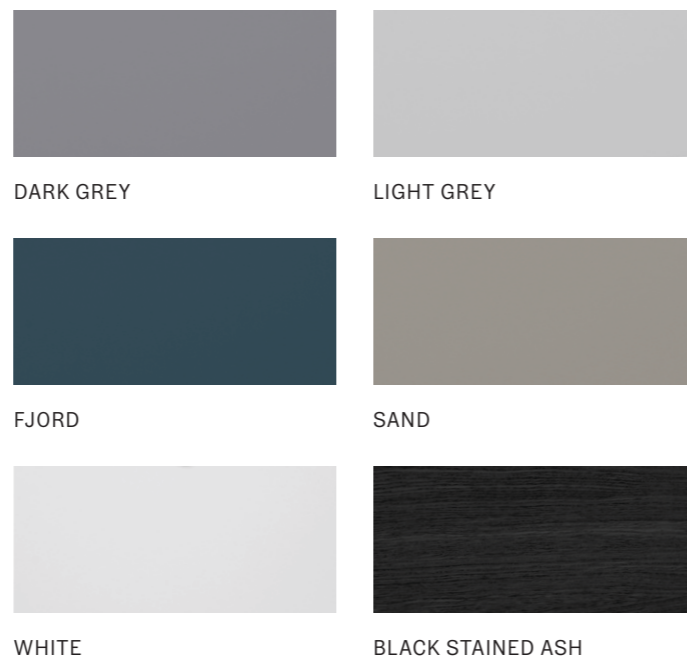
CORE

Frame Shoe Cabinet is a new addition to existing Frame modules, adding a new function that makes it an excellent choice for the hallway. With its characteristic frame, Frame Shoe Cabinet is based on the same design as the existing Frame modules, but with new dimensions that makes it even more useful for storing your shoes. The inside is made in metal to ensure that dirt and wet shoes do not damage the cabinet. Placed on the wall, Frame Shoe Cabinet takes up no floor space, which makes it an ideal storage solution for small hallways. Frame Shoe Cabinet is inspired by the Kubus candleholder by Mogens Lassen, based on strict mathematical formulas and designed with the greatest precision. The Frame collection is manufactured and assembled by hand in Denmark. It is a collection that truly unites functionality, quality and aesthetics.



PRODUCT OPTIONS

Material



Frame

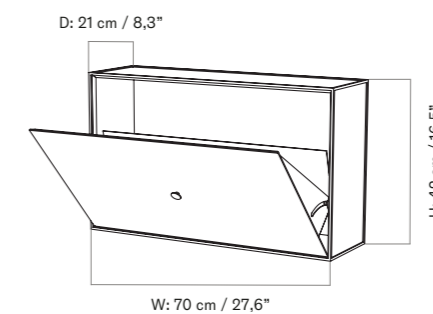


STOCK OPTIONS — PRICES IN SEK

SKU	VARIANT	EXCL. VAT
BL39901	FRAME SHOE CABINET, DARK GREY	5.996,00
BL39902	FRAME SHOE CABINET, LIGHT GREY	5.996,00
BL39903	FRAME SHOE CABINET, FJORD	5.996,00
BL39904	FRAME SHOE CABINET, SAND	5.996,00
BL39905	FRAME SHOE CABINET, WHITE	5.996,00
BL40903	FRAME SHOE CABINET, BLACK STAINED ASH	6.876,00

TECHNICAL SPECIFICATIONS

COLLI	WEIGHT	TEST	CERTIFICATIONS
1	17,728 kg / 39,08 lb	N / A	N / A





FRAME VIEW

Designed by *Audo*

[BACK TO START](#)

CORE

Frame View is a flexible storage solution consisting of a square module in a cubistic frame. The simple storage system is inspired by the Kubus candleholder by Mogens Lassen, based on strict mathematical formulas and designed with the greatest precision. Frame View can be used in countless contexts. Combine the Frame modules to create a classic bookcase, a room divider or something else entirely. The possible combinations are endless. Frame View consists of three Frame 42 modules with doors.

PRODUCT OPTIONS

Material



DARK GREY

LIGHT GREY



FJORD

SAND



WHITE

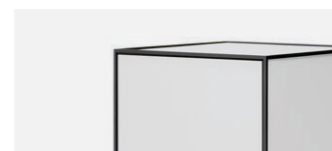
OAK



BLACK STAINED ASH

SMOKED OAK

Frame



BLACK ALUMINIUM

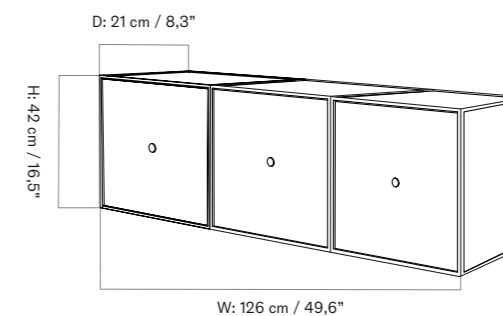


STOCK OPTIONS

SKU	VARIANT	EXCL. VAT
BL39462	FRAME VIEW, DARK GREY	8.868,00
BL39463	FRAME VIEW, LIGHT GREY	8.868,00
BL39468	FRAME VIEW, FJORD	8.868,00
BL39469	FRAME VIEW, SAND	8.868,00
BL39465	FRAME VIEW, WHITE	8.868,00
BL39461	FRAME VIEW, OAK	10.788,00
BL39464	FRAME VIEW, BLACK STAINED ASH	10.788,00
BL39466	FRAME VIEW, SMOKED OAK	10.788,00

TECHNICAL SPECIFICATIONS

COLLI	WEIGHT	TEST	CERTIFICATIONS
1	21,662 kg / 47,76 lb	N / A	N / A





FRAME SQUARE STANDARD

Designed by *Audo*

[BACK TO START](#)

CORE

Frame Square Standard is a flexible storage solution consisting of a square module in a cubistic frame. The simple storage system is inspired by the Kubus candleholder by Mogens Lassen, based on strict mathematical formulas and designed with the greatest precision. The Frame collection is available in many variants for use in countless contexts. Combine the Frame modules to create a classic bookcase, a room divider or something else entirely. The possible combinations are endless. The Frame modules are available with or without doors, shelves and Drawers, making sure that you can design the perfect storage solution to match your needs for organisation and storage. This variant consists of four Frame 35 modules, including two open modules and two modules with doors.



PRODUCT OPTIONS

Material



Frame



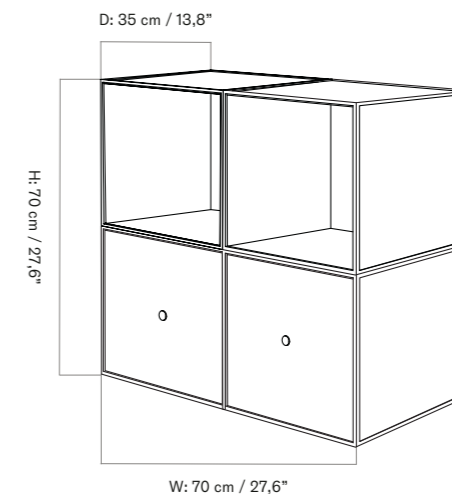
BLACK ALUMINIUM

STOCK OPTIONS

SKU	VARIANT	EXCL. VAT
BL39452	FRAME SQUARE STANDARD, DARK GREY	10.224,00
BL39453	FRAME SQUARE STANDARD, LIGHT GREY	10.224,00
BL39458	FRAME SQUARE STANDARD, FJORD	10.224,00
BL39459	FRAME SQUARE STANDARD, SAND	10.224,00
BL39455	FRAME SQUARE STANDARD, WHITE	10.224,00
BL39451	FRAME SQUARE STANDARD, OAK	12.624,00
BL39454	FRAME SQUARE STANDARD, BLACK STAINED ASH	12.624,00
BL39456	FRAME SQUARE STANDARD, SMOKED OAK	12.624,00

TECHNICAL SPECIFICATIONS



COLLI	WEIGHT	TEST	CERTIFICATIONS
1	21,664 kg / 47,76 lb	N / A	N / A



Lighting

 Levitate Pendant, 28 →  Cast Pendant →

 Levitate Pendant, 40 →  Dancing Pendant →

 Umanoff Pendant →  Resonant Pendant →


 Hashira Pendant →  Collector Chandelier 3 →

 Hashira Pendant, Cluster →  Collector Chandelier 5 →

 JWDA Pendant →

 TR Bulb Pendant →

 TR Bulb Suspension Frame →

 Bank Pendant →



LEVITATE PENDANT, 28
Designed by *Afteroom*

[BACK TO START](#)

CORE

As its name suggests, the Levitate Pendant floats effortlessly on air. The generous aluminium shade with an elegant glass diffuser, classic in its expression, is available in two sizes and three colours and reflects warm, ambient light to perfectly illuminate a space. The accompanying brass knob makes for a perfect decoration.



SAGE GREEN / BRASS
1370469



BLACK / BRASS
1370539

STOCK OPTIONS — PRICES IN SEK

SKU	VARIANT	EXCL. VAT
1370469	LEVITATE PENDANT, 28, SAGE GREEN / BRASS	2.956,00
1370539	LEVITATE PENDANT, 28, BLACK / BRASS	2.956,00

TECHNICAL SPECIFICATIONS

COLLI

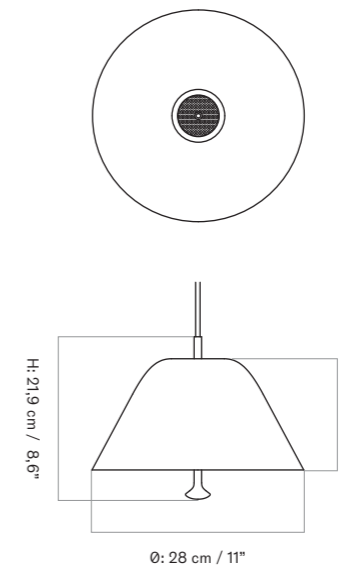
1

WEIGHT

1,2 kg / 2,65 lb

CERTIFICATIONS

CE and ETL certified, tests can be obtained upon request.





LEVITATE PENDANT, 40
Designed by *Afteroom*

[BACK TO START](#)

CORE

As its name suggests, the Levitate Pendant floats effortlessly on air. The generous aluminium shade with an elegant glass diffuser, classic in its expression, is available in two sizes and three colours and reflects warm, ambient light to perfectly illuminate a space. The accompanying brass knob makes for a perfect decoration.



SAGE GREEN / BRASS
1371469



BLACK / BRASS
1371539

STOCK OPTIONS — PRICES IN SEK

SKU	VARIANT	EXCL. VAT
1371469	LEVITATE PENDANT, 40, SAGE GREEN / BRASS	4.396,00
1371539	LEVITATE PENDANT, 40, BLACK / BRASS	4.396,00

TECHNICAL SPECIFICATIONS

COLLI

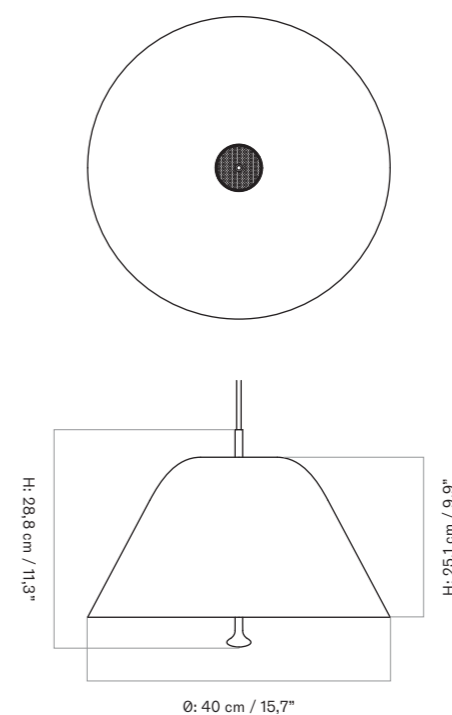
1

WEIGHT

1,9 kg / 4,19 lb

CERTIFICATIONS

CE and ETL certified, tests can be obtained upon request.





CORE

Designed by Arthur Umanoff, this eponymous pendant light shines a light on the contrasts created when perfectly symmetrical, geometric brass and walnut wood components meet. The suspended design emits downward light to illuminate surfaces with its soft and cosy glow.



BRASS / WALNUT
1570839

UMANOFF PENDANT

Designed by *Arthur Umanoff*

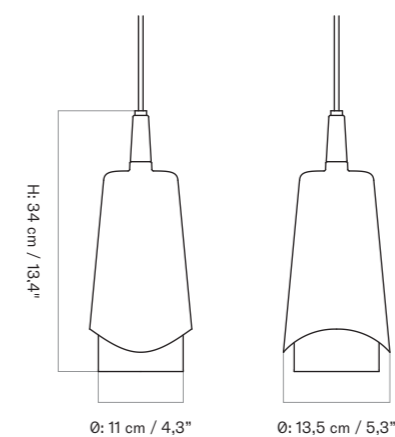
[BACK TO START](#)

STOCK OPTIONS — PRICES IN SEK

SKU	VARIANT	EXCL. VAT
1570839	UMANOFF PENDANT, BRASS / WALNUT	3.356,00

TECHNICAL SPECIFICATIONS

COLLI	WEIGHT	CERTIFICATIONS
2	0,76 kg / 1,68 lb	CE and ETL certified, tests can be obtained upon request.





HASHIRA PENDANT
Designed by *Norm Architects*

[BACK TO START](#)

CORE

Translucent, cylindrical fabric shade with metal frame, textile cord and dimmer switch.

Ø18



RAW
1502699

Ø30



WHITE
1503059



RAW
1503699

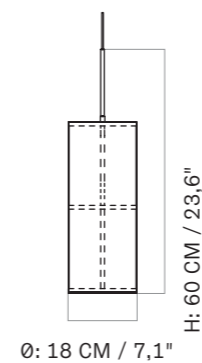
STOCK OPTIONS — PRICES IN SEK

SKU	VARIANT	EXCL. VAT
1502699	HASHIRA PENDANT, Ø18, RAW	2.956,00
1503059	HASHIRA PENDANT, Ø30, WHITE	5.996,00
1503699	HASHIRA PENDANT, Ø30, RAW	6.316,00

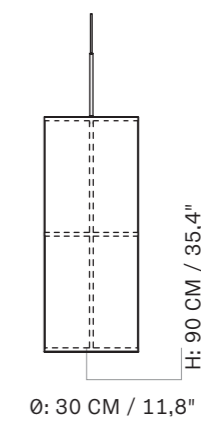
TECHNICAL SPECIFICATIONS

COLLI	WEIGHT	CERTIFICATIONS
2	Ø18: 1,15 kg / 2,54 lb Ø30: 2,00 kg / 4,41 lb	CE and ETL certified, tests can be obtained upon request.

Ø18



Ø30





CORE

HASHIRA PENDANT, CLUSTER Designed by *Norm Architects*

[BACK TO START](#)

Translucent, cylindrical fabric shade with metal frame, textile cord and dimmer switch.

Cluster, Ø32



RAW
1504699

Cluster, Ø60



WHITE
1505059



RAW
1505699

STOCK OPTIONS — PRICES IN SEK

SKU	VARIANT	EXCL. VAT
1504699	HASHIRA PENDANT, CLUSTER, Ø32, RAW	6.316,00
1505059	HASHIRA PENDANT, CLUSTER, Ø60, WHITE	16.396,00
1505699	HASHIRA PENDANT, CLUSTER, Ø60, RAW	17.196,00

TECHNICAL SPECIFICATIONS

COLLI

1

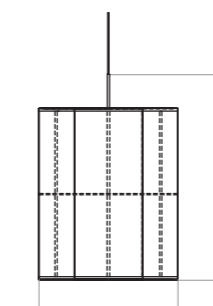
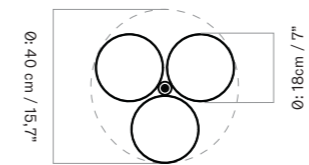
WEIGHT

Ø32: 3,13 kg / 6,90 lb
Ø60: 5,85 kg / 12,90 lb

CERTIFICATIONS

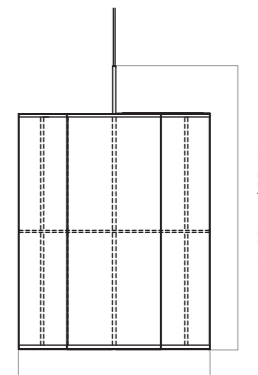
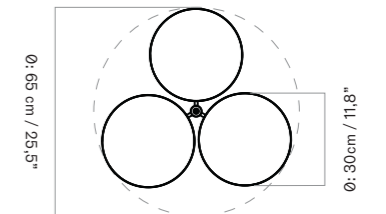
CE and ETL certified, tests can be obtained upon request.

CLUSTER, Ø32



W: 37 cm / 14,5"

CLUSTER, Ø60



W: 61,5 cm / 24,2"



JWDA PENDANT

Designed by *Jonas Wagell*

[BACK TO START](#)

CORE

Polished brass pendant with dimmer switch and shiny opal glass shade.



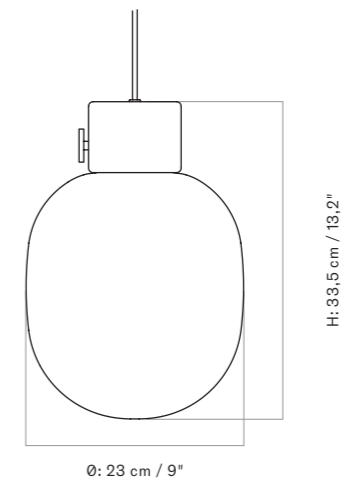
POLISHED BRASS
1820839

STOCK OPTIONS — PRICES IN SEK

SKU	VARIANT	EXCL. VAT
1820839	JWDA PENDANT LAMP, POLISHED BRASS	2.716,00

TECHNICAL SPECIFICATIONS

COLLI	WEIGHT	CERTIFICATIONS
2	1,7 kg / 3,7 lb	CE and ETL certified, tests can be obtained upon request.





CORE

Black powder coated steel or brushed brass pendant with textile cord.

TR BULB PENDANT

Designed by *Tim Eundle*

[BACK TO START](#)



BLACK, MATTE OPAL BULB
1493639



BRUSHED BRASS, MATTE OPAL BULB
1493939

STOCK OPTIONS — PRICES IN SEK

SKU	VARIANT	EXCL. VAT
1493639	TR BULB, PENDANT, BLACK W / MATTE OPAL BULB	2.028,00
1493939	TR BULB, PENDANT, BRUSHED BRASS W / MATTE OPAL BULB	2.312,00

TECHNICAL SPECIFICATIONS

COLLI

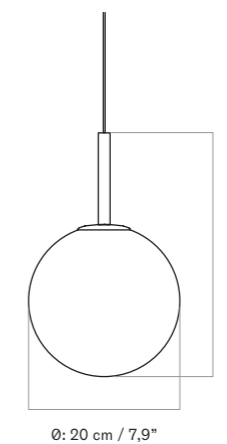
1

WEIGHT

1,1 kg / 2,4 lb

CERTIFICATIONS

CE and ETL certified, tests can be obtained upon request.





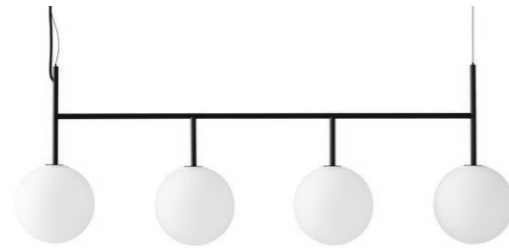
TR BULB SUSPENSION FRAME

Designed by *Tim Eundle*

[BACK TO START](#)

CORE

Suspension lamp in black powder coated steel.
Opal glass bulb with a shiny or matte finish.



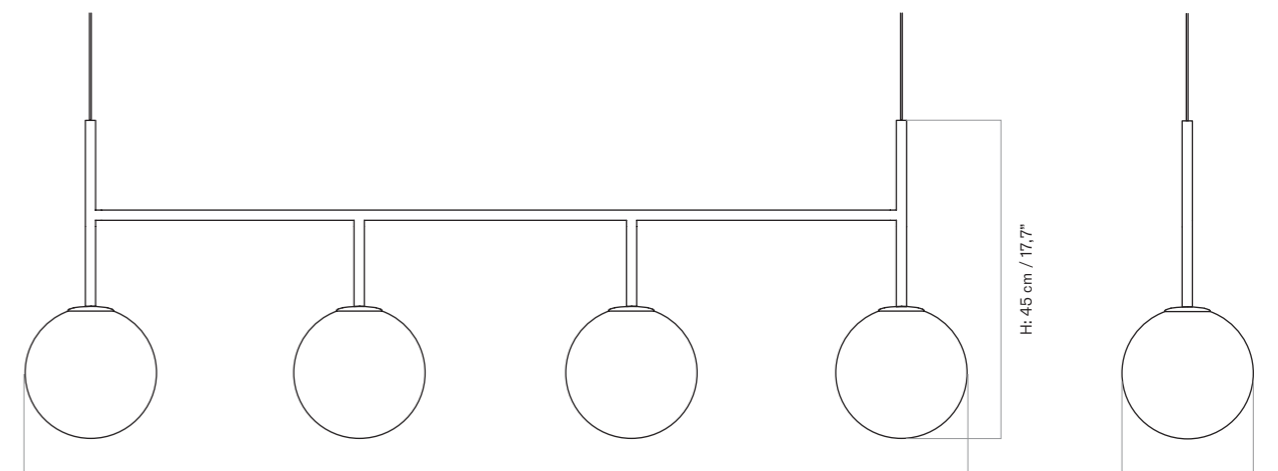
BLACK, MATTE OPAL BULB
1495639

STOCK OPTIONS — PRICES IN SEK

SKU	VARIANT	EXCL. VAT
1495639	TR BULB, SUSPENSION FRAME, BLACK W / MATTE OPAL BULB	7.100,00

TECHNICAL SPECIFICATIONS

COLLI	WEIGHT	CERTIFICATIONS
1	4,4 kg / 9,7 lb	CE and ETL certified, tests can be obtained upon request.



W: 125 cm / 49,2"

H: 45 cm / 17,7"

Ø: 20 cm / 7,9"



BANK PENDANT

Designed by *Norm Architects*

[BACK TO START](#)

CORE

Mouth-blown opal or smoke glass pendant with black anodised aluminium fittings.



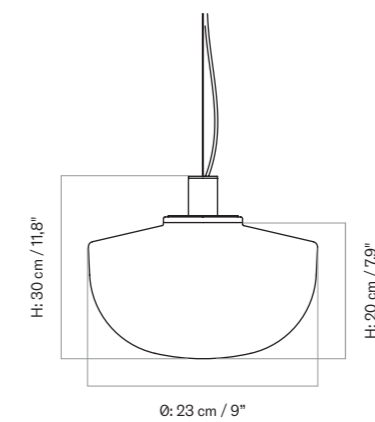
OPAL
1860629

STOCK OPTIONS — PRICES IN SEK

SKU	VARIANT	EXCL. VAT
1860629	BANK PENDANT, OPAL GLASS	4.156,00

TECHNICAL SPECIFICATIONS

COLLI	WEIGHT	CERTIFICATIONS
2	4,9 – 5,5 kg / 10,8 - 12,1 lb Weight may vary due to mouth-blown glass.	CE and ETL certified, tests can be obtained upon request.





CAST PENDANT
Designed by *Tom Chung & Jordan Murphy*

[BACK TO START](#)

CORE

Black painted aluminium pendant with flexible PVC cord.



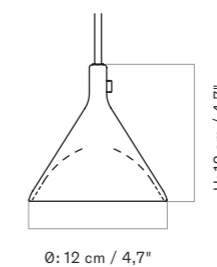
BLACK
1211539

STOCK OPTIONS — PRICES IN SEK

SKU	VARIANT	EXCL. VAT
1211539	CAST PENDANT, BLACK	1.356,00

TECHNICAL SPECIFICATIONS

COLLI	WEIGHT	CERTIFICATIONS
4	0,7 kg / 1,5 lb	CE and ETL certified, tests can be obtained upon request.





DANCING PENDANT
Designed by *Iskos-Berlin*

[BACK TO START](#)

CORE

Large pleated pendant with a recycled polyester felt shade and textile cord.



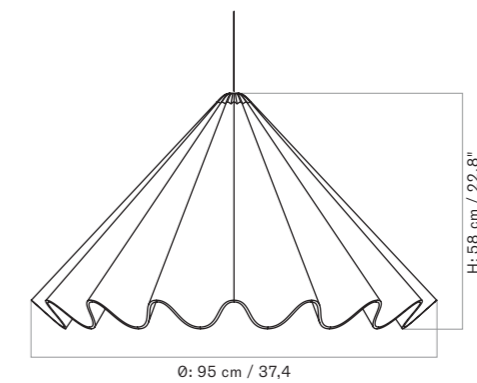
OFF WHITE
1600659

STOCK OPTIONS — PRICES IN SEK

SKU	VARIANT	EXCL. VAT
1600659	DANCING PENDANT, OFF WHITE	8.028,00

TECHNICAL SPECIFICATIONS

COLLI	WEIGHT	CERTIFICATIONS
1	2,6 kg / 5,7 lb	CE certified, tests can be obtained upon request.





CORE

Resonant is a mid-century brass pendant lamp designed in the 1950s by Alf Svensson and Yngvar Sandström. A simple yet striking statement piece and an icon of Nordic lighting design, its curved, polished brass shade emits glare-free light downwards to create ambience in any setting.



BRASS
1390829

RESONANT PENDANT

Designed by *Alf Svensson* and *Yngvar Sandström*

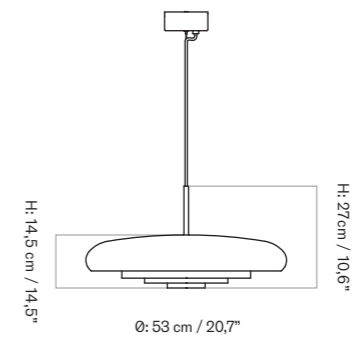
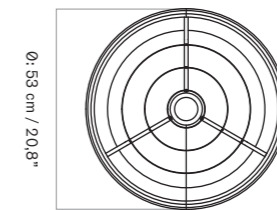
[BACK TO START](#)

STOCK OPTIONS — PRICES IN SEK

SKU	VARIANT	EXCL. VAT
1390829	RESONANT PENDANT, BRASS	20.796,00

TECHNICAL SPECIFICATIONS

COLLI	WEIGHT	CERTIFICATIONS
1	3,3 kg / 6,6 lb	CE certified, tests can be obtained upon request.





CORE

The Collector, Chandelier 3 is part of a collection of lights designed in the 1950s by Alf Svensson. Set on a solid brass pipe ring, six perforated metal shades emit light both upwards and downwards to illuminate spaces with its timeless aesthetic.



CRÈME
1394649

COLLECTOR CHANDELIER 3 Designed by *Alf Svensson*

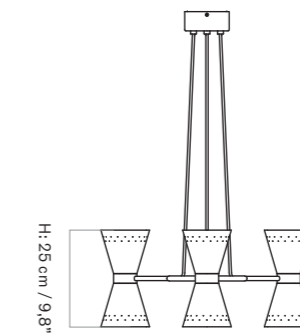
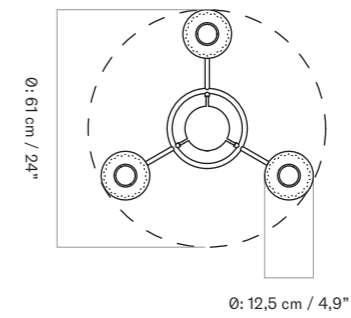
[BACK TO START](#)

STOCK OPTIONS — PRICES IN SEK

SKU	VARIANT	EXCL. VAT
1394649	COLLECTOR CHANDELIER 3, CRÈME	13.116,00

TECHNICAL SPECIFICATIONS

COLLI	WEIGHT	CERTIFICATIONS
1	2,2 kg / 4,8 lb	CE certified, tests can be obtained upon request.





CORE

Part of a collection of lights designed in the 1950s by Alf Svensson, the Collector, Chandelier 5 is striking in its mid-century aesthetic. A polished brass ring holds ten perforated metal shades to project the light both upwards and downwards.



CRÈME
1393649

COLLECTOR CHANDELIER 5 Designed by *Alf Svensson*

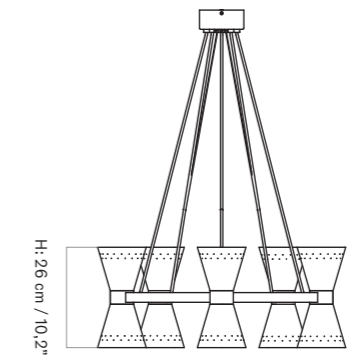
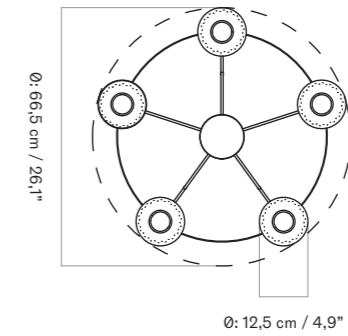
[BACK TO START](#)

STOCK OPTIONS — PRICES IN SEK

SKU	VARIANT	EXCL. VAT
1393649	COLLECTOR CHANDELIER 5, CRÈME	19.756,00


TECHNICAL SPECIFICATIONS

COLLI	WEIGHT	CERTIFICATIONS
1	3,5 kg / 7,7 lb	CE certified, tests can be obtained upon request.



 Torso Table Lamp, 37 →

 Torso Table Lamp, 57 →

 Reverse Table Lamp →

 Hashira Table Lamp →

 JWDA Table Lamp →

 JWDA Table Lamp, Marble →

 Peek Table Lamp →

 Wing Table Lamp →

 Klampenborg Table Lamp →



TORSO TABLE LAMP, 37
Designed by *Krøyer-Sætter-Lassen*

[BACK TO START](#)

CORE

The contrasts between unglazed, raw ceramics and airy linen come into play on the Torso Table Lamp, designed by Krøyer-Sætter-Lassen for Audo. Gently rounded for a soft expression, the understated sculptural base has a timeless feel that will feel instantly at home in any setting. The tactile shade diffuses the light to create instant ambience, and the brass touch dimmer allows for a personal setting.



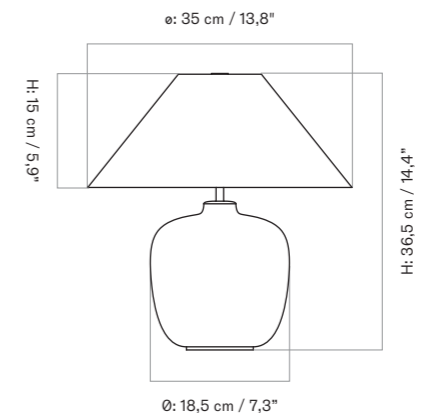
SAND / OFF WHITE
1283659

STOCK OPTIONS — PRICES IN SEK

SKU	VARIANT	EXCL. VAT
1283659	TORSO TABLE LAMP, 37, SAND / OFF WHITE	3.196,00

TECHNICAL SPECIFICATIONS

COLLI	WEIGHT	CERTIFICATIONS
1	Lampshade: 0,2 kg / 0,44 lb Base: 1,44 kg / 3,17 lb	CE and ETL certified, tests can be obtained upon request.





CORE

TORSO TABLE LAMP, 57

Designed by *Krøyer-Sætter-Lassen*

[BACK TO START](#)

The contrasts between unglazed deep black glazed ceramics and airy linen come into play on the Torso Table Lamp, designed by Krøyer-Sætter-Lassen for Audo. Gently rounded for a soft expression, the understated sculptural base has a timeless feel that will feel instantly at home in any setting. The tactile shade diffuses the light to create instant ambience, and the brass touch dimmer allows for a personal setting.



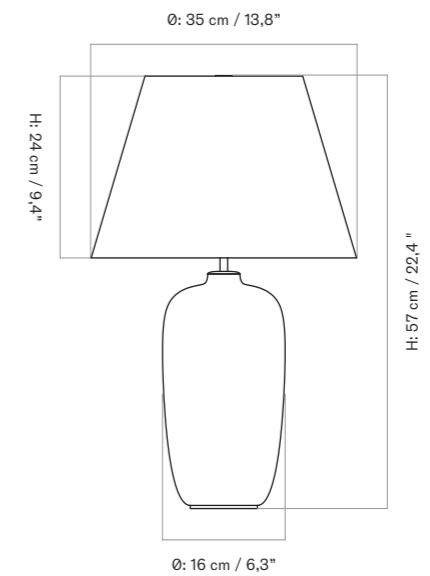
BLACK / OFF WHITE
1284539

STOCK OPTIONS — PRICES IN SEK

SKU	VARIANT	EXCL. VAT
1284539	TORSO TABLE LAMP, 57, BLACK / OFF WHITE	3.356,00

TECHNICAL SPECIFICATIONS

COLLI	WEIGHT	CERTIFICATIONS
1	Lampshade: 0,3 kg / 0,66 lb Base: 3,4 kg / 7,5 lb	CE and ETL certified, tests can be obtained upon request.





REVERSE TABLE LAMP

Designed by *Aleksandar Lazic*

CORE

Table lamp with conical travertine base and bronzed anodised aluminium shade. A dimmer switch fitted on top of the lamp controls the dim to warm LED light.

The Reverse Table Lamp is sold included five interchangeable plugs suitable for North America, Australia, China, Europe and the UK.



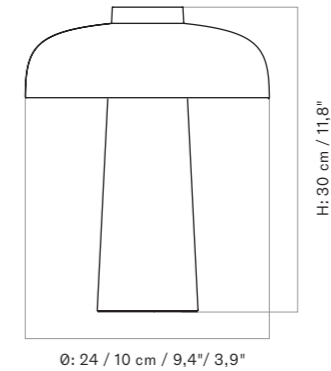
REVERSE TABLE LAMP, BRONZED BRASS
1410619Y

STOCK OPTIONS — PRICES IN SEK

SKU	VARIANT	EXCL. VAT
1410619Y	REVERSE TABLE LAMP, TRAVERTINE, BRONZED BRASS	5.116,00

TECHNICAL SPECIFICATIONS

COLLI	WEIGHT	CERTIFICATIONS
2	3,64 kg / 5,7 lb	CE and ETL certified, tests can be obtained upon request.





HASHIRA TABLE LAMP
Designed by *Norm Architects*

[BACK TO START](#)

CORE

Translucent, cylindrical fabric shade with metal frame, textile cord and dimmer switch.



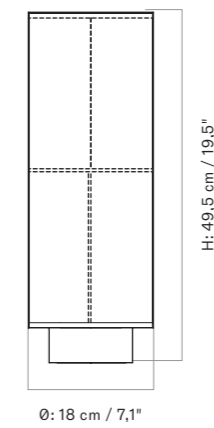
RAW
1500699

STOCK OPTIONS — PRICES IN SEK

SKU	VARIANT	EXCL. VAT
1500699	HASHIRA TABLE LAMP, Ø18, RAW	3.356,00

TECHNICAL SPECIFICATIONS

COLLI	WEIGHT	CERTIFICATIONS
2	1,48 kg / 3,26 lb	CE and ETL certified, tests can be obtained upon request.





CORE

JWDA TABLE LAMP

Designed by *Jonas Wagell*

[BACK TO START](#)

Originally inspired by more archaic oil lamps of the past, the JWDA's form has been simplified into an organic shape that beautifully blends contrasting elements, whereby the raw and delicate harmoniously meet in one. Casting a muted, soft glow, JWDA comes supplied with a G9 frosted bulb, which can be easily adjusted by hand. Its simple silhouette and timeless quality will add a touch of sophistication to the interior, but its functionality and ease of use will ensure that JWDA will become an important part of people's daily lives and do more than just look good.



BRONZED BRASS
1800859



POLISHED BRASS
1800839



BLACK STEEL
1810539



CONCRETE
1800129



ALABASTER WHITE, STEEL
1800360



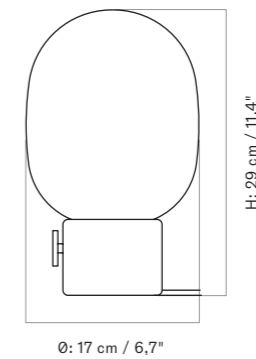
AMMONITE GREY, STEEL
1800089

STOCK OPTIONS — PRICES IN SEK

SKU	VARIANT	EXCL. VAT
1800859	JWDA TABLE LAMP, METALLIC, BRONZED BRASS	1.836,00
1800839	JWDA TABLE LAMP, METALLIC, MIRROR POLISHED BRASS	1.836,00
1810539	JWDA TABLE LAMP, METALLIC, BLACK STEEL	1.836,00
1800129	JWDA TABLE LAMP, CONCRETE, LIGHT GREY / BRASS	1.836,00
1800360	JWDA TABLE LAMP, ALABASTER WHITE, STEEL	1.836,00
1800089	WDA TABLE LAMP, AMMONITE GREY, STEEL	1.836,00

TECHNICAL SPECIFICATIONS

COLLI	WEIGHT	CERTIFICATIONS
2	1,35 kg / 3,0 lb	CE and ETL certified, tests can be obtained upon request.





CORE

JWDA TABLE LAMP, MARBLE

Designed by *Jonas Wagell*

[BACK TO START](#)

Originally inspired by more archaic oil lamps of the past, the JWDA's form has been simplified into an organic shape that beautifully blends contrasting elements, whereby the raw and delicate harmoniously meet in one. Casting a muted, soft glow, JWDA comes supplied with a G9 frosted bulb, which can be easily adjusted by hand. Its simple silhouette and timeless quality will add a touch of sophistication to the interior, but its functionality and ease of use will ensure that JWDA will become an important part of people's daily lives and do more than just look good.



CARRARA MARBLE
1830639



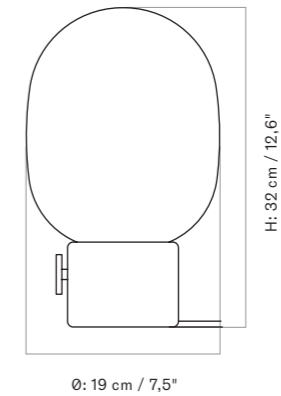
CALACATTA VIOLA MARBLE
1830319

STOCK OPTIONS — PRICES IN SEK

SKU	VARIANT	EXCL. VAT
1830639	JWDA TABLE LAMP, CARRARA MARBLE	2.716,00
1830319	JWDA TABLE LAMP, CALACATTA VIOLA MARBLE	3.276,00

TECHNICAL SPECIFICATIONS

COLLI	WEIGHT	CERTIFICATIONS
2	2,1 kg / 5,0 lb	CE and ETL certified, tests can be obtained upon request.





CORE

Powder coated steel and aluminium lamp with angled shade and textile cord. Directional base and shade for angled lighting.

PEEK LAMP

Designed by *Jonas Wagell*

[BACK TO START](#)

STOCK OPTIONS — PRICES IN SEK

SKU	VARIANT	EXCL. VAT
1300539	PEEK TABLE LAMP, BLACK	3.036,00
1300639	PEEK TABLE LAMP, WHITE	3.036,00



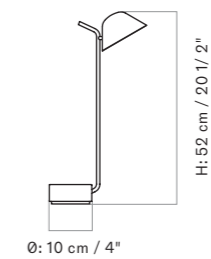
BLACK
1300539



WHITE
1300639

TECHNICAL SPECIFICATIONS

COLLI	WEIGHT	CERTIFICATIONS
2	2 kg / 4,4 lb	CE and ETL certified, tests can be obtained upon request.





CORE

WING TABLE LAMP

Designed by *Kenneth Bergenblad*

[BACK TO START](#)

Designed in the 1980s by award-winning Swedish designer Kenneth Bergenblad, the Wing Table Lamp in polished aluminium takes its name from its horizontal shade that projects from both sides and rotates 360° to direct light where it is needed. A statement-making piece in any setting, its minimal silhouette complements every interior style.



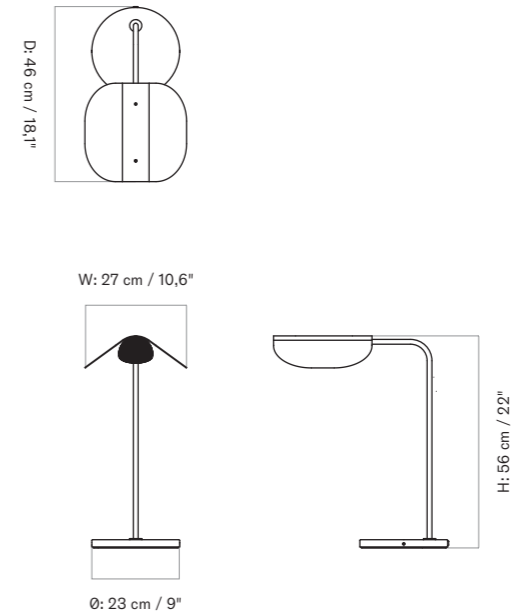
ALUMINUM
1391109

STOCK OPTIONS — PRICES IN SEK

SKU	VARIANT	EXCL. VAT
1391109	WING TABLE LAMP	7.676,00

TECHNICAL SPECIFICATIONS

COLLI	WEIGHT	CERTIFICATIONS
1	5,4 kg / 11,9 lb	CE and ETL certified, tests can be obtained upon request.





KLAMPENBORG TABLE LAMP
Designed by *Mogens Lassen*

[BACK TO START](#)

CORE

A small and unassuming sketch with a timeless design that speaks to any age and period – such a creature is the new Klampenborg Table Lamp. The lamp has not previously been in production but remained simply a line on a yellowed sheet of paper in the Lassen brothers' archive at the Danish National Art Library in Copenhagen.



BLACK POWDER COATING
BL65100



PLATED BRUSHED BRASS
BL65101



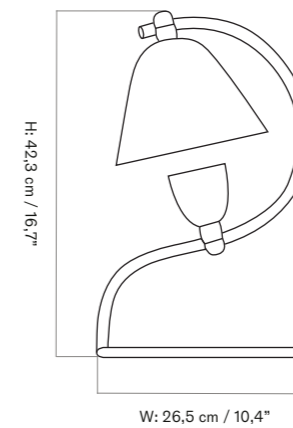
POLISHED PLATED STEEL
BL65102

STOCK OPTIONS — PRICES IN SEK

SKU	VARIANT	EXCL. VAT
BL65100	KLAMPENBORG TABLE LAMP, BLACK POWDER COATING	4.396,00
BL65101	KLAMPENBORG TABLE LAMP, BRUSHED BRASS	5.436,00
BL65102	KLAMPENBORG TABLE LAMP, POLISHED STEEL	5.436,00

TECHNICAL SPECIFICATIONS

COLLI	WEIGHT	CERTIFICATIONS
1	2,7 kg / 5,95 lb	CE and ETL certified, tests can be obtained upon request.



 Carrie Table Lamp, Leather →

 Carrie Table Lamp →

 Carrie Table Lamp, Portable →

 Column Table Lamp, Portable →

 Hashira Table Lamp, Portable →

 JWDA Table Lamp, Portable →

 Torso Table Lamp, Portable →

 Phare Table Lamp →

 Ray Table Lamp, Portable →



CORE

Bound with soft yet durable leather on its browned metal handle, the portable Carrie LED Lamp holds a warm orb of light in its basket-like base. Providing up to ten hours of light when fully charged, the lamp moves effortlessly from the table to the terrasse or a bookcase to a desk, illuminating the dark with its sophisticated glow. The cordless design charges via a concealed magnetic connector and USB cable. The cable charges with a standard USB charger plug. Comes without charger plug. To preserve battery life, switch the lamp off when charging and do not leave plugged in while in use.

CARRIE TABLE LAMP, LEATHER Designed by *Norm Architects*

[BACK TO START](#)



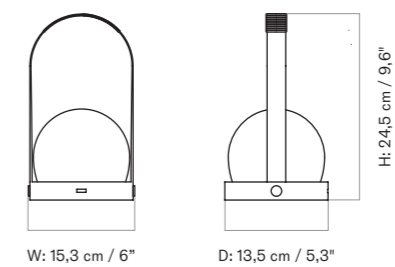
BRONZED BRASS
4864859Y

STOCK OPTIONS — PRICES IN SEK

SKU	VARIANT	EXCL. VAT
4864859Y	CARRIE TABLE LAMP, BRONZED BRASS / LEATHER	1.951,11

TECHNICAL SPECIFICATIONS

COLLI	WEIGHT	CERTIFICATIONS
2	0,62 kg / 1,37 lb	CE and ETL certified, tests can be obtained upon request.





CORE

Portable, lightweight and cordless lamp with a USB charger, opal glass shade and powder coated steel or brushed brass frame. To preserve battery life, switch the lamp off when charging and do not leave plugged in while in use.



BRUSHED BRASS
4863839

CARRIE TABLE LAMP Designed by *Norm Architects*

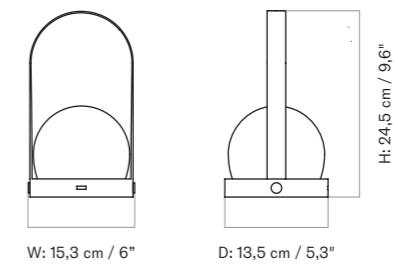
[BACK TO START](#)

STOCK OPTIONS — PRICES IN SEK

SKU	VARIANT	EXCL. VAT
4863839	CARRIE TABLE LAMP, BRUSHED BRASS	1.996,00

TECHNICAL SPECIFICATIONS

COLLI	WEIGHT	CERTIFICATIONS
2	1 kg / 2,2 lb	CE and ETL certified, tests can be obtained upon request.





CORE

CARRIE TABLE LAMP, PORTABLE

Designed by *Norm Architects*

[BACK TO START](#)

A minimalist innovation for freedom and flexibility, Carrie Table Lamp, Portable with a metal or plastic base and glass shade is unique for its multiple uses and mutability. Useful almost anywhere – even on the go – the cordless design comes with a concealed magnetic connector at its base for easy charging. The plastic base version is approved for outdoor use. It features a USB charger at the base, for standard sockets as well as Audo's Charging Board, which reanimates multiple devices in a single sitting. To preserve battery life, switch the lamp off when charging and do not leave plugged in while in use.



BLACK
4864539



BURNED RED
4864349



OLIVE
4864429



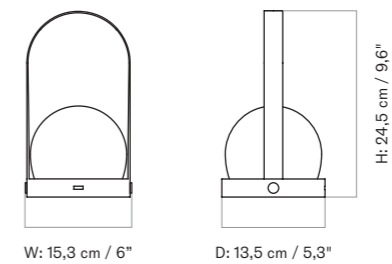
WHITE
4864639

STOCK OPTIONS — PRICES IN SEK

SKU	VARIANT	EXCL. VAT
4864539	CARRIE TABLE LAMP, PORTABLE, BLACK	1.756,00
4864349	CARRIE TABLE LAMP, PORTABLE, BURNED RED	1.756,00
4864429	CARRIE TABLE LAMP, PORTABLE, OLIVE	1.756,00
4864639	CARRIE TABLE LAMP, PORTABLE, WHITE	1.756,00

TECHNICAL SPECIFICATIONS

COLLI	WEIGHT	CERTIFICATIONS
2	1 kg / 2,2 lb	CE and ETL certified, tests can be obtained upon request.





COLUMN TABLE LAMP, PORTABLE
Designed by *Norm Architects*

[BACK TO START](#)

CORE

Powered by battery for the ultimate in freedom and flexibility, the striking mushroom shape of the Column Table Lamp, Portable illuminates spaces indoors and out with its inviting glow, adjustable to three settings. The cordless design charges via a concealed magnetic connector and USB cable. The cable charges with a standard USB charger plug. Comes without charger plug. To preserve battery life, switch the lamp off when charging and do not leave plugged in while in use.



BRONZE
1881869Y



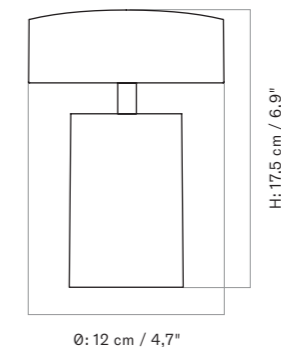
ALUMINIUM
1881039Y

STOCK OPTIONS — PRICES IN SEK

SKU	VARIANT	EXCL. VAT
1881869Y	COLUMN TABLE LAMP, PORTABLE, BRONZE	1.676,00
1881039Y	COLUMN TABLE LAMP, PORTABLE, ALUMINIUM	1.676,00

TECHNICAL SPECIFICATIONS

COLLI	WEIGHT	CERTIFICATIONS
2	0,6 kg / 1,3 lb	CE and ETL certified, tests can be obtained upon request.





HASHIRA TABLE LAMP, PORTABLE
Designed by *Norm Architects*

[BACK TO START](#)

CORE

The small-scale Hashira Table Lamp, Portable is fitted with a dimmable LED that lets you adjust the light to three ambient settings. An elegant and lasting alternative to candlelight, it creates a warm atmosphere wherever it is placed, gently diffusing the light through its tactile fabric shade. The cordless design charges via a concealed magnetic connector and USB cable. The cable charges with a standard USB charger plug. Comes without charger plug. To preserve battery life, switch the lamp off when charging and do not leave plugged in while in use.



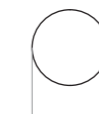
RAW
1508699Y

STOCK OPTIONS — PRICES IN SEK

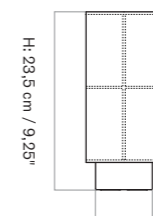
SKU	VARIANT	EXCL. VAT
1508699Y	HASHIRA TABLE LAMP, PORTABLE, RAW	1.516,00

TECHNICAL SPECIFICATIONS

COLLI	WEIGHT	CERTIFICATIONS
2	0,42 kg / 0,92 lb	CE and ETL certified, tests can be obtained upon request.

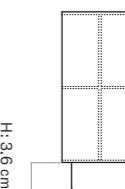


Ø: 10 cm / 3,93"



H: 23,5 cm / 9,25"

Ø: 7,5 cm / 2,95"



H: 3,6 cm / 1,4"



CORE

The JWDA Table Lamp, Portable has the freedom and flexibility to move anywhere you want. The small-scale design in glass and metal is fitted with a concealed magnetic connector and cable. The JWDA Table Lamp, Portable provides 10 hours of adjustable light when fully charged. It features a USB charger at the base, for standard sockets as well as Audo's Charging Board, which reanimates multiple devices in a single sitting. To preserve battery life, switch the lamp off when charging and do not leave plugged in while in use.

JWDA TABLE LAMP, PORTABLE

Designed by *Jonas Wagell*

[BACK TO START](#)



BLACK
1870539Y



ALABASTER WHITE
1870649Y



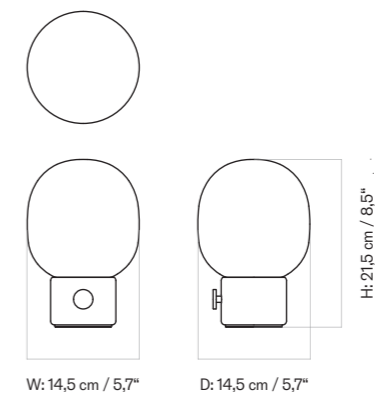
DUSTY GREEN
1870469Y

STOCK OPTIONS — PRICES IN SEK

SKU	VARIANT	EXCL. VAT
1870539Y	JWDA TABLE LAMP, PORTABLE, BLACK	1.676,00
1870649Y	JWDA TABLE LAMP, PORTABLE, ALABASTER WHITE	1.676,00
1870469Y	JWDA TABLE LAMP, PORTABLE, DUSTY GREEN	1.676,00

TECHNICAL SPECIFICATIONS

COLLI	WEIGHT	CERTIFICATIONS
2	N / A	CE and ETL certified, tests can be obtained upon request.





TORSO TABLE LAMP, PORTABLE
Designed by *Krøyer-Sætter-Lassen*

[BACK TO START](#)

CORE

Petite and cosy, Torso Table Lamp, Portable brings a sense of intimacy to tabletops, replacing the need for candles thanks to its soft, ambient light. The miniature lamp features a brass button on the linen canvas shade, enabling you to turn the light on and off at the tap of a finger. A concealed magnetic connector at its base for easy charging. It features a USB charger at the base, for standard sockets as well as Audo's Charging Board, which reanimates multiple devices in a single sitting. To preserve battery life, switch the lamp off when charging and do not leave plugged in while in use.



BLACK
1290539



SAND
1290659Y



RUBY
1290379

STOCK OPTIONS — PRICES IN SEK

SKU	VARIANT	EXCL. VAT
1290539	TORSO TABLE LAMP, PORTABLE, BLACK	1.756,00
1290659Y	TORSO TABLE LAMP, PORTABLE, SAND	1.756,00
1290379	TORSO TABLE LAMP, PORTABLE, RUBY	1.756,00

TECHNICAL SPECIFICATIONS

COLLI	WEIGHT	CERTIFICATIONS
2	N / A	CE and ETL certified, tests can be obtained upon request.





CORE

Cordless, portable lamp with diagonal metal base and inbuilt, rechargeable LED light source. The lamp stands on or hangs from its horizontal base, which acts as a weight. To preserve battery life, switch the lamp off when charging and do not leave plugged in while in use.



BURNED RED
1755349

PHARE TABLE LAMP Designed by *Stanislaw Czarnocki*

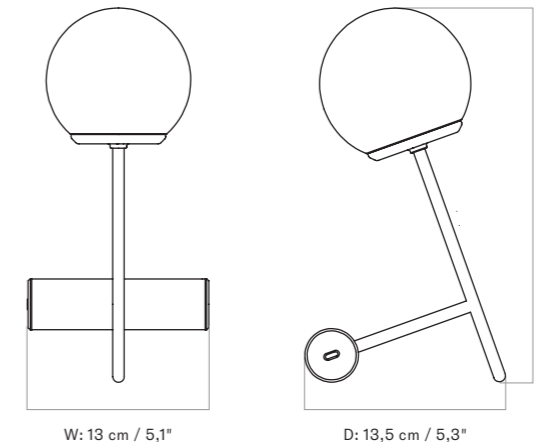
[BACK TO START](#)

STOCK OPTIONS — PRICES IN SEK

SKU	VARIANT	EXCL. VAT
1755349	PHARE TABLE LAMP, BURNED RED	1.516,00

TECHNICAL SPECIFICATIONS

COLLI	WEIGHT	CERTIFICATIONS
2	0,423 kg / 0,93 lb	CE certified, tests can be obtained upon request.





RAY TABLE LAMP, PORTABLE
Designed by *Daniel Schofield*

[BACK TO START](#)

CORE

With its distinctive, minimalist silhouette the Ray Table Lamp, Portable is inspired by old mining lamps. Made with indoor and outdoor use in mind, the dimmable lamp in two classic colours offers on-the-go illumination, adjustable to three settings. The cordless design charges via a concealed magnetic connector and USB cable. The cable charges with a standard USB charger plug. Comes without charger plug. To preserve battery life, switch the lamp off when charging and do not leave plugged in while in use.



BLACK
1890539Y



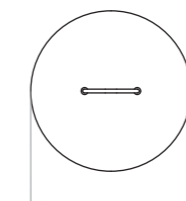
DUSTY GREEN
1890469Y

STOCK OPTIONS — PRICES IN SEK

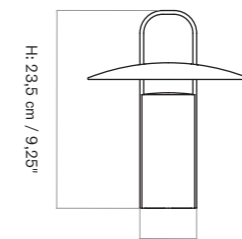
SKU	VARIANT	EXCL. VAT
1890539Y	RAY TABLE LAMP, PORTABLE, BLACK	2.156,00
1890469Y	RAY TABLE LAMP, PORTABLE, DUSTY GREEN	2.156,00

TECHNICAL SPECIFICATIONS

COLLI	WEIGHT	CERTIFICATIONS
1	0,81 kg / 1,78 lb	CE and ETL certified, tests can be obtained upon request.

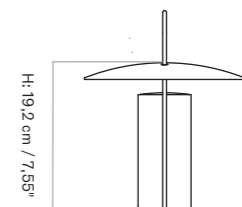


Ø: 21,2 cm / 8,34"



H: 23,5 cm / 9,25"

Ø: 7,5 cm / 2,95"



H: 19,2 cm / 7,55"

 Hashira Wall Lamp →

 TR Bulb Ceiling/Wall Lamp →

 Cast Sconce Wall Lamp with Diffuser, Dimmable →

 Collector Wall Lamp →



CORE

Taking its design cues from traditional Japanese lanterns, the Hashira Wall Lamp has a translucent textile shade that softly diffuses the light. Conceived for Audo by Norm Architects, it looks equally elegant mounted alone as it does in pairs above a bed or sofa.



RAW
1506699

HASHIRA WALL LAMP

Designed by *Norm Architects*

[BACK TO START](#)

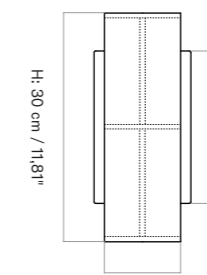
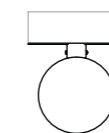
STOCK OPTIONS — PRICES IN SEK

SKU	VARIANT	EXCL. VAT
1506699	HASHIRA WALL LAMP, RAW	1.996,00

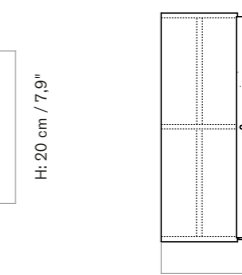
TECHNICAL SPECIFICATIONS

COLLI	WEIGHT	CERTIFICATIONS
2	0,92 kg / 2 lb	CE and ETL certified, tests can be obtained upon request.

W: 12,7 cm / 5"



Ø: 10 cm / 3,94"



D: 11,6 cm / 4,57"



TR BULB CEILING/WALL LAMP
Designed by *Tim Rundle*

[BACK TO START](#)

CORE

Black powder coated steel or brushed brass ceiling / wall lamp with PVC cord. Opal glass bulb with a shiny or matte finish.



BLACK, MATTE OPAL BULB
1494639



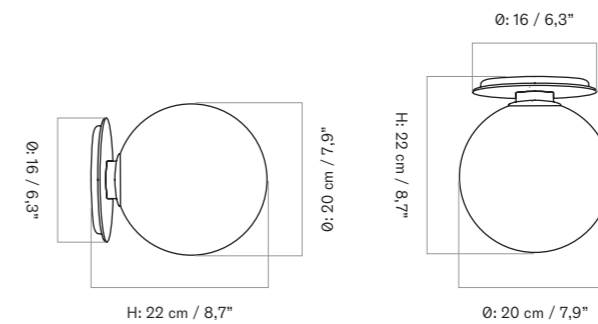
BRUSHED BRASS, MATTE OPAL BULB
1464639

STOCK OPTIONS — PRICES IN SEK

SKU	VARIANT	EXCL. VAT
1494639	TR BULB, CEILING / WALL LAMP, BLACK W / MATTE OPAL BULB	1.776,00
1464639	TR BULB, CEILING / WALL LAMP, BRUSHED BRASS W / MATTE OPAL BULB	3.272,00

TECHNICAL SPECIFICATIONS

COLLI	WEIGHT	CERTIFICATIONS
1	1,6 kg / 3,5 lb	CE and ETL certified, tests can be obtained upon request.





CAST SCONCE WALL LAMP W/DIFFUSER, DIMMABLE
Designed by *Tom Chung & Jordan Murphy*

[BACK TO START](#)

CORE

Cast aluminium lamp with vertical brass arm with mounting plate for wall. The lamp is unable to be adjusted once mounted. Please ensure the correct shade angle before attaching to a wall.



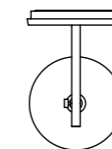
BLACK
1251539

STOCK OPTIONS — PRICES IN SEK

SKU	VARIANT	EXCL. VAT
1251539	CAST SCONCE WALL LAMP W/DIFFUSER, DIMMABLE	1.996,00

TECHNICAL SPECIFICATIONS

COLLI	WEIGHT	CERTIFICATIONS
1	0,85 kg / 1,87 lb	CE and ETL certified, tests can be obtained upon request.

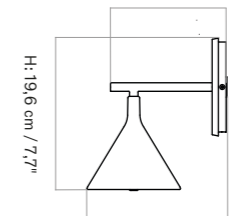


Ø: 12,5 cm / 4,92"



Ø: 12 cm / 4,7"

D: 14,9 cm / 5,9"



H: 19,6 cm / 7,7"

D: 18 cm / 7,09"



COLLECTOR WALL LAMP

Designed by *Alf Svensson*

CORE

Comprising two conical shades that emit upward and downward light, the Collector, Wall Lamp is a timeless, mid-century design created in the 1950s by Alf Svensson. The wall-mounted lamp is defined by a brass band and small perforations in the shades that allow the light to shine through.



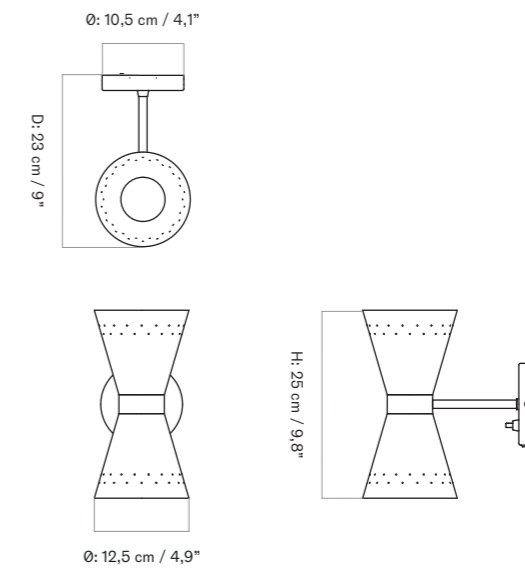
CRÈME
1395649

STOCK OPTIONS — PRICES IN SEK

SKU	VARIANT	EXCL. VAT
1395649	COLLECTOR WALL LAMP, CRÈME	5.436,00

TECHNICAL SPECIFICATIONS

COLLI	WEIGHT	CERTIFICATIONS
1	0,57 kg / 1,25 lb	CE and ETL certified, tests can be obtained upon request.





Hashira Floor Lamp



Hashira Floor Lamp, High



JWDA Floor Lamp



Peek Floor Lamp



Wing Floor Lamp





HASHIRA FLOOR LAMP
Designed by *Norm Architects*

[BACK TO START](#)

CORE

Translucent, cylindrical fabric shade with metal frame, textile cord and dimmer switch.



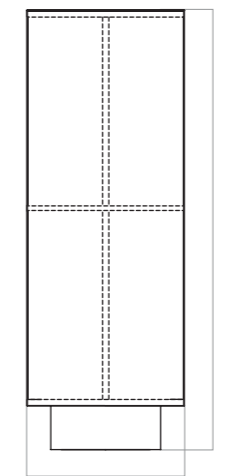
RAW
1501699

STOCK OPTIONS — PRICES IN SEK

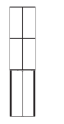
SKU	VARIANT	EXCL. VAT
1501699	HASHIRA FLOOR LAMP, RAW	6.876,00

TECHNICAL SPECIFICATIONS

COLLI	WEIGHT	CERTIFICATIONS
1	6,51 kg / 14,35 lb	CE and ETL certified, tests can be obtained upon request.



Ø: 30 cm / 11,8"



CORE

HASHIRA FLOOR LAMP, HIGH

Designed by *Norm Architects*

[BACK TO START](#)

Set on an elegant powder-coated steel foot for an elevated and airy expression, the Japanese-inspired Hashira High Floor Lamp by Norm Architects illuminates spaces with soft light, elegantly diffused through its tactile fabric shade.



WHITE
1507059



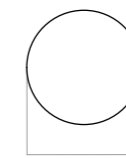
RAW
1507699

STOCK OPTIONS — PRICES IN SEK

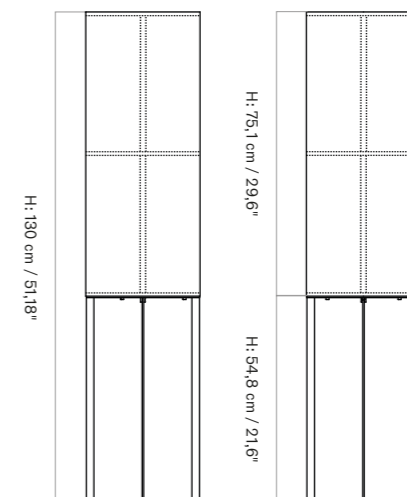
SKU	VARIANT	EXCL. VAT
1507059	HASHIRA FLOOR LAMP, HIGH, WHITE	6.556,00
1507699	HASHIRA FLOOR LAMP, HIGH, RAW	6.876,00

TECHNICAL SPECIFICATIONS

COLLI	WEIGHT	CERTIFICATIONS
1	N / A	CE and ETL certified, tests can be obtained upon request.



Ø: 30 cm / 11,81"



H: 130 cm / 51,18"

H: 75,1 cm / 29,6"

H: 54,8 cm / 21,6"



CORE

Solid brushed brass or solid bronzed brass stem lamp set on a rounded stone base with elliptical opal glass shade and brass dimmer switch.

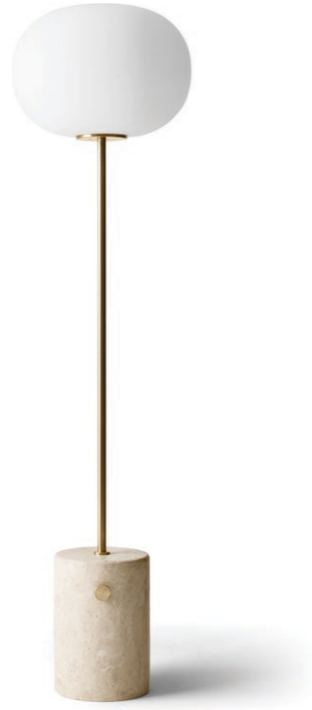
JWDA FLOOR LAMP

Designed by *Jonas Wagell*

[BACK TO START](#)

STOCK OPTIONS — PRICES IN SEK

SKU	VARIANT	EXCL. VAT
1840619	JWDA FLOOR LAMP, TRAVERTINE / BRUSHED BRASS	13.112,00
1840639	JWDA FLOOR LAMP, CARRARA MARBLE / BRONZED BRASS	13.112,00



TRAVERTINE / BRUSHED BRASS
1840619



CARRARA MARBLE / BRONZED BRASS
1840639

TECHNICAL SPECIFICATIONS

COLLI

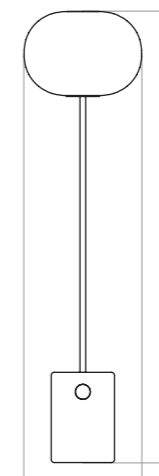
1

WEIGHT

Lamp shade: 2,68 kg / 5,9 lb
Base, travertine: 14,20 kg / 31,3 lb
Base, Carrara marble: 15,7 kg / 34,6 lb

CERTIFICATIONS

CE and ETL certified, tests can be obtained upon request.



Ø: 39 cm / 9,1"



CORE

PEEK LAMP

Designed by *Jonas Wagell*

[BACK TO START](#)

Powder coated steel and aluminium lamp with angled shade and textile cord. Directional base and shade for angled lighting.



BLACK
1320539



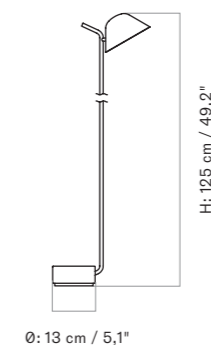
WHITE
1320639

STOCK OPTIONS — PRICES IN SEK

SKU	VARIANT	EXCL. VAT
1320539	PEEK FLOOR LAMP, BLACK	4.236,00
1320639	PEEK FLOOR LAMP, WHITE	4.236,00

TECHNICAL SPECIFICATIONS

COLLI	WEIGHT	CERTIFICATIONS
2	3,2 kg / 7,1 lb	CE and ETL certified, tests can be obtained upon request.





CORE

Modernist and minimal yet full of character, the Wing Floor Lamp features a 360° rotating shade that directs light wherever it is needed. Imagined by the Swedish designer Kenneth Bergenblad in the 1980s, it embraces traditional Nordic lighting sensibilities past and present.

WING FLOOR LAMP

Designed by *Kenneth Bergenblad*

[BACK TO START](#)



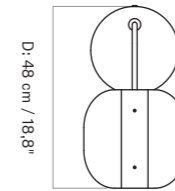
ALUMINUM
1392109

STOCK OPTIONS — PRICES IN SEK

SKU	VARIANT	EXCL. VAT
1392109	WING FLOOR LAMP	9.836,00

TECHNICAL SPECIFICATIONS

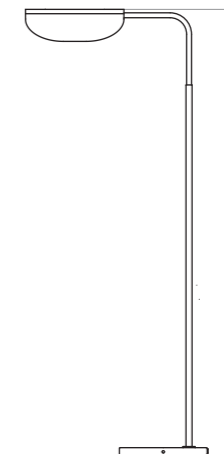
COLLI	WEIGHT	CERTIFICATIONS
1	5,5 kg / 12,1 lb	CE and ETL certified, tests can be obtained upon request.



W: 27 cm / 10,6"



Ø: 23 cm / 9"



H: 118 cm / 46,4"

BULBS

 TR Bulb →

 Globe Bulb →

 Bulbs →

CHARGING SYSTEMS

 Charging Board →

 Charging Trolley →

 Universal Charger →



TR BULB

Designed by *Tim Rundle*

[BACK TO START](#)

CORE

Portable, opal glass LED bulb with a matte finish and dimmable as standard.



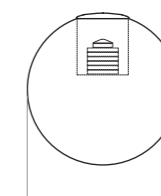
MATTE OPAL
1470639

STOCK OPTIONS — PRICES IN SEK

SKU	VARIANT	EXCL. VAT
1470639	TR BULB, MATTE OPAL	876,00

TECHNICAL SPECIFICATIONS

COLLI	WEIGHT	CERTIFICATIONS
2	0,694 kg / 1,5 lb Weight can vary	CE and ETL certified, tests can be obtained upon request.



Ø: 20 cm / 7,9"



GLOBE BULB

Designed by *Audo*

[BACK TO START](#)

CORE

Energy-saving bulb in two versions: opal glass LED bulb with frosted finish and clear glass LED bulb with dim to warm function. The effect known as dim to warm lowers the colour temperature of an LED bulb when dimmed. The lower the brightness, the warmer (more orange) the colour to create a more natural ambience reminiscent of the sky at sunset. Dimming does not alter the colour temperature, but rather simply lowers the light level.

Globe bulb LED 95



LED BULB, DTW, CLEAR 95
2610039



LED BULB, DIMMABLE, OPAL, 95
2510639

Globe bulb LED 125



LED BULB, DTW, CLEAR 125
2611039

STOCK OPTIONS — PRICES IN SEK

SKU	VARIANT	EXCL. VAT
2610039	GLOBE BULB, LED DTW, 95, CLEAR, E27	384,00
2510639	GLOBE BULB, LED, 95, OPAL, E27	384,00
2611039	GLOBE BULB, LED DTW, 125, CLEAR, E27	404,00

TECHNICAL SPECIFICATIONS

COLLI

4

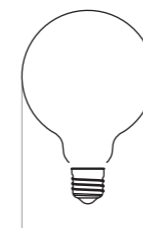
WEIGHT

Globe Bulb, LED, 95: 0,06 kg / 0,14 lb
Globe Bulb, LED, 125: 0,1 kg / 0,2 lb

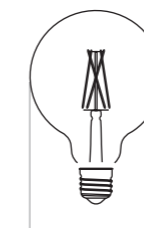
CERTIFICATIONS

CE certified, tests can be obtained upon request.

GLOBE BULB LED 95

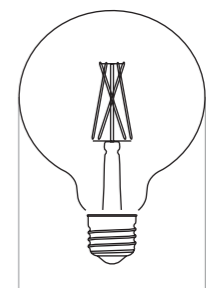


Ø: 9,5 cm / 3.7"



Ø: 9,5 cm / 3.7"

GLOBE BULB LED 125



Ø: 12,5 cm / 4.9"



BULBS

Designed by *Audo*

[BACK TO START](#)

CORE

Dimmable LED bulb with a matt surface.

A60



BULB E27
2700639

A45



BULB E14
2701639

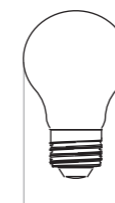
STOCK OPTIONS — PRICES IN SEK

SKU	VARIANT	EXCL. VAT
2700639	BULB E27, A60, CE, 6 W	344,00
2701639	BULB E14, A45, CE, 4 W	284,00

TECHNICAL SPECIFICATIONS

COLLI	WEIGHT	CERTIFICATIONS
4	Bulb E27, A60: 0,03 kg / 0,07 lb Bulb E14, A45: 0,01 kg / 0,02 lb	CE certified, tests can be obtained upon request.

BULB A60



Ø: 6 cm / 2.4"

BULB A45



Ø: 4,8 cm / 1.8"

CHARGING BOARD

Designed by *Audo*

[BACK TO START](#)

CORE

A smart solution for charging multiple portable lamps in one go, the Charging Board in Steel is practical when time is of the essence and space is at a premium. Simply place up to ten lamps onto the designated charging stations when not in use.

Can be used for these lamps:

- Column
- Ray (But keep in mind that due to the Ray lamp's big shade, it can't use all the charging stations at the same time)



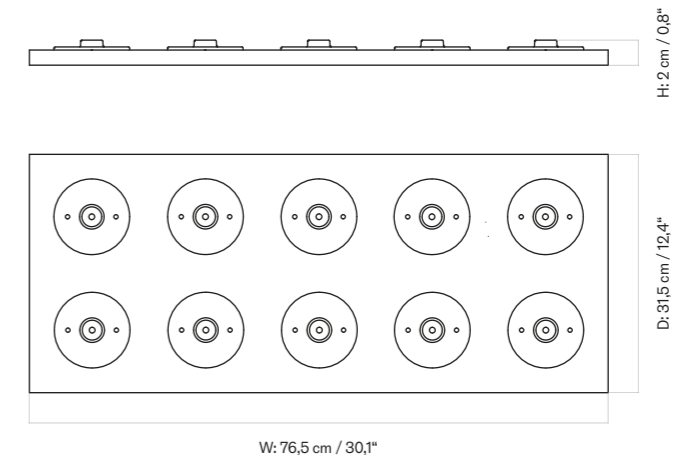
BLACK
4865539

STOCK OPTIONS — PRICES IN SEK

SKU	VARIANT	EXCL. VAT
4865539	CHARGING BOARD, 10 OUTLETS, BLACK	6.876,00

TECHNICAL SPECIFICATIONS

COLLI	WEIGHT	CERTIFICATIONS
1	N / A	CE and ETL certified, tests can be obtained upon request.





CHARGING TROLLEY

Designed by *Audo*

[BACK TO START](#)

CORE

A practical solution when charging multiple lamps, the Charging Trolley in powder-coated metal can be fitted with up to three designated charging stations to reanimate multiple portable lamps at once. Charging boards to be purchased separately.



BLACK
4866539

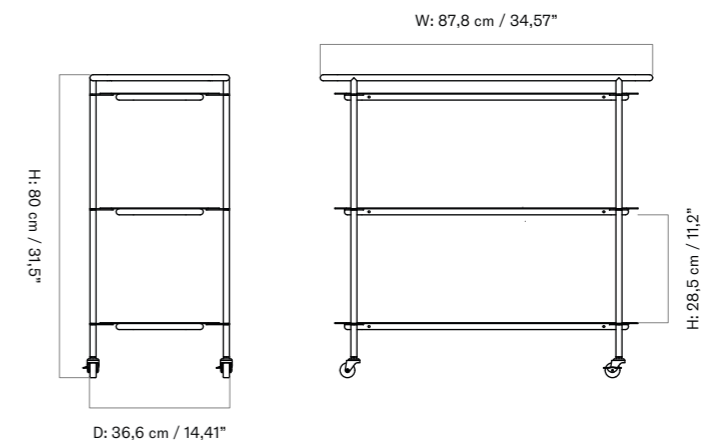


STOCK OPTIONS — PRICES IN SEK

SKU	VARIANT	EXCL. VAT
4866539	CHARGING TROLLEY	4.556,00

TECHNICAL SPECIFICATIONS

COLLI	WEIGHT	CERTIFICATIONS
1	15.7 kg / 34,6 lb	N / A





UNIVERSAL CHARGER
Designed by *Audo*

[BACK TO START](#)

CORE

The Universal Charger is a USB charger with five interchangeable plugs with an output of five volts and two amperes. The five interchangeable plugs are suitable for North America, Australia, China, Europe and the UK. The Universal Charger can be used to all Audo portable lamps.



BLACK
630013

STOCK OPTIONS — PRICES IN SEK

SKU	VARIANT	EXCL. VAT
630013	UNIVERSAL CHARGER (CE,UL,UKCA,CCC,RCM)	240,00

TECHNICAL SPECIFICATIONS

COLLI	WEIGHT	CERTIFICATIONS
1	N / A	CE, UL, UKCA, CCC, RCM certified

Addendum

This page provides an overview of Audo's five product categories, production and lead times, as well as a short description of each and what you can expect. Lead times denote our commitment to ensuring that your order is expedited in a timely manner, allowing you to factor the cycle into your deadlines.

Each Audo SKU is offered with a series of assets that help you to market our products and include product imagery, POS material and social media content. Furthermore, we are committed to upholding compliancy where relevant and providing service support throughout.

PRODUCT CATEGORY	DESCRIPTION	PRODUCTION TIME	LEAD-TIME INCL. TRANSPORTATION TO CUSTOMER
STOCK ITEMS	Items which are in stock and ready to be shipped within 24 hours of order confirmation.	24 - 48 hours	Up to 2 weeks
QUICK SHIP (QS)	Fast track items in predefined combinations	2 - 4 weeks	4 - 6 weeks
RECOMMENDED COMBINATIONS (RC)	Predefined products combinations.	5 - 6 weeks	6 - 8 weeks
SPEC	Combinations outside QS and RC categories.	5 - 6 weeks	6 - 8 weeks
COM	Bespoke upholstery.	2 - 6 weeks from when COM is delivered to the production site	4 - 8 weeks

Delivery

A freight charge of 5% are added to orders above 600 EUR / 6.000 SEK / 6.000 NOK / 500 GBP / 5.000 DKK orders below this amount will be added a minimum fee of 30 EUR / 300 SEK / 300 NOK / 25 GBP / 250 DKK.

The freight covers standard delivery to a business address on weekdays between 8am–4pm. Special requirements on deliveries are subject to an extra charge and will be quoted individually.

Pallet fees (if required, will be added before shipment):

- 1 Pallet: 10 EUR / 100 SEK / 100 NOK / 8 GBP / 75 DKK
 - ½ Pallet: 8 EUR / 75 SEK / 75 NOK / 7 GBP / 60 DKK
 - ¼ Pallet: 6 EUR / 60 SEK / 60 NOK / 6 GBP / 50 DKK
- Countries within the EU*: DAP Incoterms 2020
 - European countries outside the EU and Greece: FCA terms
 - Switzerland & UK: DAP Incoterms 2020, plus a fixed order fee of 25 EUR / 25 GBP for customs.
 - All other regions: FCA terms
- Orders are to be placed in full Master cartons.
 - Should Master carton be breached, a fee of:
 - 20 EUR / 200 SEK / 200 NOK / 16 GBP / 150 DKK per product line, will be charged

We refer to our website: audocph.com for our General Terms and Conditions.

*Shipments off mainland EU might be subject to an extra charge and will be quoted individually.

AUDO SWATCH BOX PRICE LIST

[BACK TO START](#)

MATERIAL	SKU	PCS	NAME	SEK INCL. VAT	SEK EXCL. VAT
COMPLETE SAMPLE BOX (INCLUDES ALL SWATCHES)	1220			2.000,00	1.600,00
SOLID WOOD	1200-79	1	OAK, SOAP	30,00	24,001
	1200-80	1	OAK, WHITE		
	1200-81	1	OAK, OIL		
	1200-82	1	OAK, LACQUER		
	1200-84	1	OAK, GLOSSY LACQUER		
	1200-85	1	OAK, BROWN, OIL		
	1200-86	1	OAK, DARK STAINED, OIL		
	1200-87	1	OAK, DARK STAINED, LACQUER		
	1200-88	1	OAK, DARK, OIL		
	1200-90	1	OAK, BLACK STAINED, OIL		
	1200-91	1	OAK, BLACK STAINED, LACQUER		
	1200-92	1	OAK, BLACK PAINTED, MAT LACQUER		
	1200-93	1	BEECH, BLACK STAINED, OIL		
	1200-94	1	ASH, BLACK STAINED, LACQUER		
	1200-95	1	WALNUT, OILED		
	1200-97	1	WALNUT, LACQUER		
VENEER AND MDF	1200-70	1	WALNUT, OIL	30,00	24,001
	1200-71	1	WALNUT, LACQUER		
	1200-72	1	OAK, OIL		
	1200-73	1	OAK, LACQUER		
	1200-74	1	OAK, RED STAINED, LACQUER		
	1200-75	1	ASH, BLACK, LACQUER		
	1200-76	1	OAK, BLACK, PU LACQUER		
	1200-77	1	OAK, BLACK PAINTED, LACQUER		
	1200-78	1	OAK, DARK STAINED, LACQUER		
MDF WITH TEXTILE	1200-64	1	BRICK RED TEXTILE ON MDF	30,00	26,67
	1200-65	1	TAUPE TEXTILE ON MDF		
	1200-66	1	OFF WHITE TEXTILE ON MDF		
BRASS	1200-33	1	POLISHED BRASS	30,00	24,00
	1200-34	1	BRUSHED BRASS		
	1200-35	1	BRONZED BRASS		
CHROME	1200-9	1	CHROME	30,00	26,67
	1200-11	1	BLACK CHROME		
ALUMINIUM	1200-12	1	POLISHED ALUMINIUM	30,00	24,00
	1200-14	1	BRONZE GREY		
POWDER COATING	1200-2	1	BLACK, RAL 9005, GLOSS 5-10	30,00	26,67
	1200-3	1	BLACK, RAL 9005, GLOSS 20		
	1200-5	1	WHITE, RAL 9016, GLOSS 20		
	1200-8	1	IVORY, NCS S 1002-Y50R, GLOSS 5-10		
	1200-62	1	CREAM, GLOSS 15		
LINOLEUM	1200-24	1	CHARCOAL	30,00	24,00
	1200-25	1	MUSHROOM		
LAMINATE	1200-67	1	LAMINATE BLACK GLOSSY	30,00	26,67
	1200-68	1	LAMINATE FOG GLOSSY		
	1200-69	1	LAMINATE BURGUNDY		

MATERIAL	SKU	PCS	NAME	SEK INCL. VAT	SEK EXCL. VAT
STONE / MARBLE	1200-61	1	TRAVETINE	60,00	48,00
	1200-46	1	NERO MARQUINA MARBLE		
	1200-47	1	CARRARA MARBLE		
	1200-48	1	GREY KENDZO MARBLE		
	1200-49	1	ESTREMOZ MARBLE		
	1200-50	1	CRYSTAL ROSE MARBLE		
	1200-52	1	CALCATTIA VIOLA MARBLE		
	1200-53	1	KUNIS BRECCIA STONE		
	1200-59	1	EMPERADOR MARBLE		
GLAS	1200-15	1	DARK GREEN	30,00	24,00
	1200-16	1	DARK BROWN		
	1200-17	1	BEIGE		
RUGS	5850130P	1	GRAVEL RUG, GREY	60,00	48,00
	5850640P	1	GRAVEL RUG, IVORY		
	5855049P	1	HOUKIME RUG, BEIGE		
FRAME COLORS	1200-98	1	BLACK STAINED ASH	30,00	26,67
	1200-99	1	NATURAL OAK		
	1200-100	1	SMOKED OAK		
	1200-101	1	WHITE		
CORE LEATHER	1194-82	1	NORFOLK NATURE BLA3001SP	30,00	24,00
	1194-83	1	NORFOLK DARK BROWN BLA6001SP		
	1194-84	1	NORFOLK BLACK BLA2001SP		
FELT	1200-63	1	OFF WHITE	30,00	24,00
SHEEPSKIN NEVOTEX	1300-4	1	SAHARA	37,50	33,33
	1300-5	1	NATUR		
	1300-6	1	ROOT		
SHEEPSKIN SKANDILOCK	1300-7	1	MOONLIGHT	30,00	24,00
	1300-8	1	OFF WHITE		
	1300-9	1	SAHARA		
	1300-10	1	GREEN TEA		
	1300-11	1	HONEY		
	1300-12	1	ESPRESSO		
COMPLETE HARBOUR RING INCLUDES ALL SWATCHES 6 PCS	1196			150,00	120,00
PLASTIC	1196-1	1	BLACK (RAL 9011)	30,00	24,00
	1196-2	1	WHITE (RAL 9016)		
	1196-3	1	BURNED RED (RAL 8015)		
	1196-4	1	KHAKI (RAL 1011)		
	1196-5	1	LIGHT GREY (RAL 9002)		
	1196-6	1	OLIVE (RAL 7002)		

AUDO SWATCH BOX PRICE LIST

[BACK TO START](#)

MATERIAL	SKU	PCS	NAME	SEK INCL. VAT	SEK EXCL. VAT
COMPLETE UPHOLSTERY RING INCLUDES ALL SWATCHES	1194			675,00	540,00
TEXTILE	1194-3	1	DOPPIOPANAMA, T14012/001, DEDAR	30,00	24,00
	1194-61	1	DOPPIOPANAMA, T14012/004, DEDAR		
	1194-4	1	AUDO BOUCLÉ 02		
	1194-5	1	AUDO BOUCLÉ 06		
	1194-6	1	AUDO BOUCLÉ 08		
	1194-7	1	AUDO BOUCLÉ 16		
	1194-63	1	AUDO BOUCLÉ 07		
	1194-64	1	AUDO BOUCLÉ 15		
	1194-65	1	AUDO BOUCLÉ 20		
	1194-50	1	BARNUM BOUCLÉ 04		
	1194-51	1	BARNUM BOUCLÉ 05		
	1194-52	1	BARNUM BOUCLÉ 10		
	1194-66	1	BARNUM BOUCLÉ 11		
	1194-67	1	BARNUM BOUCLÉ 19		
	1194-53	1	BARNUM BOUCLÉ 21		
	1194-68	1	BARNUM BOUCLÉ 24		
	1194-11	1	CHAMPION 035, JAB		
	1194-9	1	CHAMPION 041, JAB		
	1194-10	1	CHAMPION 061, JAB		
	1194-28	1	REMIX 3, 152, KVADRAT		
	1194-27	1	REMIX 3, 233, KVADRAT		
	1191-1	1	RE-WOOL, 218, KVADRAT		
	1191-2	1	RE-WOOL, 448, KVADRAT		
	1194-14	1	CANVAS, 154, KVADRAT		
	1194-16	1	CANVAS. 356, KVADRAT		
	1194-17	1	FIORD, 581, KVADRAT		
	1194-21	1	FIORD, 751, KVADRAT		
	1194-69	1	FIORD, 782, KVADRAT		
	1194-18	1	FIORD, 951, KVADRAT		
	1194-19	1	FIORD, 961, KVADRAT		
	1194-20	1	FIORD, 981, KVADRAT		
	1191-3	1	HALLINGDAL 65, 110, KVADRAT		
	1194-70	1	HALLINGDAL 65, 153, KVADRAT		
	1194-71	1	HALLINGDAL 65, 173, KVADRAT		
	1194-23	1	HALLINGDAL 65, 200, KVADRAT		
	1194-72	1	HALLINGDAL 65, 370, KVADRAT		
	1191-4	1	HALLINGDAL 65, 600, KVADRAT		
	1194-55	1	MOSS 001, KVADRAT / SAHCO		
	1194-56	1	MOSS 004, KVADRAT / SAHCO		
	1194-73	1	MOSS 011, KVADRAT / SAHCO		
	1194-25	1	MOSS 014, KVADRAT / SAHCO		
	1194-26	1	MOSS 019, KVADRAT / SAHCO		
	1194-24	1	MOSS 022, KVADRAT / SAHCO		
	1194-57	1	REFLECT 344, KVADRAT		
	1194-8	1	ARCTIC 040, JAB		
	1194-31	1	SAFIRE 001, KVADRAT / SAHCO		
	1194-59	1	SAFIRE 004, KVADRAT / SAHCO		
	1194-33	1	SAFIRE 006, KVADRAT / SAHCO		
	1194-32	1	SAFIRE 012, KVADRAT / SAHCO		
	1194-74	1	VIDAR 4 182, KVADRAT		
	1194-75	1	VIDAR 4 323, KVADRAT		
	1194-76	1	VIDAR 4 472, KVADRAT		
	1194-77	1	VIDAR 4 582, KVADRAT		
	1194-78	1	ZERO 001, KVADRAT / SAHCO		
	1194-79	1	GRAND MOHAIR 1103, DANISH ART WEAVING		
	1194-80	1	GRAND MOHAIR 2600, DANISH ART WEAVING		
	1194-81	1	GRAND MOHAIR 8205, DANISH ART WEAVING		
	1194-62	1	LUPO 004, DEDAR		
	1194-49	1	AUDO COTLIN POPPY SEED		
	1194-48	1	AUDO COTLIN WHEAT		
	1194-47	1	AUDO COTLIN OAT		

MATERIAL	SKU	PCS	NAME	SEK INCL. VAT	SEK EXCL. VAT
LEATHER	1194-34	1	DAKAR 0250, NEVOTEX	30,00	24,00
	1194-35	1	DAKAR 0311, NEVOTEX		
	1191-5	1	DAKAR 0329, NEVOTEX		
	1194-36	1	DAKAR 0842, NEVOTEX		
	1194-38	1	ILLUSION, CAMEL 85020, NEVOTEX		
	1194-39	1	DUNES, COGNAC 21000, SØRENSEN		
	1194-40	1	DUNES, ANTHRAZITE 21003, SØRENSEN		
	1194-41	1	DUNES, DARK BROWN 21001, SØRENSEN		
	1194-60	1	DUNES, CAMEL 21004, SØRENSEN		

We offer tailor-made material to help you market our products.
The below outlines the available content.

Please find a complete overview of all available colour
and material swatches for specific furniture designs in
our online content library:

[overview.xlsx](#)

POS CATEGORY	SKU	POS ITEM
CATALOGUES	405	CASE BOOK VOL 2
LOGO	240	AUDO CPH, LOGO BLOCK, SMALL
	241	AUDO CPH, LOGO BLOCK, LARGE
	242	AUDO CPH, ACRYLIC LOGO, SMALL
	243	AUDO CPH, ACRYLIC LOGO, LARGE
	239	AUDO CPH, BRAND LEAFLET
	244	AUDO CPH, POSTCARDS
	245	AUDO CPH, POSTERS
	237	AUDO CPH, LEAFLET HOLDER
	222	AUDO CPH, TOTE BAGS, SMALL
	167	AUDO CPH, BRAND TEXT, VINYL
	170	NAPKIN BOX 23 X 18 X 11 CM

Printed POS and Store Space displays available upon request to your local sales representative.

CONTENT PACKAGE

- PACKSHOTS
- LIFESTYLE IMAGES
- PRESS RELEASES
- PRODUCT FACT SHEETS
- SOCIAL MEDIA CAPTIONS
- 2D FILES
- 3D FILES
- PRODUCT VIDEOS OF HERO PRODUCTS

Digital Addressable Lighting Interface (DALI) is a dedicated open protocol for digital lighting control that enables the easy installation of robust, scalable and flexible lighting networks. Audo's lighting collection is divided into three categories:

DALI incompatible

Lighting with drivers or dimmers that cannot communicate with DALI.

To use with DALI they must be heavily modified or custom produced (SOR when possible).

DALI with converter

Lighting without drivers or electronics can be used with a DALI converter and dimmer. These components are standard in DALI and authorised electricians will select the best combination of components for a specific DALI system.

Based on test results, we suggest one driver/converter set per lamp to avoid a significant drop in voltage when connected in groups.

DALI compatible

Lighting with drivers or dimmers that can be connected directly to DALI, without the need for converters/drivers.

	DALI INCOMPATIBLE	DALI WITH CONVERTER	DALI COMPATIBLE
PENDANTS			
BANK PENDANT		•	
CAST PENDANT		•	
CIRCULAR PENDANT	•		
COLLECTOR CHANDELIER 3 / 5		•	
DANCING PENDANT		•	
HASHIRA PENDANT / CLUSTER		•	
JWDA PENDANT	•		
LEVITATE PENDANT 28/40		•	
RESONANT PENDANT		•	
TR BULB PENDANT / FRAME		•	
UMANOFF PENDANT		•	
WALL LAMPS			
CAST SCONCE WALL WITH DIFFUSER	•		
COLLECTOR WALL		•	
HASHIRA WALL	•		
TR BULB CEILING/WALL		•	
TABLE LAMPS			
HASHIRA TABLE	•		
JWDA TABLE/MARBLE	•		
PEEK TABLE	•		
REVERSE TABLE	•		
TORSO TABLE 37 / 57	•		
TR BULB TABLE / TABLE-WALL (WITH CORD)	•		
TR BULB TABLE / TABLE-WALL (HARDWIRED)		•	
WING TABLE		•	
FLOOR LAMPS			
HASHIRA FLOOR	•		
HASHIRA FLOOR, HIGH	•		
JWDA FLOOR	•		
PEEK FLOOR		•	
WING FLOOR		•	
PORTABLE LAMPS			
ALL	•		

	CORD			ON / OFF DIMMER		CYLINDRICAL CANOPY			PLASTIC CANOPY			
	LENGHT	COLOR	MATERIAL	TYPE	POSITION	HEIGHT	DIAMETER	FINISH	HEIGHT	DIAMETER	FINISH	
PENDANTS												
BANK PENDANT	400	BLACK	PVC	—	—	—	—	—	3,8	11,5	BLACK	
CAST PENDANT	400	BLACK	PVC	—	—	—	—	—	3,8	11,5	BLACK	
CIRCULAR PENDANT	500	BLACK	TEXTILE	BLUETOOTH APP	—	5,5	12	BLACK	—	—	—	
COLLECTOR CHANDELIER 3 / 5	400	BLACK	TEXTILE	—	—	5	11,5	BRASS	—	—	—	
DANCING PENDANT	300	WHITE	TEXTILE	—	—	—	—	—	3,8	11,5	WHITE	
HASHIRA PENDANT / CLUSTER	500	BLACK	TEXTILE	—	—	—	—	—	3,8	11,5	BLACK	
JWDA PENDANT	400	BLACK	PVC	ROTARY	BASE	—	—	—	3,8	11,5	BLACK	
LEVITATE PENDANT 28/40	400	BLACK	PVC	—	—	—	—	—	3,8	11,5	BLACK	
RESONANT PENDANT	400	BLACK	TEXTILE	—	—	5	11,5	BRASS	—	—	—	
TR BULB PENDANT	300	BLACK	TEXTILE	—	—	—	—	—	3,8	11,5	BLACK	
TR BULB FRAME	300	BLACK	TEXTILE	—	—	2,5	12	BLACK / BRASS	3,8	11,5	BLACK	
UMANOFF PENDANT	400	BLACK	TEXTILE	—	—	—	—	—	3,8	11,5	BLACK	
WALL LAMPS												
CAST SCONCE WALL WITH DIFFUSER	200	BLACK	PVC	ROTARY	ON THE CORD	—	—	—	—	—	—	
COLLECTOR WALL	200	WHITE	PVC	SWITCH	ON THE BODY	—	—	—	—	—	—	
HASHIRA WALL	200	BLACK	PVC	SWITCH	ON TOP	—	—	—	—	—	—	
TABLE LAMPS												
HASHIRA TABLE	200	BLACK	TEXTILE	PUSH	ON THE CORD	—	—	—	—	—	—	
JWDA TABLE	200	BLACK	TEXTILE	ROTARY	ON THE BASE	—	—	—	—	—	—	
JWDA TABLE MARBLE	200	WHITE	TEXTILE	ROTARY	ON THE BASE	—	—	—	—	—	—	
PEEK TABLE BLACK	200	BLACK	PVC	3 STEP TOUCH	ON TOP	—	—	—	—	—	—	
PEEK TABLE WHITE	200	WHITE	PVC	3 STEP TOUCH	ON TOP	—	—	—	—	—	—	
REVERSE TABLE	200	BLACK	PVC	ROTARY	ON TOP	—	—	—	—	—	—	
TORSO TABLE 37 / 57	200	BLACK	TEXTILE	3 STEP TOUCH	ON TOP	—	—	—	—	—	—	
TR BULB TABLE / TABLE-WALL (WITH CORD)	200	BLACK	TEXTILE	ROTARY	ON THE CORD	—	—	—	—	—	—	
WING TABLE	200	BLACK	TEXTILE	SWITCH	ON THE CORD	—	—	—	—	—	—	
FLOOR LAMPS												
HASHIRA FLOOR	200	BLACK	TEXTILE	SLIDE	ON THE CORD	—	—	—	—	—	—	
HASHIRA FLOOR, HIGH	220	BLACK	TEXTILE	SLIDE	ON THE CORD	—	—	—	—	—	—	
JWDA FLOOR	200	BLACK	TEXTILE	ROTARY	ON THE BASE	—	—	—	—	—	—	
PEEK FLOOR BLACK	200	BLACK	PVC	3 STEP TOUCH	ON TOP	—	—	—	—	—	—	
PEEK FLOOR WHITE	200	WHITE	PVC	3 STEP TOUCH	ON TOP	—	—	—	—	—	—	
WING FLOOR	200	BLACK	TEXTILE	SWITCH	ON THE CORD	—	—	—	—	—	—	

- PREFERRED
- ALTERNATIVE

RECOMMENDED AUDO BULBS

[BACK TO START](#)

EUROPE	1210000 G9,dim., 1,5W	1220000 G9,dim., 2,5W	1800000 G9,dim., 3,5W	1800002 G4,dim., 1,5W	2701639 E14,dim., 4W	2700639 E27,dim., 6W	1840001 E27,dim., 8W
PENDANTS							
BANK PENDANT						●	○
CAST PENDANT	○	●					
COLLECTOR CHANDELIER 3 / 5						●	
DANCING PENDANT						●	
HASHIRA PENDANT / CLUSTER			●				
JWDA PENDANT							
LEVITATE PENDANT 28					●		
LEVITATE PENDANT 40						●	
RESONANT PENDANT						●	○
UMANOFF PENDANT						●	○
WALL LAMPS							
COLLECTOR WALL							
TABLE LAMPS							
HASHIRA TABLE						●	○
JWDA TABLE / MARBLE			●				
TORSO TABLE 37					●		
TORSO TABLE 57						●	○
WING TABLE						●	○
FLOOR LAMPS							
HASHIRA FLOOR						●	○
HASHIRA FLOOR, HIGH						●	○
JWDA FLOOR						○	●
WING FLOOR						●	○
PORTABLE LAMPS							
TORSO PORTABLE				●			
JWDA PORTABLE				●			
COLUMN PORTABLE				●			

UNITED STATES	1220000U G9,dim., 2,5W	1800000U G9,dim., 3,5W	1800002 G4,dim., 1,5W	2701639U E12,dim., 4W	2700639U E26,dim., 6W	1840001U E26, dim., 8W
PENDANTS						
BANK PENDANT					●	○
CAST PENDANT	●					
COLLECTOR CHANDELIER 3 / 5						
DANCING PENDANT					●	
HASHIRA PENDANT / CLUSTER					●	
JWDA PENDANT		●				
LEVITATE PENDANT 28				●		
LEVITATE PENDANT 40					●	
RESONANT PENDANT					●	○
UMANOFF PENDANT					●	○
WALL LAMPS						
COLLECTOR WALL						
TABLE LAMPS						
HASHIRA TABLE					●	○
JWDA TABLE / MARBLE		●				
TORSO TABLE 37				●		
TORSO TABLE 57					●	○
WING TABLE					●	○
FLOOR LAMPS						
HASHIRA FLOOR					●	○
HASHIRA FLOOR, HIGH					●	○
JWDA FLOOR					○	●
WING FLOOR					●	○
PORTABLE LAMPS						
TORSO PORTABLE			●			
JWDA PORTABLE			●			
COLUMN PORTABLE			●			

LIGHTING SOURCES & BATTERY SPECIFICATIONS

[BACK TO START](#)

BULB INCLUDED

LIGHTING DESIGN	SKU EU	SKU USA
COLUMN PORTABLE	1800002	1800002
TORSO PORTABLE	1800002	1800002
JWDA PORTABLE	1800002	1800002
JWDA TABLE	1800000	1800000U
JWDA FLOOR	1840001	1840001U
JWDA PENDANT	1800000	1800000U
CAST PENDANT	1220000	1220000U
TORSO TABLE 37	2701639	2701639U
TORSO TABLE 57	2700639	2700639U

PORTABLE LAMPS, BATTERY

LIGHTING DESIGN	CHARGING TIME (5V, 1,5 A)	LEVEL I 100 %	LEVEL II 50 %	LEVEL III 25 %
TORSO PORTABLE	6,5 H	7 H	13 H	18 H
JWDA PORTABLE	6,5 H	7 H	13 H	18 H
COLUMN PORTABLE	6,5 H	7 H	13 H	18 H
PHARE PORTABLE (ON/OFF, NOT DIMM.)	6 H	6,5 H		
CARRIE PORTABLE (SKU 4863XXX)	7 H	11 H	16,5 H	45 H
CARRIE PORTABLE IP44 (SKU 4864XXX)	7 H	11 H	16,5 H	45 H
RAY PORTABLE	7 H	11 H	16,5 H	45 H
HASHIRA PORTABLE	7 H	11 H	16,5 H	45 H

BULBS / LED LIFESPAN

BULBS / LED	LIFESPAN
PHARE PORTABLE	15,000 H
CARRIE PORTABLE	30,000 H
CARRIE PORTABLE IP44	30,000 H
RAY PORTABLE	25,000 H
HASHIRA PORTABLE	25,000 H
HASHIRA WALL	25,000 H
CAST SCONCE LED	25,000 H
REVERSE TABLE	25,000 H
PEEK FLOOR / TABLE	30,000 H
CIRCULAR PENDANT	35,000 H
1210000 (G9, DIM, 1,5W)	25,000 H
1220000/U (G9, DIM, 2,5W)	25,000 H
1800000/U (G9, DIM, 3,5W)	30,000 H
1800002 (G4, DIM, 1,5W)	30,000 H
2701639/U (E14, DIM, 4W)	15,000 H
2700639/U (E27, DIM, 6W)	15,000 H
1840001/U (E27, DIM, 8W)	15,000 H
TR BULB (ALL VERSIONS)	30,000 H

LED / BATTERY REPLACEABILITY

LIGHTING DESIGN	BATTERY	LED
TORSO PORTABLE	1755007	G4 SOCKET 1800002
JWDA PORTABLE	1755007	G4 SOCKET 1800002
COLUMN PORTABLE	1755007	G4 SOCKET 1800002
PHARE PORTABLE	1755001	NOT REPLACEABLE
CARRIE PORTABLE (SKU 4863XXX)	1755008	NOT REPLACEABLE
CARRIE PORTABLE IP44 (SKU 4864XXX)	1755008	NOT REPLACEABLE
RAY PORTABLE	1755026	1755027
HASHIRA PORTABLE	1755026	1755027
REVERSE PORTABLE	—	NOT REPLACEABLE
CAST SCONE LED	—	1755020
HASHIRA WALL	—	1755017
PEEK FLOOR / TABLE	—	NOT REPLACEABLE
CIRCULAR PENDANT	—	NOT REPLACEABLE

Upholstery

Textile

The Audo Upholstery Program is an overview of the textile and leathers available for Audo upholstered furniture. All textile and leather options are available in all colors. You'll find over 100 fabric and leather options, with the most popular configurations available with expedited delivery in our Quick Ship program. Custom upholstery orders from our Audo Upholstery Program (SPEC) are ready to ship with standard delivery lead times. Our Fixed Combinations listed in this Brand Book are suggested upholsteries selected by our design team, and deliver with standard lead times.

We are happy to upholster furniture using customer's own materials (COM) with extended delivery lead times, upon fabric approval. COM products are to be calculated by PC1T if in textile and PC1L if in leather, excluding the price of the fabric.

Please note that the color references in this upholstery programme are only intended as a guide. For further information please see manufacturer websites, or contact your local Audo Sales Representative for samples or further information.

KVADRAT.DK
SAHCO.COM
NEVOTEX.COM
JAB.DE
DANISHARTWEAVING.COM
DESIGNERSGUILD.COM
DEDAR.COM



- TESTED AND APPROVED.
- NOT TESTED YET, BUT POSSIBLE TO TEST

Use table to determine the upholstery options available for fabric-covered items.

	AFTERROOM	BRASILIA	CAIRN	CO CHAIR	CONSTANCE CHAIR	CONSTANCE SOFA	EAVE COLLECTION	HARBOUR CHAIR	HARBOUR LOUNGE CHAIR	INGEBORG	KNITTING CHAIR	MERKUR	MINGLE	MY OWN CHAIR	OFFSET	READY	TEAROOM CLUB, SIDE & LOUNGE CHAIR W/SWIVEL	TEAROOM LOUNGE CHAIR	TEAROOM SOFA	THE TIRED MAN	VILHELM	THE PENGUIN	ELIZABETH	ODA	PAGODE	RADIOHUS	THE SEAL	
PRICE CATEGORY 0																												
AUDO BOUCLÉ, AUDO	●	●	●	●	●	○	●	●	●	●	●	●	○	○	●	●	●	●	●	●	○	○	○		○	○	○	
PRICE CATEGORY 1																												
BARNUM BOUCLÉ, AUDO	●	●	●	●	○	○	●	●	○	○	○	●	○	○	●	●	●	●	●	●	○	○	○		○	○	○	
CHAMPION, JAB	●	●	●	●	○	○	●	●		○	●	○	○	○	●	○	●	●	●	○	○	○	○		○	○	○	
ILLUSION, NEVOTEX	●	○	●	●	○	○	●	●		○	●	○	○	○	●	○	○	○	○	○	○	○	○			○	○	
HOT MADISON, JAB	●	●	●	●	●	○	●	●	●	●		○	○	○	●	○	●	●	●	○	○	○	○		○	○	○	
MAPLE, KVADRAT	●	●	●	●	○	○	●	●		○	●	○	○	○	●	○	●	●	●	○	○							
REMIX, KVADRAT	●	●	●	●	○	○	●	●	●	○	●	○	○	●	●	●	●	●	●	○	○	●	●		●	●	●	
RE-WOOL, KVADRAT	●	○	●	●	○	○	●	●	●	○	○	○	○	○	●	●	●	●	●	○	○	●	●		●	●	●	
PRICE CATEGORY 2																												
CANVAS 2, KVADRAT	●	●	●	●	○	○	●	●	●	○	●	○	○	○	●	●	●	●	●	○	○	○	○		○	○	○	
CLAY, SAHCO, KVADRAT	●	●	○	●	○	○	●	●	○	○	○	○	○	○	●	○	●	●	●	○	○	○	○		○	○	○	
COLLINE, KVADRAT	●	●	○	●	○	○	●	●	●	●	●	○	●	●	●	●	●	●	●	○	●	○	○		○	○	○	
FIORD, KVADRAT	●	●	●	●	○	○	●	●	●	●	●	○	○	●	●	●	●	●	●	○	●	●	●		●	●	●	
HALLINGDAL 65, KVADRAT	●	●	●	●	●	●	●	●	●	●	●	●	●	●	●	●	●	●	●	●	●	●	●	●	●	●	●	
MOSS, SAHCO, KVADRAT	●	●	●	●	○	○	●	●	●	○	●	○	○	○	●	●	●	●	●	●	●	●	○	○	○	○	○	
REFLECT, KVADRAT	●	○	○	●	○	○	●	●		○	○	○	○	○	○	○	○	○	○	○	○	○	○		○	○	○	
SAVANNA, KVADRAT	●	●	●	●	○	○	●	●	●	○	●	○	○	○	●	●	●	●	●	○	○	○	○	○	○	○	○	
STEELCUT, KVADRAT	●	○	●	●	○	○	●	●	●	○	○	○	○	○	●	○	●	●	○	○	○	○	○		○	○	●	
STEELCUT TRIO 3, KVADRAT	●	○	●	●	○	○	●	●	●	○	●	○	○	○	●	○	●	●	●	○	○	○	○		○	○	●	
PRICE CATEGORY 3																												
ARCTIC, JAB	○	●	○	○	○	○	●	●	○	○	○	○	○	○	○	○	○	●	●	○	○	○	○	○	○	○	○	
SAFIRE, SAHCO, KVADRAT	●	●	●	●	○	○	●	●	●	○	●	○	○	●	●	○	●	●	●	○	○	○	○	○	○	●	●	○
VIDAR 4, KVADRAT	●	●	●	●	○	○	●	●	●	○	○	○	○	●	●	○	●	●	●	○	○	○	○	○	○	○	○	
ZERO, SAHCO, KVADRAT	○	●	●	●	●	●	●	●	○	●	○	○	●	●	●	●	○	○	●	●	●	○	○	○	○	○	○	
PRICE CATEGORY 4																												
CABANON SOFT, DESIGNERS GUILD	○	○		○							○	○					●											
DOPPIOPANAMA, DEDAR	●	○	○	●	○	○	●	●	○	○	○	○	○	○	○	○	○	●	●	○	○	○	○		○	○	○	
GRAND MOHAIR, DANISH ART WEAVING	○	○	●	●	●	●		○	●	●	○	○	●	○		○	○	○	●	○	●	○	○		○	○	○	
LUPO, DEDAR	●	○	○	●	○	○	●	●	○	○	○	○	○	○	●	○	●	●	○	○	○	○	○	○	○	○	○	

The Audo upholstery programme shows an overview of our textile and leather standard programme. All textile and leather collections are available in all colours.

Please note that the colour references are only intended as a guide. For further information please see manufacturer websites, or contact your local Audo sales representative.

Selection of textiles or leather outside of our upholstery programme, is subject to final testing and approval. Additional deliverytime may also occur.

SORENSENLEATHER.COM
NEVOTEX.COM



- TESTED AND APPROVED.
- NOT TESTED YET, BUT POSSIBLE TO TEST

Use table to determine the upholstery options available for fabric-covered items.

PRICE CATEGORY 1	AFTERROOM	BRASILIA	CO CHAIR	CONSTANCE CHAIR	HARBOUR CHAIR	HARBOUR LOUNGE CHAIR	INGEBORG	KNITTING CHAIR	MERKUR	MINGLE	MY OWN CHAIR	READY	THE TIRED MAN	VILHELM	THE PENGUIN	ELIZABETH	THE SEAL
DAKAR, NEVOTEX	•	•	•		•	•	◦	◦	•		◦	•	◦	◦	•	•	•
ENVY, SØRENSEN LEATHER	◦	◦	◦				◦	◦	◦		◦	◦	◦	◦	◦	◦	◦
ULTRA, SØRENSEN LEATHER	•	•	•		•	◦	◦	◦	•		◦	•	◦	◦	◦	◦	◦
PRICE CATEGORY 2																	
DUNES, SØRENSEN LEATHER	•	•	•		•	◦	◦	◦	•		◦	•	◦	◦	•	•	•
NUANCE, SØRENSEN LEATHER	•	◦	•		•	•	◦	◦	◦		◦	◦	◦	◦	◦	◦	◦
PRICE CATEGORY 3																	
ROYAL NUBUCK, SØRENSEN LEATHER	•	◦	•		•	•	◦	◦	◦		◦	◦	◦	◦	◦	◦	◦
SHEEPSKIN CURLY, SKANDILOCK				•			•			•	•		•	•			
SHEEPSKIN CURLY, NEVOTEX		•						◦									
PRICE CATEGORY 4																	
ELEGANCE, SØRENSEN LEATHER	•	◦	•		•	◦		◦			◦		◦		•	•	•

