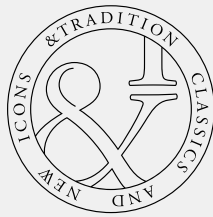
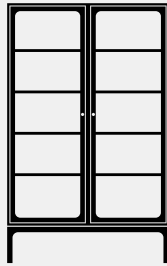


&Tradition The Collection 2023



Price list 2023 – Valid from August 24th
Currency: SEK

Furniture



Rely ^{HW65}
Design Hee Welling | 2023
Category Chair
Variants Black, White, Beige sand, Red Brown, Light Blue, Stone Grey, Vermilion Red, Soft Pink, Bronze Green
Price* from 2.565 SEK p. 65



Rely ^{HW66}
Design Hee Welling | 2023
Category Chair
Variants Black, White, Beige sand, Red Brown, Light Blue, Stone Grey, Vermilion Red, Soft Pink, Bronze Green
Price* from 4.140 SEK p. 66



Rely ^{HW67}
Design Hee Welling | 2023
Category Chair
Variants Black, White, Beige sand, Red Brown, Light Blue, Stone Grey, Vermilion Red, Soft Pink, Bronze Green
Price* from 5.285 SEK p. 67



Rely ^{HW68}
Design Hee Welling | 2023
Category Chair
Variants Black, White, Beige sand, Red Brown, Light Blue, Stone Grey, Vermilion Red, Soft Pink, Bronze Green
Price* from 5.570 SEK p. 68



Rely ^{HW69}
Design Hee Welling | 2023
Category Chair
Variants Black, White, Beige sand, Red Brown, Light Blue, Stone Grey, Vermilion Red, Soft Pink, Bronze Green
Price* from 5.595 SEK p. 69



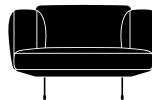
NEW VARIANTS

Rely
Design Hee Welling | 2023
Category Side Chair
New Variants Vermilion Red, Soft Pink, Bronze Green
Price* from 2.595 SEK

NEW VARIANTS

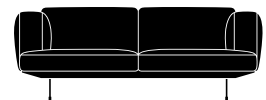


Rely
Design Hee Welling | 2023
Category Chair
New Variants Vermilion Red, Soft Pink, Bronze Green
Price* from 2.895 NOK



Inland ^{AV21}
Design Anderssen & Voll | 2023
Category Lounge chair
Variants Polished aluminium & Warm black base
Price* from 25.735 NOK

NEW VARIANTS



Inland ^{AV22 & AV23}
Design Anderssen & Voll | 2022
Category Sofa
New Variant Polished aluminium base
Price* from 35.745 NOK

p. 163

p. 165



Inland ^{AV32}
Design Anderssen & Voll | 2023
Category Pouf
Variants Polished aluminium & Warm black base
Price* from 14.295 SEK

p. 166



Trace ^{SC87 & SC88}
Design Space Copenhagen | 2023
Category Cabinet
Variants Natural Oak & Dark stained oak
Price* from 28.595 SEK

p. 231

Furniture

NEW VARIANTS



Drip ^{HW58-HW60}

Design Hee Welling | 2021

Category Table

Variants Black & Bronzed base. Linolium, laminate & veneer top

Price* from 12.865 SEK

p. 206

NEW VARIANTS



Drip ^{HW61-HW64}

Design Hee Welling | 2021

Category High table

Variants Black & Bronzed base. Linolium, laminate & veneer top

Price* from 20.015 SEK

p. 209

NEW VARIANTS



Drip ^{HW111-HW114}

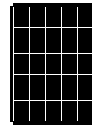
Design Hee Welling | 2021

Category High table

Variants Black & Bronzed base. Linolium, laminate & veneer top

Price* from 18.585 SEK

p. 213



Collect Rug ^{SC84 & SC85}

Design Space Copenhagen | 2023

Category Rug



























































































Variants Stone, Milk, Camel

Price* from 8.575 SEK

p. 253

Index

Chairs and Lounge

Catch p. 14-15	JH1 	JH2 	JH15 	JH13 	JH14 	
Catch p. 16	JH16 	JH17 				
Elefy p. 17-19	JH28 	JH29 	JH30 	JH31 		
Elefy p. 21-24	JH32 	JH33 	JH34 	JH35 		
Elefy p. 25-26	JH36 	JH37 				
In Between p. 27-30	SK1 	SK2 	SK7 	SK8 	SK9 	SK10 
Pavilion p. 31-35	AV1 	AV2 	AV3 	AV4 	AV12 	AV13 
Pavilion p. 36-38	AV5 	AV6 	AV11 			
Pavilion p. 39-42	AV7 	AV8 	AV14 	AV9 	AV10 	AV15 
Rely p. 43-47	HW6 	HW7 	HW8 	HW9 	HW10 	
Rely p. 48-57	HW11 	HW12 	HW13 	HW14 	HW15 	
	HW16 	HW17 	HW18 	HW19 	HW20 	
Rely p. 58-62	HW21 	HW22 	HW23 	HW24 	HW25 	
Rely p. 63-64	HW26 	HW27 				
Rely p. 65-69	HW65  NEW	HW66  NEW	HW67  NEW	HW68  NEW	HW69  NEW	
Rely p. 70-74	HW28 	HW29 	HW30 	HW31 	HW32 	
Rely p. 75-79	HW33 	HW34 	HW35 	HW36 	HW37 	
Rely p. 80-89	HW38 	HW39 	HW40 	HW41 	HW42 	
	HW43 	HW44 	HW45 	HW46 	HW47 	
Rely p. 90-94	HW48 	HW49 	HW50 	HW51 	HW52 	

Index

Rely
p. 95-99



Rely
Outdoor chair
p. 100



Rely
p. 101-105



Rely
p. 106-110



Rely
Counter stool
p. 111-115



Rely
Bar stool
p. 116-120



Rely
Counter chair
p. 121-125



Rely
Bar chair
p. 126-130



Rely
Lounge chair
p. 131-135



Rely
Seat Pad
p. 136-138



Betty
p. 139-140



Betty
p. 141-142



Boomerang
p. 143-146



X
p. 147



Drawn
p. 148



Index

Lounge and Sofas

Little Petra & Pouf
p. 150-152

VB1



VB2



ATD1



Wulff & Pouf
p. 153-155

ATD2



ATD3



Margas
p. 156-158

LC1



LC2



LC3



Loafer
p. 159-162

SC24



SC23



SC25



SC26



Inland
p. 163-166

AV21
NEW



AV22



AV23



AV32
NEW



Mayor
p. 167-168

AJ5



AJ6



Cloud
p. 169-171

LN1



LN2



LN3.2

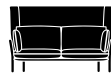


Cloud
p. 172-174

LN5



LN6



LN7



Develius
p. 175-181

EV1-
EV7



EV1J-
EV2K



Isole
p. 182-183

NN1A-
NN1G



Fly
p. 184-189

SC10



SC1



SC2

SC3



SC12



SC9



Index

Tables

Fly p. 190-191	SC4 	SC5 	SC11
In Between p. 192-193	SK13 SK14 SK15 	SK23 SK24 	
In Between p. 194-196	SK3 SK4 	SK5 	SK6
In Between p. 197-202	SK11 SK12 	SK16- SK21 	SK16 SK17 SK21 SK22
Rely p. 203	ATD4 ATD5 		
Patch p. 204-205	HW1 	HW2 	
Drip p. 206-208	HW58 	HW59 	HW60
Drip p. 209-218	HW61 HW62 	HW63 HW64 	HW111 HW112
Pavilion p. 219	AV16 	AV17 	
Pavilion p. 220	AV18 	AV19 	AV24
Lato p. 223	LN8 	LN9 	
Rotate p. 225	SC73 		
Alima p. 226	NDS1 		

Index

Objects

Collect | Cushion
p. 232-236

SC28



SC29



SC48



Collect | Throw & Blanket
p. 237-239

SC32
SC33



SC34



SC81



Collect | Hook & Hanger
p. 243

SC46-
SC47



Collect | Rug
p. 253

SC84
NEW



SC85
NEW



Index

Capture
p. 257-259

SC74



SC75



SC76



SC77



The Moor
p. 260-262

AP5



AP7



AP6



AP8



Cruise
p. 263

AP11



AP12



Framed
p. 264

AP13



AP14



The Eye
p. 265

AP9



Untitled
p. 266

AP10



Amore
p. 267

SC49



SC50

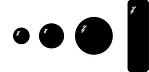


SC56



Sillon
p. 268

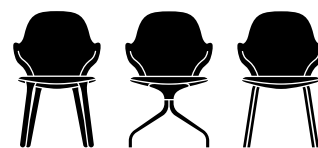
SH4-
SH7



Catch JH1, JH2 & JH15

Jaime Hayon

2013 & 2017



Item no.	Upholstery	Model	Base	Lead time	Weight	PRICE EX. VAT (SEK)	PRICE INC. VAT (SEK)
Fabric gr. 1	Canvas, Linara, Remix, Re-Wool	JH1	Solid Oak	6-8 weeks	8.50 kg	7.088	8.860
		JH2	Swivel	6-8 weeks	9.50 kg	8.344	10.430
		JH15	Tube	6-8 weeks	8.50 kg	7.088	8.860
Fabric gr. 2	Clay, Divina Melange, Duke, Fiord, Hallingdal, Loop, Ritz, Ruskin, Steelcut, Steelcut Trio, Zero	JH1	Solid Oak	6-8 weeks	8.50 kg	7.660	9.575
		JH2	Swivel	6-8 weeks	9.50 kg	8.916	11.145
		JH15	Tube	6-8 weeks	8.50 kg	7.660	9.575
Fabric gr. 3	Balder, Moss, Nimbus, Sisu, Skai Parotega Artificial leather*, Sunniva, Svevo, Vidar	JH1	Solid Oak	6-8 weeks	8.50 kg	8.804	11.005
		JH2	Swivel	6-8 weeks	9.50 kg	10.060	12.575
		JH15	Tube	6-8 weeks	8.50 kg	8.804	11.005
Fabric gr. 4	Atlas, Gentle, Karakorum, Serafino	JH1	Solid Oak	6-8 weeks	8.50 kg	10.292	12.865
		JH2	Swivel	6-8 weeks	9.50 kg	11.548	14.435
		JH15	Tube	6-8 weeks	8.50 kg	10.292	12.865
Leather	Tailor Semi-aniline leather	JH1	Solid Oak	6-8 weeks	8.50 kg	11.092	13.865
		JH2	Swivel	6-8 weeks	9.50 kg	12.348	15.435
		JH15	Tube	6-8 weeks	8.50 kg	11.092	13.865
Leather	Noble Aniline leather	JH1	Solid Oak	6-8 weeks	8.50 kg	13.152	16.440
		JH2	Swivel	6-8 weeks	9.50 kg	14.408	18.010
		JH15	Tube	6-8 weeks	8.50 kg	13.152	16.440
Leather	Elmosoft Semi-aniline leather	JH1	Solid Oak	6-8 weeks	8.50 kg	14.868	18.585
		JH2	Swivel	6-8 weeks	9.50 kg	16.124	20.155
		JH15	Tube	6-8 weeks	8.50 kg	14.868	18.585
Fabric COM	COM Fabric	JH1	Solid Oak	6-8 weeks	8.50 kg	7.088	8.860
		JH2	Swivel	6-8 weeks	9.50 kg	8.344	10.430
		JH15	Tube	6-8 weeks	8.50 kg	7.088	8.860

JH1: Felt gliders installed as standard.

JH2: Plastic gliders installed as standard.

JH15: Plastic gliders installed as standard. Felt gliders available upon request.

*Skai Parotega Artificial leather:

This product contains 0,1-0,2% C,C'-azodi (formamide), CAS no. 123-77-3.

Base Finish

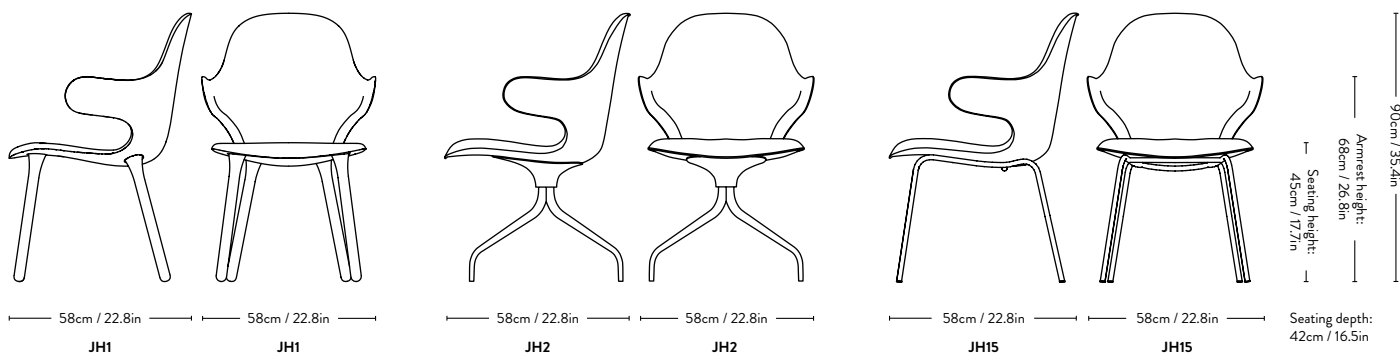
Solid Oak	Oiled Oak, Smoked Oiled Oak, Black Lacquered Oak
Swivel	Powder Coated Black, Polished Aluminium
Tube	Powder Coated Black

Material: Molded PU foam and HR foam.

Fabric usage: 1.8 meters based on 140cm roll.

Leather usage: 5 square meters based on a yield of 60% pr hide.

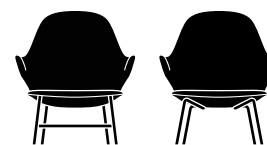
COM must be approved by &Tradition to ensure suitability for upholstery.



Catch JH13 & JH14

Jaime Hayon

2017



Item no.	Upholstery	Model	Base	Lead time	Weight	PRICE EX. VAT (SEK)	PRICE INC. VAT (SEK)
Fabric gr. 1	Canvas, Linara, Remix, Re-Wool	JH13	Flat Tube	6-8 weeks	14.00 kg	14.296	17.870
		JH14	Round Tube	6-8 weeks	14.00 kg	13.152	16.440
Fabric gr. 2	Clay, Divina Melange, Duke, Fiord, Hallingdal, Loop, Ruskin, Steelcut, Steelcut Trio, Zero	JH13	Flat Tube	6-8 weeks	14.00 kg	15.440	19.300
		JH14	Round Tube	6-8 weeks	14.00 kg	14.296	17.870
Fabric gr. 3	Balder, Moss, Nimbus, Sisu, Sunniva, Svevo, Vidar	JH13	Flat Tube	6-8 weeks	14.00 kg	17.728	22.160
		JH14	Round Tube	6-8 weeks	14.00 kg	16.584	20.730
Fabric gr. 4	Atlas, Gentle, Karakorum, Serafino	JH13	Flat Tube	6-8 weeks	14.00 kg	23.448	29.310
		JH14	Round Tube	6-8 weeks	14.00 kg	22.304	27.880
Leather	Tailor Semi-aniline leather	JH13	Flat Tube	6-8 weeks	14.00 kg	18.872	23.590
		JH14	Round Tube	6-8 weeks	14.00 kg	17.728	22.160
Leather	Noble Aniline leather	JH13	Flat Tube	6-8 weeks	14.00 kg	22.304	27.880
		JH14	Round Tube	6-8 weeks	14.00 kg	21.160	26.450
Leather	Elmosoft Semi-aniline leather	JH13	Flat Tube	6-8 weeks	14.00 kg	26.592	33.240
		JH14	Round Tube	6-8 weeks	14.00 kg	25.164	31.455
Fabric COM	COM Fabric	JH13	Flat Tube	6-8 weeks	14.00 kg	14.296	17.870
		JH14	Round Tube	6-8 weeks	14.00 kg	13.152	16.440

Base Finish

Flat Tube	Warm Black Powder Coated (RAL 8022)
Round Tube	Warm Black Powder Coated (RAL 8022)

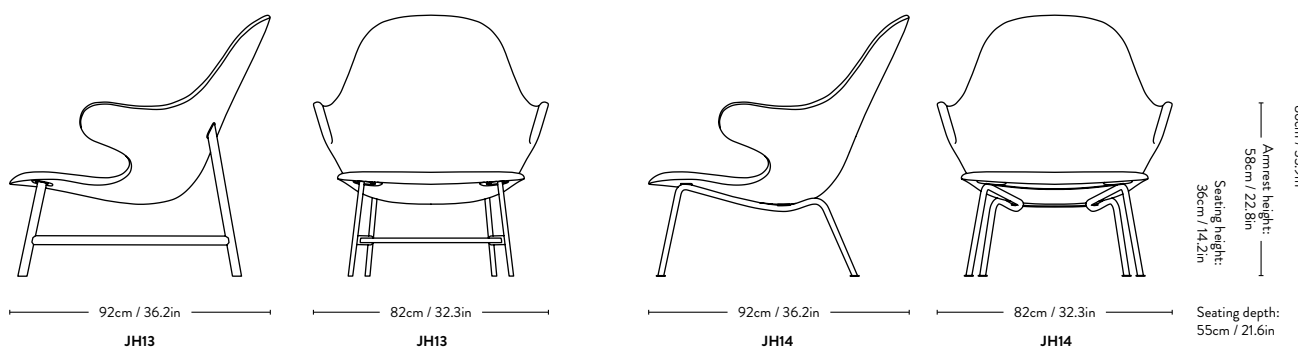
Material: Molded PU foam and HR foam.

Fabric usage: 3 meters based on 140cm roll.

Leather usage: 6 square meters based on a yield of 60% pr hide.

COM must be approved by &Tradition to ensure suitability for upholstery.

Felt gliders installed as standard.



Catch JH16 & JH17

Jaime Hayon

2017



Item no.	Upholstery	Model	Base	Lead time	Weight	PRICE EX. VAT (SEK)	PRICE INC. VAT (SEK)
Fabric gr. 1	Canvas, Linara, Remix, Re-Wool	JH16	Tube	6-8 weeks	11.20 kg	8.460	10.575
		JH17	Tube	6-8 weeks	11.50 kg	8.460	10.575
Fabric gr. 2	Clay, Divina Melange, Duke, Fiord, Hallingdal, Loop, Ritz, Ruskin, Steelcut, Steelcut Trio, Zero	JH16	Tube	6-8 weeks	11.20 kg	9.032	11.290
		JH17	Tube	6-8 weeks	11.50 kg	9.032	11.290
Fabric gr. 3	Balder, Moss, Nimbus, Sisu, Skai Parotega Artificial leather*, Sunniva, Svevo, Vidar	JH16	Tube	6-8 weeks	11.20 kg	10.176	12.720
		JH17	Tube	6-8 weeks	11.50 kg	10.176	12.720
Fabric gr. 4	Atlas, Gentle, Karakorum, Serafino	JH16	Tube	6-8 weeks	11.20 kg	11.664	14.580
		JH17	Tube	6-8 weeks	11.50 kg	11.664	14.580
Leather	Tailor Semi-aniline leather	JH16	Tube	6-8 weeks	11.20 kg	12.464	15.580
		JH17	Tube	6-8 weeks	11.50 kg	12.464	15.580
Leather	Noble Aniline leather	JH16	Tube	6-8 weeks	11.20 kg	14.524	18.155
		JH17	Tube	6-8 weeks	11.50 kg	14.524	18.155
Leather	Elmosoft Semi-aniline leather	JH16	Tube	6-8 weeks	11.20 kg	16.240	20.300
		JH17	Tube	6-8 weeks	11.50 kg	16.240	20.300
Fabric COM	COM Fabric	JH16	Tube	6-8 weeks	11.20 kg	8.460	10.575
		JH17	Tube	6-8 weeks	11.50 kg	8.460	10.575

Base	Finish
Tube	Powder Coated Black

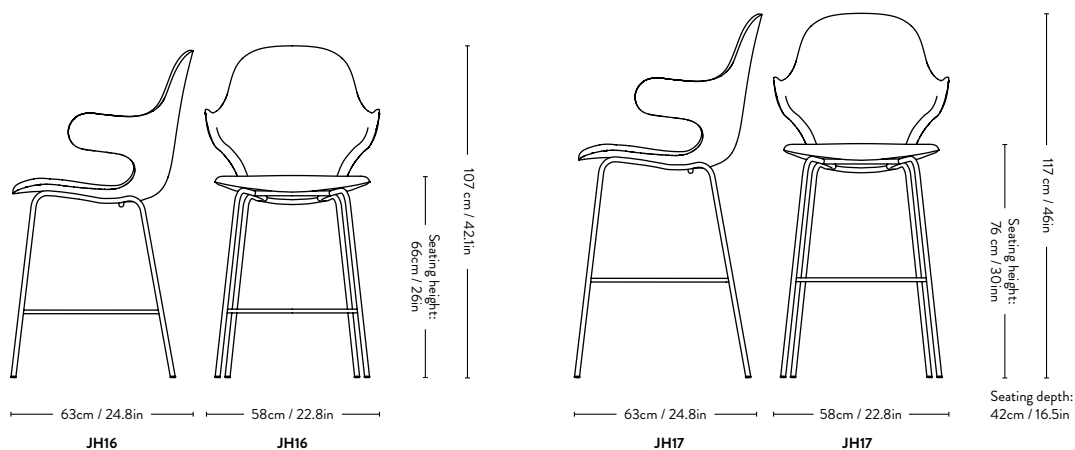
Material: Molded PU foam and HR foam.

Fabric usage: 1.8 meters based on 140cm roll.

Leather usage: 5 square meters based on a yield of 60% pr hide.

COM must be approved by &Tradition to ensure suitability for upholstery.

Plastic gliders installed as standard.



Elefy ^{JH28} 
 Jaime Hayon
 2019



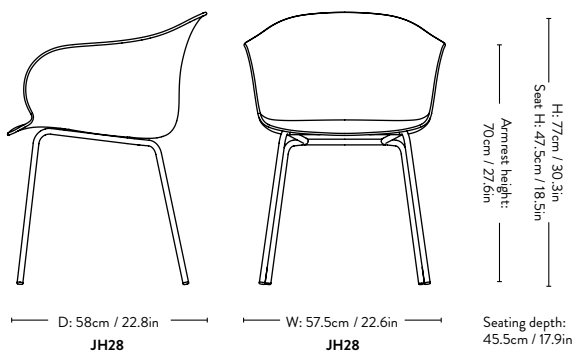
Item code	Product	Model	Base	Lead time	Weight	PRICE EX. VAT (SEK)	PRICE INC. VAT (SEK)
JH	Black	JH28	Black	2-3 weeks	7.80 kg	2.284	2.855
JH	White	JH28	Black	2-3 weeks	7.80 kg	2.284	2.855
JH	Soft Beige	JH28	Black	2-3 weeks	7.80 kg	2.284	2.855
JH	Midnight Blue	JH28	Black	2-3 weeks	7.80 kg	2.284	2.855
JH	Copper Brown	JH28	Black	2-3 weeks	7.80 kg	2.284	2.855

Base **Finish**

Steel Tube Black

Material: Polypropylene, steel tube.

Plastic gliders installed as standard.
 Felt gliders available upon request.



Elefy JH29

Jaime Hayon

2019



Item code	Upholstery	Model	Base	Lead time	Weight	PRICE EX. VAT (SEK)	PRICE INC. VAT (SEK)
Fabric gr. 1	Canvas, Linara, Maple, Remix, Re-Wool	JH29	Black	3-6 weeks	7.80 kg	4.800	6.000
Fabric gr. 2	Clay, Divina Melange, Duke, Fiord, Hallingdal, Loop, Ritz, Ruskin, Steelcut, Steelcut Trio, Zero	JH29	Black	3-6 weeks	7.80 kg	5.484	6.855
Fabric gr. 3	Balder, Moss, Skai Parotega Artificial leather*, Nimbus, Sisu, Sunniva, Svevo, Vidar	JH29	Black	3-6 weeks	7.80 kg	6.400	8.000
Fabric gr. 4	Atlas, Gentle, Karakorum, Serafino	JH29	Black	3-6 weeks	7.80 kg	8.576	10.720
Leather	Tailor Semi-aniline leather	JH29	Black	3-6 weeks	7.80 kg	8.004	10.005
Leather	Noble Aniline leather	JH29	Black	3-6 weeks	7.80 kg	8.460	10.575
Leather	Elmosoft Semi-aniline leather	JH29	Black	3-6 weeks	7.80 kg	8.916	11.145
Fabric COM	COM Fabric	JH29	Black	3-6 weeks	7.80 kg	4.800	6.000

*Skai Parotega Artificial leather:
This product contains 0,1-0,2% C,C'-azodi (formamide), CAS no. 123-77-3.

Base **Finish**

Steel Tube Black

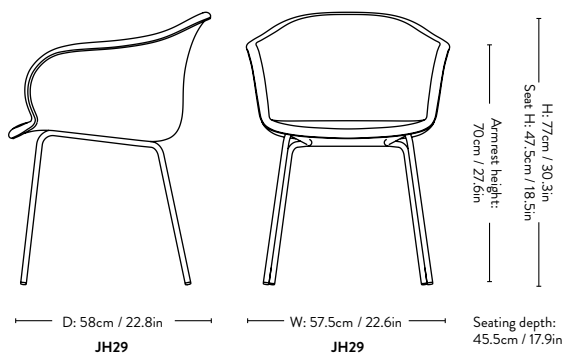
Material: Polypropylene, HR foam, steel tube, fabric or leather upholstery.

Fabric usage: 1.7 meters based on 140cm roll.

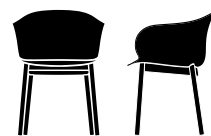
Leather usage: 3 square meters based on a yield of 60% pr hide.

COM must be approved by &Tradition to ensure suitability for upholstery.

Plastic gliders installed as standard.
Felt gliders available upon request.



Elefy JH30
Jaime Hayon
2019

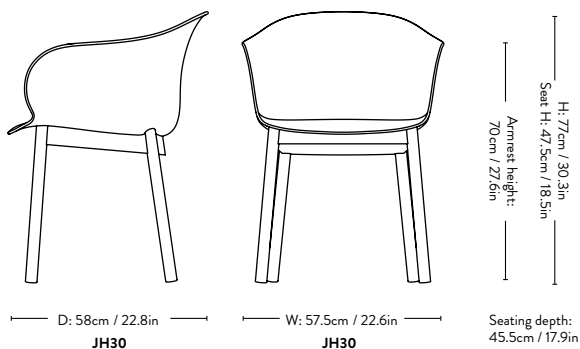


Item code	Product	Model	Base	Lead time	Weight	PRICE EX. VAT (SEK)	PRICE INC. VAT (SEK)
JH	Black	JH30	Oak	2-3 weeks	8.80 kg	3.196	3.995
		JH30	Black	2-3 weeks	8.80 kg	3.196	3.995
		JH30	Walnut	2-3 weeks	8.80 kg	3.540	4.425
JH	White	JH30	Oak	2-3 weeks	8.80 kg	3.196	3.995
		JH30	Black	2-3 weeks	8.80 kg	3.196	3.995
		JH30	Walnut	2-3 weeks	8.80 kg	3.540	4.425
JH	Soft Beige	JH30	Oak	2-3 weeks	8.80 kg	3.196	3.995
		JH30	Black	2-3 weeks	8.80 kg	3.196	3.995
		JH30	Walnut	2-3 weeks	8.80 kg	3.540	4.425
JH	Midnight Blue	JH30	Oak	2-3 weeks	8.80 kg	3.196	3.995
		JH30	Black	2-3 weeks	8.80 kg	3.196	3.995
		JH30	Walnut	2-3 weeks	8.80 kg	3.540	4.425
JH	Copper Brown	JH30	Oak	2-3 weeks	8.80 kg	3.196	3.995
		JH30	Black	2-3 weeks	8.80 kg	3.196	3.995
		JH30	Walnut	2-3 weeks	8.80 kg	3.540	4.425

Base	Finish
Solid Oak	Clear or Black Lacquered Oak
Solid Walnut	Lacquered Walnut

Material: Polypropylene, solid wood.

Felt gliders installed as standard.



Elefy JH31

Jaime Hayon

2019



Item code	Upholstery	Model	Base	Lead time	Weight	PRICE EX. VAT (SEK)	PRICE INC. VAT (SEK)
Fabric gr. 1	Canvas, Linara, Maple, Remix, Re-Wool	JH31	Lacquered Oak	3-6 weeks	8.80 kg	5.716	7.145
		JH31	Black Lacquered Oak	3-6 weeks	8.80 kg	5.716	7.145
		JH31	Walnut	3-6 weeks	8.80 kg	6.056	7.570
Fabric gr. 2	Clay, Divina Melange, Duke, Fiord, Hallingdal, Loop, Ritz, Ruskin, Steelcut, Steelcut Trio, Zero	JH31	Lacquered Oak	3-6 weeks	8.80 kg	6.400	8.000
		JH31	Black Lacquered Oak	3-6 weeks	8.80 kg	6.400	8.000
		JH31	Walnut	3-6 weeks	8.80 kg	6.744	8.430
Fabric gr. 3	Balder, Moss, Skai Parotega Artificial leather*, Nimbus, Sisu, Sunniva, Svevo, Vidar	JH31	Lacquered Oak	3-6 weeks	8.80 kg	7.316	9.145
		JH31	Black Lacquered Oak	3-6 weeks	8.80 kg	7.316	9.145
		JH31	Walnut	3-6 weeks	8.80 kg	7.660	9.575
Fabric gr. 4	Atlas, Gentle, Karakorum, Serafino	JH31	Lacquered Oak	3-6 weeks	8.80 kg	9.488	11.860
		JH31	Black Lacquered Oak	3-6 weeks	8.80 kg	9.488	11.860
		JH31	Walnut	3-6 weeks	8.80 kg	9.832	12.290
Leather	Tailor Semi-aniline leather	JH31	Lacquered Oak	3-6 weeks	8.80 kg	8.916	11.145
		JH31	Black Lacquered Oak	3-6 weeks	8.80 kg	8.916	11.145
		JH31	Walnut	3-6 weeks	8.80 kg	9.260	11.575
Leather	Noble Aniline leather	JH31	Lacquered Oak	3-6 weeks	8.80 kg	9.376	11.720
		JH31	Black Lacquered Oak	3-6 weeks	8.80 kg	9.376	11.720
		JH31	Walnut	3-6 weeks	8.80 kg	9.720	12.150
Leather	Elmosoft Semi-aniline leather	JH31	Lacquered Oak	3-6 weeks	8.80 kg	9.832	12.290
		JH31	Black Lacquered Oak	3-6 weeks	8.80 kg	9.832	12.290
		JH31	Walnut	3-6 weeks	8.80 kg	10.176	12.720
Fabric COM	COM Fabric	JH31	Lacquered Oak	3-6 weeks	8.80 kg	5.716	7.145
		JH31	Black Lacquered Oak	3-6 weeks	8.80 kg	5.716	7.145
		JH31	Walnut	3-6 weeks	8.80 kg	6.056	7.570

*Skai Parotega Artificial leather:
This product contains 0,1-0,2% C,C'-azodi (formamide), CAS no. 123-77-3.

Base	Finish
Solid Oak	Clear or Black Lacquered Oak
Solid Walnut	Lacquered Walnut

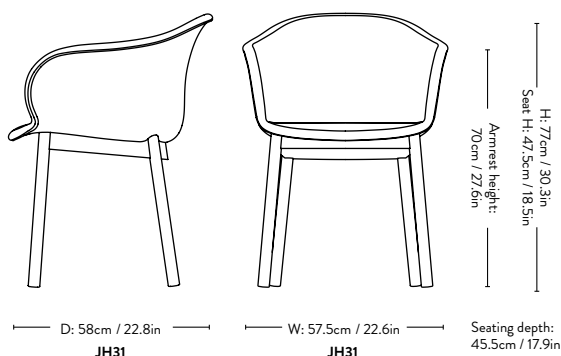
Material: Polypropylene, HR foam, solid wood, fabric or leather upholstery.

Fabric usage: 1.7 meters based on 140cm roll.

Leather usage: 3 square meters based on a yield of 60% pr hide.

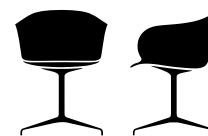
COM must be approved by &Tradition to ensure suitability for upholstery.

Felt gliders installed as standard.



Elefy ^{JH32}

Jaime Hayon 2020

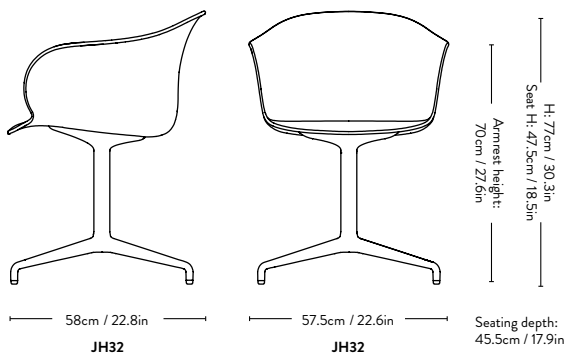


Item code	Product	Model	Base	Lead time	Weight	PRICE EX. VAT (SEK)	PRICE INC. VAT (SEK)
JH	Black	JH32	Black	2-3 weeks	9.00 kg	3.428	4.285
		JH32	Polished Aluminium	2-3 weeks	9.00 kg	3.428	4.285
JH	White	JH32	Black	2-3 weeks	9.00 kg	3.428	4.285
		JH32	Polished Aluminium	2-3 weeks	9.00 kg	3.428	4.285
JH	Soft Beige	JH32	Black	2-3 weeks	9.00 kg	3.428	4.285
		JH32	Polished Aluminium	2-3 weeks	9.00 kg	3.428	4.285
JH	Midnight Blue	JH32	Black	2-3 weeks	9.00 kg	3.428	4.285
		JH32	Polished Aluminium	2-3 weeks	9.00 kg	3.428	4.285
JH	Copper Brown	JH32	Black	2-3 weeks	9.00 kg	3.428	4.285
		JH32	Polished Aluminium	2-3 weeks	9.00 kg	3.428	4.285

Base	Finish
Swivel	Black, Polished Aluminium

Material: Polypropylene and aluminium.

Plastic gliders installed as standard.
Felt gliders are available upon request.



Elefy ^{JH33}

Jaime Hayon 2020



Item code	Upholstery	Model	Base	Lead time	Weight	PRICE EX. VAT (SEK)	PRICE INC. VAT (SEK)
Fabric gr. 1	Canvas, Linara, Maple, Remix, Re-Wool	JH33	Black	3-6 weeks	10.70 kg	5.944	7.430
		JH33	Polished Aluminium	3-6 weeks	10.70 kg	5.944	7.430
Fabric gr. 2	Clay, Divina Melange, Duke, Fiord, Hallingdal, Loop, Ritz, Ruskin, Steelcut, Steelcut Trio, Zero	JH33	Black	3-6 weeks	10.70 kg	6.628	8.285
		JH33	Polished Aluminium	3-6 weeks	10.70 kg	6.628	8.285
Fabric gr. 3	Balder, Moss, Skai Parotega Artificial leather*, Nimbus, Sisu, Sunniva, Svevo, Vidar	JH33	Black	3-6 weeks	10.70 kg	7.544	9.430
		JH33	Polished Aluminium	3-6 weeks	10.70 kg	7.544	9.430
Fabric gr. 4	Atlas, Gentle, Karakorum, Serafino	JH33	Black	3-6 weeks	10.70 kg	9.720	12.150
		JH33	Polished Aluminium	3-6 weeks	10.70 kg	9.720	12.150
Leather	Tailor Semi-aniline leather	JH33	Black	3-6 weeks	10.70 kg	9.148	11.435
		JH33	Polished Aluminium	3-6 weeks	10.70 kg	9.148	11.435
Leather	Noble Aniline leather	JH33	Black	3-6 weeks	10.70 kg	9.604	12.005
		JH33	Polished Aluminium	3-6 weeks	10.70 kg	9.604	12.005
Leather	Elmosoft Semi-aniline leather	JH33	Black	3-6 weeks	10.70 kg	10.060	12.575
		JH33	Polished Aluminium	3-6 weeks	10.70 kg	10.060	12.575
Fabric COM	COM Fabric	JH33	Black	3-6 weeks	10.70 kg	5.944	7.430
		JH33	Polished Aluminium	3-6 weeks	10.70 kg	5.944	7.430

*Skai Parotega Artificial leather:

This product contains 0,1-0,2 % C,C'-azodi (formamide), CAS no. 123-77-3.

Base Finish

Swivel Black, Polished Aluminium

Material: Polypropylene, HR foam, aluminium swivel base, fabric or leather upholstery.

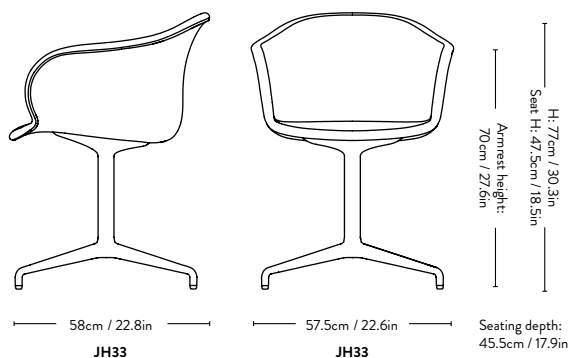
Fabric usage: 1.7 meters based on 140cm roll.

Leather usage: 3 square meters based on a yield of 60% pr hide.

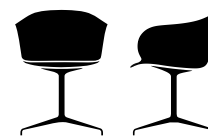
COM must be approved by &Tradition to ensure suitability for upholstery.

Plastic gliders installed as standard.

Felt gliders available upon request.



Elefy ^{JH34} 
 Jaime Hayon
 2020

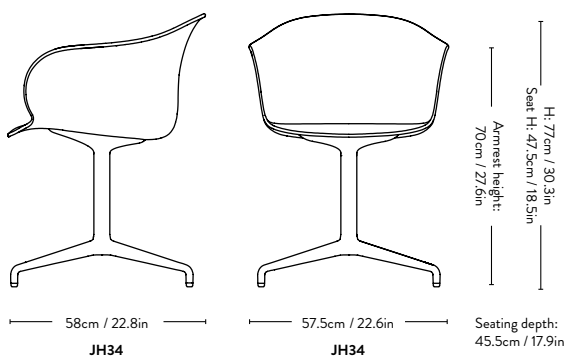


Item code	Product	Model	Base	Lead time	Weight	PRICE EX. VAT (SEK)	PRICE INC. VAT (SEK)
JH	Black	JH34	Black	2-3 weeks	9.00 kg	3.884	4.855
		JH34	Polished Aluminium	2-3 weeks	9.00 kg	3.884	4.855
JH	White	JH34	Black	2-3 weeks	9.00 kg	3.884	4.855
		JH34	Polished Aluminium	2-3 weeks	9.00 kg	3.884	4.855
JH	Soft Beige	JH34	Black	2-3 weeks	9.00 kg	3.884	4.855
		JH34	Polished Aluminium	2-3 weeks	9.00 kg	3.884	4.855
JH	Midnight Blue	JH34	Black	2-3 weeks	9.00 kg	3.884	4.855
		JH34	Polished Aluminium	2-3 weeks	9.00 kg	3.884	4.855
JH	Copper Brown	JH34	Black	2-3 weeks	9.00 kg	3.884	4.855
		JH34	Polished Aluminium	2-3 weeks	9.00 kg	3.884	4.855

Base	Finish
Swivel	Black, Polished Aluminium

Material: Polypropylene and aluminium swivel base with return function.

Plastic gliders installed as standard.
 Felt gliders are available upon request.



Elefy JH35



Jaime Hayon 2020



Item code	Upholstery	Model	Base	Lead time	Weight	PRICE EX. VAT (SEK)	PRICE INC. VAT (SEK)
Fabric gr. 1	Canvas, Linara, Maple, Remix, Re-Wool	JH35	Black	3-6 weeks	10.70 kg	6.400	8.000
		JH35	Polished Aluminium	3-6 weeks	10.70 kg	6.400	8.000
Fabric gr. 2	Clay, Divina Melange, Duke, Fiord, Hallingdal, Loop, Ritz, Ruskin, Steelcut, Steelcut Trio, Zero	JH35	Black	3-6 weeks	10.70 kg	7.088	8.860
		JH35	Polished Aluminium	3-6 weeks	10.70 kg	7.088	8.860
Fabric gr. 3	Balder, Moss, Skai Parotega Artificial leather*, Nimbus, Sisu, Sunniva, Svevo, Vidar	JH35	Black	3-6 weeks	10.70 kg	8.004	10.005
		JH35	Polished Aluminium	3-6 weeks	10.70 kg	8.004	10.005
Fabric gr. 4	Atlas, Gentle, Karakorum, Serafino	JH35	Black	3-6 weeks	10.70 kg	10.176	12.720
		JH35	Polished Aluminium	3-6 weeks	10.70 kg	10.176	12.720
Leather	Tailor Semi-aniline leather	JH35	Black	3-6 weeks	10.70 kg	9.604	12.005
		JH35	Polished Aluminium	3-6 weeks	10.70 kg	9.604	12.005
Leather	Noble Aniline leather	JH35	Black	3-6 weeks	10.70 kg	10.060	12.575
		JH35	Polished Aluminium	3-6 weeks	10.70 kg	10.060	12.575
Leather	Elmosoft Semi-aniline leather	JH35	Black	3-6 weeks	10.70 kg	10.520	13.150
		JH35	Polished Aluminium	3-6 weeks	10.70 kg	10.520	13.150
Fabric COM	COM Fabric	JH35	Black	3-6 weeks	10.70 kg	6.400	8.000
		JH35	Polished Aluminium	3-6 weeks	10.70 kg	6.400	8.000

*Skai Parotega Artificial leather:

This product contains 0,1-0,2 % C,C'-azodi (formamide), CAS no. 123-77-3.

Base Finish

Swivel Black, Polished Aluminium

Material: Polypropylene, HR foam, aluminium swivel base, fabric or leather upholstery.

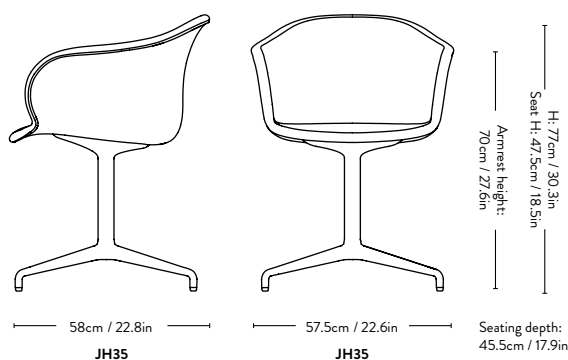
Fabric usage: 1.7 meters based on 140cm roll.

Leather usage: 3 square meters based on a yield of 60% pr hide.

COM must be approved by &Tradition to ensure suitability for upholstery.

Plastic gliders installed as standard.

Felt gliders available upon request.



Elefy ^{JH36}

Jaime Hayon 2020

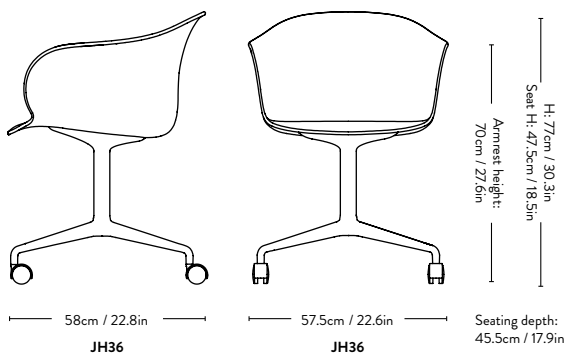


Item code	Product	Model	Base	Lead time	Weight	PRICE EX. VAT (SEK)	PRICE INC. VAT (SEK)
JH	Black	JH36	Black	2-3 weeks	9.50 kg	3.884	4.855
		JH36	Polished Aluminium	2-3 weeks	9.50 kg	3.884	4.855
JH	White	JH36	Black	2-3 weeks	9.50 kg	3.884	4.855
		JH36	Polished Aluminium	2-3 weeks	9.50 kg	3.884	4.855
JH	Soft Beige	JH36	Black	2-3 weeks	9.50 kg	3.884	4.855
		JH36	Polished Aluminium	2-3 weeks	9.50 kg	3.884	4.855
JH	Midnight Blue	JH36	Black	2-3 weeks	9.50 kg	3.884	4.855
		JH36	Polished Aluminium	2-3 weeks	9.50 kg	3.884	4.855
JH	Copper Brown	JH36	Black	2-3 weeks	9.50 kg	3.884	4.855
		JH36	Polished Aluminium	2-3 weeks	9.50 kg	3.884	4.855

Base	Finish
Swivel	Black, Polished Aluminium

Material: Polypropylene and aluminium base with castors.

Castors in matching colour are installed as standard.



Elefy ^{JH37}

Jaime Hayon 2020



Item code	Upholstery	Model	Base	Lead time	Weight	PRICE EX. VAT (SEK)	PRICE INC. VAT (SEK)
Fabric gr. 1	Canvas, Linara, Maple, Remix, Re-Wool	JH37	Black	3-6 weeks	11.50 kg	6.400	8.000
		JH37	Polished Aluminium	3-6 weeks	11.50 kg	6.400	8.000
Fabric gr. 2	Clay, Divina Melange, Duke, Fiord, Hallingdal, Loop, Ritz, Ruskin, Steelcut, Steelcut Trio, Zero	JH37	Black	3-6 weeks	11.50 kg	7.088	8.860
		JH37	Polished Aluminium	3-6 weeks	11.50 kg	7.088	8.860
Fabric gr. 3	Balder, Moss, Skai Parotega Artificial leather*, Nimbus, Sisu, Sunniva, Svevo, Vidar	JH37	Black	3-6 weeks	11.50 kg	8.004	10.005
		JH37	Polished Aluminium	3-6 weeks	11.50 kg	8.004	10.005
Fabric gr. 4	Atlas, Gentle, Karakorum, Serafino	JH37	Black	3-6 weeks	11.50 kg	10.176	12.720
		JH37	Polished Aluminium	3-6 weeks	11.50 kg	10.176	12.720
Leather	Tailor Semi-aniline leather	JH37	Black	3-6 weeks	11.50 kg	9.604	12.005
		JH37	Polished Aluminium	3-6 weeks	11.50 kg	9.604	12.005
Leather	Noble Aniline leather	JH37	Black	3-6 weeks	11.50 kg	10.060	12.575
		JH37	Polished Aluminium	3-6 weeks	11.50 kg	10.060	12.575
Leather	Elmosoft Semi-aniline leather	JH37	Black	3-6 weeks	11.50 kg	10.520	13.150
		JH37	Polished Aluminium	3-6 weeks	11.50 kg	10.520	13.150
Fabric COM	COM Fabric	JH37	Black	3-6 weeks	11.50 kg	6.400	8.000
		JH37	Polished Aluminium	3-6 weeks	11.50 kg	6.400	8.000

*Skai Parotega Artificial leather:

This product contains 0,1-0,2 % C,C'-azodi (formamide), CAS no. 123-77-3.

Base Finish

Swivel Black, Polished Aluminium

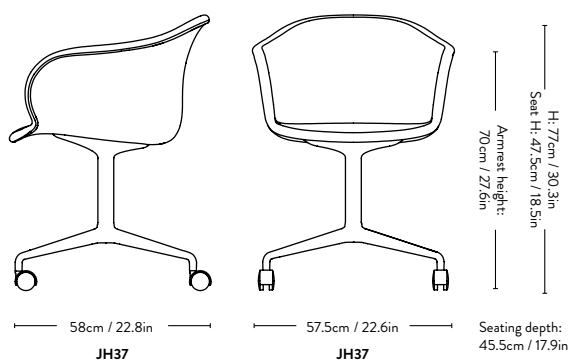
Material: Polypropylene, HR foam, aluminium base with castors, fabric or leather upholstery.

Fabric usage: 1.7 meters based on 140cm roll.

Leather usage: 3 square meters based on a yield of 60% pr hide.

COM must be approved by &Tradition to ensure suitability for upholstery.

Castors in matching colour are installed as standard.



In Between ^{SK1} Sami Kallio 2013



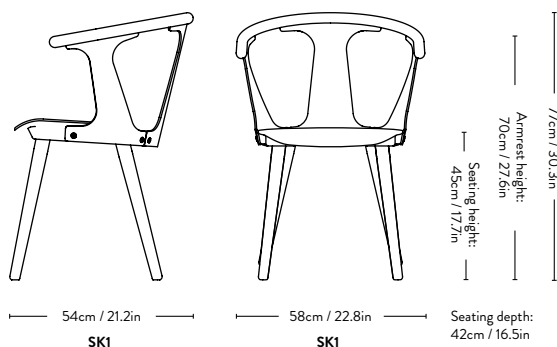
Item code	Product	Model	Colli qty.	Lead time	Weight	PRICE EX. VAT (SEK)	PRICE INC. VAT (SEK)
82010100	Smoked Oiled Oak	SK1	2 pcs	Stock item	7.00 kg	3.768	4.710
82010192	Oiled Oak	SK1	2 pcs	Stock item	7.00 kg	3.768	4.710
82010194	Black Lacquered Oak	SK1	2 pcs	Stock item	7.00 kg	3.768	4.710
82010196	Oiled Walnut	SK1	2 pcs	Stock item	7.00 kg	5.144	6.430

Frame **Finish**

Oak Oiled Oak, Smoked Oiled Oak, Black Lacquered Oak
Walnut Oiled Walnut

Material: Solid wood and formpressed veneer.

Felt gliders installed as standard.



In Between ^{SK2} Sami Kallio 2013



Item code	Product	Model	Colli qty.	Lead time	Weight	PRICE EX. VAT (SEK)	PRICE INC. VAT (SEK)
82010310	Oiled Oak w. Fiord 251	SK2	2 pcs	Stock item	7.00 kg	4.572	5.715
82010312	Black Lacquered Oak w. Fiord 191	SK2	2 pcs	Stock item	7.00 kg	4.572	5.715
82010311	Smoked Oiled Oak w. Fiord 171	SK2	2 pcs	Stock item	7.00 kg	4.572	5.715
82010320	Oiled Oak w. Noble Aniline leather Cognac	SK2	2 pcs	Stock item	7.00 kg	5.600	7.000
82010325	Black Lacquered Oak w. Noble Aniline leather Black	SK2	2 pcs	Stock item	7.00 kg	5.600	7.000
82010330	Smoked Oiled Oak w. Noble Aniline leather Black	SK2	2 pcs	Stock item	7.00 kg	5.600	7.000

Item code	Product	Model	Base	Lead time	Weight	PRICE EX. VAT (SEK)	PRICE INC. VAT (SEK)
Fabric gr. 1	Canvas, Linara, Maple, Remix, Re-Wool	SK2	Oak	6-8 weeks	7.00 kg	4.572	5.715
			Walnut	6-8 weeks	7.00 kg	6.056	7.570
Fabric gr. 2	Clay, Divina Melange, Duke, Fiord, Hallingdal, Loop, Ritz, Ruskin, Steelcut, Steelcut Trio, Zero	SK2	Oak	6-8 weeks	7.00 kg	5.144	6.430
			Walnut	6-8 weeks	7.00 kg	6.628	8.285
Fabric gr. 3	Balder, Harald, Skai Parotega Artificial leather*, Moss, Nimbus, Sisu, Sunniva, Svevo, Vidar	SK2	Oak	6-8 weeks	7.00 kg	5.484	6.855
			Walnut	6-8 weeks	7.00 kg	6.972	8.715
Fabric gr. 4	Atlas, Gentle, Karakorum, Serafino	SK2	Oak	6-8 weeks	7.00 kg	5.716	7.145
			Walnut	6-8 weeks	7.00 kg	7.200	9.000
Leather	Tailor Semi-aniline leather	SK2	Oak	6-8 weeks	7.00 kg	5.484	6.855
			Walnut	6-8 weeks	7.00 kg	6.972	8.715
Leather	Noble Aniline leather	SK2	Oak	6-8 weeks	7.00 kg	5.716	7.145
			Walnut	6-8 weeks	7.00 kg	7.200	9.000
Leather	Elmosoft Semi-aniline leather	SK2	Oak	6-8 weeks	7.00 kg	6.056	7.570
			Walnut	6-8 weeks	7.00 kg	7.544	9.430
Fabric COM	COM Fabric	SK2	Oak	6-8 weeks	7.00 kg	4.572	5.715
			Walnut	6-8 weeks	7.00 kg	6.056	7.570

*Skai Parotega Artificial leather:

This product contains 0,1-0,2 % C,C'-azodi (formamide), CAS no. 123-77-3.

Frame	Finish
Oak	Oiled Oak, Smoked Oiled Oak, Black Lacquered Oak
Walnut	Oiled Walnut

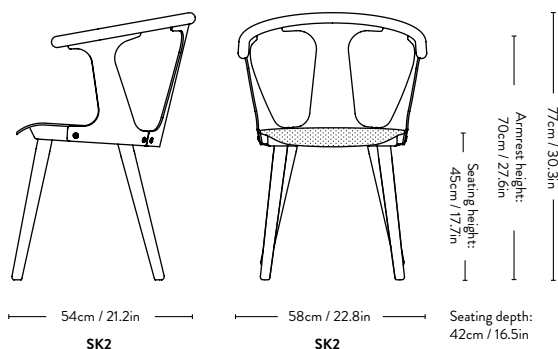
Material: Solid wood, formpressed veneer and HR foam.

Fabric usage: 0.36 meter based on a 140 cm roll.

Leather usage: 0.36 square meters based on a yield of 60% pr hide.

COM must be approved by &Tradition to ensure suitability for upholstery.

Felt gliders installed as standard.



In Between SK7 & SK8

Sami Kallio

2017



Item code	Product	Model	Colli qty.	Lead time	Weight	PRICE EX. VAT (SEK)	PRICE INC. VAT (SEK)
82030700	Smoked Oiled Oak	SK7	1 pc	Stock item	6.50 kg	4.572	5.715
82030792	Oiled Oak	SK7	1 pc	Stock item	6.50 kg	4.572	5.715
82030794	Black Lacquered Oak	SK7	1 pc	Stock item	6.50 kg	4.572	5.715

Item code	Upholstery	Model	Lead time	Weight	PRICE EX. VAT (SEK)	PRICE INC. VAT (SEK)
Fabric gr. 1	Canvas, Linara, Maple, Remix, Re-Wool	SK8	6-8 weeks	7.00 kg	5.484	6.855
Fabric gr. 2	Clay, Divina Melange, Duke, Fiord, Hallingdal, Loop, Ritz, Ruskin, Steelcut, Steelcut Trio, Zero	SK8	6-8 weeks	7.00 kg	5.944	7.430
Fabric gr. 3	Balder, Harald, Skai Parotega Artificial leather*, Moss, Nimbus, Sisu, Sunniva, Svevo, Vidar	SK8	6-8 weeks	7.00 kg	6.056	7.570
Fabric gr. 4	Atlas, Gentle, Karakorum, Serafino	SK8	6-8 weeks	7.00 kg	6.516	8.145
Leather	Tailor Semi-aniline leather	SK8	6-8 weeks	7.00 kg	6.288	7.860
Leather	Noble Aniline leather	SK8	6-8 weeks	7.00 kg	6.516	8.145
Leather	Elmosoft Semi-aniline leather	SK8	6-8 weeks	7.00 kg	6.860	8.575
Fabric COM	COM Fabric	SK8	6-8 weeks	7.00 kg	5.484	6.855

*Skai Parotega Artificial leather:
This product contains 0,1-0,2 % C,C'-azodi (formamide), CAS no. 123-77-3.

Frame Finish

Wood Oiled Oak, Smoked Oiled Oak, Black Lacquered Oak

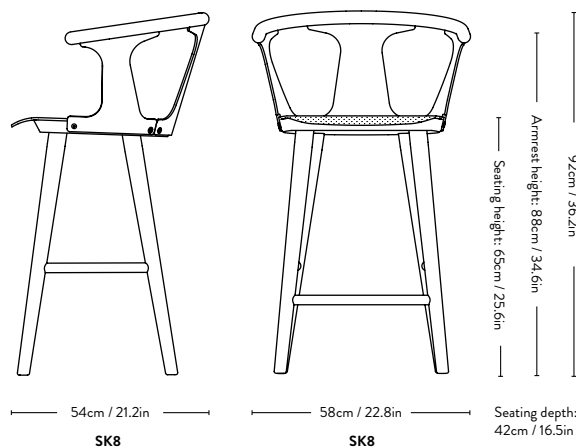
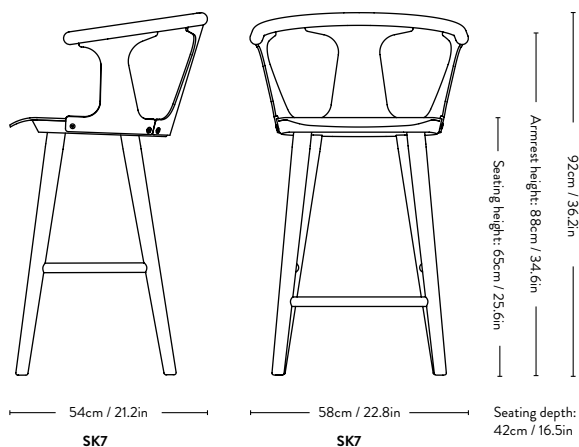
Material: Solid wood, formpressed veneer and HR foam.

Fabric usage: 0.36 meter based on a 140 cm roll.

Leather usage: 0.36 square meters based on a yield of 60% pr hide.

COM must be approved by &Tradition to ensure suitability for upholstery.

Felt gliders installed as standard.



In Between ^{SK9 & SK10} Sami Kallio 2017



Item code	Product	Model	Colli qty.	Lead time	Weight	PRICE EX. VAT (SEK)	PRICE INC. VAT (SEK)
82030800	Smoked Oiled Oak	SK9	1 pc	Stock item	6.50 kg	4.572	5.715
82030892	Oiled Oak	SK9	1 pc	Stock item	6.50 kg	4.572	5.715
82030894	Black Lacquered Oak	SK9	1 pc	Stock item	6.50 kg	4.572	5.715

Item code	Upholstery	Model	Lead time	Weight	PRICE EX. VAT (SEK)	PRICE INC. VAT (SEK)
Fabric gr. 1	Canvas, Linara, Maple, Remix, Re-Wool	SK10	6-8 weeks	7.00 kg	5.484	6.855
Fabric gr. 2	Clay, Divina Melange, Duke, Fiord, Hallingdal, Loop, Ritz, Ruskin, Steelcut, Steelcut Trio, Zero	SK10	6-8 weeks	7.00 kg	5.944	7.430
Fabric gr. 3	Balder, Harald, Skai Parotega Artificial leather*, Moss, Nimbus, Sisu, Sunniva, Svevo, Vidar	SK10	6-8 weeks	7.00 kg	6.056	7.570
Fabric gr. 4	Atlas, Gentle, Karakorum, Serafino	SK10	6-8 weeks	7.00 kg	6.516	8.145
Leather	Tailor Semi-aniline leather	SK10	6-8 weeks	7.00 kg	6.288	7.860
Leather	Noble Aniline leather	SK10	6-8 weeks	7.00 kg	6.516	8.145
Leather	Elmosoft Semi-aniline leather	SK10	6-8 weeks	7.00 kg	6.860	8.575
Fabric COM	COM Fabric	SK10	6-8 weeks	7.00 kg	5.484	6.855

*Skai Parotega Artificial leather:
This product contains 0,1-0,2% C,C'-azodi (formamide), CAS no. 123-77-3.

Frame	Finish
Wood	Oiled Oak, Smoked Oiled Oak, Black Lacquered Oak

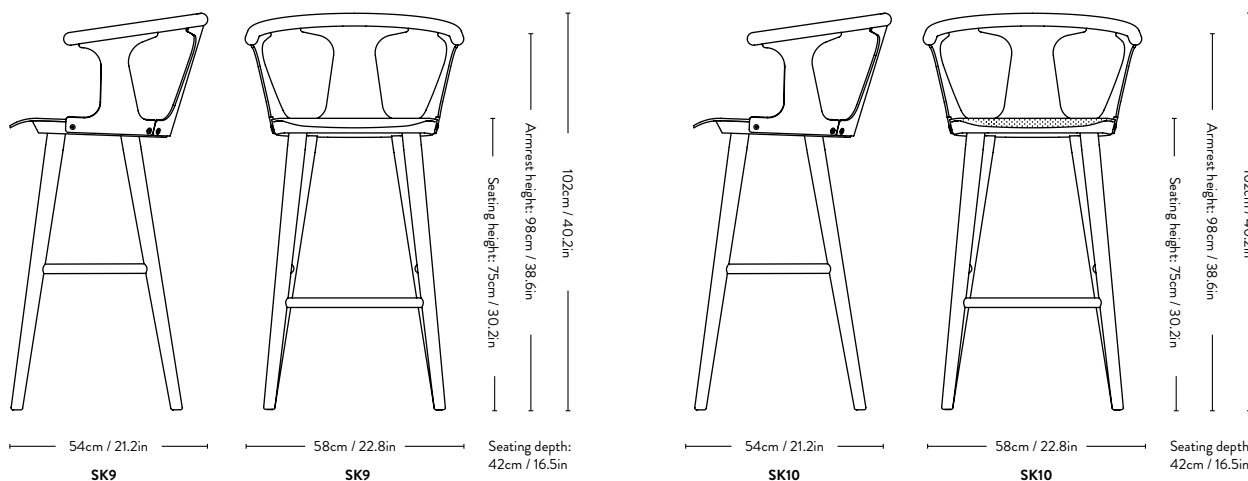
Material: Solid wood, formpressed veneer and HR foam.

Fabric usage: 0.36 meter based on a 140 cm roll.

Leather usage: 0.36 square meters based on a yield of 60% pr hide.

COM must be approved by &Tradition to ensure suitability for upholstery.

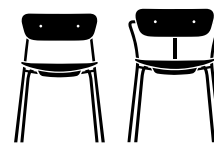
Felt gliders installed as standard.



Pavilion AV1 & AV2

Anderssen & Voll

2018



Item code	Product	Model	Base	Colli qty.	Lead time	Weight	PRICE EX. VAT (SEK)	PRICE INC. VAT (SEK)
50010092	Lacquered Oak	AV1	Black	2 pcs	Stock item	7.50 kg	2.624	3.280
50010094	Black Lacquered Oak	AV1	Black	2 pcs	Stock item	7.50 kg	2.624	3.280
50010096	Lacquered Walnut	AV1	Black	2 pcs	Stock item	7.50 kg	2.624	3.280
50010193	Lacquered Oak or Black Lacquered Oak	AV1	Chrome	2 pcs	6-8 weeks	7.50 kg	2.856	3.570
50010197	Lacquered Walnut	AV1	Chrome	2 pcs	6-8 weeks	7.50 kg	2.968	3.710
50020092	Lacquered Oak	AV2	Black	2 pcs	Stock item	8.50 kg	3.196	3.995
50020094	Black Lacquered Oak	AV2	Black	2 pcs	Stock item	8.50 kg	3.196	3.995
50020096	Lacquered Walnut	AV2	Black	2 pcs	Stock item	8.50 kg	3.312	4.140
50021192	Lacquered Oak or Black Lacquered Oak	AV2	Chrome	2 pcs	6-8 weeks	8.50 kg	3.540	4.425
50021196	Lacquered Walnut	AV2	Chrome	2 pcs	6-8 weeks	8.50 kg	3.656	4.570

Item code	Product	Lead time	Weight	PRICE EX. VAT (SEK)	PRICE INC. VAT (SEK)
50099990	Pavilion Stacking Trolley	Stock item	20.00 kg	9.148	11.435
50010001	Pavilion chair hanger *can only be used for AV1, AV3 & AV12	6-8 weeks		224	280

Frame	Seat & back
Black	Lacquered Oak, Black Lacquered Oak, Lacquered Walnut
Chrome	Lacquered Oak, Black Lacquered Oak, Lacquered Walnut

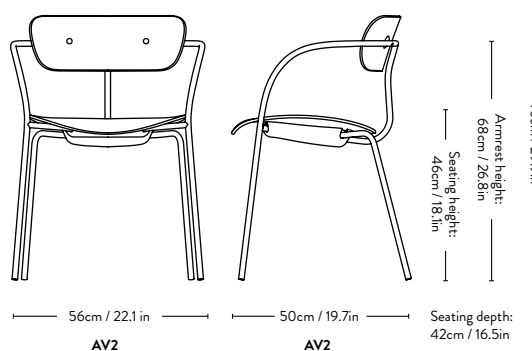
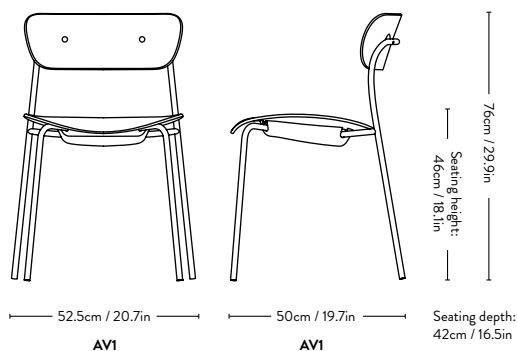
Material: Steel tubes and formpressed veneer.

Plastic gliders installed as standard.
Felt gliders available upon request (6-8 weeks lead time).

Black base: Black fittings for the front side of the back rest installed as standard. Brass & Chrome fittings available upon request.

Chrome base: Chrome fittings for the front side of the back rest installed as standard. Brass & Black fittings available upon request.

Stackable chair.
With trolley: 12 pcs / Without trolley: 10 pcs



Pavilion AV3

Anderssen & Voll

2018



Item code	Upholstery	Model	Base	Finish	Lead time	Weight	PRICE EX. VAT (SEK)	PRICE INC. VAT (SEK)
Fabric gr. 1	Canvas, Linara, Maple, Remix, Re-Wool	AV3	Black	Black or Lacquered Oak	6-8 weeks	8.00 kg	3.428	4.285
		AV3	Black	Lacquered Walnut	6-8 weeks	8.00 kg	3.540	4.425
		AV3	Chrome	Black or Lacquered Oak	6-8 weeks	8.00 kg	3.656	4.570
		AV3	Chrome	Lacquered Walnut	6-8 weeks	8.00 kg	3.768	4.710
Fabric gr. 2	Clay, Divina Melange, Duke, Fiord, Hallingdal, Loop, Ritz, Ruskin, Steelcut, Steelcut Trio, Zero	AV3	Black	Black or Lacquered Oak	6-8 weeks	8.00 kg	4.000	5.000
		AV3	Black	Lacquered Walnut	6-8 weeks	8.00 kg	4.112	5.140
		AV3	Chrome	Black or Lacquered Oak	6-8 weeks	8.00 kg	4.228	5.285
		AV3	Chrome	Lacquered Walnut	6-8 weeks	8.00 kg	4.340	5.425
Fabric gr. 3	Balder, Harald, Moss, Nimbus, Sisu, Skai Parotega Artificial leather*, Sunniva, Svevo, Vidar	AV3	Black	Black or Lacquered Oak	6-8 weeks	8.00 kg	4.112	5.140
		AV3	Black	Lacquered Walnut	6-8 weeks	8.00 kg	4.228	5.285
		AV3	Chrome	Black or Lacquered Oak	6-8 weeks	8.00 kg	4.340	5.425
		AV3	Chrome	Lacquered Walnut	6-8 weeks	8.00 kg	4.456	5.570
Fabric gr. 4	Atlas, Gentle, Karakorum, Serafino	AV3	Black	Black or Lacquered Oak	6-8 weeks	8.00 kg	4.572	5.715
		AV3	Black	Lacquered Walnut	6-8 weeks	8.00 kg	4.684	5.855
		AV3	Chrome	Black or Lacquered Oak	6-8 weeks	8.00 kg	4.800	6.000
		AV3	Chrome	Lacquered Walnut	6-8 weeks	8.00 kg	4.912	6.140
Leather	Tailor Semi-aniline leather	AV3	Black	Black or Lacquered Oak	6-8 weeks	8.00 kg	4.340	5.425
		AV3	Black	Lacquered Walnut	6-8 weeks	8.00 kg	4.456	5.570
		AV3	Chrome	Black or Lacquered Oak	6-8 weeks	8.00 kg	4.572	5.715
		AV3	Chrome	Lacquered Walnut	6-8 weeks	8.00 kg	4.684	5.855
Leather	Noble Aniline leather	AV3	Black	Black or Lacquered Oak	6-8 weeks	8.00 kg	4.572	5.715
		AV3	Black	Lacquered Walnut	6-8 weeks	8.00 kg	4.684	5.855
		AV3	Chrome	Black or Lacquered Oak	6-8 weeks	8.00 kg	4.800	6.000
		AV3	Chrome	Lacquered Walnut	6-8 weeks	8.00 kg	4.912	6.140
Leather	Elmosoft Semi-aniline leather	AV3	Black	Black or Lacquered Oak	6-8 weeks	8.00 kg	4.912	6.140
		AV3	Black	Lacquered Walnut	6-8 weeks	8.00 kg	5.028	6.285
		AV3	Chrome	Black or Lacquered Oak	6-8 weeks	8.00 kg	5.144	6.430
		AV3	Chrome	Lacquered Walnut	6-8 weeks	8.00 kg	5.256	6.570
Fabric COM	COM Fabric	AV3	Black	Black or Lacquered Oak	6-8 weeks	8.00 kg	3.428	4.285
		AV3	Black	Lacquered Walnut	6-8 weeks	8.00 kg	3.540	4.425
		AV3	Chrome	Black or Lacquered Oak	6-8 weeks	8.00 kg	3.656	4.570
		AV3	Chrome	Lacquered Walnut	6-8 weeks	8.00 kg	3.768	4.710

Item code	Product	Lead time	Weight	PRICE EX. VAT (SEK)	PRICE INC. VAT (SEK)
50099990	Pavilion Stacking Trolley	Stock item	20.00 kg	9.148	11.435
50010001	Pavilion chair hanger *can only be used for AV1, AV3 & AV12	6-8 weeks		224	280

*Skai Parotega Artificial leather:
This product contains 0,1-0,2 % C,C'-azodi (formamide), CAS no. 123-77-3.

Material: Steel tubes, formpressed veneer, HR foam, fabric or leather upholstery.

Fabric usage: 0.45 meters based on 140cm roll.

Leather usage: 0.55 square meters based on a yield of 60% pr hide.

COM must be approved by &Tradition to ensure suitability for upholstery.

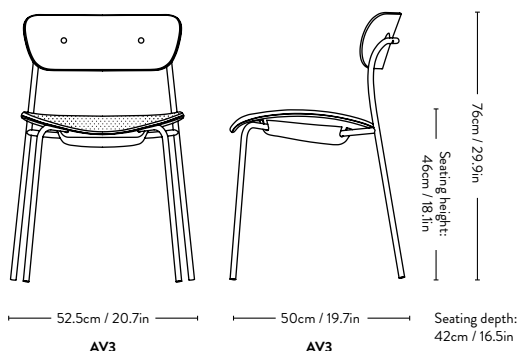
Plastic gliders installed as standard. Felt gliders available upon request.

Black base: Black fittings for the front side of the back rest installed as standard.
Brass & Chrome fittings available upon request.

Chrome base: Chrome fittings for the front side of the back rest installed as standard.
Brass & Black fittings available upon request.

Stackable chair.

With trolley: 10 pcs / Without trolley: 8 pcs



Pavilion AV4

Anderssen & Voll

2018



Item code	Upholstery	Model	Base	Finish	Lead time	Weight	PRICE EX. VAT (SEK)	PRICE INC. VAT (SEK)
Fabric gr. 1	Canvas, Linara, Maple, Remix, Re-Wool	AV4	Black	Black or Lacquered Oak	6-8 weeks	9.00 kg	4.000	5.000
		AV4	Black	Lacquered Walnut	6-8 weeks	9.00 kg	4.112	5.140
		AV4	Chrome	Black or Lacquered Oak	6-8 weeks	9.00 kg	4.340	5.425
		AV4	Chrome	Lacquered Walnut	6-8 weeks	9.00 kg	4.456	5.570
Fabric gr. 2	Clay, Divina Melange, Duke, Fiord, Hallingdal, Loop, Ritz, Ruskin, Steelcut, Steelcut Trio, Zero	AV4	Black	Black or Lacquered Oak	6-8 weeks	9.00 kg	4.572	5.715
		AV4	Black	Lacquered Walnut	6-8 weeks	9.00 kg	4.684	5.855
		AV4	Chrome	Black or Lacquered Oak	6-8 weeks	9.00 kg	4.912	6.140
		AV4	Chrome	Lacquered Walnut	6-8 weeks	9.00 kg	5.028	6.285
Fabric gr. 3	Balder, Harald, Moss, Nimbus, Sisu, Skai Parotega Artificial leather*, Sunniva, Svevo, Vidar	AV4	Black	Black or Lacquered Oak	6-8 weeks	9.00 kg	4.684	5.855
		AV4	Black	Lacquered Walnut	6-8 weeks	9.00 kg	4.800	6.000
		AV4	Chrome	Black or Lacquered Oak	6-8 weeks	9.00 kg	5.028	6.285
		AV4	Chrome	Lacquered Walnut	6-8 weeks	9.00 kg	5.144	6.430
Fabric gr. 4	Atlas, Gentle, Karakorum, Serafino	AV4	Black	Black or Lacquered Oak	6-8 weeks	9.00 kg	5.144	6.430
		AV4	Black	Lacquered Walnut	6-8 weeks	9.00 kg	5.256	6.570
		AV4	Chrome	Black or Lacquered Oak	6-8 weeks	9.00 kg	5.484	6.855
		AV4	Chrome	Lacquered Walnut	6-8 weeks	9.00 kg	5.600	7.000
Leather	Tailor Semi-aniline leather	AV4	Black	Black or Lacquered Oak	6-8 weeks	9.00 kg	4.912	6.140
		AV4	Black	Lacquered Walnut	6-8 weeks	9.00 kg	5.028	6.285
		AV4	Chrome	Black or Lacquered Oak	6-8 weeks	9.00 kg	5.256	6.570
		AV4	Chrome	Lacquered Walnut	6-8 weeks	9.00 kg	5.372	6.715
Leather	Noble Aniline leather	AV4	Black	Black or Lacquered Oak	6-8 weeks	9.00 kg	5.144	6.430
		AV4	Black	Lacquered Walnut	6-8 weeks	9.00 kg	5.256	6.570
		AV4	Chrome	Black or Lacquered Oak	6-8 weeks	9.00 kg	5.484	6.855
		AV4	Chrome	Lacquered Walnut	6-8 weeks	9.00 kg	5.600	7.000
Leather	Elmosoft Semi-aniline leather	AV4	Black	Black or Lacquered Oak	6-8 weeks	9.00 kg	5.484	6.855
		AV4	Black	Lacquered Walnut	6-8 weeks	9.00 kg	6.744	8.430
		AV4	Chrome	Black or Lacquered Oak	6-8 weeks	9.00 kg	5.828	7.285
		AV4	Chrome	Lacquered Walnut	6-8 weeks	9.00 kg	5.944	7.430
Fabric COM	COM Fabric	AV4	Black	Black or Lacquered Oak	6-8 weeks	9.00 kg	4.000	5.000
		AV4	Black	Lacquered Walnut	6-8 weeks	9.00 kg	4.112	5.140
		AV4	Chrome	Black or Lacquered Oak	6-8 weeks	9.00 kg	4.340	5.425
		AV4	Chrome	Lacquered Walnut	6-8 weeks	9.00 kg	4.456	5.570

Item code	Product	Lead time	Weight	PRICE EX. VAT (SEK)	PRICE INC. VAT (SEK)
50099990	Pavilion Stacking Trolley	Stock item	20.00 kg	9.148	11.435

*Skai Parotega Artificial leather:
This product contains 0,1-0,2 % C,C'-azodi (formamide), CAS no. 123-77-3.

Material: Steel tubes, formpressed veneer, HR foam, fabric or leather upholstery.

Fabric usage: 0.45 meters based on 140cm roll.

Leather usage: 0.55 square meters based on a yield of 60% pr hide.

COM must be approved by &Tradition to ensure suitability for upholstery.

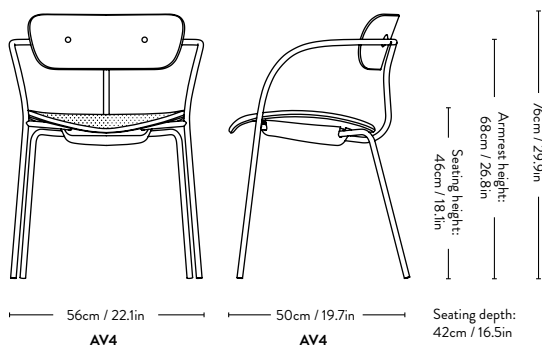
Plastic gliders installed as standard. Felt gliders available upon request.

Black base: Black fittings for the front side of the back rest installed as standard.
Brass & Chrome fittings available upon request.

Chrome base: Chrome fittings for the front side of the back rest installed as standard.
Brass & Black fittings available upon request.

Stackable chair.

With trolley: 10 pcs / Without trolley: 8 pcs



Pavilion AV12

Anderssen & Voll

2019



Item code	Upholstery	Model	Base	Lead time	Weight	PRICE EX. VAT (SEK)	PRICE INC. VAT (SEK)
Fabric gr. 1	Canvas, Linara, Maple, Remix, Re-Wool	AV12	Black	6-8 weeks	9.00 kg	4.340	5.425
		AV12	Chrome	6-8 weeks	9.00 kg	4.572	5.715
Fabric gr. 2	Clay, Divina Melange, Duke, Fiord, Hallingdal, Loop, Ritz, Ruskin, Steelcut, Steelcut Trio, Zero	AV12	Black	6-8 weeks	9.00 kg	5.484	6.855
		AV12	Chrome	6-8 weeks	9.00 kg	5.716	7.145
Fabric gr. 3	Balder, Harald, Moss, Nimbus, Sisu, Sunniva, Svevo, Vidar	AV12	Black	6-8 weeks	9.00 kg	5.716	7.145
		AV12	Chrome	6-8 weeks	9.00 kg	5.944	7.430
Fabric gr. 4	Atlas, Gentle, Karakorum, Serafino	AV12	Black	6-8 weeks	9.00 kg	6.628	8.285
		AV12	Chrome	6-8 weeks	9.00 kg	6.860	8.575
Fabric COM	COM Fabric	AV12	Black	6-8 weeks	9.00 kg	4.340	5.425
		AV12	Chrome	6-8 weeks	9.00 kg	4.572	5.715

Item code	Product	Lead time	Weight	PRICE EX. VAT (SEK)	PRICE INC. VAT (SEK)
50099990	Pavilion Stacking Trolley	Stock item	20.00 kg	9.148	11.435
50010001	Pavilion chair hanger *can only be used for AV1, AV3 & AV12	6-8 weeks		224	280

Frame	Back	Seat
Black	Upholstered	Upholstered
Chrome	Upholstered	Upholstered

Material: Steel tubes, formpressed veneer, HR foam, fabric upholstery.

Fabric usage: 0.9 meter based on a 140cm roll.

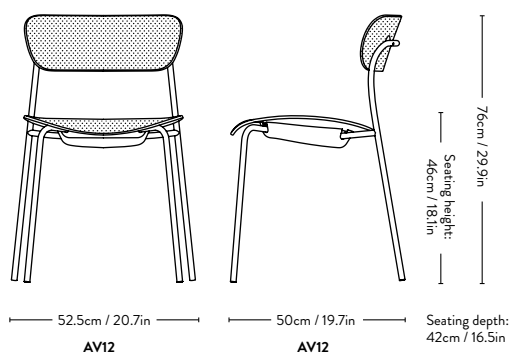
COM must be approved by &Tradition to ensure suitability for upholstery.

Pavilion AV12 is not available in leather.

Plastic gliders installed as standard. Felt gliders available upon request.

Stackable chair.

With trolley: 10 pcs / Without trolley: 8 pcs



Pavilion AV13

Anderssen & Voll

2019



Item code	Upholstery	Model	Base	Lead time	Weight	PRICE EX. VAT (SEK)	PRICE INC. VAT (SEK)
Fabric gr. 1	Canvas, Linara, Maple, Remix, Re-Wool	AV13	Black	6-8 weeks	9.00 kg	4.912	6.140
		AV13	Chrome	6-8 weeks	9.00 kg	5.256	6.570
Fabric gr. 2	Clay, Divina Melange, Duke, Fiord, Hallingdal, Loop, Ritz, Ruskin, Steelcut, Steelcut Trio, Zero	AV13	Black	6-8 weeks	9.00 kg	6.056	7.570
		AV13	Chrome	6-8 weeks	9.00 kg	6.400	8.000
Fabric gr. 3	Balder, Harald, Moss, Nimbus, Sisu, Sunniva, Svevo, Vidar	AV13	Black	6-8 weeks	9.00 kg	6.288	7.860
		AV13	Chrome	6-8 weeks	9.00 kg	6.628	8.285
Fabric gr. 4	Atlas, Gentle, Karakorum, Serafino	AV13	Black	6-8 weeks	9.00 kg	7.200	9.000
		AV13	Chrome	6-8 weeks	9.00 kg	7.544	9.430
Fabric COM	COM Fabric	AV13	Black	6-8 weeks	9.00 kg	4.912	6.140
		AV13	Chrome	6-8 weeks	9.00 kg	5.256	6.570

Item code	Product	Lead time	Weight	PRICE EX. VAT (SEK)	PRICE INC. VAT (SEK)
50099990	Pavilion Stacking Trolley	Stock item	20.00 kg	9.148	11.435

Frame	Back	Seat
Black	Upholstered	Upholstered

Material: Steel tubes, formpressed veneer, HR foam, fabric upholstery.

Fabric usage: 0.9 meter based on a 140cm roll.

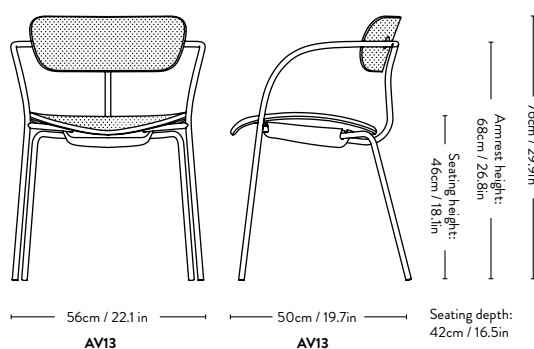
COM must be approved by &Tradition to ensure suitability for upholstery.

Pavilion AV13 is not available in leather.

Plastic gliders installed as standard. Felt gliders available upon request.

Stackable chair.

With trolley: 10 pcs / Without trolley: 8 pcs



Pavilion AV5

Anderssen & Voll

2018



Item code	Base	Model	Finish	Colli qty.	Lead time	Weight	PRICE EX. VAT (SEK)	PRICE INC. VAT (SEK)
50030192	Black	AV5	Lacquered Oak	1 pc	6-8 weeks	5.50 kg	5.256	6.570
		AV5	Black Lacquered Oak	1 pc	6-8 weeks	5.50 kg	5.256	6.570
50030196	Black	AV5	Lacquered Walnut	1 pc	6-8 weeks	5.50 kg	5.600	7.000

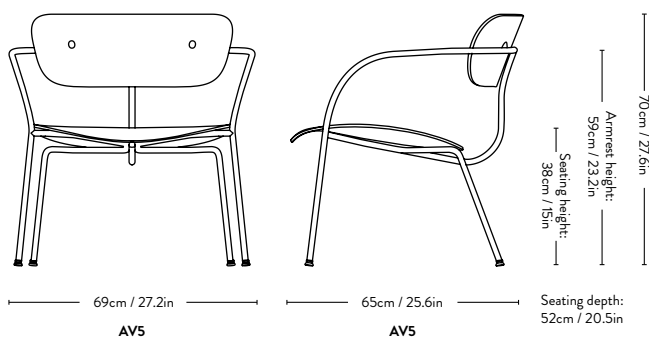
Frame **Seat & back**

Black Lacquered Oak, Black Lacquered Oak,
Lacquered Walnut

Material: Steel tubes and formpressed veneer.

Plastic gliders installed as standard.
Felt gliders available upon request (6-8 weeks lead time).

Black fittings for the front side of the back rest installed as standard.
Brass fittings available upon request (6-8 weeks lead time).



Pavilion AV6

Anderssen & Voll

2018



	Upholstery	Model	Finish	Lead time	Weight	PRICE EX. VAT (SEK)	PRICE INC. VAT (SEK)
Fabric gr. 1	Canvas, Linara, Maple, Remix, Re-Wool	AV6	Black Lacquered Oak	6-8 weeks	6.50 kg	6.288	7.860
		AV6	Lacquered Oak	6-8 weeks	6.50 kg	6.288	7.860
		AV6	Lacquered Walnut	6-8 weeks	6.50 kg	6.628	8.285
Fabric gr. 2	Clay, Divina Melange, Duke, Fiord, Hallingdal, Loop, Ritz, Ruskin, Steelcut, Steelcut Trio, Zero	AV6	Black Lacquered Oak	6-8 weeks	6.50 kg	6.972	8.715
		AV6	Lacquered Oak	6-8 weeks	6.50 kg	6.972	8.715
		AV6	Lacquered Walnut	6-8 weeks	6.50 kg	7.316	9.145
Fabric gr. 3	Balder, Harald, Moss, Nimbus, Sisu, Skai Parotega Artificial leather*, Sunniva, Svevo, Vidar	AV6	Black Lacquered Oak	6-8 weeks	6.50 kg	7.200	9.000
		AV6	Lacquered Oak	6-8 weeks	6.50 kg	7.200	9.000
		AV6	Lacquered Walnut	6-8 weeks	6.50 kg	7.432	9.290
Fabric gr. 4	Atlas, Gentle, Karakorum, Serafino	AV6	Black Lacquered Oak	6-8 weeks	6.50 kg	7.660	9.575
		AV6	Lacquered Oak	6-8 weeks	6.50 kg	7.660	9.575
		AV6	Lacquered Walnut	6-8 weeks	6.50 kg	7.888	9.860
Leather	Tailor Semi-aniline leather	AV6	Black Lacquered Oak	6-8 weeks	6.50 kg	7.432	9.290
		AV6	Lacquered Oak	6-8 weeks	6.50 kg	7.432	9.290
		AV6	Lacquered Walnut	6-8 weeks	6.50 kg	7.660	9.575
Leather	Noble Aniline leather	AV6	Black Lacquered Oak	6-8 weeks	6.50 kg	7.660	9.575
		AV6	Lacquered Oak	6-8 weeks	6.50 kg	7.660	9.575
		AV6	Lacquered Walnut	6-8 weeks	6.50 kg	7.888	9.860
Leather	Elmosoft Semi-aniline leather	AV6	Black Lacquered Oak	6-8 weeks	6.50 kg	8.004	10.005
		AV6	Lacquered Oak	6-8 weeks	6.50 kg	8.004	10.005
		AV6	Lacquered Walnut	6-8 weeks	6.50 kg	8.232	10.290
Fabric COM	COM Fabric	AV6	Black Lacquered Oak	6-8 weeks	6.50 kg	6.288	7.860
		AV6	Lacquered Oak	6-8 weeks	6.50 kg	6.288	7.860
		AV6	Lacquered Walnut	6-8 weeks	6.50 kg	6.628	8.285

*Skai Parotega Artificial leather:
This product contains 0,1-0,2 % C,C'-azodi (formamide), CAS no. 123-77-3.

Frame	Back	Seat
Black	Black Lacquered Oak, Lacquered Oak or Walnut	Upholstered

Material: Steel tubes, formpressed veneer, HR foam, fabric or leather upholstery.

Fabric usage: 0.73 meters based on 140cm roll

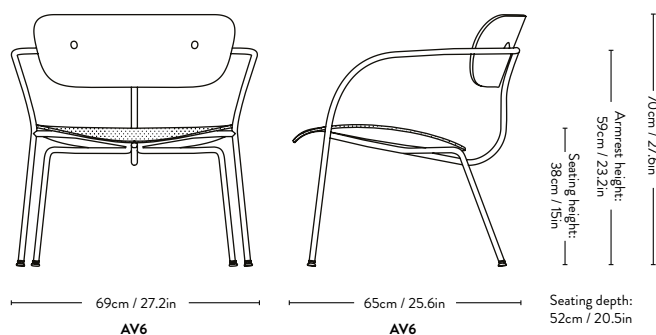
Leather usage: 0.5 square meters based on a yield of 60% pr hide.

COM must be approved by &Tradition to ensure suitability for upholstery.

Plastic gliders installed as standard. Felt gliders available upon request.

Black fittings for the front side of the back rest installed as standard.

Brass fittings available upon request (6-8 weeks lead time).



Pavilion AV11

Anderssen & Voll

2019



	Upholstery	Model	Lead time	Weight	PRICE EX. VAT (SEK)	PRICE INC. VAT (SEK)
Fabric gr. 1	Canvas, Linara, Maple, Remix, Re-Wool	AV11	6-8 weeks	6.50 kg	7.200	9.000
Fabric gr. 2	Clay, Divina Melange, Duke, Fiord, Hallingdal, Loop, Ritz, Ruskin, Steelcut, Steelcut Trio, Zero	AV11	6-8 weeks	6.50 kg	7.888	9.860
Fabric gr. 3	Balder, Harald, Moss, Nimbus, Sisu, Sunniva, Svevo, Vidar	AV11	6-8 weeks	6.50 kg	8.116	10.145
Fabric gr. 4	Atlas, Gentle, Karakorum, Serafino	AV11	6-8 weeks	6.50 kg	8.576	10.720
Fabric COM	COM Fabric	AV11	6-8 weeks	6.50 kg	7.200	9.000

Frame	Back	Seat
Black	Upholstered	Upholstered

Material: Steel tubes, formpressed veneer, HR foam, fabric or leather upholstery.

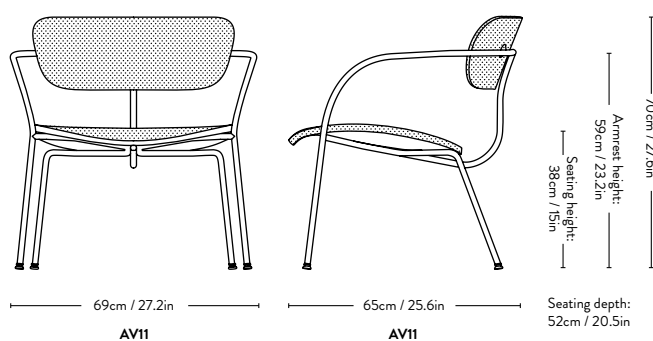
Fabric usage: 1 meter based on a 140cm roll.

COM must be approved by &Tradition to ensure suitability for upholstery.

Pavilion AV11 is not available in leather.

Plastic gliders installed as standard.

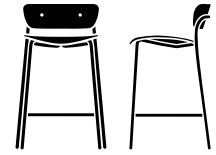
Felt gliders available upon request.



Pavilion AV7 & AV8

Anderssen & Voll

2018



Item code	Product	Model	Colli qty.	Lead time	Weight	PRICE EX. VAT (SEK)	PRICE INC. VAT (SEK)
50060092	Lacquered Oak	AV7	1 pc	Stock item	5.00 kg	3.884	4.855
50060094	Black Lacquered Oak	AV7	1 pc	Stock item	5.00 kg	3.884	4.855
50060096	Lacquered Walnut	AV7	1 pc	Stock item	5.00 kg	4.000	5.000

Upholstery	Model	Finish	Lead time	Weight	PRICE EX. VAT (SEK)	PRICE INC. VAT (SEK)
Fabric gr. 1 Canvas, Linara, Maple, Remix, Re-Wool	AV8	Black Lacquered Oak	6-8 weeks	5.50 kg	4.684	5.855
	AV8	Lacquered Oak	6-8 weeks	5.50 kg	4.684	5.855
	AV8	Lacquered Walnut	6-8 weeks	5.50 kg	4.800	6.000
Fabric gr. 2 Clay, Divina Melange, Duke, Fiord, Hallingdal, Loop, Ritz, Ruskin, Steelcut, Steelcut Trio, Zero	AV8	Black Lacquered Oak	6-8 weeks	5.50 kg	5.256	6.570
	AV8	Lacquered Oak	6-8 weeks	5.50 kg	5.256	6.570
	AV8	Lacquered Walnut	6-8 weeks	5.50 kg	5.372	6.715
Fabric gr. 3 Balder, Harald, Nimbus, Sisu, Skai Parotega Artificial leather*, Sunniva, Svevo, Vidar	AV8	Black Lacquered Oak	6-8 weeks	5.50 kg	5.372	6.715
	AV8	Lacquered Oak	6-8 weeks	5.50 kg	5.372	6.715
	AV8	Lacquered Walnut	6-8 weeks	5.50 kg	5.484	6.855
Fabric gr. 4 Atlas, Gentle, Karakorum, Serafino	AV8	Black Lacquered Oak	6-8 weeks	5.50 kg	5.828	7.285
	AV8	Lacquered Oak	6-8 weeks	5.50 kg	5.828	7.285
	AV8	Lacquered Walnut	6-8 weeks	5.50 kg	5.944	7.430
Leather Tailor Semi-aniline leather	AV8	Black Lacquered Oak	6-8 weeks	5.50 kg	5.600	7.000
	AV8	Lacquered Oak	6-8 weeks	5.50 kg	5.600	7.000
	AV8	Lacquered Walnut	6-8 weeks	5.50 kg	5.716	7.145
Leather Noble Aniline leather	AV8	Black Lacquered Oak	6-8 weeks	5.50 kg	5.828	7.285
	AV8	Lacquered Oak	6-8 weeks	5.50 kg	5.828	7.285
	AV8	Lacquered Walnut	6-8 weeks	5.50 kg	5.944	7.430
Leather Elmosoft Semi-aniline leather	AV8	Black Lacquered Oak	6-8 weeks	5.50 kg	6.172	7.715
	AV8	Lacquered Oak	6-8 weeks	5.50 kg	6.172	7.715
	AV8	Lacquered Walnut	6-8 weeks	5.50 kg	6.288	7.860
Fabric COM COM Fabric	AV8	Black Lacquered Oak	6-8 weeks	5.50 kg	4.684	5.855
	AV8	Lacquered Oak	6-8 weeks	5.50 kg	4.684	5.855
	AV8	Lacquered Walnut	6-8 weeks	5.50 kg	4.800	6.000

Material: Steel tubes, formpressed veneer, HR foam, fabric or leather upholstery.

Fabric usage (Pavilion AV8): 0.45 meters based on 140cm roll.

Leather usage (Pavilion AV8): 0.55 square meters based on a yield of 60% pr hole.

COM must be approved by &Tradition to ensure suitability for upholstery.

*Skai Parotega Artificial leather:

This product contains 0,1-0,2 % C,C'-azodi (formamide), CAS no. 123-77-3.

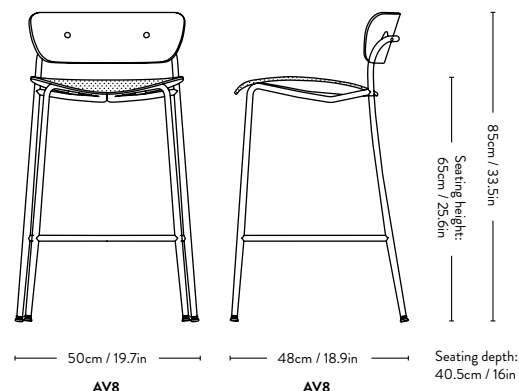
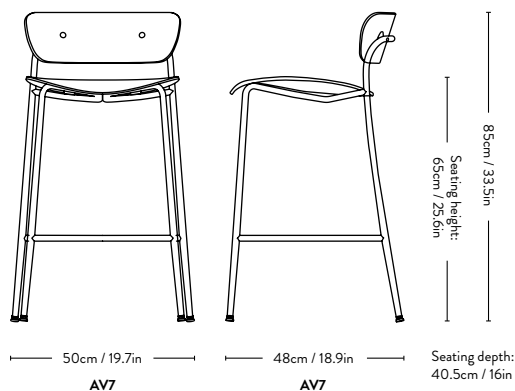
Frame Seat & back

Black Lacquered Oak, Black Lacquered Oak, Lacquered Walnut

Plastic gliders installed as standard. Felt gliders available upon request.

Black fittings for the front side of the back rest installed as standard.

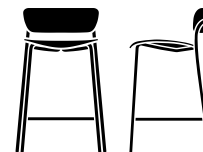
Brass fittings available upon request (6-8 weeks lead time).



Pavilion AV14

Anderssen & Voll

2019



	Upholstery	Model	Lead time	Weight	PRICE EX. VAT (SEK)	PRICE INC. VAT (SEK)
Fabric gr. 1	Canvas, Linara, Maple, Remix, Re-Wool	AV14	6-8 weeks	5.50 kg	5.600	7.000
Fabric gr. 2	Clay, Divina Melange, Duke, Fiord, Hallingdal, Loop, Ritz, Ruskin, Steelcut, Steelcut Trio, Zero	AV14	6-8 weeks	5.50 kg	6.744	8.430
Fabric gr. 3	Balder, Harald, Moss, Nimbus, Sisu, Sunniva, Svevo, Vidar	AV14	6-8 weeks	5.50 kg	6.972	8.715
Fabric gr. 4	Atlas, Gentle, Karakorum, Serafino	AV14	6-8 weeks	5.50 kg	7.888	9.860
Fabric COM	COM Fabric	AV14	6-8 weeks	5.50 kg	5.600	7.000

Frame	Back	Seat
Black	Upholstered	Upholstered

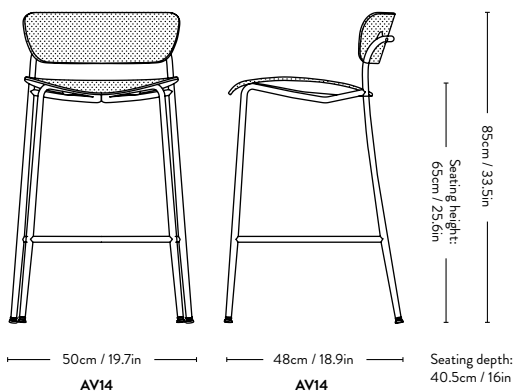
Material: Steel tubes, formpressed veneer, HR foam, fabric or leather upholstery.

Fabric usage: 0.8 meter based on a 140cm roll.

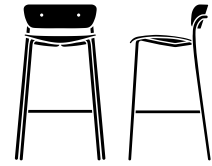
COM must be approved by &Tradition to ensure suitability for upholstery.

Pavilion AV14 is not available in leather.

Plastic gliders installed as standard.
Felt gliders available upon request.



Pavilion AV9 & AV10 Anderssen & Voll 2018



Item code	Product	Model	Colli qty.	Lead time	Weight	PRICE EX. VAT (SEK)	PRICE INC. VAT (SEK)
50090092	Lacquered Oak	AV9	1 pc	Stock item	5.30 kg	4.000	5.000
50090094	Black Lacquered Oak	AV9	1 pc	Stock item	5.30 kg	4.000	5.000
50090096	Lacquered Walnut	AV9	1 pc	Stock item	5.30 kg	4.112	5.140

Upholstery	Model	Finish	Lead time	Weight	PRICE EX. VAT (SEK)	PRICE INC. VAT (SEK)
Fabric gr. 1 Canvas, Linara, Maple, Remix, Re-Wool	AV10	Black Lacquered Oak	6-8 weeks	5.80 kg	4.800	6.000
	AV10	Lacquered Oak	6-8 weeks	5.80 kg	4.800	6.000
	AV10	Lacquered Walnut	6-8 weeks	5.80 kg	4.912	6.140
Fabric gr. 2 Clay, Divina Melange, Duke, Fiord, Hallingdal, Loop, Ritz, Ruskin, Steelcut, Steelcut Trio, Zero	AV10	Black Lacquered Oak	6-8 weeks	5.50 kg	5.372	6.715
	AV10	Lacquered Oak	6-8 weeks	5.50 kg	5.372	6.715
	AV10	Lacquered Walnut	6-8 weeks	5.50 kg	5.484	6.855
Fabric gr. 3 Balder, Harald, Moss, Nimbus, Sisu, Skai Parotega Artificial leather*, Sunniva, Svevo, Vidar	AV10	Black Lacquered Oak	6-8 weeks	5.50 kg	5.484	6.855
	AV10	Lacquered Oak	6-8 weeks	5.50 kg	5.484	6.855
	AV10	Lacquered Walnut	6-8 weeks	5.50 kg	5.600	7.000
Fabric gr. 4 Atlas, Gentle, Karakorum, Serafino	AV10	Black Lacquered Oak	6-8 weeks	5.50 kg	5.944	7.430
	AV10	Lacquered Oak	6-8 weeks	5.50 kg	5.944	7.430
	AV10	Lacquered Walnut	6-8 weeks	5.50 kg	6.056	7.570
Leather Tailor Semi-aniline leather	AV10	Black Lacquered Oak	6-8 weeks	5.50 kg	5.716	7.145
	AV10	Lacquered Oak	6-8 weeks	5.50 kg	5.716	7.145
	AV10	Lacquered Walnut	6-8 weeks	5.50 kg	5.828	7.285
Leather Noble Aniline leather	AV10	Black Lacquered Oak	6-8 weeks	5.50 kg	5.944	7.430
	AV10	Lacquered Oak	6-8 weeks	5.50 kg	5.944	7.430
	AV10	Lacquered Walnut	6-8 weeks	5.50 kg	6.056	7.570
Leather Elmosoft Semi-aniline leather	AV10	Black Lacquered Oak	6-8 weeks	5.50 kg	6.288	7.860
	AV10	Lacquered Oak	6-8 weeks	5.50 kg	6.288	7.860
	AV10	Lacquered Walnut	6-8 weeks	5.50 kg	6.400	8.000
Fabric COM COM Fabric	AV10	Black Lacquered Oak	6-8 weeks	5.50 kg	4.800	6.000
	AV10	Lacquered Oak	6-8 weeks	5.50 kg	4.800	6.000
	AV10	Lacquered Walnut	6-8 weeks	5.50 kg	4.912	6.140

Material: Steel tubes, formpressed veneer, HR foam, fabric or leather upholstery.

Fabric usage (AV10 only): 0.45 meters based on 140cm roll.

Leather usage (AV10 only): 0.55 square meters based on a yield of 60% pr hide.

COM must be approved by &Tradition to ensure suitability for upholstery.

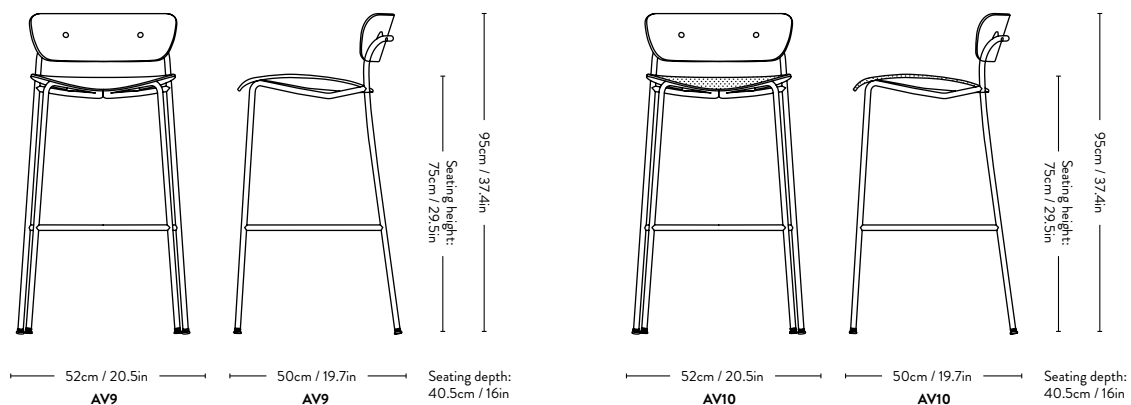
*Skai Parotega Artificial leather:

This product contains 0,1-0,2% C,C'-azodi (formamide), CAS no. 123-77-3.

Frame Seat & back

Black Lacquered Oak, Black Lacquered Oak, Lacquered Walnut

Plastic gliders installed as standard. Felt gliders available upon request.
Black fittings for the front side of the back rest installed as standard.
Brass fittings available upon request (6-8 weeks lead time, on AV9 only).



Pavilion AV15 Anderssen & Voll 2019



	Upholstery	Model	Lead time	Weight	PRICE EX. VAT (SEK)	PRICE INC. VAT (SEK)
Fabric gr. 1	Canvas, Linara, Maple, Remix, Re-Wool	AV15	6-8 weeks	5.80 kg	5.716	7.145
Fabric gr. 2	Clay, Divina Melange, Duke, Fiord, Hallingdal, Loop, Ritz, Ruskin, Steelcut, Steelcut Trio, Zero	AV15	6-8 weeks	5.80 kg	6.860	8.575
Fabric gr. 3	Balder, Harald, Moss, Nimbus, Sisu, Sunniva, Svevo, Vidar	AV15	6-8 weeks	5.80 kg	7.088	8.860
Fabric gr. 4	Atlas, Gentle, Karakorum, Serafino	AV15	6-8 weeks	5.80 kg	8.004	10.005
Fabric COM	COM Fabric	AV15	6-8 weeks	5.80 kg	5.716	7.145

Frame	Back	Seat
Black	Upholstered	Upholstered

Material: Steel tubes, formpressed veneer, HR foam, fabric upholstery.

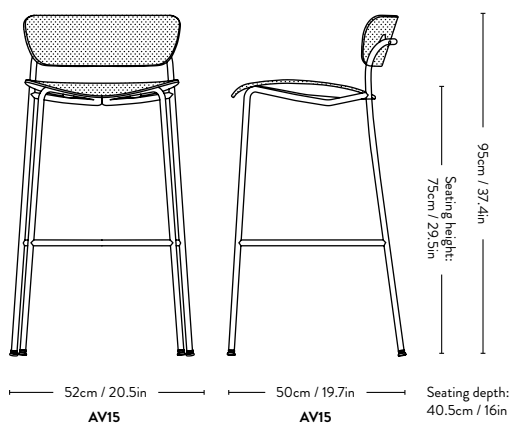
Fabric usage: 0.8 meter based on a 140cm roll.

COM must be approved by &Tradition to ensure suitability for upholstery.

Pavilion AV15 is not available in leather.

Plastic gliders installed as standard.

Felt gliders available upon request.



Rely HW6

Hee Welling

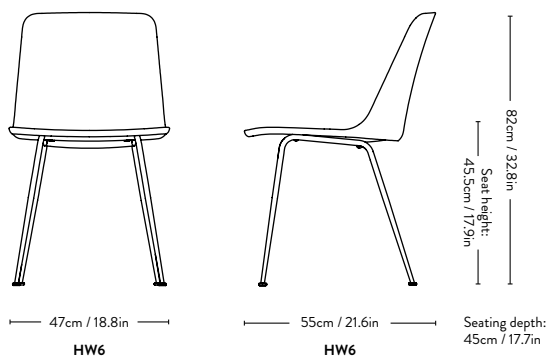
2020



Item code	Shell Colour	Model	Base	Colli qty.	Lead time	Weight	PRICE EX. VAT (SEK)	PRICE INC. VAT (SEK)
HW	Black	HW6	Black, Bronzed, Chrome	1 pc 4 pcs	2-3 weeks	5.20 kg	2.076 1.916	2.595 2.395
HW	White	HW6	Black, Bronzed, Chrome	1 pc 4 pcs	2-3 weeks	5.20 kg	2.076 1.916	2.595 2.395
HW	Beige Sand	HW6	Black, Bronzed, Chrome	1 pc 4 pcs	2-3 weeks	5.20 kg	2.076 1.916	2.595 2.395
HW	Red Brown	HW6	Black, Bronzed, Chrome	1 pc 4 pcs	2-3 weeks	5.20 kg	2.076 1.916	2.595 2.395
HW	Light Blue	HW6	Black, Bronzed, Chrome	1 pc 4 pcs	2-3 weeks	5.20 kg	2.076 1.916	2.595 2.395
HW	Stone Grey	HW6	Black, Bronzed, Chrome	1 pc 4 pcs	2-3 weeks	5.20 kg	2.076 1.916	2.595 2.395
HW	Vermilion red NEW	HW6	Black, Bronzed, Chrome	1 pc 4 pcs	2-3 weeks	5.20 kg	2.076 1.916	2.595 2.395
HW	Bronze green NEW	HW6	Black, Bronzed, Chrome	1 pc 4 pcs	2-3 weeks	5.20 kg	2.076 1.916	2.595 2.395
HW	Soft Pink NEW	HW6	Black, Bronzed, Chrome	1 pc 4 pcs	2-3 weeks	5.20 kg	2.076 1.916	2.595 2.395

Material: Shell made from 100% recycled polypropylene with fiber glass and a steel tube base.

Wagner QuickClick felt gliders with interchangeable plastic inserts are installed as standard.



Rely ^{HW7} Hee Welling 2020



Price group	Shell Colour	Seat Cushion Upholstery	Model	Base	Lead time	Weight	PRICE EX. VAT (SEK)	PRICE INC. VAT (SEK)
Fabric gr. 1	Black, White, Beige Sand, Red Brown, Light Blue, Stone Grey, Vermilion red, Bronze green, Soft Pink [NEW]	Canvas, Linara, Maple, Remix, Re-Wool	HW7	Black, Bronzed, Chrome	3-6 weeks	6.50 kg	3.276	4.095
Fabric gr. 2	Black, White, Beige Sand, Red Brown, Light Blue, Stone Grey, Vermilion red, Bronze green, Soft Pink [NEW]	Clay, Divina Melange, Duke, Fiord, Hallingdal, Loop, Ritz, Ruskin, Steelcut, Steelcut Trio, Zero	HW7	Black, Bronzed, Chrome	3-6 weeks	6.50 kg	3.676	4.595
Fabric gr. 3	Black, White, Beige Sand, Red Brown, Light Blue, Stone Grey, Vermilion red, Bronze green, Soft Pink [NEW]	Balder, Moss, Nimbus, Sisu, Skai, Parotega Artificial leather*, Sunniva, Svevo, Vidar	HW7	Black, Bronzed, Chrome	3-6 weeks	6.50 kg	4.076	5.095
Fabric gr. 4	Black, White, Beige Sand, Red Brown, Light Blue, Stone Grey, Vermilion red, Bronze green, Soft Pink [NEW]	Atlas, Gentle, Karakorum, Serafino	HW7	Black, Bronzed, Chrome	3-6 weeks	6.50 kg	4.556	5.695
Leather	Black, White, Beige Sand, Red Brown, Light Blue, Stone Grey, Vermilion red, Bronze green, Soft Pink [NEW]	Tailor Semi-aniline leather	HW7	Black, Bronzed, Chrome	3-6 weeks	6.50 kg	3.756	4.695
Leather	Black, White, Beige Sand, Red Brown, Light Blue, Stone Grey, Vermilion red, Bronze green, Soft Pink [NEW]	Noble Aniline leather	HW7	Black, Bronzed, Chrome	3-6 weeks	6.50 kg	4.076	5.095
Leather	Black, White, Beige Sand, Red Brown, Light Blue, Stone Grey, Vermilion red, Bronze green, Soft Pink [NEW]	Elmosoft Semi-aniline leather	HW7	Black, Bronzed, Chrome	3-6 weeks	6.50 kg	4.476	5.595
Fabric COM	Black, White, Beige Sand, Red Brown, Light Blue, Stone Grey, Vermilion red, Bronze green, Soft Pink [NEW]	COM Fabric	HW7	Black, Bronzed, Chrome	3-6 weeks	6.50 kg	3.276	4.095

*Skai Parotega Artificial leather:
This product contains 0,1-0,2 % C,C'-azodi (formamide), CAS no. 123-77-3.

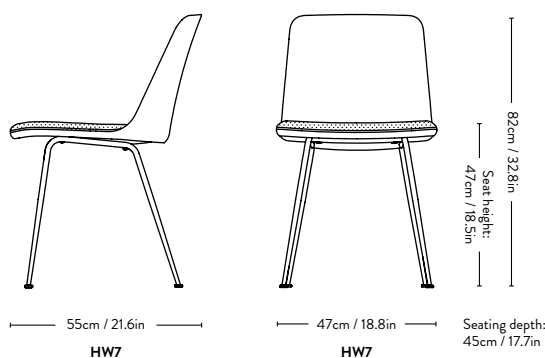
Material: Shell made from 100% recycled polypropylene with fiber glass, HR foam seat covered with fabric or leather upholstery, steel tube base.

Fabric usage: 0.49 meter based on a 140 cm roll.

Leather usage: 1 square meter based on a yield of 60% pr hide.

COM must be approved by &Tradition to ensure suitability for upholstery.

Wagner QuickClick felt gliders with interchangeable plastic inserts are installed as standard.



Rely ^{HW8} Hee Welling 2020



Price group	Upholstery	Model	Base	Lead time	Weight	PRICE EX. VAT (SEK)	PRICE INC. VAT (SEK)
Fabric gr. 1	Canvas, Linara, Maple, Remix, Re-Wool	HW8	Black, Bronzed, Chrome	3-6 weeks	5.70 kg	4.236	5.295
Fabric gr. 2	Clay, Divina Melange, Duke, Fiord, Hallingdal, Loop, Ritz, Ruskin, Steelcut, Steelcut Trio, Zero	HW8	Black, Bronzed, Chrome	3-6 weeks	5.70 kg	4.876	6.095
Fabric gr. 3	Balder, Moss, Nimbus, Sisu, Skai Parotega Artificial leather*, Sunniva, Svevo, Vidar	HW8	Black, Bronzed, Chrome	3-6 weeks	5.70 kg	5.676	7.095
Fabric gr. 4	Atlas, Gentle, Karakorum, Serafino	HW8	Black, Bronzed, Chrome	3-6 weeks	5.70 kg	7.116	8.895
Leather	Tailor Semi-aniline leather	HW8	Black, Bronzed, Chrome	3-6 weeks	5.70 kg	5.916	7.395
Leather	Noble Aniline leather	HW8	Black, Bronzed, Chrome	3-6 weeks	5.70 kg	6.316	7.895
Leather	Elmosoft Semi-aniline leather	HW8	Black, Bronzed, Chrome	3-6 weeks	5.70 kg	6.876	8.595
Fabric COM	COM Fabric	HW8	Black, Bronzed, Chrome	3-6 weeks	5.70 kg	4.236	5.295

*Skai Parotega Artificial leather:
This product contains 0,1-0,2 % C,C'-azodi (formamide), CAS no. 123-77-3.

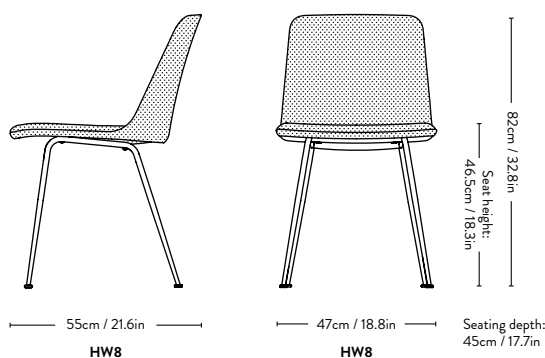
Material: Shell made from 100% recycled polypropylene with fiber glass, covered with HR foam with fabric or leather upholstery, steel tube base.

Fabric usage: 1.40 meters based on a 140cm roll.

Leather usage: 2.2 square meters based on a yield of 60% pr hide.

COM must be approved by &Tradition to ensure suitability for upholstery.

Wagner QuickClick felt gliders with interchangeable plastic inserts are installed as standard.



Rely HW9 Hee Welling 2020



Item no.	Upholstery	Colli qty.	Model	Base	Lead time	Weight	PRICE EX. VAT (SEK)	PRICE INC. VAT (SEK)
16090101	Re-Wool 128	1 pc	HW9	Black	Stock item	6.80 kg	4.476	5.595
16090102	Re-Wool 198	1 pc	HW9	Black	Stock item	6.80 kg	4.476	5.595
16090103	Nimbus 009	1 pc	HW9	Black	Stock item	6.80 kg	5.916	7.395
16090201	Linar Stone 2494/266	1 pc	HW9	Bronzed	Stock item	6.80 kg	4.476	5.595
16090202	Zero 0011	1 pc	HW9	Bronzed	Stock item	6.80 kg	5.116	6.395
16090203	Karakorum 003	1 pc	HW9	Bronzed	Stock item	6.80 kg	7.276	9.095

Price group	Upholstery	Model	Base	Lead time	Weight	PRICE EX. VAT (SEK)	PRICE INC. VAT (SEK)
Fabric gr. 1	Canvas, Linara, Maple, Remix, Re-Wool	HW9	Black, Bronzed, Chrome	3-6 weeks	6.80 kg	4.476	5.595
Fabric gr. 2	Clay, Divina Melange, Duke, Fiord, Hallingdal, Loop, Ritz, Ruskin, Steelcut, Steelcut Trio, Zero	HW9	Black, Bronzed, Chrome	3-6 weeks	6.80 kg	5.116	6.395
Fabric gr. 3	Balder, Moss, Nimbus, Sisu, Skai Parotega Artificial leather*, Sunniva, Svevo, Vidar	HW9	Black, Bronzed, Chrome	3-6 weeks	6.80 kg	5.916	7.395
Fabric gr. 4	Atlas, Gentle, Karakorum, Serafino	HW9	Black, Bronzed, Chrome	3-6 weeks	6.80 kg	7.276	9.095
Leather	Tailor Semi-aniline leather	HW9	Black, Bronzed, Chrome	3-6 weeks	6.80 kg	6.156	7.695
Leather	Noble Aniline leather	HW9	Black, Bronzed, Chrome	3-6 weeks	6.80 kg	6.476	8.095
Leather	Elmosoft Semi-aniline leather	HW9	Black, Bronzed, Chrome	3-6 weeks	6.80 kg	7.196	8.995
Fabric COM	COM Fabric	HW9	Black, Bronzed, Chrome	3-6 weeks	6.80 kg	4.476	5.595

*Skai Parotega Artificial leather:
This product contains 0,1-0,2 % C,C'-azodi (formamide), CAS no. 123-77-3.

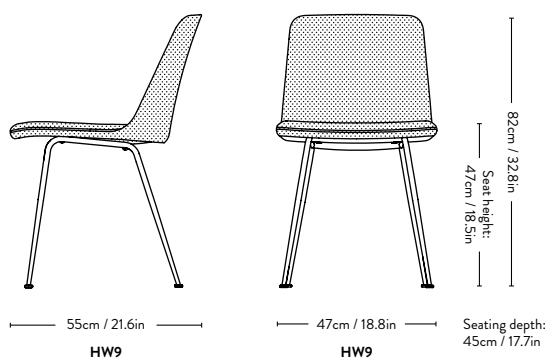
Material: Shell made from 100% recycled polypropylene with fiber glass, covered with HR foam with fabric or leather upholstery, steel tube base.

Fabric usage: 1.8 meters based on a 140cm roll.

Leather usage: 2.7 square meters based on a yield of 60% pr hide.

COM must be approved by &Tradition to ensure suitability for upholstery.

Wagner QuickClick felt gliders with interchangeable plastic inserts are installed as standard.



Rely HW10 Hee Welling 2020



Please note that price is accumulated price of shell & seat.

Price group	Shell Upholstery	Model	Base	Lead time	Weight	PRICE EX. VAT (SEK)	PRICE INC. VAT (SEK)
Fabric gr. 1	Canvas, Linara, Maple, Remix, Re-Wool	HW10	Black, Bronzed, Chrome	3-6 weeks	6.80 kg	3.276	4.095
Fabric gr. 2	Clay, Divina Melange, Duke, Fiord, Hallingdal, Loop, Ritz, Ruskin, Steelcut, Steelcut Trio, Zero	HW10	Black, Bronzed, Chrome	3-6 weeks	6.80 kg	3.676	4.595
Fabric gr. 3	Balder, Moss, Nimbus, Sisu, Skai Parotega Artificial leather*, Sunniva, Svevo, Vidar	HW10	Black, Bronzed, Chrome	3-6 weeks	6.80 kg	3.996	4.995
Fabric gr. 4	Atlas, Gentle, Karakorum, Serafino	HW10	Black, Bronzed, Chrome	3-6 weeks	6.80 kg	4.876	6.095
Leather	Tailor Semi-aniline leather	HW10	Black, Bronzed, Chrome	3-6 weeks	6.80 kg	4.316	5.395
Leather	Noble Aniline leather	HW10	Black, Bronzed, Chrome	3-6 weeks	6.80 kg	4.556	5.695
Leather	Elmosoft Semi-aniline leather	HW10	Black, Bronzed, Chrome	3-6 weeks	6.80 kg	4.796	5.995
Fabric COM	COM Fabric	HW10	Black, Bronzed, Chrome	3-6 weeks	6.80 kg	3.276	4.095

Price group	Seat Upholstery	Lead time	PRICE EX. VAT (SEK)	PRICE INC. VAT (SEK)
Fabric gr. 1	Canvas, Linara, Remix, Re-Wool	3-6 weeks	1.200	1.500
Fabric gr. 2	Clay, Divina Melange, Duke, Fiord, Hallingdal, Loop, Ritz, Ruskin, Steelcut, Steelcut Trio, Zero	3-6 weeks	1.440	1.800
Fabric gr. 3	Balder, Nimbus, Sisu, Skai Parotega Artificial leather*, Vidar	3-6 weeks	1.920	2.400
Fabric gr. 4	Gentle, Karakorum, Serafino	3-6 weeks	2.400	3.000
Leather	Tailor Semi-aniline leather	3-6 weeks	1.840	2.300
Leather	Noble Aniline leather	3-6 weeks	1.920	2.400
Leather	Elmosoft Semi-aniline leather	3-6 weeks	2.400	3.000
Fabric COM	COM Fabric	3-6 weeks	1.200	1.500

*Skai Parotega Artificial leather:
This product contains 0,1-0,2% C,C-azodi (formamide), CAS no. 123-77-3.

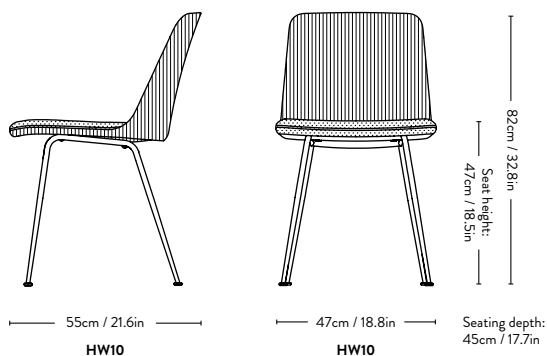
Material: Shell made from 100% recycled polypropylene with fiber glass, covered with HR foam with fabric or leather upholstery, steel tube base.

Fabric usage:
1.9 meter (Shell: 1.2 meters / Seat: 0.7 meter based on a 140 cm roll).
Leather usage: 2.9 square meters (Shell: 2 sqm / Seat: 0.9 sqm) based on a yield of 60% pr hide.

COM must be approved by &Tradition to ensure suitability for upholstery.

Wagner QuickClick felt gliders with interchangeable plastic inserts are installed as standard.

Minimum order quantity of same variant: 4 pcs.



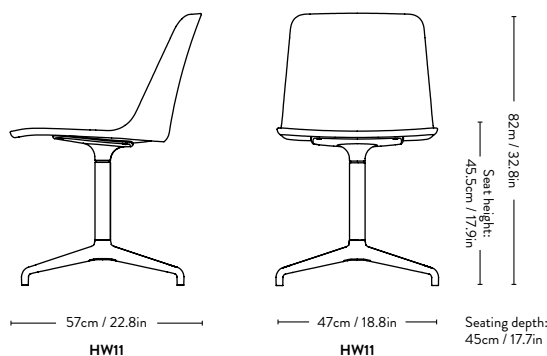
Rely ^{HW11} Hee Welling 2020



Item code	Shell Colour	Model	Base	Lead time	Weight	PRICE EX. VAT (SEK)	PRICE INC. VAT (SEK)
HW	Black	HW11	Black, Bronzed, Polished Aluminium	2-3 weeks	7.80 kg	2.876	3.595
HW	White	HW11	Black, Bronzed, Polished Aluminium	2-3 weeks	7.80 kg	2.876	3.595
HW	Beige Sand	HW11	Black, Bronzed, Polished Aluminium	2-3 weeks	7.80 kg	2.876	3.595
HW	Red Brown	HW11	Black, Bronzed, Polished Aluminium	2-3 weeks	7.80 kg	2.876	3.595
HW	Light Blue	HW11	Black, Bronzed, Polished Aluminium	2-3 weeks	7.80 kg	2.876	3.595
HW	Stone Grey	HW11	Black, Bronzed, Polished Aluminium	2-3 weeks	7.80 kg	2.876	3.595
HW	Vermilion red NEW	HW11	Black, Bronzed, Polished Aluminium	2-3 weeks	7.80 kg	2.876	3.595
HW	Bronze green NEW	HW11	Black, Bronzed, Polished Aluminium	2-3 weeks	7.80 kg	2.876	3.595
HW	Soft Pink NEW	HW11	Black, Bronzed, Polished Aluminium	2-3 weeks	7.80 kg	2.876	3.595

Material: Shell made from 100% recycled polypropylene with fiber glass and an aluminium swivel base.

Plastic gliders installed as standard.
Felt gliders available upon request.



Rely ^{HW12} Hee Welling 2020



Price group	Shell Colour	Seat Cushion Upholstery	Base	Lead time	Weight	PRICE EX. VAT (SEK)	PRICE INC. VAT (SEK)
Fabric gr. 1	Black, White, Beige Sand, Red Brown, Light Blue, Stone Grey, Vermilion red, Bronze green, Soft Pink NEW	Canvas, Linara, Maple, Remix, Re-Wool	Black, Bronzed, Polished Aluminium	3-6 weeks	9.10 kg	4.316	5.395
Fabric gr. 2	Black, White, Beige Sand, Red Brown, Light Blue, Stone Grey, Vermilion red, Bronze green, Soft Pink NEW	Clay, Divina Melange, Duke, Fiord, Hallingdal, Loop, Ritz, Ruskin, Steelcut, Steelcut Trio, Zero	Black, Bronzed, Polished Aluminium	3-6 weeks	9.10 kg	4.716	5.895
Fabric gr. 3	Black, White, Beige Sand, Red Brown, Light Blue, Stone Grey, Vermilion red, Bronze green, Soft Pink NEW	Balder, Moss, Nimbus, Sisu, Skai, Parotega Artificial leather*, Sunniva, Svevo, Vidar	Black, Bronzed, Polished Aluminium	3-6 weeks	9.10 kg	5.116	6.395
Fabric gr. 4	Black, White, Beige Sand, Red Brown, Light Blue, Stone Grey, Vermilion red, Bronze green, Soft Pink NEW	Atlas, Gentle, Karakorum, Serafino	Black, Bronzed, Polished Aluminium	3-6 weeks	9.10 kg	5.596	6.995
Leather	Black, White, Beige Sand, Red Brown, Light Blue, Stone Grey, Vermilion red, Bronze green, Soft Pink NEW	Tailor Semi-aniline leather	Black, Bronzed, Polished Aluminium	3-6 weeks	9.10 kg	4.796	5.995
Leather	Black, White, Beige Sand, Red Brown, Light Blue, Stone Grey, Vermilion red, Bronze green, Soft Pink NEW	Noble Aniline leather	Black, Bronzed, Polished Aluminium	3-6 weeks	9.10 kg	5.116	6.395
Leather	Black, White, Beige Sand, Red Brown, Light Blue, Stone Grey, Vermilion red, Bronze green, Soft Pink NEW	Elmosoft Semi-aniline leather	Black, Bronzed, Polished Aluminium	3-6 weeks	9.10 kg	5.516	6.895
Fabric COM	Black, White, Beige Sand, Red Brown, Light Blue, Stone Grey, Vermilion red, Bronze green, Soft Pink NEW	COM Fabric	Black, Bronzed, Polished Aluminium	3-6 weeks	9.10 kg	4.316	5.395

*Skai Parotega Artificial leather:
This product contains 0,1-0,2 % C,C´-azodi (formamide), CAS no. 123-77-3.

Material: Shell made from 100% recycled polypropylene with fiber glass, HR foam seat covered with fabric or leather upholstery, aluminium swivel base.

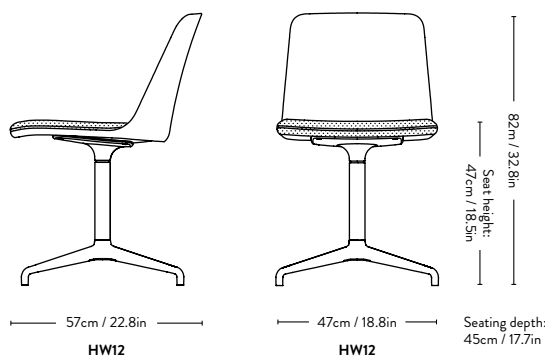
Fabric usage: 0.49 meter based on a 140 cm roll.

Leather usage: 1 square meter based on a yield of 60% pr hide.

COM must be approved by &Tradition to ensure suitability for upholstery.

Plastic gliders installed as standard.

Felt gliders available upon request.



Rely ^{HW13} Hee Welling 2020



Price group	Upholstery	Model	Base	Lead time	Weight	PRICE EX. VAT (SEK)	PRICE INC. VAT (SEK)
Fabric gr. 1	Canvas, Linara, Maple, Remix, Re-Wool	HW13	Black, Bronzed, Polished Aluminium	3-6 weeks	8.30 kg	5.036	6.295
Fabric gr. 2	Clay, Divina Melange, Duke, Fiord, Hallingdal, Loop, Ritz, Ruskin, Steelcut, Steelcut Trio, Zero	HW13	Black, Bronzed, Polished Aluminium	3-6 weeks	8.30 kg	5.676	7.095
Fabric gr. 3	Balder, Nimbus, Sisu, Skai Parotega Artificial leather*, Sunniva, Svevo, Vidar	HW13	Black, Bronzed, Polished Aluminium	3-6 weeks	8.30 kg	6.476	8.095
Fabric gr. 4	Atlas, Gentle, Karakorum, Serafino	HW13	Black, Bronzed, Polished Aluminium	3-6 weeks	8.30 kg	7.916	9.895
Leather	Tailor Semi-aniline leather	HW13	Black, Bronzed, Polished Aluminium	3-6 weeks	8.30 kg	6.716	8.395
Leather	Noble Aniline leather	HW13	Black, Bronzed, Polished Aluminium	3-6 weeks	8.30 kg	7.116	8.895
Leather	Elmosoft Semi-aniline leather	HW13	Black, Bronzed, Polished Aluminium	3-6 weeks	8.30 kg	7.676	9.595
Fabric COM	COM Fabric	HW13	Black, Bronzed, Polished Aluminium	3-6 weeks	8.30 kg	5.036	6.295

*Skai Parotega Artificial leather:
This product contains 0,1-0,2 % C,C'-azodi (formamide), CAS no. 123-77-3.

Material: Shell made from 100% recycled polypropylene with fiber glass, covered in HR foam with fabric or leather upholstery, aluminium swivel base.

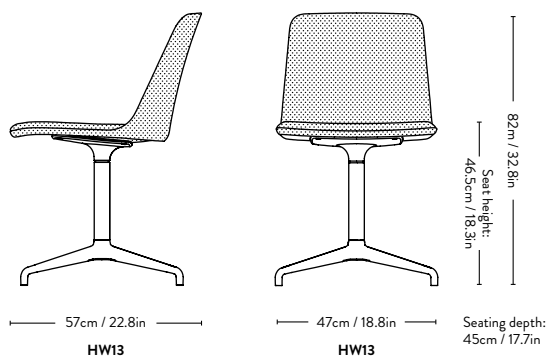
Fabric usage: 1.40 meters based on a 140cm roll.

Leather usage: 2.2 square meters based on a yield of 60% pr hide.

COM must be approved by &Tradition to ensure suitability for upholstery.

Plastic gliders installed as standard.

Felt gliders available upon request.



Rely ^{HW14} Hee Welling 2020



Price group	Upholstery	Model	Base	Lead time	Weight	PRICE EX. VAT (SEK)	PRICE INC. VAT (SEK)
Fabric gr. 1	Canvas, Linara, Maple, Remix, Re-Wool	HW14	Black, Bronzed, Polished Aluminium	3-6 weeks	9.40 kg	5.276	6.595
Fabric gr. 2	Clay, Divina Melange, Duke, Fiord, Hallingdal, Loop, Ritz, Ruskin, Steelcut, Steelcut Trio, Zero	HW14	Black, Bronzed, Polished Aluminium	3-6 weeks	9.40 kg	5.916	7.395
Fabric gr. 3	Balder, Moss, Nimbus, Sisu, Skai Parotega Artificial leather*, Sunniva, Svevo, Vidar	HW14	Black, Bronzed, Polished Aluminium	3-6 weeks	9.40 kg	6.716	8.395
Fabric gr. 4	Atlas, Gentle, Karakorum, Serafino	HW14	Black, Bronzed, Polished Aluminium	3-6 weeks	9.40 kg	8.156	10.195
Leather	Tailor Semi-aniline leather	HW14	Black, Bronzed, Polished Aluminium	3-6 weeks	9.40 kg	6.956	8.695
Leather	Noble Aniline leather	HW14	Black, Bronzed, Polished Aluminium	3-6 weeks	9.40 kg	7.276	9.095
Leather	Elmosoft Semi-aniline leather	HW14	Black, Bronzed, Polished Aluminium	3-6 weeks	9.40 kg	8.156	10.195
Fabric COM	COM Fabric	HW14	Black, Bronzed, Polished Aluminium	3-6 weeks	9.40 kg	5.276	6.595

*Skai Parotega Artificial leather:
This product contains 0,1-0,2 % C,C'-azodi (formamide), CAS no. 123-77-3.

Material: Shell made from 100% recycled polypropylene with fiber glass, covered in HR foam with fabric or leather upholstery, aluminium swivel base.

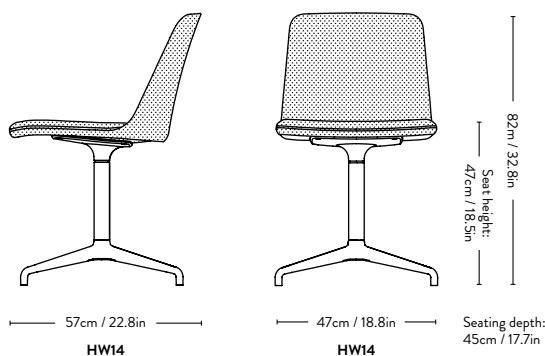
Fabric usage: 1.8 meters based on a 140cm roll.

Leather usage: 2.7 square meters based on a yield of 60% pr hide.

COM must be approved by &Tradition to ensure suitability for upholstery.

Plastic gliders installed as standard.

Felt gliders available upon request.



Rely HW15 Hee Welling 2020



Please note that price is accumulated price of shell & seat.

Price group	Shell Upholstery	Base	Lead time	Weight	PRICE EX. VAT (SEK)	PRICE INC. VAT (SEK)
Fabric gr. 1	Canvas, Linara, Maple, Remix, Re-Wool	Black, Bronzed, Polished Aluminium	3-6 weeks	9.40 kg	4.076	5.095
Fabric gr. 2	Clay, Divina Melange, Duke, Fiord, Hallingdal, Loop, Ritz, Ruskin, Steelcut, Steelcut Trio, Zero	Black, Bronzed, Polished Aluminium	3-6 weeks	9.40 kg	4.476	5.595
Fabric gr. 3	Balder, Moss, Nimbus, Sisu, Skai Parotega Artificial leather*, Sunniva, Svevo, Vidar	Black, Bronzed, Polished Aluminium	3-6 weeks	9.40 kg	4.796	5.995
Fabric gr. 4	Atlas, Gentle, Karakorum, Serafino	Black, Bronzed, Polished Aluminium	3-6 weeks	9.40 kg	5.756	7.195
Leather	Tailor Semi-aniline leather	Black, Bronzed, Polished Aluminium	3-6 weeks	9.40 kg	5.116	6.395
Leather	Noble Aniline leather	Black, Bronzed, Polished Aluminium	3-6 weeks	9.40 kg	5.356	6.695
Leather	Elmosoft Semi-aniline leather	Black, Bronzed, Polished Aluminium	3-6 weeks	9.40 kg	5.756	7.195
Fabric COM	COM Fabric	Black, Bronzed, Polished Aluminium	3-6 weeks	9.40 kg	4.076	5.095

Price group	Seat Upholstery	Lead time	PRICE EX. VAT (SEK)	PRICE INC. VAT (SEK)
Fabric gr. 1	Canvas, Linara, Remix, Re-Wool	3-6 weeks	1.200	1.500
Fabric gr. 2	Clay, Divina Melange, Duke, Fiord, Hallingdal, Loop, Ritz, Ruskin, Steelcut, Steelcut Trio, Zero	3-6 weeks	1.440	1.800
Fabric gr. 3	Balder, Nimbus, Sisu, Skai Parotega Artificial leather*, Vidar	3-6 weeks	1.920	2.400
Fabric gr. 4	Gentle, Karakorum, Serafino	3-6 weeks	2.400	3.000
Leather	Tailor Semi-aniline leather	3-6 weeks	1.840	2.300
Leather	Noble Aniline leather	3-6 weeks	1.920	2.400
Leather	Elmosoft Semi-aniline leather	3-6 weeks	2.400	3.000
Fabric COM	COM Fabric	3-6 weeks	1.200	1.500

*Skai Parotega Artificial leather:
This product contains 0,1-0,2 % C,C´-azodi (formamide), CAS no. 123-77-3.

Material: Shell made from 100% recycled polypropylene with fiber glass, covered in HR foam with fabric or leather upholstery, aluminium swivel base.

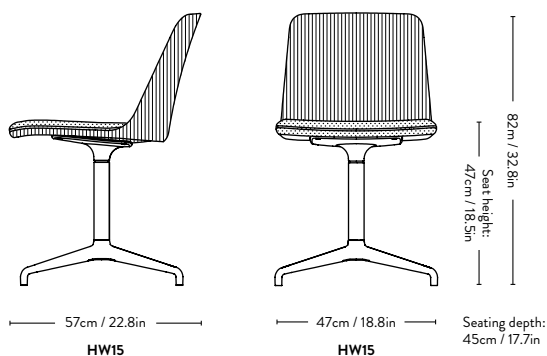
Fabric usage: 1.9 meter (Shell: 1.2 meters / Seat: 0.7 meter).

Leather usage: 2.9 square meters (Shell: 2 sqm / Seat: 0.9 sqm) based on a yield of 60% pr hide.

COM must be approved by &Tradition to ensure suitability for upholstery.

Plastic gliders installed as standard.
Felt gliders available upon request.

Minimum order quantity of same variant: 4 pcs.



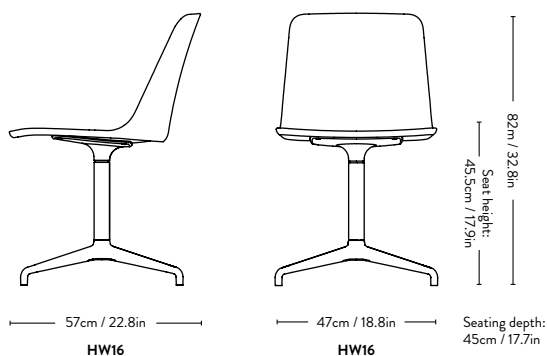
Rely ^{HW16} Hee Welling 2020



Item code	Shell Colour	Model	Base	Lead time	Weight	PRICE EX. VAT (SEK)	PRICE INC. VAT (SEK)
HW	Black	HW16	Black, Bronzed, Polished Aluminium	2-3 weeks	7.80 kg	3.276	4.095
HW	White	HW16	Black, Bronzed, Polished Aluminium	2-3 weeks	7.80 kg	3.276	4.095
HW	Beige Sand	HW16	Black, Bronzed, Polished Aluminium	2-3 weeks	7.80 kg	3.276	4.095
HW	Red Brown	HW16	Black, Bronzed, Polished Aluminium	2-3 weeks	7.80 kg	3.276	4.095
HW	Light Blue	HW16	Black, Bronzed, Polished Aluminium	2-3 weeks	7.80 kg	3.276	4.095
HW	Stone Grey	HW16	Black, Bronzed, Polished Aluminium	2-3 weeks	7.80 kg	3.276	4.095
HW	Vermilion red NEW	HW16	Black, Bronzed, Polished Aluminium	2-3 weeks	7.80 kg	3.276	4.095
HW	Bronze green NEW	HW16	Black, Bronzed, Polished Aluminium	2-3 weeks	7.80 kg	3.276	4.095
HW	Soft Pink NEW	HW16	Black, Bronzed, Polished Aluminium	2-3 weeks	7.80 kg	3.276	4.095

Material: Shell made from 100% recycled polypropylene with fiber glass, aluminium swivel base with return.

Plastic gliders installed as standard.
Felt gliders available upon request.



Rely ^{HW17} Hee Welling 2020



Price group	Shell Colour	Seat Cushion Upholstery	Base	Lead time	Weight	PRICE EX. VAT (SEK)	PRICE INC. VAT (SEK)
Fabric gr. 1	Black, White, Beige Sand, Red Brown, Light Blue, Stone Grey, Vermilion red, Bronze green, Soft Pink NEW	Canvas, Linara, Maple, Remix, Re-Wool	Black, Bronzed, Polished Aluminium	3-6 weeks	9.10 kg	4.796	5.995
Fabric gr. 2	Black, White, Beige Sand, Red Brown, Light Blue, Stone Grey, Vermilion red, Bronze green, Soft Pink NEW	Clay, Divina Melange, Duke, Fiord, Hallingdal, Loop, Ritz, Ruskin, Steelcut, Steelcut Trio, Zero	Black, Bronzed, Polished Aluminium	3-6 weeks	9.10 kg	5.116	6.395
Fabric gr. 3	Black, White, Beige Sand, Red Brown, Light Blue, Stone Grey, Vermilion red, Bronze green, Soft Pink NEW	Balder, Moss, Nimbus, Sisu, Skai, Parotega Artificial leather*, Sunniva, Svevo, Vidar	Black, Bronzed, Polished Aluminium	3-6 weeks	9.10 kg	5.596	6.995
Fabric gr. 4	Black, White, Beige Sand, Red Brown, Light Blue, Stone Grey, Vermilion red, Bronze green, Soft Pink NEW	Atlas, Gentle, Karakorum, Serafino	Black, Bronzed, Polished Aluminium	3-6 weeks	9.10 kg	6.076	7.595
Leather	Black, White, Beige Sand, Red Brown, Light Blue, Stone Grey, Vermilion red, Bronze green, Soft Pink NEW	Tailor Semi-aniline leather	Black, Bronzed, Polished Aluminium	3-6 weeks	9.10 kg	5.276	6.595
Leather	Black, White, Beige Sand, Red Brown, Light Blue, Stone Grey, Vermilion red, Bronze green, Soft Pink NEW	Noble Aniline leather	Black, Bronzed, Polished Aluminium	3-6 weeks	9.10 kg	5.596	6.995
Leather	Black, White, Beige Sand, Red Brown, Light Blue, Stone Grey, Vermilion red, Bronze green, Soft Pink NEW	Elmosoft Semi-aniline leather	Black, Bronzed, Polished Aluminium	3-6 weeks	9.10 kg	5.916	7.395
Fabric COM	Black, White, Beige Sand, Red Brown, Light Blue, Stone Grey, Vermilion red, Bronze green, Soft Pink NEW	COM Fabric	Black, Bronzed, Polished Aluminium	3-6 weeks	9.10 kg	4.796	5.995

*Skai Parotega Artificial leather:
This product contains 0,1-0,2 % C,C´ -azodi (formamide), CAS no. 123-77-3.

Material: Shell made from 100% recycled polypropylene with fiber glass, seat covered in HR foam with fabric or leather upholstery, aluminium swivel base with return function.

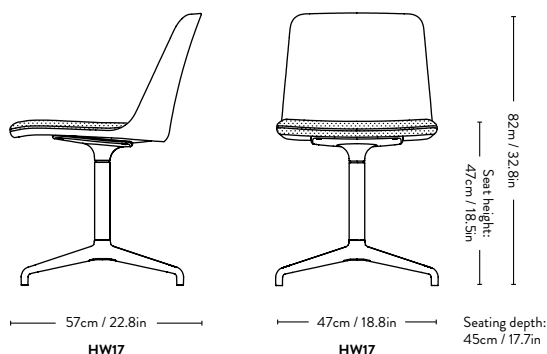
Fabric usage: 0.49 meter based on a 140 cm roll.

Leather usage: 1 square meter based on a yield of 60% pr hide.

COM must be approved by &Tradition to ensure suitability for upholstery.

Plastic gliders installed as standard.

Felt gliders available upon request.



Rely HW18

Hee Welling

2020



	Upholstery	Model	Base	Lead time	Weight	PRICE EX. VAT (SEK)	PRICE INC. VAT (SEK)
Fabric gr. 1	Canvas, Linara, Maple, Remix, Re-Wool	HW18	Black, Bronzed, Polished Aluminium	3-6 weeks	8.30 kg	5.516	6.895
Fabric gr. 2	Clay, Divina Melange, Duke, Fiord, Hallingdal, Loop, Ritz, Ruskin, Steelcut, Steelcut Trio, Zero	HW18	Black, Bronzed, Polished Aluminium	3-6 weeks	8.30 kg	6.156	7.695
Fabric gr. 3	Balder, Moss, Nimbus, Sisu, Skai Parotega Artificial leather*, Sunniva, Svevo, Vidar	HW18	Black, Bronzed, Polished Aluminium	3-6 weeks	8.30 kg	6.956	8.695
Fabric gr. 4	Atlas, Gentle, Karakorum, Serafino	HW18	Black, Bronzed, Polished Aluminium	3-6 weeks	8.30 kg	8.316	10.395
Leather	Tailor Semi-aniline leather	HW18	Black, Bronzed, Polished Aluminium	3-6 weeks	8.30 kg	7.196	8.995
Leather	Noble Aniline leather	HW18	Black, Bronzed, Polished Aluminium	3-6 weeks	8.30 kg	7.516	9.395
Leather	Elmosoft Semi-aniline leather	HW18	Black, Bronzed, Polished Aluminium	3-6 weeks	8.30 kg	7.996	9.995
Fabric COM	COM Fabric	HW18	Black, Bronzed, Polished Aluminium	3-6 weeks	8.30 kg	5.516	6.895

*Skai Parotega Artificial leather:
This product contains 0,1-0,2 % C,C'-azodi (formamide), CAS no. 123-77-3.

Material: Shell made from 100% recycled polypropylene with fiber glass, covered in HR foam with fabric or leather upholstery, aluminium swivel base with return function.

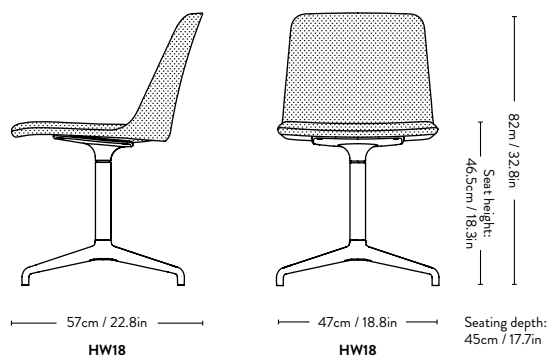
Fabric usage: 1.40 meters based on a 140cm roll.

Leather usage: 2.2 square meters based on a yield of 60% pr hide.

COM must be approved by &Tradition to ensure suitability for upholstery.

Plastic gliders installed as standard.

Felt gliders available upon request.



Rely HW19 Hee Welling 2020



	Upholstery	Model	Base	Lead time	Weight	PRICE EX. VAT (SEK)	PRICE INC. VAT (SEK)
Fabric gr. 1	Canvas, Linara, Maple, Remix, Re-Wool	HW19	Black, Bronzed, Polished Aluminium	3-6 weeks	9.40 kg	5.676	7.095
Fabric gr. 2	Clay, Divina Melange, Duke, Fiord, Hallingdal, Loop, Ritz, Ruskin, Steelcut, Steelcut Trio, Zero	HW19	Black, Bronzed, Polished Aluminium	3-6 weeks	9.40 kg	6.396	7.995
Fabric gr. 3	Balder, Moss, Nimbus, Sisu, Skai Parotega Artificial leather*, Sunniva, Svevo, Vidar	HW19	Black, Bronzed, Polished Aluminium	3-6 weeks	9.40 kg	7.196	8.995
Fabric gr. 4	Atlas, Gentle, Karakorum, Serafino	HW19	Black, Bronzed, Polished Aluminium	3-6 weeks	9.40 kg	8.556	10.695
Leather	Tailor Semi-aniline leather	HW19	Black, Bronzed, Polished Aluminium	3-6 weeks	9.40 kg	7.436	9.295
Leather	Noble Aniline leather	HW19	Black, Bronzed, Polished Aluminium	3-6 weeks	9.40 kg	7.756	9.695
Leather	Elmosoft Semi-aniline leather	HW19	Black, Bronzed, Polished Aluminium	3-6 weeks	9.40 kg	8.556	10.695
Fabric COM	COM Fabric	HW19	Black, Bronzed, Polished Aluminium	3-6 weeks	9.40 kg	5.676	7.095

*Skai Parotega Artificial leather:
This product contains 0,1-0,2% C,C'-azodi (formamide), CAS no. 123-77-3.

Material: Shell made from 100% recycled polypropylene with fiber glass, covered in HR foam with fabric or leather upholstery, aluminium swivel base with return function.

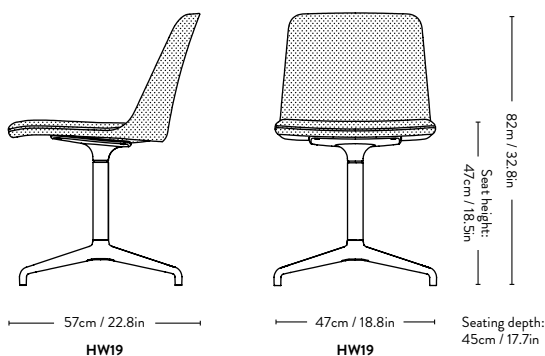
Fabric usage: 1.8 meters based on a 140cm roll.

Leather usage: 2.7 square meters based on a yield of 60% pr hide.

COM must be approved by &Tradition to ensure suitability for upholstery.

Plastic gliders installed as standard.

Felt gliders available upon request.



Rely ^{HW20} Hee Welling 2020



Please note that price is accumulated price of shell & seat.

Price group	Shell Upholstery	Base	Lead time	Weight	PRICE EX. VAT (SEK)	PRICE INC. VAT (SEK)
Fabric gr. 1	Canvas, Linara, Maple, Remix, Re-Wool	Black, Bronzed, Polished Aluminium	3-6 weeks	9.40 kg	4.476	5.595
Fabric gr. 2	Clay, Divina Melange, Duke, Fiord, Hallingdal, Loop, Ritz, Ruskin, Steelcut, Steelcut Trio, Zero	Black, Bronzed, Polished Aluminium	3-6 weeks	9.40 kg	4.956	6.195
Fabric gr. 3	Balder, Moss, Nimbus, Sisu, Skai Parotega Artificial leather*, Sunniva, Svevo, Vidar	Black, Bronzed, Polished Aluminium	3-6 weeks	9.40 kg	5.276	6.595
Fabric gr. 4	Atlas, Gentle, Karakorum, Serafino	Black, Bronzed, Polished Aluminium	3-6 weeks	9.40 kg	6.156	7.695
Leather	Tailor Semi-aniline leather	Black, Bronzed, Polished Aluminium	3-6 weeks	9.40 kg	5.596	6.995
Leather	Noble Aniline leather	Black, Bronzed, Polished Aluminium	3-6 weeks	9.40 kg	5.836	7.295
Leather	Elmosoft Semi-aniline leather	Black, Bronzed, Polished Aluminium	3-6 weeks	9.40 kg	6.156	7.695
Fabric COM	COM Fabric	Black, Bronzed, Polished Aluminium	3-6 weeks	9.40 kg	4.476	5.595

Price group	Seat Upholstery	Lead time	PRICE EX. VAT (SEK)	PRICE INC. VAT (SEK)
Fabric gr. 1	Canvas, Linara, Maple, Remix, Re-Wool	3-6 weeks	1.200	1.500
Fabric gr. 2	Clay, Divina Melange, Duke, Fiord, Hallingdal, Loop, Ritz, Ruskin, Steelcut, Steelcut Trio, Zero	3-6 weeks	1.440	1.800
Fabric gr. 3	Balder, Moss, Nimbus, Sisu, Skai Parotega Artificial leather*, Sunniva, Svevo, Vidar	3-6 weeks	1.920	2.400
Fabric gr. 4	Atlas, Gentle, Karakorum, Serafino	3-6 weeks	2.400	3.000
Leather	Tailor Semi-aniline leather	3-6 weeks	1.840	2.300
Leather	Noble Aniline leather	3-6 weeks	1.920	2.400
Leather	Elmosoft Semi-aniline leather	3-6 weeks	2.400	3.000
Fabric COM	COM Fabric	3-6 weeks	1.200	1.500

*Skai Parotega Artificial leather:
This product contains 0,1-0,2 % C,C'-azodi (formamide), CAS no. 123-77-3.

Material: Shell made from 100% recycled polypropylene with fiber glass, covered in HR foam with fabric or leather upholstery, aluminium swivel base with return function.

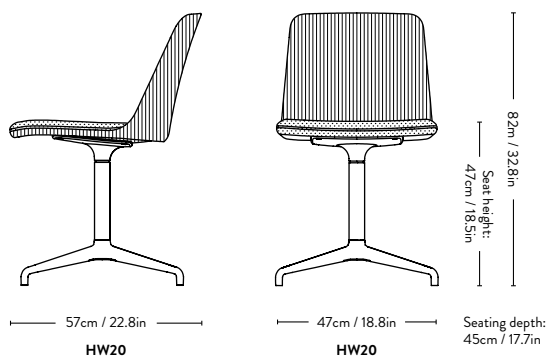
Fabric usage: 1.9 meter (Shell: 1.2 meters / Seat: 0.7 meter).

Leather usage: 2.9 square meters (Shell: 2 sqm / Seat: 0.9 sqm) based on a yield of 60% pr hide.

COM must be approved by &Tradition to ensure suitability for upholstery.

Plastic gliders installed as standard.
Felt gliders available upon request.

Minimum order quantity of same variant: 4 pcs.

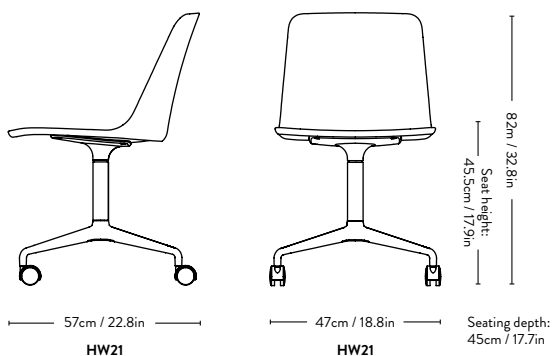


Rely ^{HW21} Hee Welling 2020



Item code	Shell Colour	Model	Base	Lead time	Weight	PRICE EX. VAT (SEK)	PRICE INC. VAT (SEK)
HW	Black	HW21	Black, Bronzed, Polished Aluminium	2-3 weeks	7.80 kg	3.276	4.095
HW	White	HW21	Black, Bronzed, Polished Aluminium	2-3 weeks	7.80 kg	3.276	4.095
HW	Beige Sand	HW21	Black, Bronzed, Polished Aluminium	2-3 weeks	7.80 kg	3.276	4.095
HW	Red Brown	HW21	Black, Bronzed, Polished Aluminium	2-3 weeks	7.80 kg	3.276	4.095
HW	Light Blue	HW21	Black, Bronzed, Polished Aluminium	2-3 weeks	7.80 kg	3.276	4.095
HW	Stone Grey	HW21	Black, Bronzed, Polished Aluminium	2-3 weeks	7.80 kg	3.276	4.095
HW	Vermilion red NEW	HW21	Black, Bronzed, Polished Aluminium	2-3 weeks	7.80 kg	3.276	4.095
HW	Bronze green NEW	HW21	Black, Bronzed, Polished Aluminium	2-3 weeks	7.80 kg	3.276	4.095
HW	Soft Pink NEW	HW21	Black, Bronzed, Polished Aluminium	2-3 weeks	7.80 kg	3.276	4.095

Material: Shell made from 100% recycled polypropylene with fiber glass, aluminium swivel base with castors.



Rely ^{HW22} Hee Welling 2020



Price group	Shell Colour	Seat Cushion Upholstery	Base	Lead time	Weight	PRICE EX. VAT (SEK)	PRICE INC. VAT (SEK)
Fabric gr. 1	Black, White, Beige Sand, Red Brown, Light Blue, Stone Grey, Vermilion red, Bronze green, Soft Pink NEW	Canvas, Linara, Maple, Remix, Re-Wool	Black, Bronzed, Polished Aluminium	3-6 weeks	9.10 kg	4.796	5.995
Fabric gr. 2	Black, White, Beige Sand, Red Brown, Light Blue, Stone Grey, Vermilion red, Bronze green, Soft Pink NEW	Clay, Divina Melange, Duke, Fiord, Hallingdal, Loop, Ritz, Ruskin, Steelcut, Steelcut Trio, Zero	Black, Bronzed, Polished Aluminium	3-6 weeks	9.10 kg	5.116	6.395
Fabric gr. 3	Black, White, Beige Sand, Red Brown, Light Blue, Stone Grey, Vermilion red, Bronze green, Soft Pink NEW	Balder, Moss, Nimbus, Sisu, Skai, Parotega Artificial leather*, Sunniva, Svevo, Vidar	Black, Bronzed, Polished Aluminium	3-6 weeks	9.10 kg	5.596	6.995
Fabric gr. 4	Black, White, Beige Sand, Red Brown, Light Blue, Stone Grey, Vermilion red, Bronze green, Soft Pink NEW	Atlas, Gentle, Karakorum, Serafino	Black, Bronzed, Polished Aluminium	3-6 weeks	9.10 kg	6.076	7.595
Leather	Black, White, Beige Sand, Red Brown, Light Blue, Stone Grey, Vermilion red, Bronze green, Soft Pink NEW	Tailor Semi-aniline leather	Black, Bronzed, Polished Aluminium	3-6 weeks	9.10 kg	5.276	6.595
Leather	Black, White, Beige Sand, Red Brown, Light Blue, Stone Grey, Vermilion red, Bronze green, Soft Pink NEW	Noble Aniline leather	Black, Bronzed, Polished Aluminium	3-6 weeks	9.10 kg	5.596	6.995
Leather	Black, White, Beige Sand, Red Brown, Light Blue, Stone Grey, Vermilion red, Bronze green, Soft Pink NEW	Elmosoft Semi-aniline leather	Black, Bronzed, Polished Aluminium	3-6 weeks	9.10 kg	5.916	7.395
Fabric COM	Black, White, Beige Sand, Red Brown, Light Blue, Stone Grey, Vermilion red, Bronze green, Soft Pink NEW	COM Fabric	Black, Bronzed, Polished Aluminium	3-6 weeks	9.10 kg	4.796	5.995

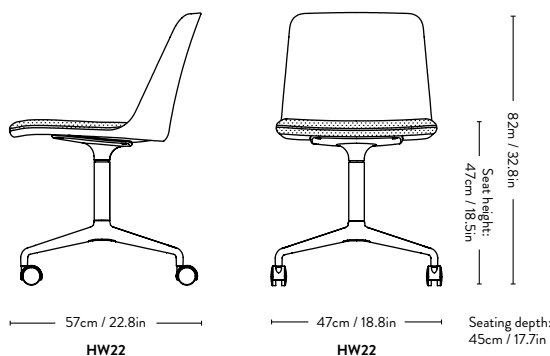
*Skai Parotega Artificial leather:
This product contains 0,1-0,2 % C,C'-azodi (formamide), CAS no. 123-77-3.

Material: Shell made from 100% recycled polypropylene with fiber glass, seat covered in HR foam with fabric or leather upholstery, aluminium swivel base with castors.

Fabric usage: 0.49 meter

Leather usage: 1 square meter based on a yield of 60% pr hide.

COM must be approved by &Tradition to ensure suitability for upholstery.



Rely HW23 Hee Welling 2020



	Upholstery	Model	Base	Lead time	Weight	PRICE EX. VAT (SEK)	PRICE INC. VAT (SEK)
Fabric gr. 1	Canvas, Linara, Maple, Remix, Re-Wool	HW23	Black, Bronzed, Polished Aluminium	3-6 weeks	8.30 kg	5.516	6.895
Fabric gr. 2	Clay, Divina Melange, Duke, Fiord, Hallingdal, Loop, Ritz, Ruskin, Steelcut, Steelcut Trio, Zero	HW23	Black, Bronzed, Polished Aluminium	3-6 weeks	8.30 kg	6.156	7.695
Fabric gr. 3	Balder, Moss, Nimbus, Sisu, Skai Parotega Artificial leather*, Sunniva, Svevo, Vidar	HW23	Black, Bronzed, Polished Aluminium	3-6 weeks	8.30 kg	6.956	8.695
Fabric gr. 4	Atlas, Gentle, Karakorum, Serafino	HW23	Black, Bronzed, Polished Aluminium	3-6 weeks	8.30 kg	8.316	10.395
Leather	Tailor Semi-aniline leather	HW23	Black, Bronzed, Polished Aluminium	3-6 weeks	8.30 kg	7.196	8.995
Leather	Noble Aniline leather	HW23	Black, Bronzed, Polished Aluminium	3-6 weeks	8.30 kg	7.516	9.395
Leather	Elmosoft Semi-aniline leather	HW23	Black, Bronzed, Polished Aluminium	3-6 weeks	8.30 kg	8.156	10.195
Fabric COM	COM Fabric	HW23	Black, Bronzed, Polished Aluminium	3-6 weeks	8.30 kg	5.516	6.895

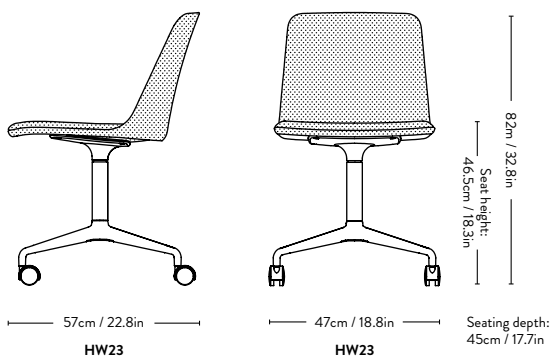
*Skai Parotega Artificial leather:
This product contains 0,1-0,2 % C,C'-azodi (formamide), CAS no. 123-77-3.

Material: Shell made from 100% recycled polypropylene with fiber glass, covered in HR foam with fabric or leather upholstery, aluminium swivel base with castors.

Fabric usage: 1.40 meters based on a 140cm roll.

Leather usage: 2.2 square meters based on a yield of 60% pr hide.

COM must be approved by &Tradition to ensure suitability for upholstery.



Rely ^{HW24} Hee Welling 2020



	Upholstery	Model	Base	Lead time	Weight	PRICE EX. VAT (SEK)	PRICE INC. VAT (SEK)
Fabric gr. 1	Canvas, Linara, Maple, Remix, Re-Wool	HW24	Black, Bronzed, Polished Aluminium	3-6 weeks	9.40 kg	5.676	7.095
Fabric gr. 2	Clay, Divina Melange, Duke, Fiord, Hallingdal, Loop, Ritz, Ruskin, Steelcut, Steelcut Trio, Zero	HW24	Black, Bronzed, Polished Aluminium	3-6 weeks	9.40 kg	6.396	7.995
Fabric gr. 3	Balder, Moss, Nimbus, Sisu, Skai Parotega Artificial leather*, Sunniva, Svevo, Vidar	HW24	Black, Bronzed, Polished Aluminium	3-6 weeks	9.40 kg	7.196	8.995
Fabric gr. 4	Atlas, Gentle, Karakorum, Serafino	HW24	Black, Bronzed, Polished Aluminium	3-6 weeks	9.40 kg	8.556	10.695
Leather	Tailor Semi-aniline leather	HW24	Black, Bronzed, Polished Aluminium	3-6 weeks	9.40 kg	7.436	9.295
Leather	Noble Aniline leather	HW24	Black, Bronzed, Polished Aluminium	3-6 weeks	9.40 kg	7.756	9.695
Leather	Elmosoft Semi-aniline leather	HW24	Black, Bronzed, Polished Aluminium	3-6 weeks	9.40 kg	8.556	10.695
Fabric COM	COM Fabric	HW24	Black, Bronzed, Polished Aluminium	3-6 weeks	9.40 kg	5.676	7.095

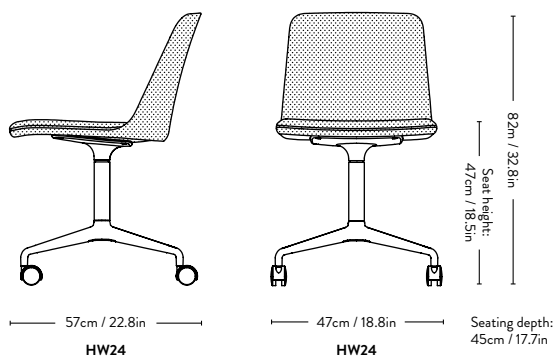
*Skai Parotega Artificial leather:
This product contains 0,1-0,2 % C,C´-azodi (formamide), CAS no. 123-77-3.

Material: Shell made from 100% recycled polypropylene with fiber glass, covered in HR foam with fabric or leather upholstery, aluminium swivel base with castors.

Fabric usage: 1.8 meters based on a 140cm roll.

Leather usage: 2.7 square meters based on a yield of 60% pr hide.

COM must be approved by &Tradition to ensure suitability for upholstery.



Rely ^{HW25} Hee Welling 2020



Please note that price is accumulated price of shell & seat.

Price group	Shell Upholstery	Base	Lead time	Weight	PRICE EX. VAT (SEK)	PRICE INC. VAT (SEK)
Fabric gr. 1	Canvas, Linara, Maple, Remix, Re-Wool	Black, Bronzed, Polished Aluminium	3-6 weeks	9.40 kg	4.476	5.595
Fabric gr. 2	Clay, Divina Melange, Duke, Fiord, Hallingdal, Loop, Ritz, Ruskin, Steelcut, Steelcut Trio, Zero	Black, Bronzed, Polished Aluminium	3-6 weeks	9.40 kg	4.956	6.195
Fabric gr. 3	Balder, Moss, Nimbus, Sisu, Skai Parotega Artificial leather*, Sunniva, Svevo, Vidar	Black, Bronzed, Polished Aluminium	3-6 weeks	9.40 kg	5.276	6.595
Fabric gr. 4	Atlas, Gentle, Karakorum, Serafino	Black, Bronzed, Polished Aluminium	3-6 weeks	9.40 kg	6.156	7.695
Leather	Tailor Semi-aniline leather	Black, Bronzed, Polished Aluminium	3-6 weeks	9.40 kg	5.596	6.995
Leather	Noble Aniline leather	Black, Bronzed, Polished Aluminium	3-6 weeks	9.40 kg	5.836	7.295
Leather	Elmosoft Semi-aniline leather	Black, Bronzed, Polished Aluminium	3-6 weeks	9.40 kg	6.156	7.695
Fabric COM	COM Fabric	Black, Bronzed, Polished Aluminium	3-6 weeks	9.40 kg	4.476	5.595

Price group	Seat Upholstery	Lead time	PRICE EX. VAT (SEK)	PRICE INC. VAT (SEK)
Fabric gr. 1	Canvas, Linara, Maple, Remix, Re-Wool	3-6 weeks	1.200	1.500
Fabric gr. 2	Clay, Divina Melange, Duke, Fiord, Hallingdal, Loop, Ritz, Ruskin, Steelcut, Steelcut Trio, Zero	3-6 weeks	1.440	1.800
Fabric gr. 3	Balder, Moss, Nimbus, Sisu, Skai Parotega Artificial leather*, Sunniva, Svevo, Vidar	3-6 weeks	1.920	2.400
Fabric gr. 4	Atlas, Gentle, Karakorum, Serafino	3-6 weeks	2.400	3.000
Leather	Tailor Semi-aniline leather	3-6 weeks	1.840	2.300
Leather	Noble Aniline leather	3-6 weeks	1.920	2.400
Leather	Elmosoft Semi-aniline leather	3-6 weeks	2.400	3.000
Fabric COM	COM Fabric	3-6 weeks	1.200	1.500

*Skai Parotega Artificial leather:

This product contains 0,1-0,2 % C,C'-azodi (formamide), CAS no. 123-77-3.

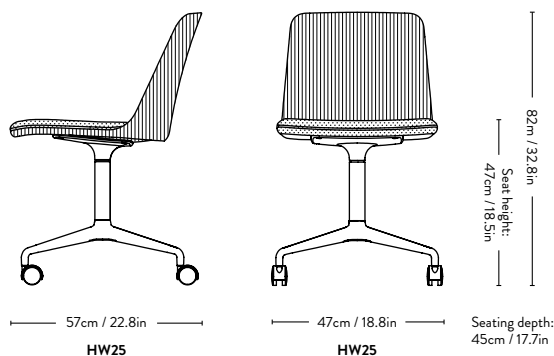
Material: Shell made from 100% recycled polypropylene with fiber glass, covered in HR foam with fabric or leather upholstery, aluminium swivel base with castors.

Fabric usage: 1.9 meter (Shell: 1.2 meters / Seat: 0.7 meter).

Leather usage: 2.9 square meters (Shell: 2 sqm / Seat: 0.9 sqm) based on a yield of 60% pr hide.

COM must be approved by &Tradition to ensure suitability for upholstery.

Minimum order quantity of same variant: 4 pcs.



Rely ^{HW26} Hee Welling 2020

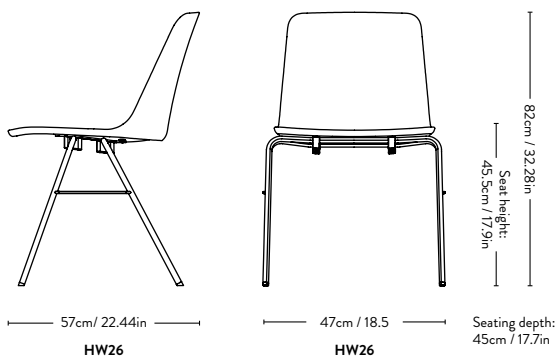


Item code	Shell Colour	Model	Base	Lead time	Weight	PRICE EX. VAT (SEK)	PRICE INC. VAT (SEK)
HW	Black	HW26	Chrome, Black	2-3 weeks	5.20 kg	2.076	2.595
HW	White	HW26	Chrome, Black	2-3 weeks	5.20 kg	2.076	2.595
HW	Beige Sand	HW26	Chrome, Black	2-3 weeks	5.20 kg	2.076	2.595
HW	Red Brown	HW26	Chrome, Black	2-3 weeks	5.20 kg	2.076	2.595
HW	Light Blue	HW26	Chrome, Black	2-3 weeks	5.20 kg	2.076	2.595
HW	Stone Grey	HW26	Chrome, Black	2-3 weeks	5.20 kg	2.076	2.595
HW	Vermilion red NEW	HW26	Chrome, Black	2-3 weeks	5.20 kg	2.076	2.595
HW	Bronze green NEW	HW26	Chrome, Black	2-3 weeks	5.20 kg	2.076	2.595
HW	Soft Pink NEW	HW26	Chrome, Black	2-3 weeks	5.20 kg	2.076	2.595
16000000	Rely stacking trolley			2-3 weeks		5.116	6.395

Material: Shell made from 100% recycled polypropylene with fiber glass and a steel tube base.

Wagner QuickClick felt gliders with interchangeable plastic inserts are installed as standard.

Stacking quantity: 12 pcs (Chrome only).



Rely ^{HW27} Hee Welling 2020

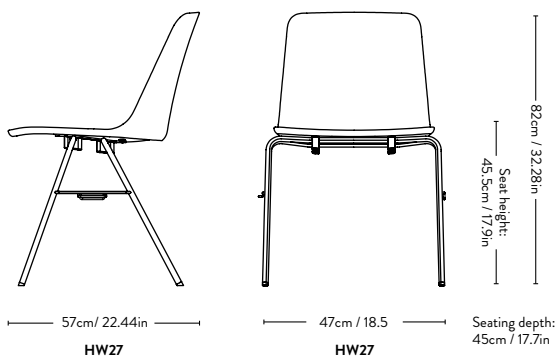


Item code	Shell Colour	Model	Base	Lead time	Weight	PRICE EX. VAT (SEK)	PRICE INC. VAT (SEK)
HW	Black	HW27	Chrome	2-3 weeks	5.20 kg	2.156	2.695
HW	White	HW27	Chrome	2-3 weeks	5.20 kg	2.156	2.695
HW	Beige Sand	HW27	Chrome	2-3 weeks	5.20 kg	2.156	2.695
HW	Red Brown	HW27	Chrome	2-3 weeks	5.20 kg	2.156	2.695
HW	Light Blue	HW27	Chrome	2-3 weeks	5.20 kg	2.156	2.695
HW	Stone Grey	HW27	Chrome	2-3 weeks	5.20 kg	2.156	2.695
HW	Vermilion red NEW	HW27	Chrome	2-3 weeks	5.20 kg	2.156	2.695
HW	Bronze green NEW	HW27	Chrome	2-3 weeks	5.20 kg	2.156	2.695
HW	Soft Pink NEW	HW27	Chrome	2-3 weeks	5.20 kg	2.156	2.695
16000000	Rely stacking trolley			2-3 weeks		5.116	6.395

Material: Shell made from 100% recycled polypropylene with fiber glass and a steel tube base.

Wagner QuickClick felt gliders with interchangeable plastic inserts are installed as standard.

Stacking quantity: 12 pcs



NEW

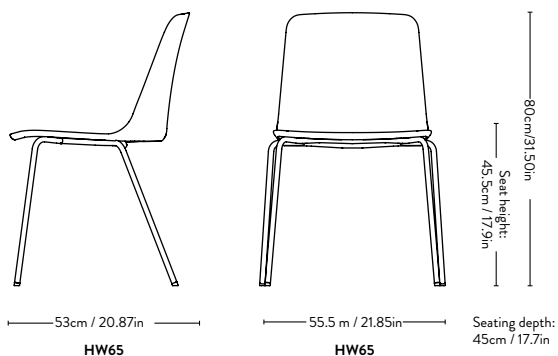
Rely HW65 Hee Welling 2023



Item code	Shell Colour	Model	Base	Colli qty.	Lead time	Weight	PRICE EX. VAT (SEK)	PRICE INC. VAT (SEK)
HW	Black	HW65	Black, Chrome	1 pc	2-3 weeks	5.5 kg	2.052	2.565
HW	White	HW65	Black, Chrome	1 pc	2-3 weeks	5.5 kg	2.052	2.565
HW	Beige Sand	HW65	Black, Chrome	1 pc	2-3 weeks	5.5 kg	2.052	2.565
HW	Red Brown	HW65	Black, Chrome	1 pc	2-3 weeks	5.5 kg	2.052	2.565
HW	Light Blue	HW65	Black, Chrome	1 pc	2-3 weeks	5.5 kg	2.052	2.565
HW	Stone Grey	HW65	Black, Chrome	1 pc	2-3 weeks	5.5 kg	2.052	2.565
HW	Vermilion red	HW65	Black, Chrome	1 pc	2-3 weeks	5.5 kg	2.052	2.565
HW	Bronze green	HW65	Black, Chrome	1 pc	2-3 weeks	5.5 kg	2.052	2.565
HW	Soft Pink	HW65	Black, Chrome	1 pc	2-3 weeks	5.5 kg	2.052	2.565

Material: Shell made from 100% recycled polypropylene with 15% fiber glass

Wagner QuickClick felt gliders with interchangeable plastic inserts are installed as standard.



NEW

Rely ^{HW66} Hee Welling 2023



Price group	Shell Colour	Seat Cushion Upholstery	Model	Base	Lead time	Weight	PRICE EX. VAT (SEK)	PRICE INC. VAT (SEK)
Fabric gr. 1	Black, White, Beige Sand, Red Brown, Light Blue, Stone Grey, Vermilion red, Bronze green, Soft Pink	Canvas, Linara, Maple, Remix, Re-Wool	HW66	Black, Chrome	3-6 weeks	6.50 kg	3.312	4.140
Fabric gr. 2	Black, White, Beige Sand, Red Brown, Light Blue, Stone Grey, Vermilion red, Bronze green, Soft Pink	Clay, Divina Melange, Duke, Fiord, Hallingdal, Loop, Ritz, Ruskin, Steelcut, Steelcut Trio, Zero	HW66	Black, Chrome	3-6 weeks	6.50 kg	3.656	4.570
Fabric gr. 3	Black, White, Beige Sand, Red Brown, Light Blue, Stone Grey, Vermilion red, Bronze green, Soft Pink	Balder, Moss, Nimbus, Sisu, Skai, Parotega Artificial leather*, Sunniva, Svevo, Vidar	HW66	Black, Chrome	3-6 weeks	6.50 kg	4.112	5.140
Fabric gr. 4	Black, White, Beige Sand, Red Brown, Light Blue, Stone Grey, Vermilion red, Bronze green, Soft Pink	Atlas, Gentle, Karakorum, Serafino	HW66	Black, Chrome	3-6 weeks	6.50 kg	4.572	5.715
Leather	Black, White, Beige Sand, Red Brown, Light Blue, Stone Grey, Vermilion red, Bronze green, Soft Pink	Tailor Semi-aniline leather	HW66	Black, Chrome	3-6 weeks	6.50 kg	3.768	4.710
Leather	Black, White, Beige Sand, Red Brown, Light Blue, Stone Grey, Vermilion red, Bronze green, Soft Pink	Noble Aniline leather	HW66	Black, Chrome	3-6 weeks	6.50 kg	4.112	5.140
Leather	Black, White, Beige Sand, Red Brown, Light Blue, Stone Grey, Vermilion red, Bronze green, Soft Pink	Elmosoft Semi-aniline leather	HW66	Black, Chrome	3-6 weeks	6.50 kg	4.456	5.570
Fabric COM	Black, White, Beige Sand, Red Brown, Light Blue, Stone Grey, Vermilion red, Bronze green, Soft Pink	COM Fabric	HW66	Black, Chrome	3-6 weeks	6.50 kg	3.312	4.140

*Skai Parotega Artificial leather:
This product contains 0,1-0,2 % C,C'-azodi (formamide), CAS no. 123-77-3.

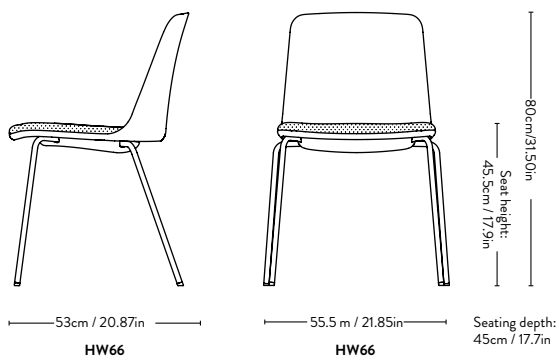
Material: Shell made from 100% recycled polypropylene with fiber glass, HR foam seat covered with fabric or leather upholstery.

Fabric usage: 0.49 meter based on a 140 cm roll.

Leather usage: 1 square meter based on a yield of 60% pr hide.

Wagner QuickClick felt gliders with interchangeable plastic inserts are installed as standard.

COM must be approved by &Tradition to ensure suitability for upholstery.



NEW

Rely ^{HW67} Hee Welling 2023



Price group	Upholstery	Model	Base	Lead time	Weight	PRICE EX. VAT (SEK)	PRICE INC. VAT (SEK)
Fabric gr. 1	Canvas, Linara, Maple, Remix, Re-Wool	HW67	Black, Chrome	3-6 weeks	6.20 kg	4.228	5.285
Fabric gr. 2	Clay, Divina Melange, Duke, Fiord, Hallingdal, Loop, Ritz, Ruskin, Steelcut, Steelcut Trio, Zero	HW67	Black, Chrome	3-6 weeks	6.20 kg	4.912	6.140
Fabric gr. 3	Balder, Moss, Nimbus, Sisu, Skai Parotega Artificial leather*, Sunniva, Svevo, Vidar	HW67	Black, Chrome	3-6 weeks	6.20 kg	5.716	7.145
Fabric gr. 4	Atlas, Gentle, Karakorum, Serafino	HW67	Black, Chrome	3-6 weeks	6.20 kg	7.088	8.860
Leather	Tailor Semi-aniline leather	HW67	Black, Chrome	3-6 weeks	6.20 kg	5.944	7.430
Leather	Noble Aniline leather	HW67	Black, Chrome	3-6 weeks	6.20 kg	6.288	7.860
Leather	Elmosoft Semi-aniline leather	HW67	Black, Chrome	3-6 weeks	6.20 kg	6.860	8.575
Fabric COM	COM Fabric	HW67	Black, Chrome	3-6 weeks	6.20 kg	4.228	5.285

*Skai Parotega Artificial leather:
This product contains 0,1-0,2 % C,C'-azodi (formamide), CAS no. 123-77-3.

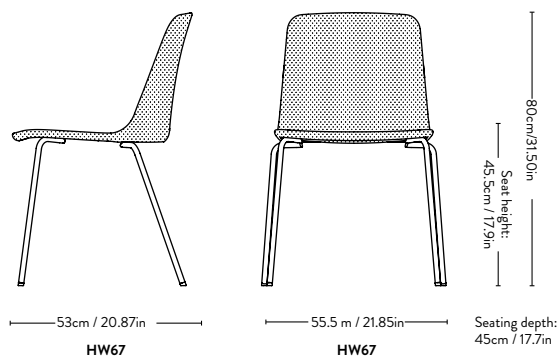
Material: Shell made from 100% recycled polypropylene with fiber glass, HR foam seat covered with fabric or leather upholstery

Fabric usage: 1.40 meters based on a 140cm roll.

Leather usage: 2.2 square meters based on a yield of 60% pr hide.

Wagner QuickClick felt gliders with interchangeable plastic inserts are installed as standard.

COM must be approved by &Tradition to ensure suitability for upholstery.



NEW

Rely HW68 Hee Welling 2023



Price group	Upholstery	Model	Base	Lead time	Weight	PRICE EX. VAT (SEK)	PRICE INC. VAT (SEK)
Fabric gr. 1	Canvas, Linara, Maple, Remix, Re-Wool	HW68	Black, Chrome	3-6 weeks	7.30 kg	4.456	5.570
Fabric gr. 2	Clay, Divina Melange, Duke, Fiord, Hallingdal, Loop, Ritz, Ruskin, Steelcut, Steelcut Trio, Zero	HW68	Black, Chrome	3-6 weeks	7.30 kg	5.144	6.430
Fabric gr. 3	Balder, Moss, Nimbus, Sisu, Skai Parotega Artificial leather*, Sunniva, Svevo, Vidar	HW68	Black, Chrome	3-6 weeks	7.30 kg	5.944	7.430
Fabric gr. 4	Atlas, Gentle, Karakorum, Serafino	HW68	Black, Chrome	3-6 weeks	7.30 kg	7.316	9.145
Leather	Tailor Semi-aniline leather	HW68	Black, Chrome	3-6 weeks	7.30 kg	6.172	7.715
Leather	Noble Aniline leather	HW68	Black, Chrome	3-6 weeks	7.30 kg	6.516	8.145
Leather	Elmosoft Semi-aniline leather	HW68	Black, Chrome	3-6 weeks	7.30 kg	7.200	9.000
Fabric COM	COM Fabric	HW68	Black, Chrome	3-6 weeks	7.30 kg	4.456	5.570

*Skai Parotega Artificial leather:
This product contains 0,1-0,2% C,C'-azodi (formamide), CAS no. 123-77-3.

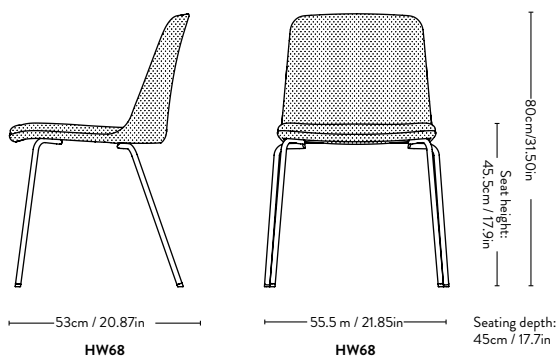
Material: Shell made from 100% recycled polypropylene with fiber glass, covered with HR foam with fabric or leather upholstery, steel tube base.

Fabric usage: 1.4m meters based on a 140cm roll.

Leather usage: 2.2 square meters based on a yield of 60% pr hide.

Wagner QuickClick felt gliders with interchangeable plastic inserts are installed as standard.

COM must be approved by &Tradition to ensure suitability for upholstery.



NEW

Rely HW69

Hee Welling

2023



Please note that price is accumulated price of shell & seat.

Price group	Shell Upholstery	Model	Base	Lead time	Weight	PRICE EX. VAT (SEK)	PRICE INC. VAT (SEK)
Fabric gr. 1	Canvas, Linara, Maple, Remix, Re-Wool	HW69	Black, Chrome	3-6 weeks	7.30 kg	3.276	4.095
Fabric gr. 2	Clay, Divina Melange, Duke, Fiord, Hallingdal, Loop, Ritz, Ruskin, Steelcut, Steelcut Trio, Zero	HW69	Black, Chrome	3-6 weeks	7.30 kg	3.676	4.595
Fabric gr. 3	Balder, Moss, Nimbus, Sisu, Skai Parotega Artificial leather*, Sunniva, Svevo, Vidar	HW69	Black, Chrome	3-6 weeks	7.30 kg	3.996	4.995
Fabric gr. 4	Atlas, Gentle, Karakorum, Serafino	HW69	Black, Chrome	3-6 weeks	7.30 kg	4.876	6.095
Leather	Tailor Semi-aniline leather	HW69	Black, Chrome	3-6 weeks	7.30 kg	4.316	5.395
Leather	Noble Aniline leather	HW69	Black, Chrome	3-6 weeks	7.30 kg	4.556	5.695
Leather	Elmosoft Semi-aniline leather	HW69	Black, Chrome	3-6 weeks	7.30 kg	4.796	5.995
Fabric COM	COM Fabric	HW69	Black, Chrome	3-6 weeks	7.30 kg	3.276	4.095

Price group	Seat Upholstery	Lead time	PRICE EX. VAT (SEK)	PRICE INC. VAT (SEK)
Fabric gr. 1	Canvas, Linara, Remix, Re-Wool	3-6 weeks	1.200	1.500
Fabric gr. 2	Clay, Divina Melange, Duke, Fiord, Hallingdal, Loop, Ritz, Ruskin, Steelcut, Steelcut Trio, Zero	3-6 weeks	1.440	1.800
Fabric gr. 3	Balder, Nimbus, Sisu, Skai Parotega Artificial leather*, Vidar	3-6 weeks	1.920	2.400
Fabric gr. 4	Gentle, Karakorum, Serafino	3-6 weeks	2.400	3.000
Leather	Tailor Semi-aniline leather	3-6 weeks	1.840	2.300
Leather	Noble Aniline leather	3-6 weeks	1.920	2.400
Leather	Elmosoft Semi-aniline leather	3-6 weeks	2.400	3.000
Fabric COM	COM Fabric	3-6 weeks	1.200	1.500

*Skai Parotega Artificial leather:
This product contains 0,1-0,2 % C,C'-azodi (formamide), CAS no. 123-77-3.

Material: Shell made from 100% recycled polypropylene with fiber glass, HR foam seat covered with fabric or leather upholstery

Fabric usage:

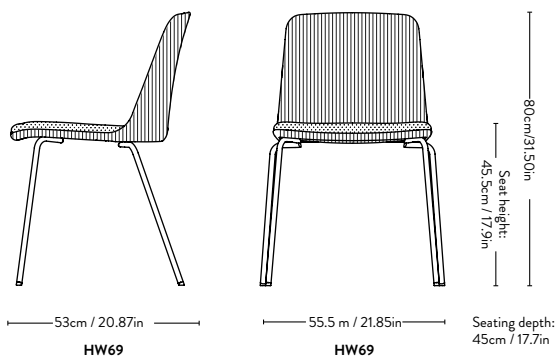
1.9 meter (Shell: 1.2 meters / Seat: 0.7 meter based on a 140 cm roll).

Leather usage: 2.9 square meters (Shell: 2 sqm / Seat: 0.9 sqm) based on a yield of 60% pr hide.

COM must be approved by &Tradition to ensure suitability for upholstery.

Wagner QuickClick felt gliders with interchangeable plastic inserts are installed as standard.

Minimum order quantity of same variant: 4 pcs.



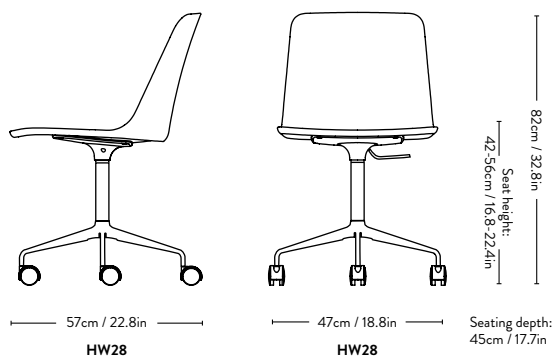
Rely ^{HW28} Hee Welling 2020



Item code	Shell Colour	Model	Base	Lead time	Weight	PRICE EX. VAT (SEK)	PRICE INC. VAT (SEK)
HW	Black	HW28	Black, Polished Aluminium	2-3 weeks	8.90 kg	3.996	4.995
HW	White	HW28	Black, Polished Aluminium	2-3 weeks	8.90 kg	3.996	4.995
HW	Beige Sand	HW28	Black, Polished Aluminium	2-3 weeks	8.90 kg	3.996	4.995
HW	Red Brown	HW28	Black, Polished Aluminium	2-3 weeks	8.90 kg	3.996	4.995
HW	Light Blue	HW28	Black, Polished Aluminium	2-3 weeks	8.90 kg	3.996	4.995
HW	Stone Grey	HW28	Black, Polished Aluminium	2-3 weeks	8.90 kg	3.996	4.995
HW	Vermilion red NEW	HW28	Black, Polished Aluminium	2-3 weeks	8.90 kg	3.996	4.995
HW	Bronze green NEW	HW28	Black, Polished Aluminium	2-3 weeks	8.90 kg	3.996	4.995
HW	Soft Pink NEW	HW28	Black, Polished Aluminium	2-3 weeks	8.90 kg	3.996	4.995

Material: Shell made from 100% recycled polypropylene with fiber glass, cast aluminium 5-star swivel base w. gaslift & castors.

Suitable for all floor types.



Rely ^{HW29} Hee Welling 2020



Price group	Shell Colour	Seat Cushion Upholstery	Base	Lead time	Weight	PRICE EX. VAT (SEK)	PRICE INC. VAT (SEK)
Fabric gr. 1	Black, White, Beige Sand, Red Brown, Light Blue, Stone Grey, Vermilion red, Bronze green, Soft Pink NEW	Canvas, Linara, Maple, Remix, Re-Wool	Black, Polished Aluminium	3-6 weeks	10.20 kg	5.116	6.395
Fabric gr. 2	Black, White, Beige Sand, Red Brown, Light Blue, Stone Grey, Vermilion red, Bronze green, Soft Pink NEW	Clay, Divina Melange, Duke, Fiord, Hallingdal, Loop, Ritz, Ruskin, Steelcut, Steelcut Trio, Zero	Black, Polished Aluminium	3-6 weeks	10.20 kg	5.516	6.895
Fabric gr. 3	Black, White, Beige Sand, Red Brown, Light Blue, Stone Grey, Vermilion red, Bronze green, Soft Pink NEW	Balder, Moss, Nimbus, Sisu, Skai, Parotega Artificial leather*, Sunniva, Svevo, Vidar	Black, Polished Aluminium	3-6 weeks	10.20 kg	5.916	7.395
Fabric gr. 4	Black, White, Beige Sand, Red Brown, Light Blue, Stone Grey, Vermilion red, Bronze green, Soft Pink NEW	Atlas, Gentle, Karakorum, Serafino	Black, Polished Aluminium	3-6 weeks	10.20 kg	6.396	7.995
Leather	Black, White, Beige Sand, Red Brown, Light Blue, Stone Grey, Vermilion red, Bronze green, Soft Pink NEW	Tailor Semi-aniline leather	Black, Polished Aluminium	3-6 weeks	10.20 kg	5.596	6.995
Leather	Black, White, Beige Sand, Red Brown, Light Blue, Stone Grey, Vermilion red, Bronze green, Soft Pink NEW	Noble Aniline leather	Black, Polished Aluminium	3-6 weeks	10.20 kg	5.916	7.395
Leather	Black, White, Beige Sand, Red Brown, Light Blue, Stone Grey, Vermilion red, Bronze green, Soft Pink NEW	Elmosoft Semi-aniline leather	Black, Polished Aluminium	3-6 weeks	10.20 kg	6.316	7.895
Fabric COM	Black, White, Beige Sand, Red Brown, Light Blue, Stone Grey, Vermilion red, Bronze green, Soft Pink NEW	COM Fabric	Black, Polished Aluminium	3-6 weeks	10.20 kg	5.116	6.395

*Skai Parotega Artificial leather:
This product contains 0,1-0,2% C,C´-azodi (formamide), CAS no. 123-77-3.

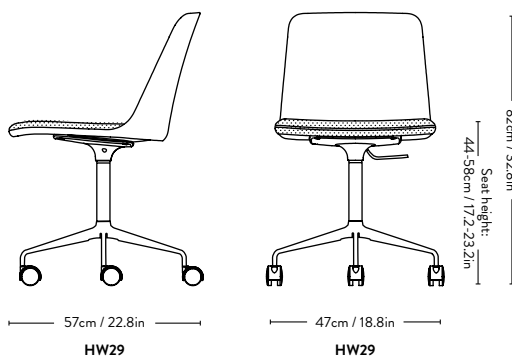
Material: Shell made from 100% recycled polypropylene with fiber glass, seat covered in HR foam with fabric or leather upholstery, cast aluminium 5-star swivel base w. gaslift & castors.

Suitable for all floor types.

Fabric usage: 0.49 meter based on a 140 cm roll.

Leather usage: 1 square meter based on a yield of 60% pr hide.

COM must be approved by &Tradition to ensure suitability for upholstery.



Rely HW30

Hee Welling

2020



Price group	Upholstery	Model	Base	Lead time	Weight	PRICE EX. VAT (SEK)	PRICE INC. VAT (SEK)
Fabric gr. 1	Canvas, Linara, Maple, Remix, Re-Wool	HW30	Black, Polished Aluminium	3-6 weeks	8.90 kg	5.836	7.295
Fabric gr. 2	Clay, Divina Melange, Duke, Fiord, Hallingdal, Loop, Ritz, Ruskin, Steelcut, Steelcut Trio, Zero	HW30	Black, Polished Aluminium	3-6 weeks	8.90 kg	6.476	8.095
Fabric gr. 3	Balder, Moss, Nimbus, Sisu, Skai Parotega Artificial leather*, Sunniva, Svevo, Vidar	HW30	Black, Polished Aluminium	3-6 weeks	8.90 kg	7.276	9.095
Fabric gr. 4	Atlas, Gentle, Karakorum, Serafino	HW30	Black, Polished Aluminium	3-6 weeks	8.90 kg	8.716	10.895
Leather	Tailor Semi-aniline leather	HW30	Black, Polished Aluminium	3-6 weeks	8.90 kg	7.516	9.395
Leather	Noble Aniline leather	HW30	Black, Polished Aluminium	3-6 weeks	8.90 kg	7.916	9.895
Leather	Elmosoft Semi-aniline leather	HW30	Black, Polished Aluminium	3-6 weeks	8.90 kg	8.476	10.595
Fabric COM	COM Fabric	HW30	Black, Polished Aluminium	3-6 weeks	8.90 kg	5.836	7.295

*Skai Parotega Artificial leather:
This product contains 0,1-0,2 % C,C'-azodi (formamide), CAS no. 123-77-3.

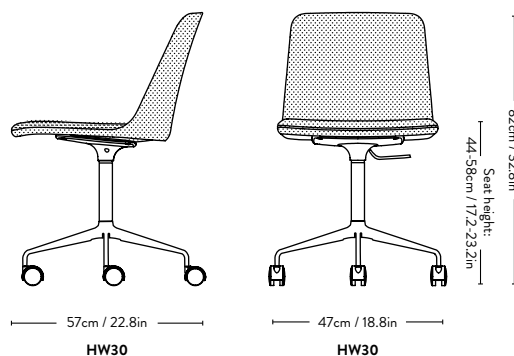
Material: Shell made from 100% recycled polypropylene with fiber glass, covered in HR foam with fabric or leather upholstery, cast aluminium 5-star swivel base w. gaslift & castors.

Suitable for all floor types.

Fabric usage: 1.40 meters based on a 140cm roll.

Leather usage: 2.2 square meters based on a yield of 60% pr hide.

COM must be approved by &Tradition to ensure suitability for upholstery.



Rely ^{HW31} Hee Welling 2020



Price group	Upholstery	Model	Base	Lead time	Weight	PRICE EX. VAT (SEK)	PRICE INC. VAT (SEK)
Fabric gr. 1	Canvas, Linara, Maple, Remix, Re-Wool	HW31	Black, Polished Aluminium	3-6 weeks	10.50 kg	6.076	7.595
Fabric gr. 2	Clay, Divina Melange, Duke, Fiord, Hallingdal, Loop, Ritz, Ruskin, Steelcut, Steelcut Trio, Zero	HW31	Black, Polished Aluminium	3-6 weeks	10.50 kg	6.716	8.395
Fabric gr. 3	Balder, Moss, Nimbus, Sisu, Skai Parotega Artificial leather*, Sunniva, Svevo, Vidar	HW31	Black, Polished Aluminium	3-6 weeks	10.50 kg	7.516	9.395
Fabric gr. 4	Atlas, Gentle, Karakorum, Serafino	HW31	Black, Polished Aluminium	3-6 weeks	10.50 kg	8.956	11.195
Leather	Tailor Semi-aniline leather	HW31	Black, Polished Aluminium	3-6 weeks	10.50 kg	7.756	9.695
Leather	Noble Aniline leather	HW31	Black, Polished Aluminium	3-6 weeks	10.50 kg	8.156	10.195
Leather	Elmosoft Semi-aniline leather	HW31	Black, Polished Aluminium	3-6 weeks	10.50 kg	8.956	11.195
Fabric COM	COM Fabric	HW31	Black, Polished Aluminium	3-6 weeks	10.50 kg	6.076	7.595

*Skai Parotega Artificial leather:
This product contains 0,1-0,2% C,C'-azodi (formamide), CAS no. 123-77-3.

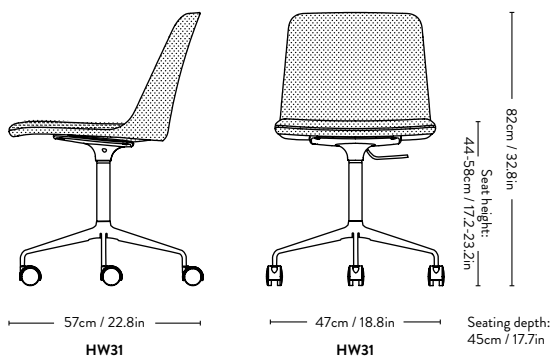
Material: Shell made from 100% recycled polypropylene with fiber glass, covered in HR foam with fabric or leather upholstery, cast aluminium 5-star swivel base w. gaslift & castors.

Suitable for all floor types.

Fabric usage: 1.8 meters based on a 140cm roll.

Leather usage: 2.7 square meters based on a yield of 60% pr hide.

COM must be approved by &Tradition to ensure suitability for upholstery.



Rely HW32

Hee Welling

2020



Please note that price is accumulated price of shell & seat.

Price group	Shell Upholstery	Base	Lead time	Weight	PRICE EX. VAT (SEK)	PRICE INC. VAT (SEK)
Fabric gr. 1	Canvas, Linara, Maple, Remix, Re-Wool	Black, Polished Aluminium	3-6 weeks	10.50 kg	4.876	6.095
Fabric gr. 2	Clay, Divina Melange, Duke, Fiord, Hallingdal, Loop, Ritz, Ruskin, Steelcut, Steelcut Trio, Zero	Black, Polished Aluminium	3-6 weeks	10.50 kg	5.276	6.595
Fabric gr. 3	Balder, Moss, Nimbus, Sisu, Skai Parotega Artificial leather*, Sunniva, Svevo, Vidar	Black, Polished Aluminium	3-6 weeks	10.50 kg	5.596	6.995
Fabric gr. 4	Atlas, Gentle, Karakorum, Serafino	Black, Polished Aluminium	3-6 weeks	10.50 kg	6.556	8.195
Leather	Tailor Semi-aniline leather	Black, Polished Aluminium	3-6 weeks	10.50 kg	5.916	7.395
Leather	Noble Aniline leather	Black, Polished Aluminium	3-6 weeks	10.50 kg	6.236	7.795
Leather	Elmosoft Semi-aniline leather	Black, Polished Aluminium	3-6 weeks	10.50 kg	6.556	8.195
Fabric COM	COM Fabric	Black, Polished Aluminium	3-6 weeks	10.50 kg	4.876	6.095

Price group	Seat Upholstery	Lead time	PRICE EX. VAT (SEK)	PRICE INC. VAT (SEK)
Fabric gr. 1	Canvas, Linara, Maple, Remix, Re-Wool	3-6 weeks	1.200	1.500
Fabric gr. 2	Clay, Divina Melange, Duke, Fiord, Hallingdal, Loop, Ritz, Ruskin, Steelcut, Steelcut Trio, Zero	3-6 weeks	1.440	1.800
Fabric gr. 3	Balder, Moss, Nimbus, Sisu, Skai Parotega Artificial leather*, Sunniva, Svevo, Vidar	3-6 weeks	1.920	2.400
Fabric gr. 4	Atlas, Gentle, Karakorum, Serafino	3-6 weeks	2.400	3.000
Leather	Tailor Semi-aniline leather	3-6 weeks	1.840	2.300
Leather	Noble Aniline leather	3-6 weeks	1.920	2.400
Leather	Elmosoft Semi-aniline leather	3-6 weeks	2.400	3.000
Fabric COM	COM Fabric	3-6 weeks	1.200	1.500

*Skai Parotega Artificial leather:
This product contains 0,1-0,2% C,C'-azodi (formamide), CAS no. 123-77-3.

Material: Shell made from 100% recycled polypropylene with fiber glass, covered in HR foam with fabric or leather upholstery, cast aluminium 5-star swivel base w. gaslift & castors.

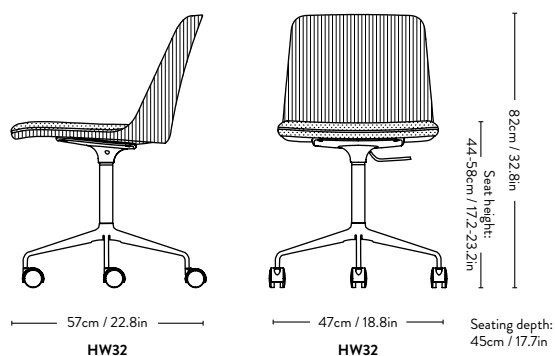
Suitable for all floor types.

Fabric usage: 1.9 meter (Shell: 1.2 meters / Seat: 0.7 meter).

Leather usage: 2.9 square meters (Shell: 2 sqm / Seat: 0.9 sqm) based on a yield of 60% pr hide.

COM must be approved by &Tradition to ensure suitability for upholstery.

Minimum order quantity of same variant: 4 pcs.



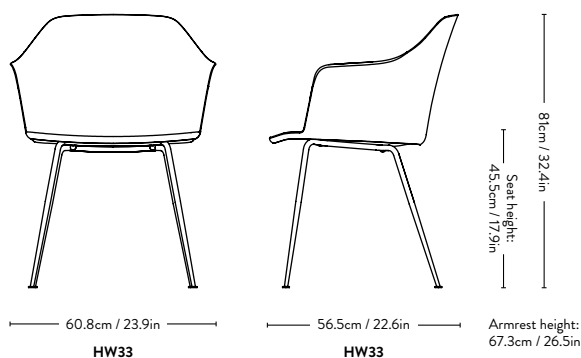
Rely ^{HW33} Hee Welling 2021



Item code	Shell Colour	Model	Base	Colli qty.	Lead time	Weight	PRICE EX. VAT (SEK)	PRICE INC. VAT (SEK)
HW	Black	HW33	Black, Bronzed, Chrome	1 pc 4 pcs	2-3 weeks	6.90 kg	2.316 2.156	2.895 2.695
HW	White	HW33	Black, Bronzed, Chrome	1 pc 4 pcs	2-3 weeks	6.90 kg	2.316 2.156	2.895 2.695
HW	Beige Sand	HW33	Black, Bronzed, Chrome	1 pc 4 pcs	2-3 weeks	6.90 kg	2.316 2.156	2.895 2.695
HW	Red Brown	HW33	Black, Bronzed, Chrome	1 pc 4 pcs	2-3 weeks	6.90 kg	2.316 2.156	2.895 2.695
HW	Light Blue	HW33	Black, Bronzed, Chrome	1 pc 4 pcs	2-3 weeks	6.90 kg	2.316 2.156	2.895 2.695
HW	Stone Grey	HW33	Black, Bronzed, Chrome	1 pc 4 pcs	2-3 weeks	6.90 kg	2.316 2.156	2.895 2.695
HW	Vermilion red NEW	HW33	Black, Bronzed, Chrome	1 pc 4 pcs	2-3 weeks	6.90 kg	2.316 2.156	2.895 2.695
HW	Bronze green NEW	HW33	Black, Bronzed, Chrome	1 pc 4 pcs	2-3 weeks	6.90 kg	2.316 2.156	2.895 2.695
HW	Soft Pink NEW	HW33	Black, Bronzed, Chrome	1 pc 4 pcs	2-3 weeks	6.90 kg	2.316 2.156	2.895 2.695

Material: Shell made from 100% recycled polypropylene with fiber glass and a steel tube base.

Wagner QuickClick felt gliders with interchangeable plastic inserts are installed as standard.



Rely HW34

Hee Welling

2021



Price group	Shell Colour	Seat Cushion Upholstery	Model	Base	Lead time	Weight	PRICE EX. VAT (SEK)	PRICE INC. VAT (SEK)
Fabric gr. 1	Black, White, Beige Sand, Red Brown, Light Blue, Stone Grey, Vermilion red, Bronze green, Soft Pink NEW	Canvas, Linara, Remix, Re-Wool	HW34	Black, Bronzed, Chrome	3-6 weeks	8.10 kg	3.676	4.595
Fabric gr. 2	Black, White, Beige Sand, Red Brown, Light Blue, Stone Grey, Vermilion red, Bronze green, Soft Pink NEW	Clay, Divina Melange, Duke, Fiord, Hallingdal, Loop, Ritz, Ruskin, Steelcut, Steelcut Trio, Zero	HW34	Black, Bronzed, Chrome	3-6 weeks	8.10 kg	3.996	4.995
Fabric gr. 3	Black, White, Beige Sand, Red Brown, Light Blue, Stone Grey, Vermilion red, Bronze green, Soft Pink NEW	Balder, Moss, Nimbus, Sisu, Skai, Parotega Artificial leather*, Sunniva, Svevo, Vidar	HW34	Black, Bronzed, Chrome	3-6 weeks	8.10 kg	4.476	5.595
Fabric gr. 4	Black, White, Beige Sand, Red Brown, Light Blue, Stone Grey, Vermilion red, Bronze green, Soft Pink NEW	Atlas, Gentle, Karakorum, Serafino	HW34	Black, Bronzed, Chrome	3-6 weeks	8.10 kg	4.876	6.095
Leather	Black, White, Beige Sand, Red Brown, Light Blue, Stone Grey, Vermilion red, Bronze green, Soft Pink NEW	Tailor Semi-aniline leather	HW34	Black, Bronzed, Chrome	3-6 weeks	8.10 kg	4.076	5.095
Leather	Black, White, Beige Sand, Red Brown, Light Blue, Stone Grey, Vermilion red, Bronze green, Soft Pink NEW	Noble Aniline leather	HW34	Black, Bronzed, Chrome	3-6 weeks	8.10 kg	4.476	5.595
Leather	Black, White, Beige Sand, Red Brown, Light Blue, Stone Grey, Vermilion red, Bronze green, Soft Pink NEW	Elmosoft Semi-aniline leather	HW34	Black, Bronzed, Chrome	3-6 weeks	8.10 kg	4.796	5.995
Fabric COM	Black, White, Beige Sand, Red Brown, Light Blue, Stone Grey, Vermilion red, Bronze green, Soft Pink NEW	COM Fabric	HW34	Black, Bronzed, Chrome	3-6 weeks	8.10 kg	3.676	4.595

*Skai Parotega Artificial leather:
This product contains 0,1-0,2 % C,C'-azodi (formamide), CAS no. 123-77-3.

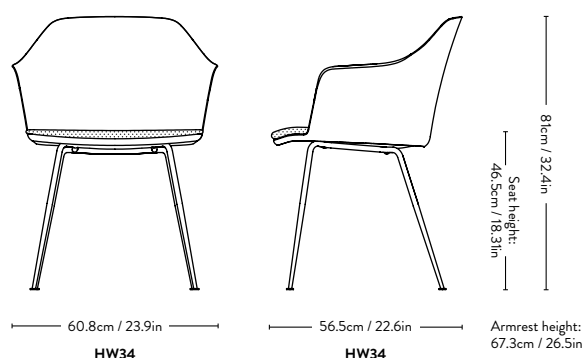
Material: Shell made from 100% recycled polypropylene with fiber glass, HR foam seat covered with fabric or leather upholstery, steel tube base.

Fabric usage: 0.49 meter based on a 140 cm roll.

Leather usage: 1 square meter based on a yield of 60% pr hide.

COM must be approved by &Tradition to ensure suitability for upholstery.

Wagner QuickClick felt gliders with interchangeable plastic inserts are installed as standard.



Rely HW35 Hee Welling 2021



Price group	Upholstery	Model	Base	Lead time	Weight	PRICE EX. VAT (SEK)	PRICE INC. VAT (SEK)
Fabric gr. 1	Canvas, Linara, Remix, Re-Wool	HW35	Black, Bronzed, Chrome	3-6 weeks	7.30 kg	4.796	5.995
Fabric gr. 2	Clay, Divina Melange, Duke, Fiord, Hallingdal, Loop, Ritz, Ruskin, Steelcut, Steelcut Trio, Zero	HW35	Black, Bronzed, Chrome	3-6 weeks	7.30 kg	5.516	6.895
Fabric gr. 3	Balder, Moss, Nimbus, Sisu, Skai Parotega Artificial leather*, Sunniva, Svevo, Vidar	HW35	Black, Bronzed, Chrome	3-6 weeks	7.30 kg	6.396	7.995
Fabric gr. 4	Atlas, Gentle, Karakorum, Serafino	HW35	Black, Bronzed, Chrome	3-6 weeks	7.30 kg	7.756	9.695
Leather	Tailor Semi-aniline leather	HW35	Black, Bronzed, Chrome	3-6 weeks	7.30 kg	6.636	8.295
Leather	Noble Aniline leather	HW35	Black, Bronzed, Chrome	3-6 weeks	7.30 kg	7.996	9.995
Leather	Elmosoft Semi-aniline leather	HW35	Black, Bronzed, Chrome	3-6 weeks	7.30 kg	8.796	10.995
Fabric COM	COM Fabric	HW35	Black, Bronzed, Chrome	3-6 weeks	7.30 kg	4.796	5.995

*Skai Parotega Artificial leather:
This product contains 0,1-0,2 % C,C'-azodi (formamide), CAS no. 123-77-3.

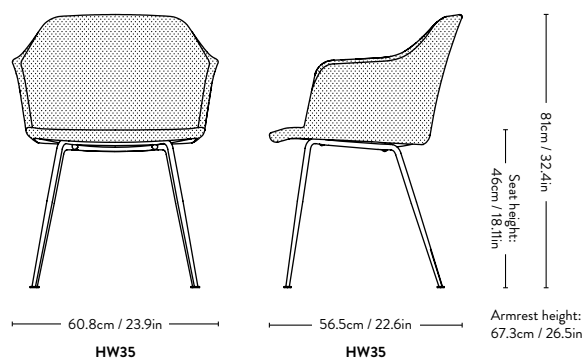
Material: Shell made from 100% recycled polypropylene with fiber glass, covered with HR foam with fabric or leather upholstery, steel tube base.

Fabric usage: 1.5 meters based on 140cm roll.

Leather usage: 2.7 square meters based on a yield of 60% pr hide.

COM must be approved by &Tradition to ensure suitability for upholstery.

Wagner QuickClick felt gliders with interchangeable plastic inserts are installed as standard.



Rely HW36

Hee Welling

2021



Price group	Upholstery	Model	Base	Lead time	Weight	PRICE EX. VAT (SEK)	PRICE INC. VAT (SEK)
Fabric gr. 1	Canvas, Linara, Remix, Re-Wool	HW36	Black, Bronzed, Chrome	3-6 weeks	8.40 kg	5.116	6.395
Fabric gr. 2	Clay, Divina Melange, Duke, Fiord, Hallingdal, Loop, Ritz, Ruskin, Steelcut, Steelcut Trio, Zero	HW36	Black, Bronzed, Chrome	3-6 weeks	8.40 kg	5.836	7.295
Fabric gr. 3	Balder, Moss, Nimbus, Sisu, Skai Parotega Artificial leather*, Sunniva, Svevo, Vidar	HW36	Black, Bronzed, Chrome	3-6 weeks	8.40 kg	6.716	8.395
Fabric gr. 4	Atlas, Gentle, Karakorum, Serafino	HW36	Black, Bronzed, Chrome	3-6 weeks	8.40 kg	8.156	10.195
Leather	Tailor Semi-aniline leather	HW36	Black, Bronzed, Chrome	3-6 weeks	8.40 kg	6.956	8.695
Leather	Noble Aniline leather	HW36	Black, Bronzed, Chrome	3-6 weeks	8.40 kg	8.316	10.395
Leather	Elmosoft Semi-aniline leather	HW36	Black, Bronzed, Chrome	3-6 weeks	8.40 kg	9.356	11.695
Fabric COM	COM Fabric	HW36	Black, Bronzed, Chrome	3-6 weeks	8.40 kg	5.116	6.395

*Skai Parotega Artificial leather:
This product contains 0,1-0,2 % C,C'-azodi (formamide), CAS no. 123-77-3.

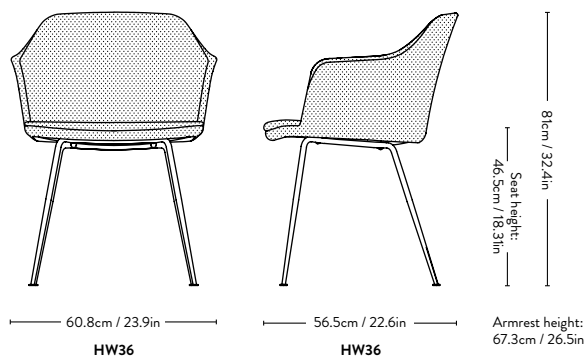
Material: Shell made from 100% recycled polypropylene with fiber glass, covered with HR foam with fabric or leather upholstery, steel tube base.

Fabric usage: 2.3 meters based on 140cm roll.

Leather usage: 3.4 square meters based on a yield of 60% pr hide.

COM must be approved by &Tradition to ensure suitability for upholstery.

Wagner QuickClick felt gliders with interchangeable plastic inserts are installed as standard.



Rely ^{HW37} Hee Welling 2021



Please note that price is accumulated price of shell & seat.

Price group	Shell Upholstery	Base	Lead time	Weight	PRICE EX. VAT (SEK)	PRICE INC. VAT (SEK)
Fabric gr. 1	Canvas, Linara, Remix, Re-Wool	Black, Bronzed, Chrome	3-6 weeks	8.40 kg	3.916	4.895
Fabric gr. 2	Clay, Divina Melange, Duke, Fiord, Hallingdal, Loop, Ritz, Ruskin, Steelcut, Steelcut Trio, Zero	Black, Bronzed, Chrome	3-6 weeks	8.40 kg	4.396	5.495
Fabric gr. 3	Balder, Moss, Nimbus, Sisu, Skai Parotega Artificial leather*, Sunniva, Svevo, Vidar	Black, Bronzed, Chrome	3-6 weeks	8.40 kg	4.796	5.995
Fabric gr. 4	Atlas, Gentle, Karakorum, Serafino	Black, Bronzed, Chrome	3-6 weeks	8.40 kg	5.756	7.195
Leather	Tailor Semi-aniline leather	Black, Bronzed, Chrome	3-6 weeks	8.40 kg	5.116	6.395
Leather	Noble Aniline leather	Black, Bronzed, Chrome	3-6 weeks	8.40 kg	6.396	7.995
Leather	Elmosoft Semi-aniline leather	Black, Bronzed, Chrome	3-6 weeks	8.40 kg	6.956	8.695
Fabric COM	COM Fabric	Black, Bronzed, Chrome	3-6 weeks	8.40 kg	3.916	4.895

Price group	Seat Upholstery	Lead time	PRICE EX. VAT (SEK)	PRICE INC. VAT (SEK)
Fabric gr. 1	Canvas, Linara, Remix, Re-Wool	3-6 weeks	1.200	1.500
Fabric gr. 2	Clay, Divina Melange, Duke, Fiord, Hallingdal, Loop, Ritz, Ruskin, Steelcut, Steelcut Trio, Zero	3-6 weeks	1.440	1.800
Fabric gr. 3	Balder, Moss, Nimbus, Sisu, Skai Parotega Artificial leather*, Sunniva, Svevo, Vidar	3-6 weeks	1.920	2.400
Fabric gr. 4	Atlas, Gentle, Karakorum, Serafino	3-6 weeks	2.400	3.000
Leather	Tailor Semi-aniline leather	3-6 weeks	1.840	2.300
Leather	Noble Aniline leather	3-6 weeks	1.920	2.400
Leather	Elmosoft Semi-aniline leather	3-6 weeks	2.400	3.000
Fabric COM	COM Fabric	3-6 weeks	1.200	1.500

*Skai Parotega Artificial leather:
This product contains 0,1-0,2 % C,C'-azodi (formamide), CAS no. 123-77-3.

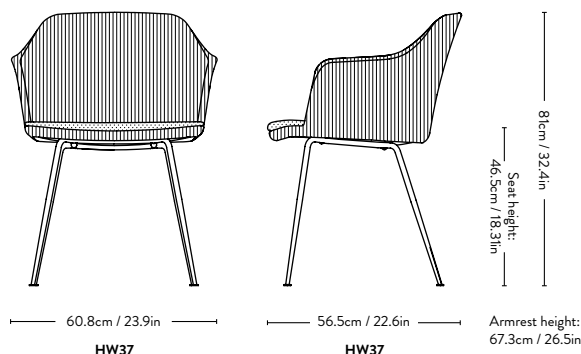
Material: Shell made from 100% recycled polypropylene with fiber glass, covered with HR foam with fabric or leather upholstery, steel tube base.

Fabric usage: 1.5 meters (shell), 0.77 meters (cushion) based on 140cm roll.
Leather usage: 2.64 square meters (shell), 0.77 square meters (cushion) based on a yield of 60% pr hide.

COM must be approved by &Tradition to ensure suitability for upholstery.

Wagner QuickClick felt gliders with interchangeable plastic inserts are installed as standard.

Minimum order quantity of same variant: 4 pcs.



Rely HW38

Hee Welling

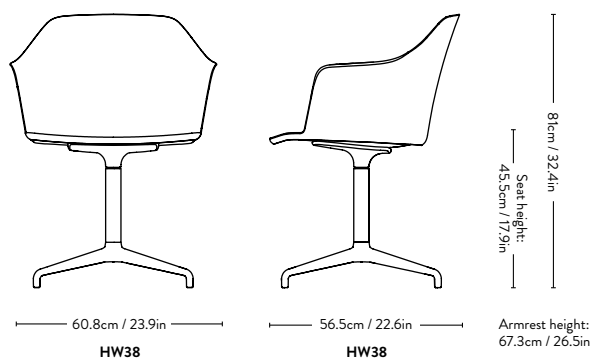
2021



Item code	Shell Colour	Model	Base	Lead time	Weight	PRICE EX. VAT (SEK)	PRICE INC. VAT (SEK)
HW	Black	HW38	Black, Bronzed, Polished Aluminium	2-3 weeks	9.40 kg	3.116	3.895
HW	White	HW38	Black, Bronzed, Polished Aluminium	2-3 weeks	9.40 kg	3.116	3.895
HW	Beige Sand	HW38	Black, Bronzed, Polished Aluminium	2-3 weeks	9.40 kg	3.116	3.895
HW	Red Brown	HW38	Black, Bronzed, Polished Aluminium	2-3 weeks	9.40 kg	3.116	3.895
HW	Light Blue	HW38	Black, Bronzed, Polished Aluminium	2-3 weeks	9.40 kg	3.116	3.895
HW	Stone Grey	HW38	Black, Bronzed, Polished Aluminium	2-3 weeks	9.40 kg	3.116	3.895
HW	Vermilion red NEW	HW38	Black, Bronzed, Polished Aluminium	2-3 weeks	9.40 kg	3.116	3.895
HW	Bronze green NEW	HW38	Black, Bronzed, Polished Aluminium	2-3 weeks	9.40 kg	3.116	3.895
HW	Soft Pink NEW	HW38	Black, Bronzed, Polished Aluminium	2-3 weeks	9.40 kg	3.116	3.895

Material: Shell made from 100% recycled polypropylene with fiber glass and an aluminium swivel base.

Plastic gliders installed as standard.
Felt gliders available upon request.



Rely HW39

Hee Welling

2021



Price group	Shell Colour	Seat Cushion Upholstery	Base	Lead time	Weight	PRICE EX. VAT (SEK)	PRICE INC. VAT (SEK)
Fabric gr. 1	Black, White, Beige Sand, Red Brown, Light Blue, Stone Grey, Vermilion red, Bronze green, Soft Pink NEW	Canvas, Linara, Remix, Re-Wool	Black, Bronzed, Polished Aluminium	3-6 weeks	10.70 kg	4.716	5.895
Fabric gr. 2	Black, White, Beige Sand, Red Brown, Light Blue, Stone Grey, Vermilion red, Bronze green, Soft Pink NEW	Clay, Divina Melange, Duke, Fiord, Hallingdal, Loop, Ritz, Ruskin, Steelcut, Steelcut Trio, Zero	Black, Bronzed, Polished Aluminium	3-6 weeks	10.70 kg	5.036	6.295
Fabric gr. 3	Black, White, Beige Sand, Red Brown, Light Blue, Stone Grey, Vermilion red, Bronze green, Soft Pink NEW	Balder, Moss, Nimbus, Sisu, Skai, Parotega Artificial leather*, Sunniva, Svevo, Vidar	Black, Bronzed, Polished Aluminium	3-6 weeks	10.70 kg	5.516	6.895
Fabric gr. 4	Black, White, Beige Sand, Red Brown, Light Blue, Stone Grey, Vermilion red, Bronze green, Soft Pink NEW	Atlas, Gentle, Karakorum, Serafino	Black, Bronzed, Polished Aluminium	3-6 weeks	10.70 kg	5.916	7.395
Leather	Black, White, Beige Sand, Red Brown, Light Blue, Stone Grey, Vermilion red, Bronze green, Soft Pink NEW	Tailor Semi-aniline leather	Black, Bronzed, Polished Aluminium	3-6 weeks	10.70 kg	5.116	6.395
Leather	Black, White, Beige Sand, Red Brown, Light Blue, Stone Grey, Vermilion red, Bronze green, Soft Pink NEW	Noble Aniline leather	Black, Bronzed, Polished Aluminium	3-6 weeks	10.70 kg	5.516	6.895
Leather	Black, White, Beige Sand, Red Brown, Light Blue, Stone Grey, Vermilion red, Bronze green, Soft Pink NEW	Elmosoft Semi-aniline leather	Black, Bronzed, Polished Aluminium	3-6 weeks	10.70 kg	5.836	7.295
Fabric COM	Black, White, Beige Sand, Red Brown, Light Blue, Stone Grey, Vermilion red, Bronze green, Soft Pink NEW	COM Fabric	Black, Bronzed, Polished Aluminium	3-6 weeks	10.70 kg	4.716	5.895

Material: Shell made from 100% recycled polypropylene with fiber glass, HR foam seat covered with fabric or leather upholstery, aluminium swivel base.

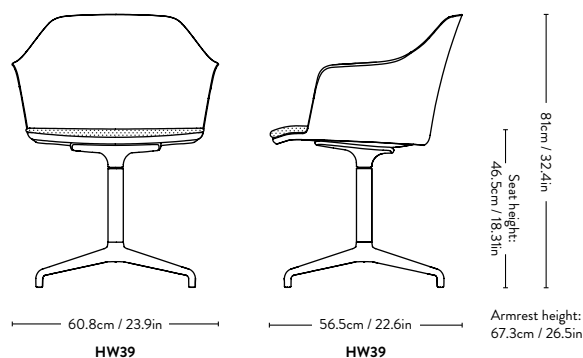
Fabric usage: 0.49 meter based on a 140 cm roll.

Leather usage: 1 square meter based on a yield of 60% pr hide.

COM must be approved by &Tradition to ensure suitability for upholstery.

Plastic gliders installed as standard.

Felt gliders available upon request.



Rely HW40

Hee Welling

2021



Price group	Upholstery	Model	Base	Lead time	Weight	PRICE EX. VAT (SEK)	PRICE INC. VAT (SEK)
Fabric gr. 1	Canvas, Linara, Remix, Re-Wool	HW40	Black, Bronzed, Polished Aluminium	3-6 weeks	9.90 kg	5.596	6.995
Fabric gr. 2	Clay, Divina Melange, Duke, Fiord, Hallingdal, Loop, Ritz, Ruskin, Steelcut, Steelcut Trio, Zero	HW40	Black, Bronzed, Polished Aluminium	3-6 weeks	9.90 kg	6.316	7.895
Fabric gr. 3	Balder, Moss, Nimbus, Sisu, Skai Parotega Artificial leather*, Sunniva, Svevo, Vidar	HW40	Black, Bronzed, Polished Aluminium	3-6 weeks	9.90 kg	7.196	8.995
Fabric gr. 4	Atlas, Gentle, Karakorum, Serafino	HW40	Black, Bronzed, Polished Aluminium	3-6 weeks	9.90 kg	8.556	10.695
Leather	Tailor Semi-aniline leather	HW40	Black, Bronzed, Polished Aluminium	3-6 weeks	9.90 kg	7.436	9.295
Leather	Noble Aniline leather	HW40	Black, Bronzed, Polished Aluminium	3-6 weeks	9.90 kg	8.796	10.995
Leather	Elmosoft Semi-aniline leather	HW40	Black, Bronzed, Polished Aluminium	3-6 weeks	9.90 kg	9.596	11.995
Fabric COM	COM Fabric	HW40	Black, Bronzed, Polished Aluminium	3-6 weeks	9.90 kg	5.596	6.995

*Skai Parotega Artificial leather:
This product contains 0,1-0,2 % C,C'-azodi (formamide), CAS no. 123-77-3.

Material: Shell made from 100% recycled polypropylene with fiber glass, covered with HR foam with fabric or leather upholstery, aluminium swivel base.

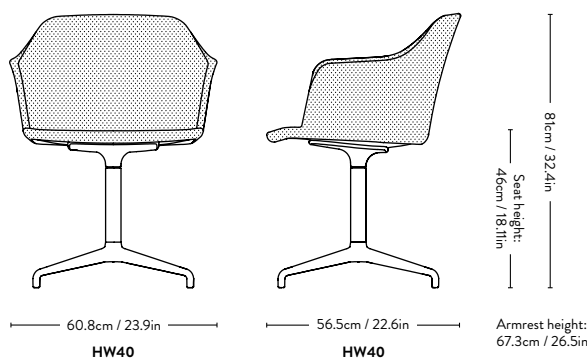
Fabric usage: 1.5 meters based on 140cm roll.

Leather usage: 2.7 square meters based on a yield of 60% pr hide.

Plastic gliders installed as standard.

Felt gliders available upon request.

COM must be approved by &Tradition to ensure suitability for upholstery.



Rely HW41

Hee Welling

2021



Price group	Upholstery	Model	Base	Lead time	Weight	PRICE EX. VAT (SEK)	PRICE INC. VAT (SEK)
Fabric gr. 1	Canvas, Linara, Remix, Re-Wool	HW41	Black, Bronzed, Polished Aluminium	3-6 weeks	11.00 kg	5.916	7.395
Fabric gr. 2	Clay, Divina Melange, Duke, Fiord, Hallingdal, Loop, Ritz, Ruskin, Steelcut, Steelcut Trio, Zero	HW41	Black, Bronzed, Polished Aluminium	3-6 weeks	11.00 kg	6.636	8.295
Fabric gr. 3	Balder, Moss, Nimbus, Sisu, Skai Parotega Artificial leather*, Sunniva, Svevo, Vidar	HW41	Black, Bronzed, Polished Aluminium	3-6 weeks	11.00 kg	7.516	9.395
Fabric gr. 4	Atlas, Gentle, Karakorum, Serafino	HW41	Black, Bronzed, Polished Aluminium	3-6 weeks	11.00 kg	8.956	11.195
Leather	Tailor Semi-aniline leather	HW41	Black, Bronzed, Polished Aluminium	3-6 weeks	11.00 kg	7.756	9.695
Leather	Noble Aniline leather	HW41	Black, Bronzed, Polished Aluminium	3-6 weeks	11.00 kg	9.116	11.395
Leather	Elmosoft Semi-aniline leather	HW41	Black, Bronzed, Polished Aluminium	3-6 weeks	11.00 kg	10.156	12.695
Fabric COM	COM Fabric	HW41	Black, Bronzed, Polished Aluminium	3-6 weeks	11.00 kg	5.916	7.395

*Skai Parotega Artificial leather:
This product contains 0,1-0,2 % C,C'-azodi (formamide), CAS no. 123-77-3.

Material: Shell made from 100% recycled polypropylene with fiber glass, covered with HR foam with fabric or leather upholstery, aluminium swivel base.

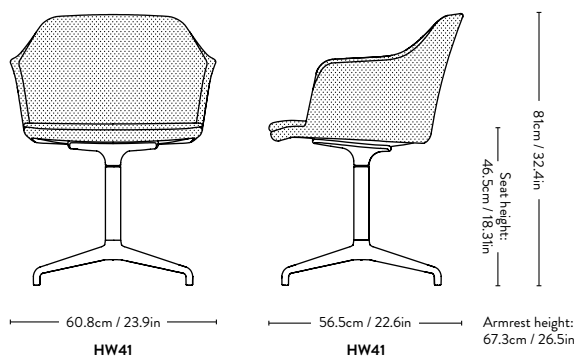
Fabric usage: 2.3 meters based on 140cm roll.

Leather usage: 3.4 square meters based on a yield of 60% pr hide.

Plastic gliders installed as standard.

Felt gliders available upon request.

COM must be approved by &Tradition to ensure suitability for upholstery.



Rely HW42

Hee Welling

2021



Please note that price is accumulated price of shell & seat.

Price group	Shell Upholstery	Base	Lead time	Weight	PRICE EX. VAT (SEK)	PRICE INC. VAT (SEK)
Fabric gr. 1	Canvas, Linara, Remix, Re-Wool	Black, Bronzed, Polished Aluminium	3-6 weeks	11.00 kg	4.716	5.895
Fabric gr. 2	Clay, Divina Melange, Duke, Fiord, Hallingdal, Loop, Ritz, Ruskin, Steelcut, Steelcut Trio, Zero	Black, Bronzed, Polished Aluminium	3-6 weeks	11.00 kg	5.196	6.495
Fabric gr. 3	Balder, Moss, Nimbus, Sisu, Skai Parotega Artificial leather*, Sunniva, Svevo, Vidar	Black, Bronzed, Polished Aluminium	3-6 weeks	11.00 kg	5.596	6.995
Fabric gr. 4	Atlas, Gentle, Karakorum, Serafino	Black, Bronzed, Polished Aluminium	3-6 weeks	11.00 kg	6.556	8.195
Leather	Tailor Semi-aniline leather	Black, Bronzed, Polished Aluminium	3-6 weeks	11.00 kg	5.916	7.395
Leather	Noble Aniline leather	Black, Bronzed, Polished Aluminium	3-6 weeks	11.00 kg	7.196	8.995
Leather	Elmosoft Semi-aniline leather	Black, Bronzed, Polished Aluminium	3-6 weeks	11.00 kg	7.756	9.695
Fabric COM	COM Fabric	Black, Bronzed, Polished Aluminium	3-6 weeks	11.00 kg	4.716	5.895

Price group	Seat Upholstery	Lead time	PRICE EX. VAT (SEK)	PRICE INC. VAT (SEK)
Fabric gr. 1	Canvas, Linara, Remix, Re-Wool	3-6 weeks	1.200	1.500
Fabric gr. 2	Clay, Divina Melange, Duke, Fiord, Hallingdal, Loop, Ritz, Ruskin, Steelcut, Steelcut Trio, Zero	3-6 weeks	1.440	1.800
Fabric gr. 3	Balder, Moss, Nimbus, Sisu, Skai Parotega Artificial leather*, Sunniva, Svevo, Vidar	3-6 weeks	1.920	2.400
Fabric gr. 4	Atlas, Gentle, Karakorum, Serafino	3-6 weeks	2.400	3.000
Leather	Tailor Semi-aniline leather	3-6 weeks	1.840	2.300
Leather	Noble Aniline leather	3-6 weeks	1.920	2.400
Leather	Elmosoft Semi-aniline leather	3-6 weeks	2.400	3.000
Fabric COM	COM Fabric	3-6 weeks	1.200	1.500

*Skai Parotega Artificial leather:
This product contains 0,1-0,2 % C,C'-azodi (formamide), CAS no. 123-77-3.

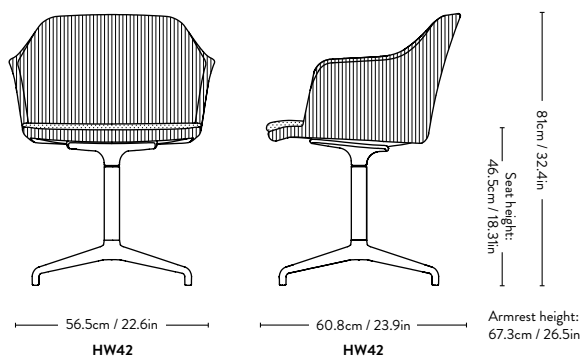
Material: Shell made from 100% recycled polypropylene with fiber glass, covered with HR foam with fabric or leather upholstery, aluminium swivel base.

Fabric usage: 1.5 meters (shell), 0.77 meters (cushion) based on 140cm roll.
Leather usage: 2.64 square meters (shell), 0.77 square meters (cushion) based on a yield of 60% pr hide.

Plastic gliders installed as standard.
Felt gliders available upon request.

COM must be approved by &Tradition to ensure suitability for upholstery.

Minimum order quantity of same variant: 4 pcs.



Rely HW43

Hee Welling

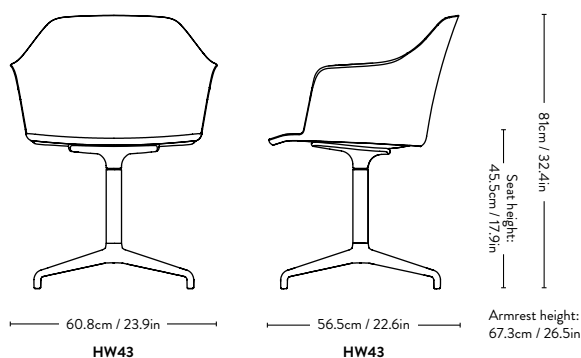
2021



Item code	Shell Colour	Model	Base	Lead time	Weight	PRICE EX. VAT (SEK)	PRICE INC. VAT (SEK)
HW	Black	HW43	Black, Bronzed, Polished Aluminium	2-3 weeks	9.40 kg	3.516	4.395
HW	White	HW43	Black, Bronzed, Polished Aluminium	2-3 weeks	9.40 kg	3.516	4.395
HW	Beige Sand	HW43	Black, Bronzed, Polished Aluminium	2-3 weeks	9.40 kg	3.516	4.395
HW	Red Brown	HW43	Black, Bronzed, Polished Aluminium	2-3 weeks	9.40 kg	3.516	4.395
HW	Light Blue	HW43	Black, Bronzed, Polished Aluminium	2-3 weeks	9.40 kg	3.516	4.395
HW	Stone Grey	HW43	Black, Bronzed, Polished Aluminium	2-3 weeks	9.40 kg	3.516	4.395
HW	Vermilion red NEW	HW43	Black, Bronzed, Polished Aluminium	2-3 weeks	9.40 kg	3.516	4.395
HW	Bronze green NEW	HW43	Black, Bronzed, Polished Aluminium	2-3 weeks	9.40 kg	3.516	4.395
HW	Soft Pink NEW	HW43	Black, Bronzed, Polished Aluminium	2-3 weeks	9.40 kg	3.516	4.395

Material: Shell made from 100% recycled polypropylene with fiber glass and an aluminium swivel base w. return function.

Plastic gliders installed as standard.
Felt gliders available upon request.



Rely HW44

Hee Welling

2021



Price group	Shell Colour	Seat Cushion Upholstery	Base	Lead time	Weight	PRICE EX. VAT (SEK)	PRICE INC. VAT (SEK)
Fabric gr. 1	Black, White, Beige Sand, Red Brown, Light Blue, Stone Grey, Vermilion red, Bronze green, Soft Pink NEW	Canvas, Linara, Remix, Re-Wool	Black, Bronzed, Polished Aluminium	3-6 weeks	10.70 kg	5.116	6.395
Fabric gr. 2	Black, White, Beige Sand, Red Brown, Light Blue, Stone Grey, Vermilion red, Bronze green, Soft Pink NEW	Clay, Divina Melange, Duke, Fiord, Hallingdal, Loop, Ritz, Ruskin, Steelcut, Steelcut Trio, Zero	Black, Bronzed, Polished Aluminium	3-6 weeks	10.70 kg	5.516	6.895
Fabric gr. 3	Black, White, Beige Sand, Red Brown, Light Blue, Stone Grey, Vermilion red, Bronze green, Soft Pink NEW	Balder, Moss, Nimbus, Sisu, Skai, Parotega Artificial leather*, Sunniva, Svevo, Vidar	Black, Bronzed, Polished Aluminium	3-6 weeks	10.70 kg	5.916	7.395
Fabric gr. 4	Black, White, Beige Sand, Red Brown, Light Blue, Stone Grey, Vermilion red, Bronze green, Soft Pink NEW	Atlas, Gentle, Karakorum, Serafino	Black, Bronzed, Polished Aluminium	3-6 weeks	10.70 kg	6.396	7.995
Leather	Black, White, Beige Sand, Red Brown, Light Blue, Stone Grey, Vermilion red, Bronze green, Soft Pink NEW	Tailor Semi-aniline leather	Black, Bronzed, Polished Aluminium	3-6 weeks	10.70 kg	5.596	6.995
Leather	Black, White, Beige Sand, Red Brown, Light Blue, Stone Grey, Vermilion red, Bronze green, Soft Pink NEW	Noble Aniline leather	Black, Bronzed, Polished Aluminium	3-6 weeks	10.70 kg	5.916	7.395
Leather	Black, White, Beige Sand, Red Brown, Light Blue, Stone Grey, Vermilion red, Bronze green, Soft Pink NEW	Elmosoft Semi-aniline leather	Black, Bronzed, Polished Aluminium	3-6 weeks	10.70 kg	6.316	7.895
Fabric COM	Black, White, Beige Sand, Red Brown, Light Blue, Stone Grey, Vermilion red, Bronze green, Soft Pink NEW	COM Fabric	Black, Bronzed, Polished Aluminium	3-6 weeks	10.70 kg	5.116	6.395

*Skai Parotega Artificial leather:
This product contains 0,1-0,2% C,C'-azodi (formamide), CAS no. 123-77-3.

Material: Shell made from 100% recycled polypropylene with fiber glass, HR foam seat covered with fabric or leather upholstery, aluminium swivel base w. return function.

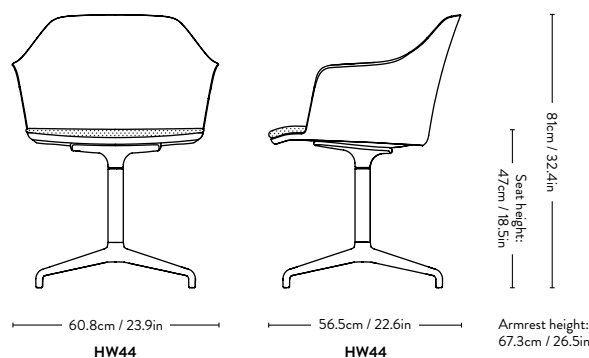
Fabric usage: 0.49 meter based on a 140 cm roll.

Leather usage: 1 square meter based on a yield of 60% pr hide.

COM must be approved by &Tradition to ensure suitability for upholstery.

Plastic gliders installed as standard.

Felt gliders available upon request.



Rely HW45

Hee Welling

2021



Price group	Upholstery	Model	Base	Lead time	Weight	PRICE EX. VAT (SEK)	PRICE INC. VAT (SEK)
Fabric gr. 1	Canvas, Linara, Remix, Re-Wool	HW45	Black, Bronzed, Polished Aluminium	3-6 weeks	9.90 kg	6.076	7.595
Fabric gr. 2	Clay, Divina Melange, Duke, Fiord, Hallingdal, Loop, Ritz, Ruskin, Steelcut, Steelcut Trio, Zero	HW45	Black, Bronzed, Polished Aluminium	3-6 weeks	9.90 kg	6.716	8.395
Fabric gr. 3	Balder, Moss, Nimbus, Sisu, Skai Parotega Artificial leather*, Sunniva, Svevo, Vidar	HW45	Black, Bronzed, Polished Aluminium	3-6 weeks	9.90 kg	7.676	9.595
Fabric gr. 4	Atlas, Gentle, Karakorum, Serafino	HW45	Black, Bronzed, Polished Aluminium	3-6 weeks	9.90 kg	9.036	11.295
Leather	Tailor Semi-aniline leather	HW45	Black, Bronzed, Polished Aluminium	3-6 weeks	9.90 kg	7.916	9.895
Leather	Noble Aniline leather	HW45	Black, Bronzed, Polished Aluminium	3-6 weeks	9.90 kg	9.276	11.595
Leather	Elmosoft Semi-aniline leather	HW45	Black, Bronzed, Polished Aluminium	3-6 weeks	9.90 kg	10.076	12.595
Fabric COM	COM Fabric	HW45	Black, Bronzed, Polished Aluminium	3-6 weeks	9.90 kg	6.076	7.595

*Skai Parotega Artificial leather:
This product contains 0,1-0,2 % C,C'-azodi (formamide), CAS no. 123-77-3.

Material: Shell made from 100% recycled polypropylene with fiber glass, covered with HR foam with fabric or leather upholstery, aluminium swivel base with return.

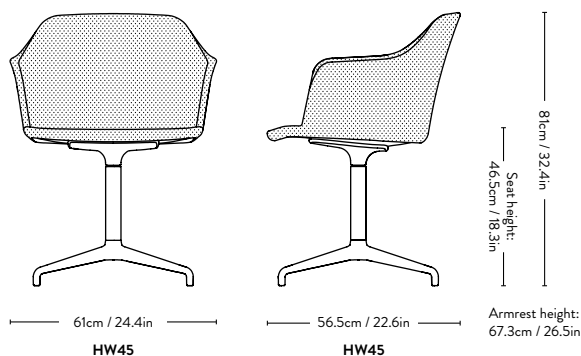
Fabric usage: 1.5 meters based on 140cm roll.

Leather usage: 2.7 square meters based on a yield of 60% pr hide.

Plastic gliders installed as standard.

Felt gliders available upon request.

COM must be approved by &Tradition to ensure suitability for upholstery.



Rely HW46 Hee Welling 2021



Price group	Upholstery	Model	Base	Lead time	Weight	PRICE EX. VAT (SEK)	PRICE INC. VAT (SEK)
Fabric gr. 1	Canvas, Linara, Remix, Re-Wool	HW46	Black, Bronzed, Polished Aluminium	3-6 weeks	11.00 kg	6.396	7.995
Fabric gr. 2	Clay, Divina Melange, Duke, Fiord, Hallingdal, Loop, Ritz, Ruskin, Steelcut, Steelcut Trio, Zero	HW46	Black, Bronzed, Polished Aluminium	3-6 weeks	11.00 kg	7.116	8.895
Fabric gr. 3	Balder, Moss, Nimbus, Sisu, Skai Parotega Artificial leather*, Sunniva, Svevo, Vidar	HW46	Black, Bronzed, Polished Aluminium	3-6 weeks	11.00 kg	7.996	9.995
Fabric gr. 4	Atlas, Gentle, Karakorum, Serafino	HW46	Black, Bronzed, Polished Aluminium	3-6 weeks	11.00 kg	9.356	11.695
Leather	Tailor Semi-aniline leather	HW46	Black, Bronzed, Polished Aluminium	3-6 weeks	11.00 kg	8.236	10.295
Leather	Noble Aniline leather	HW46	Black, Bronzed, Polished Aluminium	3-6 weeks	11.00 kg	9.596	11.995
Leather	Elmosoft Semi-aniline leather	HW46	Black, Bronzed, Polished Aluminium	3-6 weeks	11.00 kg	10.636	13.295
Fabric COM	COM Fabric	HW46	Black, Bronzed, Polished Aluminium	3-6 weeks	11.00 kg	6.396	7.995

*Skai Parotega Artificial leather:
This product contains 0,1-0,2% C,C'-azodi (formamide), CAS no. 123-77-3.

Material: Shell made from 100% recycled polypropylene with fiber glass, covered with HR foam with fabric or leather upholstery, aluminium swivel base with return.

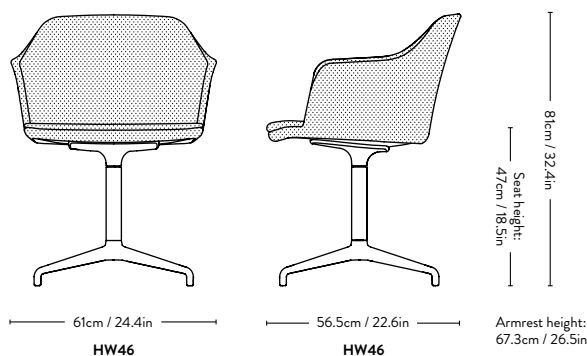
Fabric usage: 2.3 meters based on 140cm roll.

Leather usage: 3.4 square meters based on a yield of 60% pr hide.

Plastic gliders installed as standard.

Felt gliders available upon request.

COM must be approved by &Tradition to ensure suitability for upholstery.



Rely ^{HW47} Hee Welling 2021



Please note that price is accumulated price of shell & seat.

Price group	Shell Upholstery	Base	Lead time	Weight	PRICE EX. VAT (SEK)	PRICE INC. VAT (SEK)
Fabric gr. 1	Canvas, Linara, Remix, Re-Wool	Black, Bronzed, Polished Aluminium	3-6 weeks	11.00 kg	5.196	6.495
Fabric gr. 2	Clay, Divina Melange, Duke, Fiord, Hallingdal, Loop, Ritz, Ruskin, Steelcut, Steelcut Trio, Zero	Black, Bronzed, Polished Aluminium	3-6 weeks	11.00 kg	5.676	7.095
Fabric gr. 3	Balder, Moss, Nimbus, Sisu, Skai Parotega Artificial leather*, Sunniva, Svevo, Vidar	Black, Bronzed, Polished Aluminium	3-6 weeks	11.00 kg	6.076	7.595
Fabric gr. 4	Atlas, Gentle, Karakorum, Serafino	Black, Bronzed, Polished Aluminium	3-6 weeks	11.00 kg	6.956	8.695
Leather	Tailor Semi-aniline leather	Black, Bronzed, Polished Aluminium	3-6 weeks	11.00 kg	6.396	7.995
Leather	Noble Aniline leather	Black, Bronzed, Polished Aluminium	3-6 weeks	11.00 kg	7.676	9.595
Leather	Elmosoft Semi-aniline leather	Black, Bronzed, Polished Aluminium	3-6 weeks	11.00 kg	8.236	10.295
Fabric COM	COM Fabric	Black, Bronzed, Polished Aluminium	3-6 weeks	11.00 kg	5.196	6.495

Price group	Seat Upholstery	Lead time	PRICE EX. VAT (SEK)	PRICE INC. VAT (SEK)
Fabric gr. 1	Canvas, Linara, Remix, Re-Wool	3-6 weeks	1.200	1.500
Fabric gr. 2	Clay, Divina Melange, Duke, Fiord, Hallingdal, Loop, Ritz, Ruskin, Steelcut, Steelcut Trio, Zero	3-6 weeks	1.440	1.800
Fabric gr. 3	Balder, Moss, Nimbus, Sisu, Skai Parotega Artificial leather*, Sunniva, Svevo, Vidar	3-6 weeks	1.920	2.400
Fabric gr. 4	Atlas, Gentle, Karakorum, Serafino	3-6 weeks	2.400	3.000
Leather	Tailor Semi-aniline leather	3-6 weeks	1.840	2.300
Leather	Noble Aniline leather	3-6 weeks	1.920	2.400
Leather	Elmosoft Semi-aniline leather	3-6 weeks	2.400	3.000
Fabric COM	COM Fabric	3-6 weeks	1.200	1.500

*Skai Parotega Artificial leather:
This product contains 0,1-0,2% C,C'-azodi (formamide), CAS no. 123-77-3.

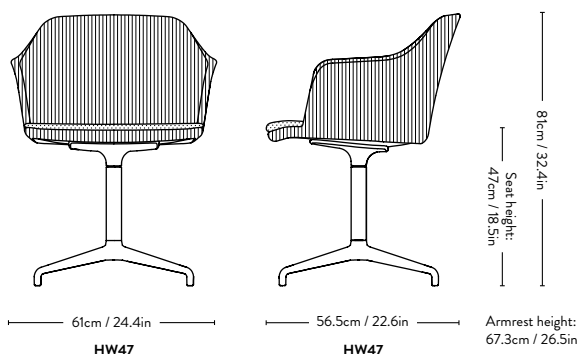
Material: Shell made from 100% recycled polypropylene with fiber glass, covered with HR foam with fabric or leather upholstery, aluminium swivel base with return.

Fabric usage: 1.5 meters (shell), 0.77 meters (cushion) based on 140cm roll.
Leather usage: 2.64 square meters (shell), 0.77 square meters (cushion) based on a yield of 60% pr hide.

Plastic gliders installed as standard.
Felt gliders available upon request.

COM must be approved by &Tradition to ensure suitability for upholstery.

Minimum order quantity of same variant: 4 pcs.



Rely HW48

Hee Welling

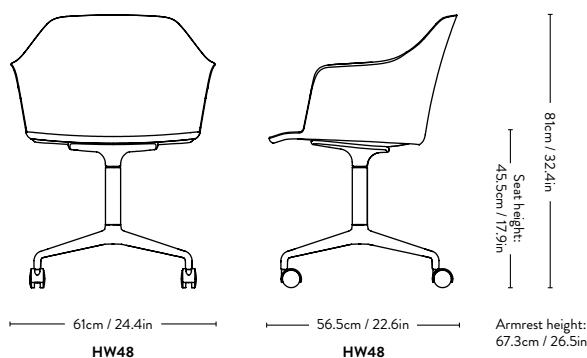
2021



Item code	Shell Colour	Model	Base	Lead time	Weight	PRICE EX. VAT (SEK)	PRICE INC. VAT (SEK)
HW	Black	HW48	Black, Bronzed, Polished Aluminium	2-3 weeks	9.40 kg	3.516	4.395
HW	White	HW48	Black, Bronzed, Polished Aluminium	2-3 weeks	9.40 kg	3.516	4.395
HW	Beige Sand	HW48	Black, Bronzed, Polished Aluminium	2-3 weeks	9.40 kg	3.516	4.395
HW	Red Brown	HW48	Black, Bronzed, Polished Aluminium	2-3 weeks	9.40 kg	3.516	4.395
HW	Light Blue	HW48	Black, Bronzed, Polished Aluminium	2-3 weeks	9.40 kg	3.516	4.395
HW	Stone Grey	HW48	Black, Bronzed, Polished Aluminium	2-3 weeks	9.40 kg	3.516	4.395
HW	Vermilion red NEW	HW48	Black, Bronzed, Polished Aluminium	2-3 weeks	9.40 kg	3.516	4.395
HW	Bronze green NEW	HW48	Black, Bronzed, Polished Aluminium	2-3 weeks	9.40 kg	3.516	4.395
HW	Soft Pink NEW	HW48	Black, Bronzed, Polished Aluminium	2-3 weeks	9.40 kg	3.516	4.395

Material: Shell made from 100% recycled polypropylene with fiber glass, aluminium swivel base with castors.

Suitable for all floor types.



Rely HW49

Hee Welling

2021



Price group	Shell Colour	Seat Cushion Upholstery	Base	Lead time	Weight	PRICE EX. VAT (SEK)	PRICE INC. VAT (SEK)
Fabric gr. 1	Black, White, Beige Sand, Red Brown, Light Blue, Stone Grey, Vermilion red, Bronze green, Soft Pink NEW	Canvas, Linara, Remix, Re-Wool	Black, Bronzed, Polished Aluminium	3-6 weeks	10.70 kg	5.116	6.395
Fabric gr. 2	Black, White, Beige Sand, Red Brown, Light Blue, Stone Grey, Vermilion red, Bronze green, Soft Pink NEW	Clay, Divina Melange, Duke, Fiord, Hallingdal, Loop, Ritz, Ruskin, Steelcut, Steelcut Trio, Zero	Black, Bronzed, Polished Aluminium	3-6 weeks	10.70 kg	5.516	6.895
Fabric gr. 3	Black, White, Beige Sand, Red Brown, Light Blue, Stone Grey, Vermilion red, Bronze green, Soft Pink NEW	Balder, Moss, Nimbus, Sisu, Skai, Parotega Artificial leather*, Sunniva, Svevo, Vidar	Black, Bronzed, Polished Aluminium	3-6 weeks	10.70 kg	5.916	7.395
Fabric gr. 4	Black, White, Beige Sand, Red Brown, Light Blue, Stone Grey, Vermilion red, Bronze green, Soft Pink NEW	Atlas, Gentle, Karakorum, Serafino	Black, Bronzed, Polished Aluminium	3-6 weeks	10.70 kg	6.396	7.995
Leather	Black, White, Beige Sand, Red Brown, Light Blue, Stone Grey, Vermilion red, Bronze green, Soft Pink NEW	Tailor Semi-aniline leather	Black, Bronzed, Polished Aluminium	3-6 weeks	10.70 kg	5.596	6.995
Leather	Black, White, Beige Sand, Red Brown, Light Blue, Stone Grey, Vermilion red, Bronze green, Soft Pink NEW	Noble Aniline leather	Black, Bronzed, Polished Aluminium	3-6 weeks	10.70 kg	5.916	7.395
Leather	Black, White, Beige Sand, Red Brown, Light Blue, Stone Grey, Vermilion red, Bronze green, Soft Pink NEW	Elmosoft Semi-aniline leather	Black, Bronzed, Polished Aluminium	3-6 weeks	10.70 kg	6.316	7.895
Fabric COM	Black, White, Beige Sand, Red Brown, Light Blue, Stone Grey, Vermilion red, Bronze green, Soft Pink NEW	COM Fabric	Black, Bronzed, Polished Aluminium	3-6 weeks	10.70 kg	5.116	6.395

*Skai Parotega Artificial leather:
This product contains 0,1-0,2% C,C'-azodi (formamide), CAS no. 123-77-3.

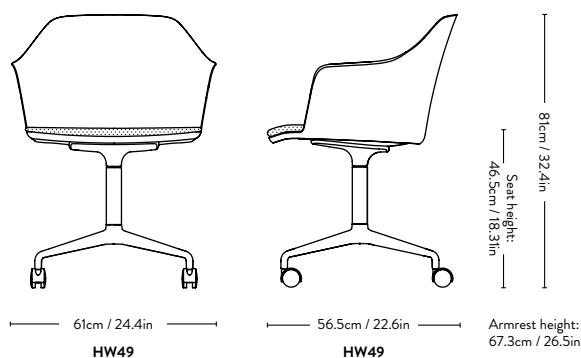
Material: Shell made from 100% recycled polypropylene with fiber glass, HR foam seat covered with fabric or leather upholstery, aluminium swivel base and castors.

Suitable for all floor types.

Fabric usage: 0.49 meter based on a 140 cm roll.

Leather usage: 1 square meter based on a yield of 60% pr hide.

COM must be approved by &Tradition to ensure suitability for upholstery.



Rely HW50

Hee Welling

2021



Price group	Upholstery	Model	Base	Lead time	Weight	PRICE EX. VAT (SEK)	PRICE INC. VAT (SEK)
Fabric gr. 1	Canvas, Linara, Remix, Re-Wool	HW50	Black, Bronzed, Polished Aluminium	3-6 weeks	9.90 kg	6.076	7.595
Fabric gr. 2	Clay, Divina Melange, Duke, Fiord, Hallingdal, Loop, Ritz, Ruskin, Steelcut, Steelcut Trio, Zero	HW50	Black, Bronzed, Polished Aluminium	3-6 weeks	9.90 kg	6.716	8.395
Fabric gr. 3	Balder, Moss, Nimbus, Sisu, Skai Parotega Artificial leather*, Sunniva, Svevo, Vidar	HW50	Black, Bronzed, Polished Aluminium	3-6 weeks	9.90 kg	7.676	9.595
Fabric gr. 4	Atlas, Gentle, Karakorum, Serafino	HW50	Black, Bronzed, Polished Aluminium	3-6 weeks	9.90 kg	9.036	11.295
Leather	Tailor Semi-aniline leather	HW50	Black, Bronzed, Polished Aluminium	3-6 weeks	9.90 kg	7.916	9.895
Leather	Noble Aniline leather	HW50	Black, Bronzed, Polished Aluminium	3-6 weeks	9.90 kg	9.276	11.595
Leather	Elmosoft Semi-aniline leather	HW50	Black, Bronzed, Polished Aluminium	3-6 weeks	9.90 kg	10.076	12.595
Fabric COM	COM Fabric	HW50	Black, Bronzed, Polished Aluminium	3-6 weeks	9.90 kg	6.076	7.595

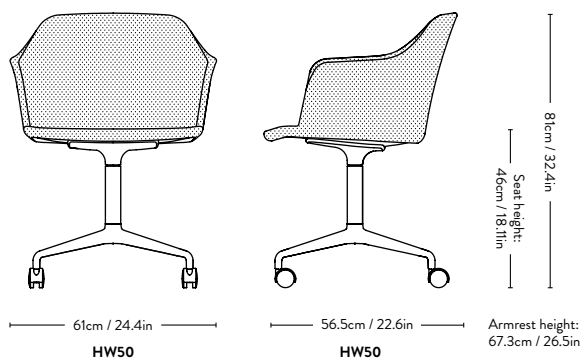
*Skai Parotega Artificial leather:
This product contains 0,1-0,2% C,C'-azodi (formamide), CAS no. 123-77-3.

Material: Shell made from 100% recycled polypropylene with fiber glass, covered with HR foam with fabric or leather upholstery, aluminium swivel base with castors.

Fabric usage: 1.5 meters based on 140cm roll.

Leather usage: 2.7 square meters based on a yield of 60% pr hide.

COM must be approved by &Tradition to ensure suitability for upholstery.



Rely HW51

Hee Welling

2021



Price group	Upholstery	Model	Base	Lead time	Weight	PRICE EX. VAT (SEK)	PRICE INC. VAT (SEK)
Fabric gr. 1	Canvas, Linara, Remix, Re-Wool	HW51	Black, Bronzed, Polished Aluminium	3-6 weeks	11.00 kg	6.396	7.995
Fabric gr. 2	Clay, Divina Melange, Duke, Fiord, Hallingdal, Loop, Ritz, Ruskin, Steelcut, Steelcut Trio, Zero	HW51	Black, Bronzed, Polished Aluminium	3-6 weeks	11.00 kg	7.116	8.895
Fabric gr. 3	Balder, Moss, Nimbus, Sisu, Skai Parotega Artificial leather*, Sunniva, Svevo, Vidar	HW51	Black, Bronzed, Polished Aluminium	3-6 weeks	11.00 kg	7.996	9.995
Fabric gr. 4	Atlas, Gentle, Karakorum, Serafino	HW51	Black, Bronzed, Polished Aluminium	3-6 weeks	11.00 kg	9.356	11.695
Leather	Tailor Semi-aniline leather	HW51	Black, Bronzed, Polished Aluminium	3-6 weeks	11.00 kg	8.236	10.295
Leather	Noble Aniline leather	HW51	Black, Bronzed, Polished Aluminium	3-6 weeks	11.00 kg	9.596	11.995
Leather	Elmosoft Semi-aniline leather	HW51	Black, Bronzed, Polished Aluminium	3-6 weeks	11.00 kg	10.636	13.295
Fabric COM	COM Fabric	HW51	Black, Bronzed, Polished Aluminium	3-6 weeks	11.00 kg	6.396	7.995

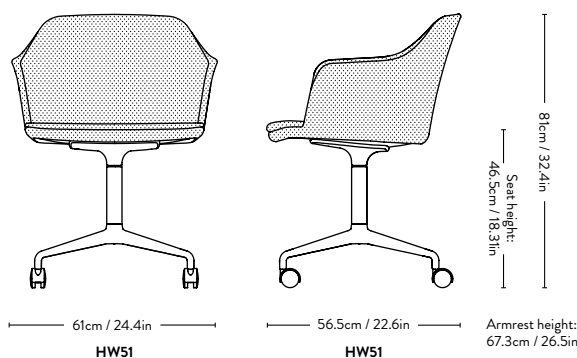
*Skai Parotega Artificial leather:
This product contains 0,1-0,2% C,C'-azodi (formamide), CAS no. 123-77-3.

Material: Shell made from 100% recycled polypropylene with fiber glass, covered with HR foam with fabric or leather upholstery, aluminium swivel base with castors.

Fabric usage: 2.3 meters based on 140cm roll.

Leather usage: 3.4 square meters based on a yield of 60% pr hide.

COM must be approved by &Tradition to ensure suitability for upholstery.



Rely HW52

Hee Welling

2021



Please note that price is accumulated price of shell & seat.

Price group	Shell Upholstery	Base	Lead time	Weight	PRICE EX. VAT (SEK)	PRICE INC. VAT (SEK)
Fabric gr. 1	Canvas, Linara, Remix, Re-Wool	Black, Bronzed, Polished Aluminium	3-6 weeks	11.00 kg	5.196	6.495
Fabric gr. 2	Clay, Divina Melange, Duke, Fiord, Hallingdal, Loop, Ritz, Ruskin, Steelcut, Steelcut Trio, Zero	Black, Bronzed, Polished Aluminium	3-6 weeks	11.00 kg	5.676	7.095
Fabric gr. 3	Balder, Moss, Nimbus, Sisu, Skai Parotega Artificial leather*, Sunniva, Svevo, Vidar	Black, Bronzed, Polished Aluminium	3-6 weeks	11.00 kg	6.076	7.595
Fabric gr. 4	Atlas, Gentle, Karakorum, Serafino	Black, Bronzed, Polished Aluminium	3-6 weeks	11.00 kg	6.956	8.695
Leather	Tailor Semi-aniline leather	Black, Bronzed, Polished Aluminium	3-6 weeks	11.00 kg	6.396	7.995
Leather	Noble Aniline leather	Black, Bronzed, Polished Aluminium	3-6 weeks	11.00 kg	7.676	9.595
Leather	Elmosoft Semi-aniline leather	Black, Bronzed, Polished Aluminium	3-6 weeks	11.00 kg	8.236	10.295
Fabric COM	COM Fabric	Black, Bronzed, Polished Aluminium	3-6 weeks	11.00 kg	5.196	6.495

Price group	Seat Upholstery	Lead time	PRICE EX. VAT (SEK)	PRICE INC. VAT (SEK)
Fabric gr. 1	Canvas, Linara, Remix, Re-Wool	3-6 weeks	1.200	1.500
Fabric gr. 2	Clay, Divina Melange, Duke, Fiord, Hallingdal, Loop, Ritz, Ruskin, Steelcut, Steelcut Trio, Zero	3-6 weeks	1.440	1.800
Fabric gr. 3	Balder, Moss, Nimbus, Sisu, Skai Parotega Artificial leather*, Sunniva, Svevo, Vidar	3-6 weeks	1.920	2.400
Fabric gr. 4	Atlas, Gentle, Karakorum, Serafino	3-6 weeks	2.400	3.000
Leather	Tailor Semi-aniline leather	3-6 weeks	1.840	2.300
Leather	Noble Aniline leather	3-6 weeks	1.920	2.400
Leather	Elmosoft Semi-aniline leather	3-6 weeks	2.400	3.000
Fabric COM	COM Fabric	3-6 weeks	1.200	1.500

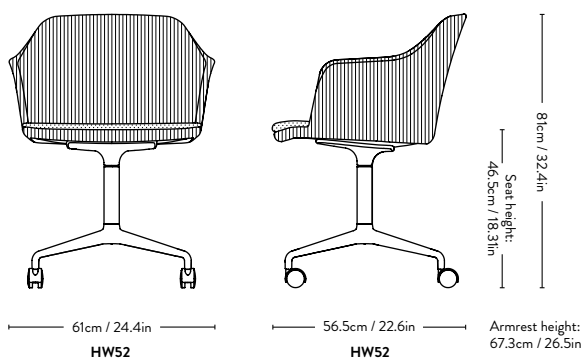
*Skai Parotega Artificial leather:
This product contains 0,1-0,2% C,C'-azodi (formamide), CAS no. 123-77-3.

Material: Shell made from 100% recycled polypropylene with fiber glass, covered with HR foam with fabric or leather upholstery, aluminium swivel base with castors.

Fabric usage: 1.5 meters (shell), 0.77 meters (cushion) based on 140cm roll.
Leather usage: 2.64 square meters (shell), 0.77 square meters (cushion) based on a yield of 60% pr hide.

COM must be approved by &Tradition to ensure suitability for upholstery.

Minimum order quantity of same variant: 4 pcs.



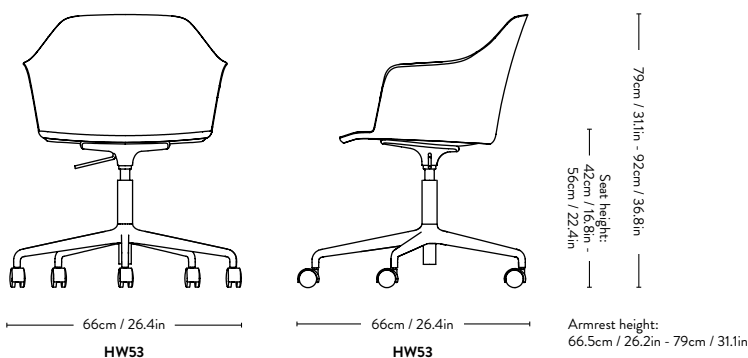
Rely ^{HW53} Hee Welling 2021



Item code	Shell Colour	Model	Base	Lead time	Weight	PRICE EX. VAT (SEK)	PRICE INC. VAT (SEK)
HW	Black	HW53	Black, Polished Aluminium	2-3 weeks	10.50 kg	4.236	5.295
HW	White	HW53	Black, Polished Aluminium	2-3 weeks	10.50 kg	4.236	5.295
HW	Beige Sand	HW53	Black, Polished Aluminium	2-3 weeks	10.50 kg	4.236	5.295
HW	Red Brown	HW53	Black, Polished Aluminium	2-3 weeks	10.50 kg	4.236	5.295
HW	Light Blue	HW53	Black, Polished Aluminium	2-3 weeks	10.50 kg	4.236	5.295
HW	Stone Grey	HW53	Black, Polished Aluminium	2-3 weeks	10.50 kg	4.236	5.295
HW	Vermilion red NEW	HW53	Black, Polished Aluminium	2-3 weeks	10.50 kg	4.236	5.295
HW	Bronze green NEW	HW53	Black, Polished Aluminium	2-3 weeks	10.50 kg	4.236	5.295
HW	Soft Pink NEW	HW53	Black, Polished Aluminium	2-3 weeks	10.50 kg	4.236	5.295

Material: Shell made from 100% recycled polypropylene with fiber glass, cast aluminium 5-star swivel base w. gaslift & castors.

Suitable for all floor types.



Rely HW54

Hee Welling

2021



Price group	Shell Colour	Seat Cushion Upholstery	Base	Lead time	Weight	PRICE EX. VAT (SEK)	PRICE INC. VAT (SEK)
Fabric gr. 1	Black, White, Beige Sand, Red Brown, Light Blue, Stone Grey, Vermilion red, Bronze green, Soft Pink NEW	Canvas, Linara, Remix, Re-Wool	Black, Polished Aluminium	3-6 weeks	11.80 kg	5.356	6.695
Fabric gr. 2	Black, White, Beige Sand, Red Brown, Light Blue, Stone Grey, Vermilion red, Bronze green, Soft Pink NEW	Clay, Divina Melange, Duke, Fiord, Hallingdal, Loop, Ritz, Ruskin, Steelcut, Steelcut Trio, Zero	Black, Polished Aluminium	3-6 weeks	11.80 kg	5.676	7.095
Fabric gr. 3	Black, White, Beige Sand, Red Brown, Light Blue, Stone Grey, Vermilion red, Bronze green, Soft Pink NEW	Balder, Moss, Nimbus, Sisu, Skai, Parotega Artificial leather*, Sunniva, Svevo, Vidar	Black, Polished Aluminium	3-6 weeks	11.80 kg	6.156	7.695
Fabric gr. 4	Black, White, Beige Sand, Red Brown, Light Blue, Stone Grey, Vermilion red, Bronze green, Soft Pink NEW	Atlas, Gentle, Karakorum, Serafino	Black, Polished Aluminium	3-6 weeks	11.80 kg	6.636	8.295
Leather	Black, White, Beige Sand, Red Brown, Light Blue, Stone Grey, Vermilion red, Bronze green, Soft Pink NEW	Tailor Semi-aniline leather	Black, Polished Aluminium	3-6 weeks	11.80 kg	5.836	7.295
Leather	Black, White, Beige Sand, Red Brown, Light Blue, Stone Grey, Vermilion red, Bronze green, Soft Pink NEW	Noble Aniline leather	Black, Polished Aluminium	3-6 weeks	11.80 kg	6.156	7.695
Leather	Black, White, Beige Sand, Red Brown, Light Blue, Stone Grey, Vermilion red, Bronze green, Soft Pink NEW	Elmosoft Semi-aniline leather	Black, Polished Aluminium	3-6 weeks	11.80 kg	6.716	8.395
Fabric COM	Black, White, Beige Sand, Red Brown, Light Blue, Stone Grey, Vermilion red, Bronze green, Soft Pink NEW	COM Fabric	Black, Polished Aluminium	3-6 weeks	11.80 kg	5.356	6.695

*Skai Parotega Artificial leather:
This product contains 0,1-0,2 % C,C'-azodi (formamide), CAS no. 123-77-3.

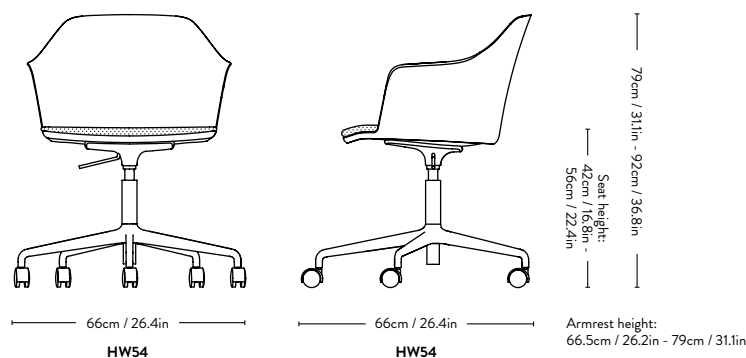
Material: Shell made from 100% recycled polypropylene with fiber glass, seat covered in HR foam with fabric or leather upholstery, cast aluminium 5-star swivel base w. gaslift & castors.

Suitable for all floor types.

Fabric usage: 0.49 meter based on a 140 cm roll.

Leather usage: 1 square meter based on a yield of 60% pr hide.

COM must be approved by &Tradition to ensure suitability for upholstery.



Rely ^{HW55} Hee Welling 2021



Price group	Upholstery	Model	Base	Lead time	Weight	PRICE EX. VAT (SEK)	PRICE INC. VAT (SEK)
Fabric gr. 1	Canvas, Linara, Remix, Re-Wool	HW55	Black, Polished Aluminium	3-6 weeks	11.00 kg	6.476	8.095
Fabric gr. 2	Clay, Divina Melange, Duke, Fiord, Hallingdal, Loop, Ritz, Ruskin, Steelcut, Steelcut Trio, Zero	HW55	Black, Polished Aluminium	3-6 weeks	11.00 kg	7.196	8.995
Fabric gr. 3	Balder, Moss, Nimbus, Sisu, Skai Parotega Artificial leather*, Sunniva, Svevo, Vidar	HW55	Black, Polished Aluminium	3-6 weeks	11.00 kg	8.156	10.195
Fabric gr. 4	Atlas, Gentle, Karakorum, Serafino	HW55	Black, Polished Aluminium	3-6 weeks	11.00 kg	9.516	11.895
Leather	Tailor Semi-aniline leather	HW55	Black, Polished Aluminium	3-6 weeks	11.00 kg	8.316	10.395
Leather	Noble Aniline leather	HW55	Black, Polished Aluminium	3-6 weeks	11.00 kg	9.756	12.195
Leather	Elmosoft Semi-aniline leather	HW55	Black, Polished Aluminium	3-6 weeks	11.00 kg	10.556	13.195
Fabric COM	COM Fabric	HW55	Black, Polished Aluminium	3-6 weeks	11.00 kg	6.476	8.095

*Skai Parotega Artificial leather:
This product contains 0,1-0,2 % C,C'-azodi (formamide), CAS no. 123-77-3.

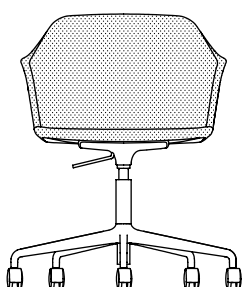
Material: Shell made from 100% recycled polypropylene with fiber glass, covered with HR foam with fabric or leather upholstery, cast aluminium 5-star swivel base w. gaslift & castors.

Suitable for all floor types.

Fabric usage: 1.5 meters based on 140cm roll.

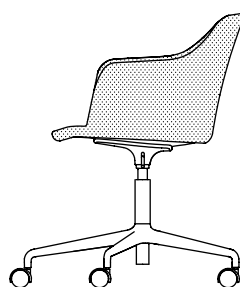
Leather usage: 2.7 square meters based on a yield of 60% pr hide.

COM must be approved by &Tradition to ensure suitability for upholstery.



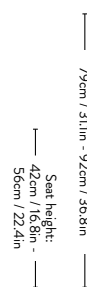
66cm / 26.4in

HW55



66cm / 26.4in

HW55



79cm / 31.1in - 92cm / 36.8in
42cm / 16.8in - 50cm / 22.4in
Seat height:

Armrest height:
66.5cm / 26.2in - 79cm / 31.1in

Rely HW56

Hee Welling

2021



Price group	Upholstery	Model	Base	Lead time	Weight	PRICE EX. VAT (SEK)	PRICE INC. VAT (SEK)
Fabric gr. 1	Canvas, Linara, Remix, Re-Wool	HW56	Black, Polished Aluminium	3-6 weeks	12.10 kg	6.876	8.595
Fabric gr. 2	Clay, Divina Melange, Duke, Fiord, Hallingdal, Loop, Ritz, Ruskin, Steelcut, Steelcut Trio, Zero	HW56	Black, Polished Aluminium	3-6 weeks	12.10 kg	7.516	9.395
Fabric gr. 3	Balder, Moss, Nimbus, Sisu, Skai Parotega Artificial leather*, Sunniva, Svevo, Vidar	HW56	Black, Polished Aluminium	3-6 weeks	12.10 kg	8.476	10.595
Fabric gr. 4	Atlas, Gentle, Karakorum, Serafino	HW56	Black, Polished Aluminium	3-6 weeks	12.10 kg	9.836	12.295
Leather	Tailor Semi-aniline leather	HW56	Black, Polished Aluminium	3-6 weeks	12.10 kg	8.716	10.895
Leather	Noble Aniline leather	HW56	Black, Polished Aluminium	3-6 weeks	12.10 kg	10.076	12.595
Leather	Elmosoft Semi-aniline leather	HW56	Black, Polished Aluminium	3-6 weeks	12.10 kg	11.116	13.895
Fabric COM	COM Fabric	HW56	Black, Polished Aluminium	3-6 weeks	12.10 kg	6.876	8.595

*Skai Parotega Artificial leather:
This product contains 0,1-0,2 % C,C'-azodi (formamide), CAS no. 123-77-3.

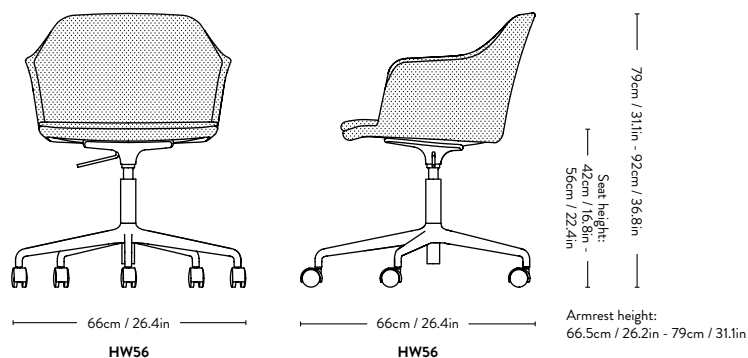
Material: Shell made from 100% recycled polypropylene with fiber glass, covered with HR foam with fabric or leather upholstery, cast aluminium 5-star swivel base w. gaslift & castors.

Suitable for all floor types.

Fabric usage: 2.3 meters based on 140cm roll.

Leather usage: 3.4 square meters based on a yield of 60% pr hide.

COM must be approved by &Tradition to ensure suitability for upholstery.



Rely ^{HW57} Hee Welling 2021



Please note that price is accumulated price of shell & seat.

Price group	Shell Upholstery	Base	Lead time	Weight	PRICE EX. VAT (SEK)	PRICE INC. VAT (SEK)
Fabric gr. 1	Canvas, Linara, Remix, Re-Wool	Black, Polished Aluminium	3-6 weeks	12.10 kg	5.676	7.095
Fabric gr. 2	Clay, Divina Melange, Duke, Fiord, Hallingdal, Loop, Ritz, Ruskin, Steelcut, Steelcut Trio, Zero	Black, Polished Aluminium	3-6 weeks	12.10 kg	6.076	7.595
Fabric gr. 3	Balder, Moss, Nimbus, Sisu, Skai Parotega Artificial leather*, Sunniva, Svevo, Vidar	Black, Polished Aluminium	3-6 weeks	12.10 kg	6.556	8.195
Fabric gr. 4	Atlas, Gentle, Karakorum, Serafino	Black, Polished Aluminium	3-6 weeks	12.10 kg	7.436	9.295
Leather	Tailor Semi-aniline leather	Black, Polished Aluminium	3-6 weeks	12.10 kg	6.876	8.595
Leather	Noble Aniline leather	Black, Polished Aluminium	3-6 weeks	12.10 kg	8.156	10.195
Leather	Elmosoft Semi-aniline leather	Black, Polished Aluminium	3-6 weeks	12.10 kg	8.716	10.895
Fabric COM	COM Fabric	Black, Polished Aluminium	3-6 weeks	12.10 kg	5.676	7.095

Price group	Seat Upholstery	Lead time	PRICE EX. VAT (SEK)	PRICE INC. VAT (SEK)
Fabric gr. 1	Canvas, Linara, Remix, Re-Wool	3-6 weeks	1.200	1.500
Fabric gr. 2	Clay, Divina Melange, Duke, Fiord, Hallingdal, Loop, Ritz, Ruskin, Steelcut, Steelcut Trio, Zero	3-6 weeks	1.440	1.800
Fabric gr. 3	Balder, Moss, Nimbus, Sisu, Skai Parotega Artificial leather*, Sunniva, Svevo, Vidar	3-6 weeks	1.920	2.400
Fabric gr. 4	Atlas, Gentle, Karakorum, Serafino	3-6 weeks	2.400	3.000
Leather	Tailor Semi-aniline leather	3-6 weeks	1.840	2.300
Leather	Noble Aniline leather	3-6 weeks	1.920	2.400
Leather	Elmosoft Semi-aniline leather	3-6 weeks	2.400	3.000
Fabric COM	COM Fabric	3-6 weeks	1.200	1.500

*Skai Parotega Artificial leather:
This product contains 0,1-0,2 % C,C'-azodi (formamide), CAS no. 123-77-3.

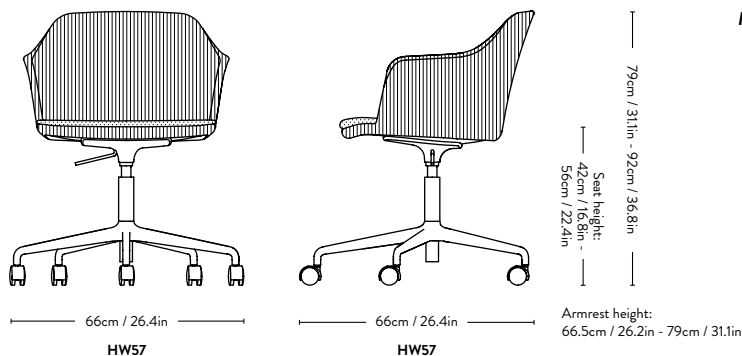
Material: Shell made from 100% recycled polypropylene with fiber glass, covered with HR foam with fabric or leather upholstery, cast aluminium 5-star swivel base w. gaslift & castors.

Suitable for all floor types.

Fabric usage: 1.5 meters (shell), 0.77 meters (cushion) based on 140cm roll.
Leather usage: 2.64 square meters (shell), 0.77 square meters (cushion). based on a yield of 60% pr hide.

COM must be approved by &Tradition to ensure suitability for upholstery.

Minimum order quantity of same variant: 4 pcs.



Rely ^{HW70} Hee Welling 2022

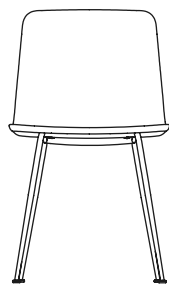
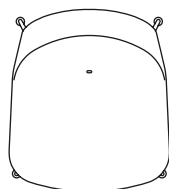


Item code	Shell Colour	Model	Base	Colli qty.	Lead time	Weight	PRICE EX. VAT (SEK)	PRICE INC. VAT (SEK)
HW	Black	HW70	Black	1 pc	3-6 weeks	5.20 kg	2.076	2.595
HW	White	HW70	Black	1 pc	3-6 weeks	5.20 kg	2.076	2.595

Material: Shell made from 100% recycled polypropylene with fiber glass and a steel tube base.

Plastic gliders installed as standard.

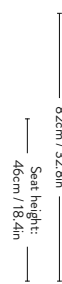
Small hole in the shell for water drainage.
Black outdoor powder coating UV-resistant.



47cm / 18.8in
HW70



55cm / 21.6in
HW70



82cm / 32.8in
Seat height:
46cm / 18.4in
Seating depth:
45cm / 17.7in

Rely HW71

Hee Welling

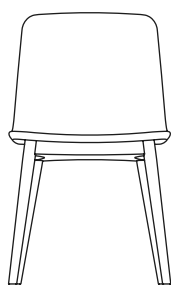
2022



Item code	Shell Colour	Model	Base	Colli qty.	Lead time	Weight	PRICE EX. VAT (SEK)	PRICE INC. VAT (SEK)
HW	Black	HW71	Oak Walnut	1 pc	2-3 weeks	5.70 kg	2.476 2.876	3.095 3.595
HW	White	HW71	Oak Walnut	1 pc	2-3 weeks	5.70 kg	2.476 2.876	3.095 3.595
HW	Beige Sand	HW71	Oak Walnut	1 pc	2-3 weeks	5.70 kg	2.476 2.876	3.095 3.595
HW	Red Brown	HW71	Oak Walnut	1 pc	2-3 weeks	5.70 kg	2.476 2.876	3.095 3.595
HW	Light Blue	HW71	Oak Walnut	1 pc	2-3 weeks	5.70 kg	2.476 2.876	3.095 3.595
HW	Stone Grey	HW71	Oak Walnut	1 pc	2-3 weeks	5.70 kg	2.476 2.876	3.095 3.595
HW	Vermilion red NEW	HW71	Oak Walnut	1 pc	2-3 weeks	5.70 kg	2.476 2.876	3.095 3.595
HW	Bronze green NEW	HW71	Oak Walnut	1 pc	2-3 weeks	5.70 kg	2.476 2.876	3.095 3.595
HW	Soft Pink NEW	HW71	Oak Walnut	1 pc	2-3 weeks	5.70 kg	2.476 2.876	3.095 3.595

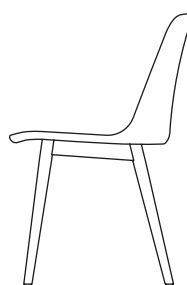
Material: Shell made from 100% recycled polypropylene with fiber glass. Lacquered oak or walnut base.

Wagner QuickClick felt gliders with interchangeable plastic inserts are installed as standard.



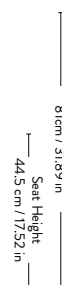
— 48.5 cm / 19.09 in —

HW71



— 53.5 cm / 21.06 in —

HW71



81cm / 31.89 in
Seat Height
44.5 cm / 17.52 in

Seating depth:
45cm / 17.7in

Rely ^{HW72} Hee Welling 2022



Price group	Shell Colour	Seat Cushion Upholstery	Base	Lead time	Weight	PRICE EX. VAT (SEK)	PRICE INC. VAT (SEK)
Fabric gr. 1	Black, White, Beige Sand, Red Brown,	Canvas, Linara, Maple, Remix,	Oak	6-8 weeks	6.50 kg	3.916	4.895
	Light Blue, Stone Grey, Vermilion red, Bronze green, Soft Pink NEW	Re-Wool	Walnut			4.236	5.295
Fabric gr. 2	Black, White, Beige Sand, Red Brown,	Clay, Divina Melange, Duke, Fiord,	Oak	6-8 weeks	6.50 kg	4.236	5.295
	Light Blue, Stone Grey, Vermilion red, Bronze green, Soft Pink NEW	Hallingdal, Loop, Ritz, Ruskin, Steelcut, Steelcut Trio, Zero	Walnut			4.556	5.695
Fabric gr. 3	Black, White, Beige Sand, Red Brown,	Balder, Moss, Nimbus, Sisu, Skai	Oak	6-8 weeks	6.50 kg	4.716	5.895
	Light Blue, Stone Grey, Vermilion red, Bronze green, Soft Pink NEW	Parotega Artificial leather*, Sunniva, Svevo, Vidar	Walnut			5.036	6.295
Fabric gr. 4	Black, White, Beige Sand, Red Brown,	Atlas, Gentle, Karakorum, Serafino	Oak	6-8 weeks	6.50 kg	5.116	6.395
	Light Blue, Stone Grey, Vermilion red, Bronze green, Soft Pink NEW		Walnut			5.516	6.895
Leather	Black, White, Beige Sand, Red Brown,	Tailor Semi-aniline leather	Oak	6-8 weeks	6.50 kg	4.316	5.395
	Light Blue, Stone Grey, Vermilion red, Bronze green, Soft Pink NEW		Walnut			4.716	5.895
Leather	Black, White, Beige Sand, Red Brown,	Noble Aniline leather	Oak	6-8 weeks	6.50 kg	4.716	5.895
	Light Blue, Stone Grey, Vermilion red, Bronze green, Soft Pink NEW		Walnut			5.036	6.295
Leather	Black, White, Beige Sand, Red Brown,	Elmosoft Semi-aniline leather	Oak	6-8 weeks	6.50 kg	5.036	6.295
	Light Blue, Stone Grey, Vermilion red, Bronze green, Soft Pink NEW		Walnut			5.356	6.695
Fabric COM	Black, White, Beige Sand, Red Brown,	COM Fabric	Oak	6-8 weeks	6.50 kg	3.916	4.895
	Light Blue, Stone Grey, Vermilion red, Bronze green, Soft Pink NEW		Walnut			4.236	5.295

*Skai Parotega Artificial leather:
This product contains 0,1-0,2% C,C⁻-azodi (formamide), CAS no. 123-77-3.

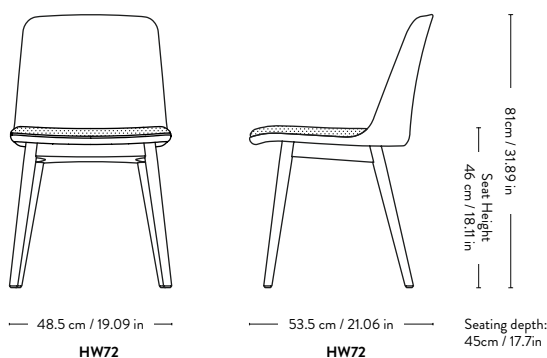
Material: Shell made from 100% recycled polypropylene with fiber glass. Upholstered seats are made with a veneer plate with 30mm HR foam. Lacquered oak or walnut base.

Wagner QuickClick felt gliders with interchangeable plastic inserts are installed as standard.

Fabric usage: 0.49 meter based on a 140 cm roll.

Leather usage: 1 square meter based on a yield of 60% pr hide.

COM must be approved by &Tradition to ensure suitability for upholstery.



Rely ^{HW73} Hee Welling 2022



Price group	Upholstery	Model	Base	Lead time	Weight	PRICE EX. VAT (SEK)	PRICE INC. VAT (SEK)
Fabric gr. 1	Canvas, Linara, Maple, Remix, Re-Wool	HW73	Oak Walnut	6-8 weeks	6.20 kg	4.796 5.116	5.995 6.395
Fabric gr. 2	Clay, Divina Melange, Duke, Fiord, Hallingdal, Loop, Ritz, Ruskin, Steelcut, Steelcut Trio, Zero	HW73	Oak Walnut	6-8 weeks	6.20 kg	5.516 5.836	6.895 7.295
Fabric gr. 3	Balder, Moss, Nimbus, Sisu, Skai Parotega Artificial leather*, Sunniva, Svevo, Vidar	HW73	Oak Walnut	6-8 weeks	6.20 kg	6.316 6.636	7.895 8.295
Fabric gr. 4	Atlas, Gentle, Karakorum, Serafino	HW73	Oak Walnut	6-8 weeks	6.20 kg	7.676 7.996	9.595 9.995
Leather	Tailor Semi-aniline leather	HW73	Oak Walnut	6-8 weeks	6.20 kg	6.476 6.876	8.095 8.595
Leather	Noble Aniline leather	HW73	Oak Walnut	6-8 weeks	6.20 kg	6.876 7.196	8.595 8.995
Leather	Elmosoft Semi-aniline leather	HW73	Oak Walnut	6-8 weeks	6.20 kg	7.436 7.756	9.295 9.695
Fabric COM	COM Fabric	HW73	Oak Walnut	6-8 weeks	6.20 kg	4.796 5.116	5.995 6.395

*Skai Parotega Artificial leather:
This product contains 0,1-0,2 % C,C'-azodi (formamide), CAS no. 123-77-3.

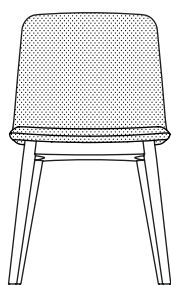
Material: Shell made from 100% recycled polypropylene with fiber glass. Upholstered seats are made with a veneer plate with 30mm HR foam. Lacquered oak or walnut base.

Wagner QuickClick felt gliders with interchangeable plastic inserts are installed as standard.

Fabric usage: 1.4 meters based on 140cm roll.

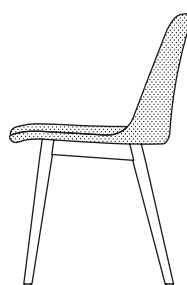
Leather usage: 2.2 square meters based on a yield of 60% pr hide.

COM must be approved by &Tradition to ensure suitability for upholstery.



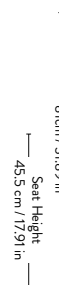
— 48.5 cm / 19.09 in —

HW73



— 53.5 cm / 21.06 in —

HW73



81cm / 31.89 in
Seat Height
45.5 cm / 17.91 in

Seating depth:
45cm / 17.7in

Rely HW74

Hee Welling

2022



Price group	Upholstery	Model	Base	Lead time	Weight	PRICE EX. VAT (SEK)	PRICE INC. VAT (SEK)
Fabric gr. 1	Canvas, Linara, Maple, Remix, Re-Wool	HW74	Oak	6-8 weeks	7.30 kg	5.036	6.295
			Walnut			5.356	6.695
Fabric gr. 2	Clay, Divina Melange, Duke, Fiord, Hallingdal, Loop, Ritz, Ruskin, Steelcut, Steelcut Trio, Zero	HW74	Oak	6-8 weeks	7.30 kg	5.676	7.095
			Walnut			6.076	7.595
Fabric gr. 3	Balder, Moss, Nimbus, Sisu, Skai Parotega Artificial leather*, Sunniva, Svevo, Vidar	HW74	Oak	6-8 weeks	7.30 kg	6.476	8.095
			Walnut			6.876	8.595
Fabric gr. 4	Atlas, Gentle, Karakorum, Serafino	HW74	Oak	6-8 weeks	7.30 kg	7.916	9.895
			Walnut			8.236	10.295
Leather	Tailor Semi-aniline leather	HW74	Oak	6-8 weeks	7.30 kg	6.716	8.395
			Walnut			7.116	8.895
Leather	Noble Aniline leather	HW74	Oak	6-8 weeks	7.30 kg	7.116	8.895
			Walnut			7.436	9.295
Leather	Elmosoft Semi-aniline leather	HW74	Oak	6-8 weeks	7.30 kg	8.156	10.195
			Walnut			8.476	10.595
Fabric COM	COM Fabric	HW74	Oak	6-8 weeks	7.30 kg	5.036	6.295
			Walnut			5.356	6.695

*Skai Parotega Artificial leather:
This product contains 0,1-0,2 % C,C'-azodi (formamide), CAS no. 123-77-3.

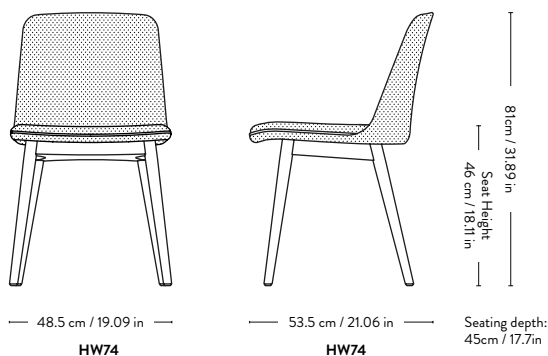
Material: Shell made from 100% recycled polypropylene with fiber glass. Upholstered seats are made with a veneer plate with 30mm HR foam. Lacquered oak or walnut base.

Wagner QuickClick felt gliders with interchangeable plastic inserts are installed as standard.

Fabric usage: 1.8 meters based on 140cm roll.

Leather usage: 2.7 square meters based on a yield of 60% pr hide.

COM must be approved by &Tradition to ensure suitability for upholstery.



Rely ^{HW75} Hee Welling 2022



Please note that price is accumulated price of shell & seat.

Price group	Shell Upholstery	Base	Lead time	Weight	PRICE EX. VAT (SEK)	PRICE INC. VAT (SEK)
Fabric gr. 1	Canvas, Linara, Maple, Remix, Re-Wool	Oak	3-6 weeks	7.30 kg	3.836	4.795
		Walnut			4.156	5.195
Fabric gr. 2	Clay, Divina Melange, Duke, Fiord, Hallingdal, Loop, Ritz, Ruskin, Steelcut, Steelcut Trio, Zero	Oak	3-6 weeks	7.30 kg	4.236	5.295
		Walnut			4.636	5.795
Fabric gr. 3	Balder, Moss, Nimbus, Sisu, Skai Parotega Artificial leather*, Sunniva, Svevo, Vidar	Oak	3-6 weeks	7.30 kg	4.556	5.695
		Walnut			4.956	6.195
Fabric gr. 4	Atlas, Gentle, Karakorum, Serafino	Oak	3-6 weeks	7.30 kg	5.516	6.895
		Walnut			5.836	7.295
Leather	Tailor Semi-aniline leather	Oak	3-6 weeks	7.30 kg	4.876	6.095
		Walnut			5.276	6.595
Leather	Noble Aniline leather	Oak	3-6 weeks	7.30 kg	5.196	6.495
		Walnut			5.516	6.895
Leather	Elmosoft Semi-aniline leather	Oak	3-6 weeks	7.30 kg	5.756	7.195
		Walnut			6.076	7.595
Fabric COM	COM Fabric	Oak	3-6 weeks	7.30 kg	3.836	4.795
		Walnut			4.156	5.195

Price group	Seat Upholstery	Lead time	PRICE EX. VAT (SEK)	PRICE INC. VAT (SEK)
Fabric gr. 1	Canvas, Linara, Maple, Remix, Re-Wool	3-6 weeks	1.200	1.500
Fabric gr. 2	Clay, Divina Melange, Duke, Fiord, Hallingdal, Loop, Ritz, Ruskin, Steelcut, Steelcut Trio, Zero	3-6 weeks	1.440	1.800
Fabric gr. 3	Balder, Moss, Nimbus, Sisu, Skai Parotega Artificial leather*, Sunniva, Svevo, Vidar	3-6 weeks	1.920	2.400
Fabric gr. 4	Atlas, Gentle, Karakorum, Serafino	3-6 weeks	2.400	3.000
Leather	Tailor Semi-aniline leather	3-6 weeks	1.840	2.300
Leather	Noble Aniline leather	3-6 weeks	1.920	2.400
Leather	Elmosoft Semi-aniline leather	3-6 weeks	2.400	3.000
Fabric COM	COM Fabric	3-6 weeks	1.200	1.500

*Skai Parotega Artificial leather:
This product contains 0,1-0,2% C,C'-azodi (formamide), CAS no. 123-77-3.

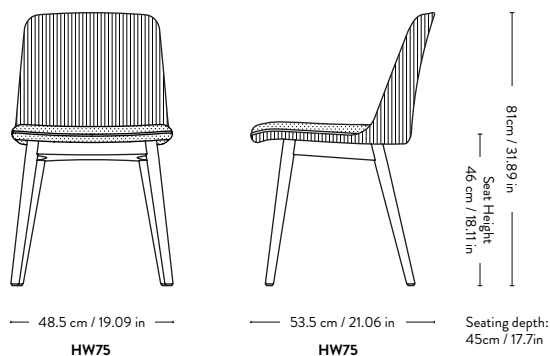
Material: Shell made from 100% recycled polypropylene with fiber glass. Upholstered seats are made with a veneer plate with 30mm HR foam. Lacquered oak or walnut base.

Wagner QuickClick felt gliders with interchangeable plastic inserts are installed as standard.

Fabric usage: 1.2 meters (shell), 0.7 meters (cushion) based on 140cm roll.
Leather usage: 2 square meters (shell), 0.9 square meters (cushion) based on a yield of 60% pr hide.

COM must be approved by &Tradition to ensure suitability for upholstery.

Minimum order quantity of same variant: 4 pcs.



Rely HW76

Hee Welling

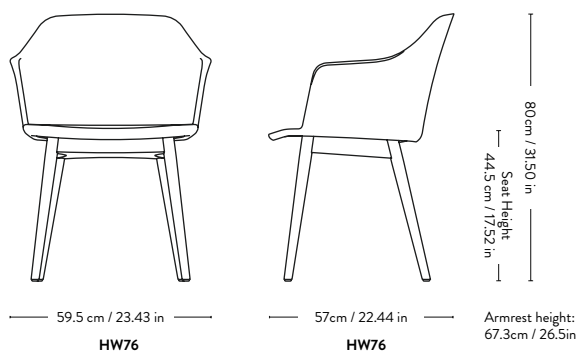
2022



Item code	Shell Colour	Model	Base	Colli qty.	Lead time	Weight	PRICE EX. VAT (SEK)	PRICE INC. VAT (SEK)
HW	Black	HW76	Oak Walnut	1 pc	2-3 weeks	7.00 kg	2.876 3.196	3.595 3.995
HW	White	HW76	Oak Walnut	1 pc	2-3 weeks	7.00 kg	2.876 3.196	3.595 3.995
HW	Beige Sand	HW76	Oak Walnut	1 pc	2-3 weeks	7.00 kg	2.876 3.196	3.595 3.995
HW	Red Brown	HW76	Oak Walnut	1 pc	2-3 weeks	7.00 kg	2.876 3.196	3.595 3.995
HW	Light Blue	HW76	Oak Walnut	1 pc	2-3 weeks	7.00 kg	2.876 3.196	3.595 3.995
HW	Stone Grey	HW76	Oak Walnut	1 pc	2-3 weeks	7.00 kg	2.876 3.196	3.595 3.995
HW	Vermilion red NEW	HW76	Oak Walnut	1 pc	2-3 weeks	7.00 kg	2.876 3.196	3.595 3.995
HW	Bronze green NEW	HW76	Oak Walnut	1 pc	2-3 weeks	7.00 kg	2.876 3.196	3.595 3.995
HW	Soft Pink NEW	HW76	Oak Walnut	1 pc	2-3 weeks	7.00 kg	2.876 3.196	3.595 3.995

Material: Shell made from 100% recycled polypropylene with fiber glass, lacquered oak or walnut base.

Wagner QuickClick felt gliders with interchangeable plastic inserts are installed as standard.



Rely ^{HW77} Hee Welling 2022



Price group	Shell Colour	Seat Cushion Upholstery	Base	Lead time	Weight	PRICE EX. VAT (SEK)	PRICE INC. VAT (SEK)
Fabric gr. 1	Black, White, Beige Sand, Red Brown,	Canvas, Linara, Remix, Re-Wool	Oak	6-8 weeks	8.20 kg	4.236	5.295
	Light Blue, Stone Grey, Vermilion red, Bronze green, Soft Pink NEW		Walnut			4.556	5.695
Fabric gr. 2	Black, White, Beige Sand, Red Brown,	Clay, Divina Melange, Duke, Fiord,	Oak	6-8 weeks	8.20 kg	4.556	5.695
	Light Blue, Stone Grey, Vermilion red, Bronze green, Soft Pink NEW	Hallingdal, Loop, Ritz, Ruskin, Steelcut, Steelcut Trio, Zero	Walnut			4.876	6.095
Fabric gr. 3	Black, White, Beige Sand, Red Brown,	Balder, Moss, Nimbus, Sisu, Skai	Oak	6-8 weeks	8.20 kg	5.036	6.295
	Light Blue, Stone Grey, Vermilion red, Bronze green, Soft Pink NEW	Parotega Artificial leather*, Sunniva, Svevo, Vidar	Walnut			5.356	6.695
Fabric gr. 4	Black, White, Beige Sand, Red Brown,	Atlas, Gentle, Karakorum, Serafino	Oak	6-8 weeks	8.20 kg	5.516	6.895
	Light Blue, Stone Grey, Vermilion red, Bronze green, Soft Pink NEW		Walnut			5.836	7.295
Leather	Black, White, Beige Sand, Red Brown,	Tailor Semi-aniline leather	Oak	6-8 weeks	8.20 kg	4.716	5.895
	Light Blue, Stone Grey, Vermilion red, Bronze green, Soft Pink NEW		Walnut			5.036	6.295
Leather	Black, White, Beige Sand, Red Brown,	Noble Aniline leather	Oak	6-8 weeks	8.20 kg	5.036	6.295
	Light Blue, Stone Grey, Vermilion red, Bronze green, Soft Pink NEW		Walnut			5.356	6.695
Leather	Black, White, Beige Sand, Red Brown,	Elmosoft Semi-aniline leather	Oak	6-8 weeks	8.20 kg	5.356	6.695
	Light Blue, Stone Grey, Vermilion red, Bronze green, Soft Pink NEW		Walnut			5.676	7.095
Fabric COM	Black, White, Beige Sand, Red Brown,	COM Fabric	Oak	6-8 weeks	8.20 kg	4.236	5.295
	Light Blue, Stone Grey, Vermilion red, Bronze green, Soft Pink NEW		Walnut			4.556	5.695

*Skai Parotega Artificial leather:
This product contains 0,1-0,2% C,C'-azodi (formamide), CAS no. 123-77-3.

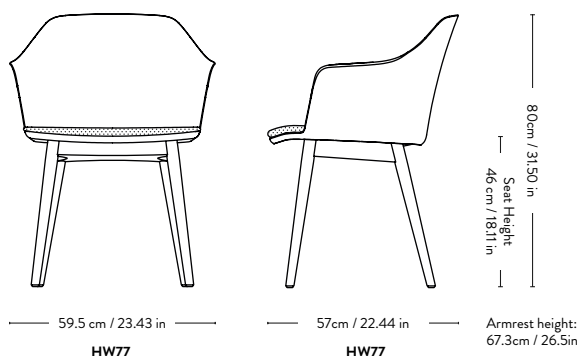
Material: Shell made from 100% recycled polypropylene with fiber glass, seat covered in HR foam with fabric or leather upholstery, lacquered oak or walnut base.

Wagner QuickClick felt gliders with interchangeable plastic inserts are installed as standard.

Fabric usage: 0.49 meter based on a 140 cm roll.

Leather usage: 1 square meter based on a yield of 60% pr hide.

COM must be approved by &Tradition to ensure suitability for upholstery.



Rely ^{HW78} Hee Welling 2022



Price group	Upholstery	Model	Base	Lead time	Weight	PRICE EX. VAT (SEK)	PRICE INC. VAT (SEK)
Fabric gr. 1	Canvas, Linara, Remix, Re-Wool	HW78	Oak Walnut	6-8 weeks	7.70 kg	5.356 5.676	6.695 7.095
Fabric gr. 2	Clay, Divina Melange, Duke, Fiord, Hallingdal, Loop, Ritz, Ruskin, Steelcut, Steelcut Trio, Zero	HW78	Oak Walnut	6-8 weeks	7.70 kg	6.076 6.396	7.595 7.995
Fabric gr. 3	Balder, Moss, Nimbus, Sisu, Skai Parotega Artificial leather*, Sunniva, Svevo, Vidar	HW78	Oak Walnut	6-8 weeks	7.70 kg	6.956 7.276	8.695 9.095
Fabric gr. 4	Atlas, Gentle, Karakorum, Serafino	HW78	Oak Walnut	6-8 weeks	7.70 kg	8.316 8.716	10.395 10.895
Leather	Tailor Semi-aniline leather	HW78	Oak Walnut	6-8 weeks	7.70 kg	7.196 7.516	8.995 9.395
Leather	Noble Aniline leather	HW78	Oak Walnut	6-8 weeks	7.70 kg	8.556 8.956	10.695 11.195
Leather	Elmosoft Semi-aniline leather	HW78	Oak Walnut	6-8 weeks	7.70 kg	9.356 9.756	11.695 12.195
Fabric COM	COM Fabric	HW78	Oak Walnut	6-8 weeks	7.70 kg	5.356 5.676	6.695 7.095

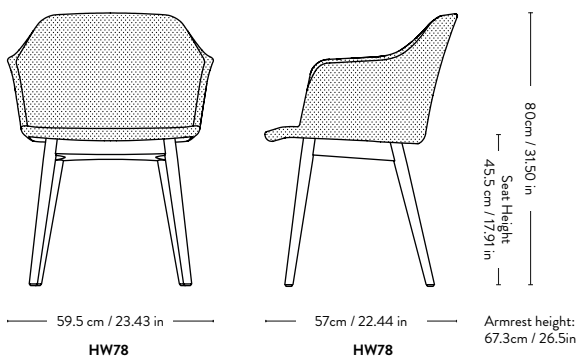
Material: Shell made from 100% recycled polypropylene with fiber glass, covered with HR foam with fabric or leather upholstery. Lacquered oak or walnut base.

Wagner QuickClick felt gliders with interchangeable plastic inserts are installed as standard.

Fabric usage: 1.5meters based on 140cm roll.

Leather usage: 2.7 square meters based on a yield of 60% pr hide.

COM must be approved by &Tradition to ensure suitability for upholstery.



Rely HW79

Hee Welling

2022



Price group	Upholstery	Model	Base	Lead time	Weight	PRICE EX. VAT (SEK)	PRICE INC. VAT (SEK)
Fabric gr. 1	Canvas, Linara, Remix, Re-Wool	HW79	Oak Walnut	6-8 weeks	8.00 kg	5.676 6.076	7.095 7.595
Fabric gr. 2	Clay, Divina Melange, Duke, Fiord, Hallingdal, Loop, Ritz, Ruskin, Steelcut, Steelcut Trio, Zero	HW79	Oak Walnut	6-8 weeks	8.00 kg	6.396 6.716	7.995 8.395
Fabric gr. 3	Balder, Moss, Nimbus, Sisu, Skai Parotega Artificial leather*, Sunniva, Svevo, Vidar	HW79	Oak Walnut	6-8 weeks	8.00 kg	7.276 7.676	9.095 9.595
Fabric gr. 4	Atlas, Gentle, Karakorum, Serafino	HW79	Oak Walnut	6-8 weeks	8.00 kg	8.716 9.036	10.895 11.295
Leather	Tailor Semi-aniline leather	HW79	Oak Walnut	6-8 weeks	8.00 kg	7.516 7.916	9.395 9.895
Leather	Noble Aniline leather	HW79	Oak Walnut	6-8 weeks	8.00 kg	8.956 9.276	11.195 11.595
Leather	Elmosoft Semi-aniline leather	HW79	Oak Walnut	6-8 weeks	8.00 kg	9.916 10.316	12.395 12.895
Fabric COM	COM Fabric	HW79	Oak Walnut	6-8 weeks	8.00 kg	5.676 6.076	7.095 7.595

*Skai Parotega Artificial leather:
This product contains 0,1-0,2 % C,C'-azodi (formamide), CAS no. 123-77-3.

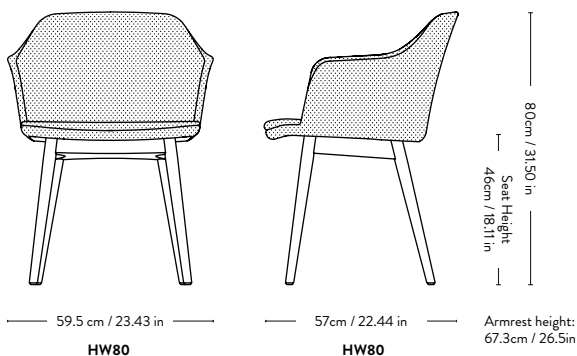
Material: Shell made from 100% recycled polypropylene with fiber glass, covered with HR foam with fabric or leather upholstery, lacquered oak or walnut base.

Wagner QuickClick felt gliders with interchangeable plastic inserts are installed as standard.

Fabric usage: 2.3 meters based on 140cm roll.

Leather usage: 3.4 square meters based on a yield of 60% pr hide.

COM must be approved by &Tradition to ensure suitability for upholstery.



Rely HW80

Hee Welling

2022



Please note that price is accumulated price of shell & seat.

Price group	Shell Upholstery	Base	Lead time	Weight	PRICE EX. VAT (SEK)	PRICE INC. VAT (SEK)
Fabric gr. 1	Canvas, Linara, Remix, Re-Wool	Oak	3-6 weeks	8.00 kg	4.476	5.595
		Walnut			4.876	6.095
Fabric gr. 2	Clay, Divina Melange, Duke, Fiord, Hallingdal, Loop, Ritz, Ruskin, Steelcut, Steelcut Trio, Zero	Oak	3-6 weeks	8.00 kg	4.956	6.195
		Walnut			5.276	6.595
Fabric gr. 3	Balder, Moss, Nimbus, Sisu, Skai Parotega Artificial leather*, Sunniva, Svevo, Vidar	Oak	3-6 weeks	8.00 kg	5.356	6.695
		Walnut			5.756	7.195
Fabric gr. 4	Atlas, Gentle, Karakorum, Serafino	Oak	3-6 weeks	8.00 kg	6.316	7.895
		Walnut			6.636	8.295
Leather	Tailor Semi-aniline leather	Oak	3-6 weeks	8.00 kg	5.676	7.095
		Walnut			6.076	7.595
Leather	Noble Aniline leather	Oak	3-6 weeks	8.00 kg	7.036	8.795
		Walnut			7.356	9.195
Leather	Elmosoft Semi-aniline leather	Oak	3-6 weeks	8.00 kg	7.516	9.395
		Walnut			7.916	9.895
Fabric COM	COM Fabric	Oak	3-6 weeks	8.00 kg	4.476	5.595
		Walnut			4.876	6.095

Price group	Seat Upholstery	Lead time	PRICE EX. VAT (SEK)	PRICE INC. VAT (SEK)
Fabric gr. 1	Canvas, Linara, Remix, Re-Wool	3-6 weeks	1.200	1.500
Fabric gr. 2	Clay, Divina Melange, Duke, Fiord, Hallingdal, Loop, Ritz, Ruskin, Steelcut, Steelcut Trio, Zero	3-6 weeks	1.440	1.800
Fabric gr. 3	Balder, Moss, Nimbus, Sisu, Skai Parotega Artificial leather*, Sunniva, Svevo, Vidar	3-6 weeks	1.920	2.400
Fabric gr. 4	Atlas, Gentle, Karakorum, Serafino	3-6 weeks	2.400	3.000
Leather	Tailor Semi-aniline leather	3-6 weeks	1.840	2.300
Leather	Noble Aniline leather	3-6 weeks	1.920	2.400
Leather	Elmosoft Semi-aniline leather	3-6 weeks	2.400	3.000
Fabric COM	COM Fabric	3-6 weeks	1.200	1.500

*Skai Parotega Artificial leather:

This product contains 0,1-0,2 % C,C'-azodi (formamide), CAS no. 123-77-3.

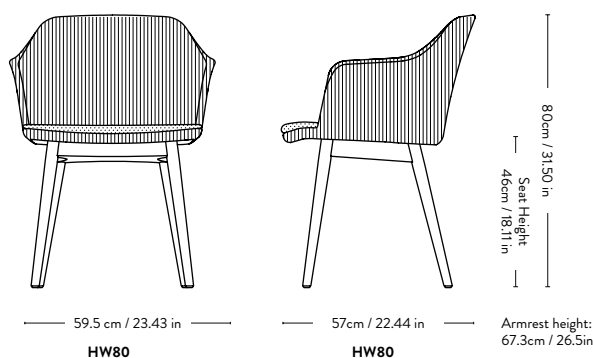
Material: Shell made from 100% recycled polypropylene with fiber glass, covered with HR foam with fabric or leather upholstery, lacquered oak or walnut base.

Wagner QuickClick felt gliders with interchangeable plastic inserts are installed as standard.

Fabric usage: 1.5 meters (shell), 0.77 meters (cushion) based on 140cm roll.
Leather usage: 2.64 square meters (shell), 0.77 square meters (cushion) based on a yield of 60% pr hide.

COM must be approved by &Tradition to ensure suitability for upholstery.

Minimum order quantity of same variant: 4 pcs.



Rely HW81

Hee Welling

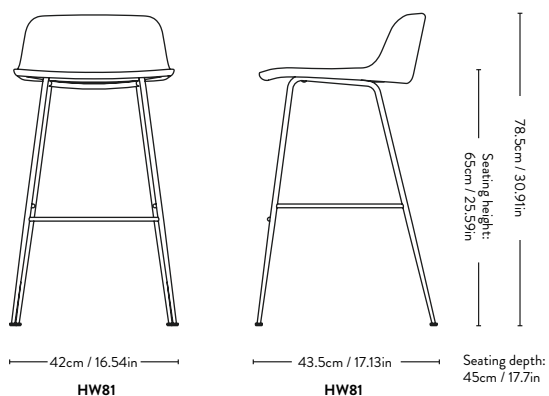
2022



Item code	Shell Colour	Model	Base	Colli qty.	Lead time	Weight	PRICE EX. VAT (SEK)	PRICE INC. VAT (SEK)
HW	Black	HW81	Black, Bronzed	1 pc	2-3 weeks	5.30 kg	2.476	3.095
HW	White	HW81	Black, Bronzed	1 pc	2-3 weeks	5.30 kg	2.476	3.095
HW	Beige Sand	HW81	Black, Bronzed	1 pc	2-3 weeks	5.30 kg	2.476	3.095
HW	Red Brown	HW81	Black, Bronzed	1 pc	2-3 weeks	5.30 kg	2.476	3.095
HW	Light Blue	HW81	Black, Bronzed	1 pc	2-3 weeks	5.30 kg	2.476	3.095
HW	Stone Grey	HW81	Black, Bronzed	1 pc	2-3 weeks	5.30 kg	2.476	3.095

Material: Shell made from 100% recycled polypropylene with fiber glass and a steel tube base.

Wagner QuickClick felt gliders with interchangeable plastic inserts are installed as standard.



Rely ^{HW82} Hee Welling 2022



Price group	Shell Colour	Seat Cushion Upholstery	Base	Lead time	Weight	PRICE EX. VAT (SEK)	PRICE INC. VAT (SEK)
Fabric gr. 1	Black, White, Beige Sand, Red Brown, Light Blue, Stone Grey	Canvas, Linara, Maple, Remix, Re-Wool	Black, Bronzed	3-6 weeks	6.00 kg	3.676	4.595
Fabric gr. 2	Black, White, Beige Sand, Red Brown, Light Blue, Stone Grey	Clay, Divina Melange, Duke, Fiord, Hallingdal, Loop, Ritz, Ruskin, Steelcut, Steelcut Trio, Zero	Black, Bronzed	3-6 weeks	6.00 kg	3.996	4.995
Fabric gr. 3	Black, White, Beige Sand, Red Brown, Light Blue, Stone Grey	Balder, Moss, Nimbus, Sisu, Skai Parotega Artificial leather*, Sunniva, Svevo, Vidar	Black, Bronzed	3-6 weeks	6.00 kg	4.476	5.595
Fabric gr. 4	Black, White, Beige Sand, Red Brown, Light Blue, Stone Grey	Atlas, Gentle, Karakorum, Serafino	Black, Bronzed	3-6 weeks	6.00 kg	4.876	6.095
Leather	Black, White, Beige Sand, Red Brown, Light Blue, Stone Grey	Tailor Semi-aniline leather	Black, Bronzed	3-6 weeks	6.00 kg	4.076	5.095
Leather	Black, White, Beige Sand, Red Brown, Light Blue, Stone Grey	Noble Aniline leather	Black, Bronzed	3-6 weeks	6.00 kg	4.476	5.595
Leather	Black, White, Beige Sand, Red Brown, Light Blue, Stone Grey	Elmosoft Semi-aniline leather	Black, Bronzed	3-6 weeks	6.00 kg	4.796	5.995
Fabric COM	Black, White, Beige Sand, Red Brown, Light Blue, Stone Grey	COM Fabric	Black, Bronzed	3-6 weeks	6.00 kg	3.676	4.595

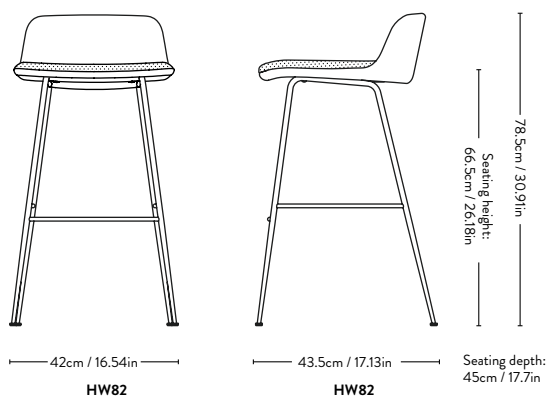
*Skai Parotega Artificial leather:
This product contains 0,1-0,2 % C,C'-azodi (formamide), CAS no. 123-77-3.

Material: Shell made from 100% recycled polypropylene with fiber glass, HR foam seat covered with fabric or leather upholstery, steel tube base.

Wagner QuickClick felt gliders with interchangeable plastic inserts are installed as standard.

Fabric usage: 0.49 meter based on a 140 cm roll.
Leather usage: 1 square meter based on a yield of 60% pr hide.

COM must be approved by &Tradition to ensure suitability for upholstery.



Rely HW83 Hee Welling 2022



Price group	Upholstery	Model	Base	Lead time	Weight	PRICE EX. VAT (SEK)	PRICE INC. VAT (SEK)
Fabric gr. 1	Canvas, Linara, Maple, Remix, Re-Wool	HW83	Black, Bronzed	3-6 weeks	5.60 kg	4.476	5.595
Fabric gr. 2	Clay, Divina Melange, Duke, Fiord, Hallingdal, Loop, Ritz, Ruskin, Steelcut, Steelcut Trio, Zero	HW83	Black, Bronzed	3-6 weeks	5.60 kg	5.116	6.395
Fabric gr. 3	Balder, Moss, Nimbus, Sisu, Skai Parotega Artificial leather*, Sunniva, Svevo, Vidar	HW83	Black, Bronzed	3-6 weeks	5.60 kg	5.916	7.395
Fabric gr. 4	Atlas, Gentle, Karakorum, Serafino	HW83	Black, Bronzed	3-6 weeks	5.60 kg	7.276	9.095
Leather	Tailor Semi-aniline leather	HW83	Black, Bronzed	3-6 weeks	5.60 kg	6.156	7.695
Leather	Noble Aniline leather	HW83	Black, Bronzed	3-6 weeks	5.60 kg	6.476	8.095
Leather	Elmosoft Semi-aniline leather	HW83	Black, Bronzed	3-6 weeks	5.60 kg	7.116	8.895
Fabric COM	COM Fabric	HW83	Black, Bronzed	3-6 weeks	5.60 kg	4.476	5.595

*Skai Parotega Artificial leather:
This product contains 0,1-0,2 % C,C'-azodi (formamide), CAS no. 123-77-3.

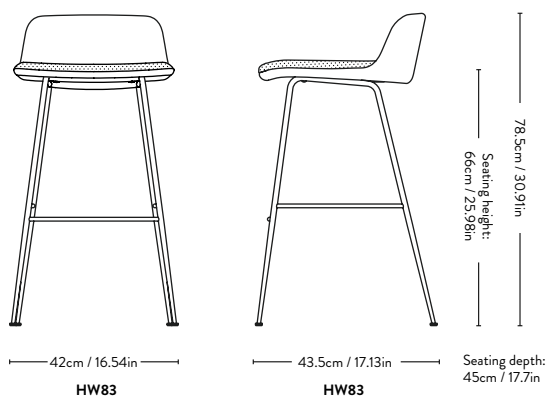
Material: Shell made from 100% recycled polypropylene with fiber glass, covered with HR foam with fabric or leather upholstery, steel tube base.

Wagner QuickClick felt gliders with interchangeable plastic inserts are installed as standard.

Fabric usage: 1.1 meters based on 140cm roll.

Leather usage: 1.7 square meters based on a yield of 60% pr hide.

COM must be approved by &Tradition to ensure suitability for upholstery.



Rely HW84 Hee Welling 2022



Price group	Upholstery	Model	Base	Lead time	Weight	PRICE EX. VAT (SEK)	PRICE INC. VAT (SEK)
Fabric gr. 1	Canvas, Linara, Maple, Remix, Re-Wool	HW84	Black, Bronzed	3-6 weeks	6.20 kg	4.716	5.895
Fabric gr. 2	Clay, Divina Melange, Duke, Fiord, Hallingdal, Loop, Ritz, Ruskin, Steelcut, Steelcut Trio, Zero	HW84	Black, Bronzed	3-6 weeks	6.20 kg	5.356	6.695
Fabric gr. 3	Balder, Moss, Nimbus, Sisu, Skai Parotega Artificial leather*, Sunniva, Svevo, Vidar	HW84	Black, Bronzed	3-6 weeks	6.20 kg	6.156	7.695
Fabric gr. 4	Atlas, Gentle, Karakorum, Serafino	HW84	Black, Bronzed	3-6 weeks	6.20 kg	7.516	9.395
Leather	Tailor Semi-aniline leather	HW84	Black, Bronzed	3-6 weeks	6.20 kg	6.396	7.995
Leather	Noble Aniline leather	HW84	Black, Bronzed	3-6 weeks	6.20 kg	6.716	8.395
Leather	Elmosoft Semi-aniline leather	HW84	Black, Bronzed	3-6 weeks	6.20 kg	7.436	9.295
Fabric COM	COM Fabric	HW84	Black, Bronzed	3-6 weeks	6.20 kg	4.716	5.895

*Skai Parotega Artificial leather:
This product contains 0,1-0,2 % C,C'-azodi (formamide), CAS no. 123-77-3.

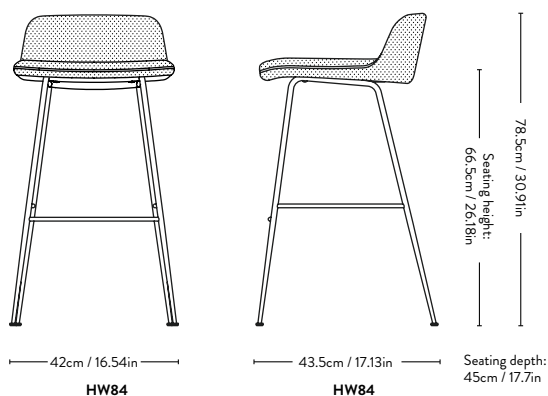
Material: Shell made from 100% recycled polypropylene with fiber glass, covered with HR foam with fabric or leather upholstery, steel tube base.

Wagner QuickClick felt gliders with interchangeable plastic inserts are installed as standard.

Fabric usage: 1.8 meters based on a 140cm roll.

Leather usage: 2.2 square meters based on a yield of 60% pr hide.

COM must be approved by &Tradition to ensure suitability for upholstery.



Rely ^{HW85} Hee Welling 2022



Please note that price is accumulated price of shell & seat.

Price group	Shell Upholstery	Base	Lead time	Weight	PRICE EX. VAT (SEK)	PRICE INC. VAT (SEK)
Fabric gr. 1	Canvas, Linara, Maple, Remix, Re-Wool	Black, Bronzed	3-6 weeks	10.50 kg	3.516	4.395
Fabric gr. 2	Clay, Divina Melange, Duke, Fiord, Hallingdal, Loop, Ritz, Ruskin, Steelcut, Steelcut Trio, Zero	Black, Bronzed	3-6 weeks	10.50 kg	3.916	4.895
Fabric gr. 3	Balder, Moss, Nimbus, Sisu, Skai Parotega Artificial leather*, Sunniva, Svevo, Vidar	Black, Bronzed	3-6 weeks	10.50 kg	4.236	5.295
Fabric gr. 4	Atlas, Gentle, Karakorum, Serafino	Black, Bronzed	3-6 weeks	10.50 kg	5.116	6.395
Leather	Tailor Semi-aniline leather	Black, Bronzed	3-6 weeks	10.50 kg	4.556	5.695
Leather	Noble Aniline leather	Black, Bronzed	3-6 weeks	10.50 kg	4.796	5.995
Leather	Elmosoft Semi-aniline leather	Black, Bronzed	3-6 weeks	10.50 kg	5.036	6.295
Fabric COM	COM Fabric	Black, Bronzed	3-6 weeks	10.50 kg	3.516	4.395

Price group	Seat Upholstery	Lead time	PRICE EX. VAT (SEK)	PRICE INC. VAT (SEK)
Fabric gr. 1	Canvas, Linara, Maple Remix, Re-Wool	3-6 weeks	1.200	1.500
Fabric gr. 2	Clay, Divina Melange, Duke, Fiord, Hallingdal, Loop, Ritz, Ruskin, Steelcut, Steelcut Trio, Zero	3-6 weeks	1.440	1.800
Fabric gr. 3	Balder, Moss, Nimbus, Sisu, Skai Parotega Artificial leather*, Sunniva, Svevo, Vidar	3-6 weeks	1.920	2.400
Fabric gr. 4	Atlas, Gentle, Karakorum, Serafino	3-6 weeks	2.400	3.000
Leather	Tailor Semi-aniline leather	3-6 weeks	1.840	2.300
Leather	Noble Aniline leather	3-6 weeks	1.920	2.400
Leather	Elmosoft Semi-aniline leather	3-6 weeks	2.400	3.000
Fabric COM	COM Fabric	3-6 weeks	1.200	1.500

*Skai Parotega Artificial leather:
This product contains 0,1-0,2 % C,C'-azodi (formamide), CAS no. 123-77-3.

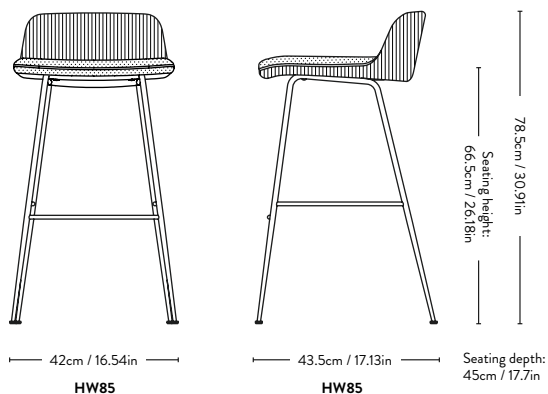
Material: Shell made from 100% recycled polypropylene with fiber glass, covered with HR foam with fabric or leather upholstery, steel tube base.

Wagner QuickClick felt gliders with interchangeable plastic inserts are installed as standard.

Fabric usage: 1.3 meters (shell), 0.8 meters (cushion) based on 140cm roll.
Leather usage: 2.3 square meters (shell), 0.7 square meters (cushion) based on a yield of 60% pr hide.

COM must be approved by &Tradition to ensure suitability for upholstery.

Minimum order quantity of same variant: 4 pcs.



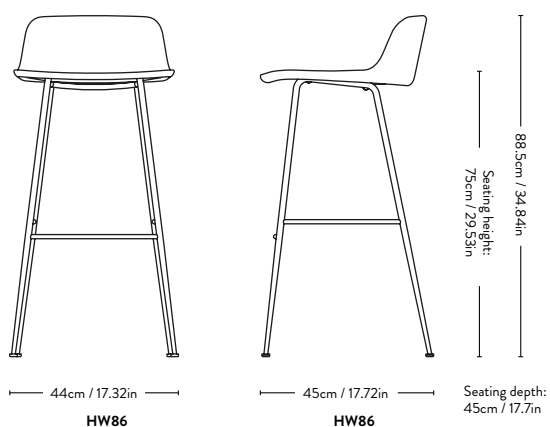
Rely HW86 Hee Welling 2022



Item code	Shell Colour	Model	Base	Colli qty.	Lead time	Weight	PRICE EX. VAT (SEK)	PRICE INC. VAT (SEK)
HW	Black	HW86	Black, Bronzed	1 pc	2-3 weeks	5.50 kg	2.476	3.095
HW	White	HW86	Black, Bronzed	1 pc	2-3 weeks	5.50 kg	2.476	3.095
HW	Beige Sand	HW86	Black, Bronzed	1 pc	2-3 weeks	5.50 kg	2.476	3.095
HW	Red Brown	HW86	Black, Bronzed	1 pc	2-3 weeks	5.50 kg	2.476	3.095
HW	Light Blue	HW86	Black, Bronzed	1 pc	2-3 weeks	5.50 kg	2.476	3.095
HW	Stone Grey	HW86	Black, Bronzed	1 pc	2-3 weeks	5.50 kg	2.476	3.095

Material: Shell made from 100% recycled polypropylene with fiber glass and a steel tube base.

Wagner QuickClick felt gliders with interchangeable plastic inserts are installed as standard.



Rely HW87

Hee Welling

2022



Price group	Shell Colour	Seat Cushion Upholstery	Base	Lead time	Weight	PRICE EX. VAT (SEK)	PRICE INC. VAT (SEK)
Fabric gr. 1	Black, White, Beige Sand, Red Brown, Light Blue, Stone Grey	Canvas, Linara, Maple, Remix, Re-Wool	Black, Bronzed	3-6 weeks	6.30 kg	3.676	4.595
Fabric gr. 2	Black, White, Beige Sand, Red Brown, Light Blue, Stone Grey	Clay, Divina Melange, Duke, Fiord, Hallingdal, Loop, Ritz, Ruskin, Steelcut, Steelcut Trio, Zero	Black, Bronzed	3-6 weeks	6.30 kg	3.996	4.995
Fabric gr. 3	Black, White, Beige Sand, Red Brown, Light Blue, Stone Grey	Balder, Moss, Nimbus, Sisu, Skai Parotega Artificial leather*, Sunniva, Svevo, Vidar	Black, Bronzed	3-6 weeks	6.30 kg	4.476	5.595
Fabric gr. 4	Black, White, Beige Sand, Red Brown, Light Blue, Stone Grey	Atlas, Gentle, Karakorum, Serafino	Black, Bronzed	3-6 weeks	6.30 kg	4.876	6.095
Leather	Black, White, Beige Sand, Red Brown, Light Blue, Stone Grey	Tailor Semi-aniline leather	Black, Bronzed	3-6 weeks	6.30 kg	4.076	5.095
Leather	Black, White, Beige Sand, Red Brown, Light Blue, Stone Grey	Noble Aniline leather	Black, Bronzed	3-6 weeks	6.30 kg	4.476	5.595
Leather	Black, White, Beige Sand, Red Brown, Light Blue, Stone Grey	Elmosoft Semi-aniline leather	Black, Bronzed	3-6 weeks	6.30 kg	4.796	5.995
Fabric COM	Black, White, Beige Sand, Red Brown, Light Blue, Stone Grey	COM Fabric	Black, Bronzed	3-6 weeks	6.30 kg	3.676	4.595

*Skai Parotega Artificial leather:
This product contains 0,1-0,2 % C,C'-azodi (formamide), CAS no. 123-77-3.

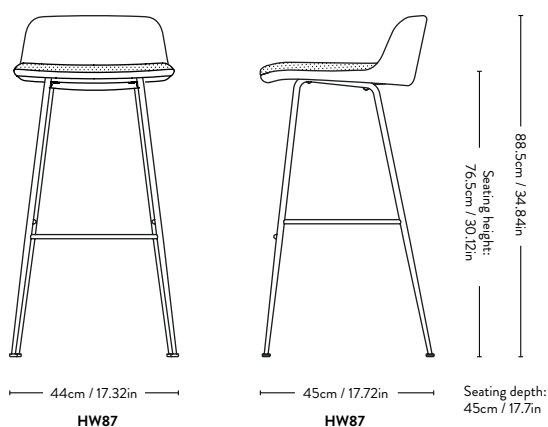
Material: Shell made from 100% recycled polypropylene with fiber glass, HR foam seat covered with fabric or leather upholstery, steel tube base.

Wagner QuickClick felt gliders with interchangeable plastic inserts are installed as standard.

Fabric usage: 0.49 meter based on a 140 cm roll.

Leather usage: 1 square meter based on a yield of 60% pr hide.

COM must be approved by &Tradition to ensure suitability for upholstery.



Rely HW88

Hee Welling

2022



Price group	Upholstery	Model	Base	Lead time	Weight	PRICE EX. VAT (SEK)	PRICE INC. VAT (SEK)
Fabric gr. 1	Canvas, Linara, Maple, Remix, Re-Wool	HW88	Black, Bronzed	3-6 weeks	5.80 kg	4.476	5.595
Fabric gr. 2	Clay, Divina Melange, Duke, Fiord, Hallingdal, Loop, Ritz, Ruskin, Steelcut, Steelcut Trio, Zero	HW88	Black, Bronzed	3-6 weeks	5.80 kg	5.116	6.395
Fabric gr. 3	Balder, Moss, Nimbus, Sisu, Skai Parotega Artificial leather*, Sunniva, Svevo, Vidar	HW88	Black, Bronzed	3-6 weeks	5.80 kg	5.916	7.395
Fabric gr. 4	Atlas, Gentle, Karakorum, Serafino	HW88	Black, Bronzed	3-6 weeks	5.80 kg	7.276	9.095
Leather	Tailor Semi-aniline leather	HW88	Black, Bronzed	3-6 weeks	5.80 kg	6.156	7.695
Leather	Noble Aniline leather	HW88	Black, Bronzed	3-6 weeks	5.80 kg	6.476	8.095
Leather	Elmosoft Semi-aniline leather	HW88	Black, Bronzed	3-6 weeks	5.80 kg	7.116	8.895
Fabric COM	COM Fabric	HW88	Black, Bronzed	3-6 weeks	5.80 kg	4.476	5.595

*Skai Parotega Artificial leather:
This product contains 0,1-0,2 % C,C'-azodi (formamide), CAS no. 123-77-3.

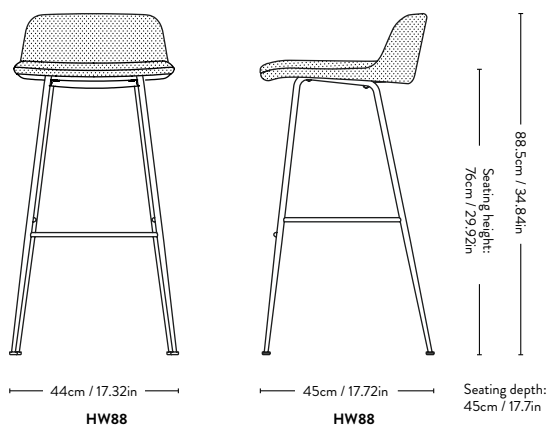
Material: Shell made from 100% recycled polypropylene with fiber glass, covered with HR foam with fabric or leather upholstery, steel tube base.

Wagner QuickClick felt gliders with interchangeable plastic inserts are installed as standard.

Fabric usage: 1.1 meters based on 140cm roll.

Leather usage: 1.7 square meters based on a yield of 60% pr hide.

COM must be approved by &Tradition to ensure suitability for upholstery.



Rely HW89

Hee Welling

2022



Price group	Upholstery	Model	Base	Lead time	Weight	PRICE EX. VAT (SEK)	PRICE INC. VAT (SEK)
Fabric gr. 1	Canvas, Linara, Maple, Remix, Re-Wool	HW89	Black, Bronzed	3-6 weeks	6.50 kg	4.716	5.895
Fabric gr. 2	Clay, Divina Melange, Duke, Fiord, Hallingdal, Loop, Ritz, Ruskin, Steelcut, Steelcut Trio, Zero	HW89	Black, Bronzed	3-6 weeks	6.50 kg	5.356	6.695
Fabric gr. 3	Balder, Moss, Nimbus, Sisu, Skai Parotega Artificial leather*, Sunniva, Svevo, Vidar	HW89	Black, Bronzed	3-6 weeks	6.50 kg	6.156	7.695
Fabric gr. 4	Atlas, Gentle, Karakorum, Serafino	HW89	Black, Bronzed	3-6 weeks	6.50 kg	7.516	9.395
Leather	Tailor Semi-aniline leather	HW89	Black, Bronzed	3-6 weeks	6.50 kg	6.396	7.995
Leather	Noble Aniline leather	HW89	Black, Bronzed	3-6 weeks	6.50 kg	6.716	8.395
Leather	Elmosoft Semi-aniline leather	HW89	Black, Bronzed	3-6 weeks	6.50 kg	7.436	9.295
Fabric COM	COM Fabric	HW89	Black, Bronzed	3-6 weeks	6.50 kg	4.716	5.895

*Skai Parotega Artificial leather:
This product contains 0,1-0,2 % C,C'-azodi (formamide), CAS no. 123-77-3.

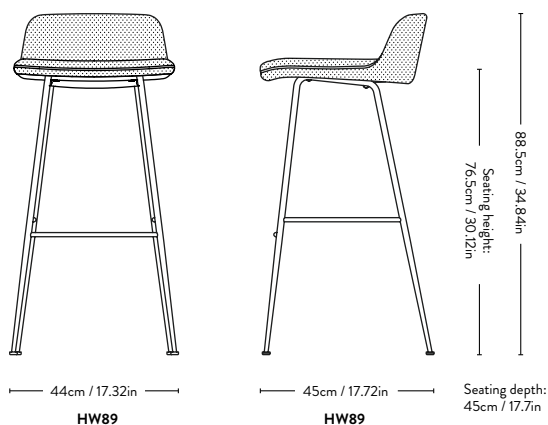
Material: Shell made from 100% recycled polypropylene with fiber glass, covered with HR foam with fabric or leather upholstery, steel tube base.

Wagner QuickClick felt gliders with interchangeable plastic inserts are installed as standard.

Fabric usage: 1.8 meters based on a 140cm roll.

Leather usage: 2.2 square meters based on a yield of 60% pr hide.

COM must be approved by &Tradition to ensure suitability for upholstery.



Rely ^{HW90} Hee Welling 2022



Please note that price is accumulated price of shell & seat.

Price group	Shell Upholstery	Base	Lead time	Weight	PRICE EX. VAT (SEK)	PRICE INC. VAT (SEK)
Fabric gr. 1	Canvas, Linara, Maple, Remix, Re-Wool	Black, Bronzed	3-6 weeks	10.50 kg	3.516	4.395
Fabric gr. 2	Clay, Divina Melange, Duke, Fiord, Hallingdal, Loop, Ritz, Ruskin, Steelcut, Steelcut Trio, Zero	Black, Bronzed	3-6 weeks	10.50 kg	3.916	4.895
Fabric gr. 3	Balder, Moss, Nimbus, Sisu, Skai Parotega Artificial leather*, Sunniva, Svevo, Vidar	Black, Bronzed	3-6 weeks	10.50 kg	4.236	5.295
Fabric gr. 4	Atlas, Gentle, Karakorum, Serafino	Black, Bronzed	3-6 weeks	10.50 kg	5.116	6.395
Leather	Tailor Semi-aniline leather	Black, Bronzed	3-6 weeks	10.50 kg	4.556	5.695
Leather	Noble Aniline leather	Black, Bronzed	3-6 weeks	10.50 kg	4.796	5.995
Leather	Elmosoft Semi-aniline leather	Black, Bronzed	3-6 weeks	10.50 kg	5.036	6.295
Fabric COM	COM Fabric	Black, Bronzed	3-6 weeks	10.50 kg	3.516	4.395

Price group	Seat Upholstery	Lead time	PRICE EX. VAT (SEK)	PRICE INC. VAT (SEK)
Fabric gr. 1	Canvas, Linara, Maple, Remix, Re-Wool	3-6 weeks	1.200	1.500
Fabric gr. 2	Clay, Divina Melange, Duke, Fiord, Hallingdal, Loop, Ritz, Ruskin, Steelcut, Steelcut Trio, Zero	3-6 weeks	1.440	1.800
Fabric gr. 3	Balder, Moss, Nimbus, Sisu, Skai Parotega Artificial leather*, Sunniva, Svevo, Vidar	3-6 weeks	1.920	2.400
Fabric gr. 4	Atlas, Gentle, Karakorum, Serafino	3-6 weeks	2.400	3.000
Leather	Tailor Semi-aniline leather	3-6 weeks	1.840	2.300
Leather	Noble Aniline leather	3-6 weeks	1.920	2.400
Leather	Elmosoft Semi-aniline leather	3-6 weeks	2.400	3.000
Fabric COM	COM Fabric	3-6 weeks	1.200	1.500

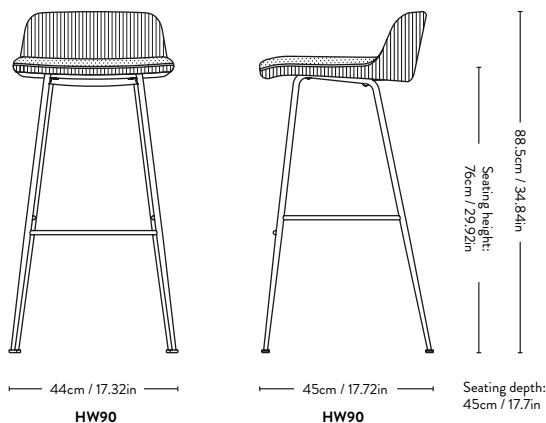
Material: Shell made from 100% recycled polypropylene with fiber glass, covered with HR foam with fabric or leather upholstery, steel tube base.

Wagner QuickClick felt gliders with interchangeable plastic inserts are installed as standard.

Fabric usage: 1.3 meters (shell), 0.8 meters (cushion) based on 140cm roll.
Leather usage: 2.3 square meters (shell), 0.7 square meters (cushion) based on a yield of 60% pr hide.

COM must be approved by &Tradition to ensure suitability for upholstery.

Minimum order quantity of same variant: 4 pcs.



Rely HW91

Hee Welling

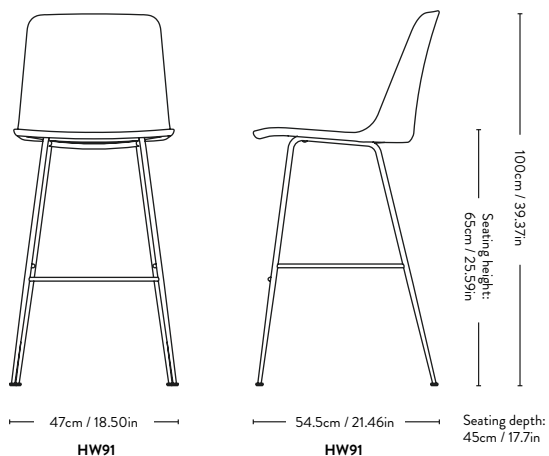
2022



Item code	Shell Colour	Model	Base	Colli qty.	Lead time	Weight	PRICE EX. VAT (SEK)	PRICE INC. VAT (SEK)
HW	Black	HW91	Black, Bronzed	1 pc	2-3 weeks	7.10 kg	2.716	3.395
HW	White	HW91	Black, Bronzed	1 pc	2-3 weeks	7.10 kg	2.716	3.395
HW	Beige Sand	HW91	Black, Bronzed	1 pc	2-3 weeks	7.10 kg	2.716	3.395
HW	Red Brown	HW91	Black, Bronzed	1 pc	2-3 weeks	7.10 kg	2.716	3.395
HW	Light Blue	HW91	Black, Bronzed	1 pc	2-3 weeks	7.10 kg	2.716	3.395
HW	Stone Grey	HW91	Black, Bronzed	1 pc	2-3 weeks	7.10 kg	2.716	3.395

Material: Shell made from 100% recycled polypropylene with fiber glass and a steel tube base.

Wagner QuickClick felt gliders with interchangeable plastic inserts are installed as standard.



Rely ^{HW92} Hee Welling 2022



Price group	Shell Colour	Seat Cushion Upholstery	Base	Lead time	Weight	PRICE EX. VAT (SEK)	PRICE INC. VAT (SEK)
Fabric gr. 1	Black, White, Beige Sand, Red Brown, Light Blue, Stone Grey	Canvas, Linara, Maple, Remix, Re-Wool	Black, Bronzed	3-6 weeks	7.90 kg	3.916	4.895
Fabric gr. 2	Black, White, Beige Sand, Red Brown, Light Blue, Stone Grey	Clay, Divina Melange, Duke, Fiord, Hallingdal, Loop, Ritz, Ruskin, Steelcut, Steelcut Trio, Zero	Black, Bronzed	3-6 weeks	7.90 kg	4.236	5.295
Fabric gr. 3	Black, White, Beige Sand, Red Brown, Light Blue, Stone Grey	Balder, Moss, Nimbus, Sisu, Skai Parotega Artificial leather*, Sunniva, Svevo, Vidar	Black, Bronzed	3-6 weeks	7.90 kg	4.716	5.895
Fabric gr. 4	Black, White, Beige Sand, Red Brown, Light Blue, Stone Grey	Atlas, Gentle, Karakorum, Serafino	Black, Bronzed	3-6 weeks	7.90 kg	5.116	6.395
Leather	Black, White, Beige Sand, Red Brown, Light Blue, Stone Grey	Tailor Semi-aniline leather	Black, Bronzed	3-6 weeks	7.90 kg	4.316	5.395
Leather	Black, White, Beige Sand, Red Brown, Light Blue, Stone Grey	Noble Aniline leather	Black, Bronzed	3-6 weeks	7.90 kg	4.716	5.895
Leather	Black, White, Beige Sand, Red Brown, Light Blue, Stone Grey	Elmosoft Semi-aniline leather	Black, Bronzed	3-6 weeks	7.90 kg	5.036	6.295
Fabric COM	Black, White, Beige Sand, Red Brown, Light Blue, Stone Grey	COM Fabric	Black, Bronzed	3-6 weeks	7.90 kg	3.916	4.895

*Skai Parotega Artificial leather:
This product contains 0,1-0,2 % C,C'-azodi (formamide), CAS no. 123-77-3.

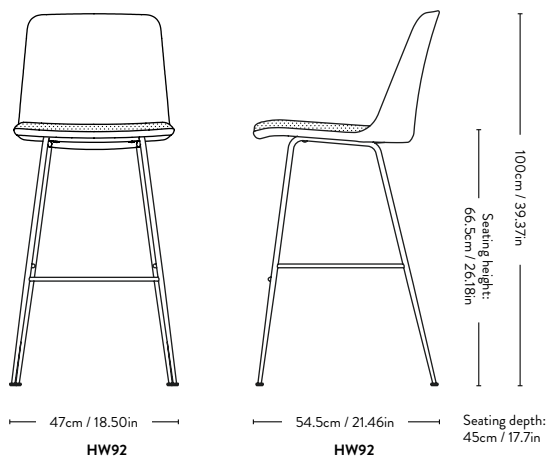
Material: Shell made from 100% recycled polypropylene with fiber glass, HR foam seat covered with fabric or leather upholstery, steel tube base.

Wagner QuickClick felt gliders with interchangeable plastic inserts are installed as standard.

Fabric usage: 0.49 meter based on a 140 cm roll.

Leather usage: 1 square meter based on a yield of 60% pr hide.

COM must be approved by &Tradition to ensure suitability for upholstery.



Rely HW93 Hee Welling 2022



Price group	Upholstery	Model	Base	Lead time	Weight	PRICE EX. VAT (SEK)	PRICE INC. VAT (SEK)
Fabric gr. 1	Canvas, Linara, Maple, Remix, Re-Wool	HW93	Black, Bronzed	3-6 weeks	7.60 kg	4.796	5.995
Fabric gr. 2	Clay, Divina Melange, Duke, Fiord, Hallingdal, Loop, Ritz, Ruskin, Steelcut, Steelcut Trio, Zero	HW93	Black, Bronzed	3-6 weeks	7.60 kg	5.516	6.895
Fabric gr. 3	Balder, Moss, Nimbus, Sisu, Skai Parotega Artificial leather*, Sunniva, Svevo, Vidar	HW93	Black, Bronzed	3-6 weeks	7.60 kg	6.316	7.895
Fabric gr. 4	Atlas, Gentle, Karakorum, Serafino	HW93	Black, Bronzed	3-6 weeks	7.60 kg	7.676	9.595
Leather	Tailor Semi-aniline leather	HW93	Black, Bronzed	3-6 weeks	7.60 kg	6.476	8.095
Leather	Noble Aniline leather	HW93	Black, Bronzed	3-6 weeks	7.60 kg	6.876	8.595
Leather	Elmosoft Semi-aniline leather	HW93	Black, Bronzed	3-6 weeks	7.60 kg	7.436	9.295
Fabric COM	COM Fabric	HW93	Black, Bronzed	3-6 weeks	7.60 kg	4.796	5.995

*Skai Parotega Artificial leather:
This product contains 0,1-0,2 % C,C'-azodi (formamide), CAS no. 123-77-3.

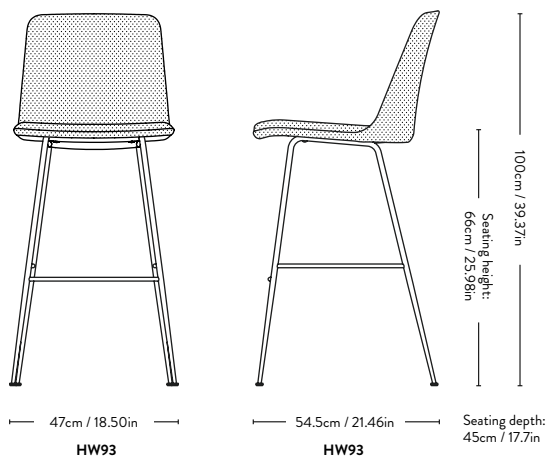
Material: Shell made from 100% recycled polypropylene with fiber glass, covered with HR foam with fabric or leather upholstery, steel tube base.

Wagner QuickClick felt gliders with interchangeable plastic inserts are installed as standard.

Fabric usage: 1.4 meters based on 140cm roll.

Leather usage: 2.2 square meters based on a yield of 60% pr hide.

COM must be approved by &Tradition to ensure suitability for upholstery.



Rely HW94 Hee Welling 2022



Price group	Upholstery	Model	Base	Lead time	Weight	PRICE EX. VAT (SEK)	PRICE INC. VAT (SEK)
Fabric gr. 1	Canvas, Linara, Maple, Remix, Re-Wool	HW94	Black, Bronzed	3-6 weeks	8.70 kg	5.036	6.295
Fabric gr. 2	Clay, Divina Melange, Duke, Fiord, Hallingdal, Loop, Ritz, Ruskin, Steelcut, Steelcut Trio, Zero	HW94	Black, Bronzed	3-6 weeks	8.70 kg	5.676	7.095
Fabric gr. 3	Balder, Moss, Nimbus, Sisu, Skai Parotega Artificial leather*, Sunniva, Svevo, Vidar	HW94	Black, Bronzed	3-6 weeks	8.70 kg	6.476	8.095
Fabric gr. 4	Atlas, Gentle, Karakorum, Serafino	HW94	Black, Bronzed	3-6 weeks	8.70 kg	7.916	9.895
Leather	Tailor Semi-aniline leather	HW94	Black, Bronzed	3-6 weeks	8.70 kg	6.716	8.395
Leather	Noble Aniline leather	HW94	Black, Bronzed	3-6 weeks	8.70 kg	7.116	8.895
Leather	Elmosoft Semi-aniline leather	HW94	Black, Bronzed	3-6 weeks	8.70 kg	8.156	10.195
Fabric COM	COM Fabric	HW94	Black, Bronzed	3-6 weeks	8.70 kg	5.036	6.295

*Skai Parotega Artificial leather:
This product contains 0,1-0,2 % C,C'-azodi (formamide), CAS no. 123-77-3.

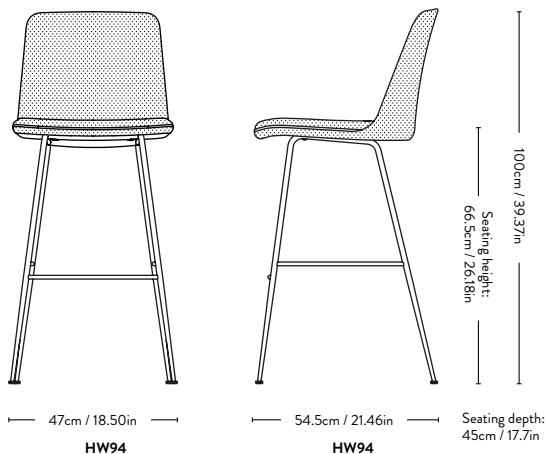
Material: Shell made from 100% recycled polypropylene with fiber glass, covered with HR foam with fabric or leather upholstery, steel tube base.

Wagner QuickClick felt gliders with interchangeable plastic inserts are installed as standard.

Fabric usage: 1.8 meters based on a 140cm roll.

Leather usage: 2.7 square meters based on a yield of 60% pr hide.

COM must be approved by &Tradition to ensure suitability for upholstery.



Rely HW95

Hee Welling

2022



Please note that price is accumulated price of shell & seat.

Price group	Shell Upholstery	Base	Lead time	Weight	PRICE EX. VAT (SEK)	PRICE INC. VAT (SEK)
Fabric gr. 1	Canvas, Linara, Maple, Remix, Re-Wool	Black, Bronzed	3-6 weeks	10.50 kg	3.836	4.795
Fabric gr. 2	Clay, Divina Melange, Duke, Fiord, Hallingdal, Loop, Ritz, Ruskin, Steelcut, Steelcut Trio, Zero	Black, Bronzed	3-6 weeks	10.50 kg	4.236	5.295
Fabric gr. 3	Balder, Moss, Nimbus, Sisu, Skai Parotega Artificial leather*, Sunniva, Svevo, Vidar	Black, Bronzed	3-6 weeks	10.50 kg	4.556	5.695
Fabric gr. 4	Atlas, Gentle, Karakorum, Serafino	Black, Bronzed	3-6 weeks	10.50 kg	5.516	6.895
Leather	Tailor Semi-aniline leather	Black, Bronzed	3-6 weeks	10.50 kg	4.876	6.095
Leather	Noble Aniline leather	Black, Bronzed	3-6 weeks	10.50 kg	5.196	6.495
Leather	Elmosoft Semi-aniline leather	Black, Bronzed	3-6 weeks	10.50 kg	5.756	7.195
Fabric COM	COM Fabric	Black, Bronzed	3-6 weeks	10.50 kg	3.836	4.795

Price group	Seat Upholstery	Lead time	PRICE EX. VAT (SEK)	PRICE INC. VAT (SEK)
Fabric gr. 1	Canvas, Linara, Maple, Remix, Re-Wool	3-6 weeks	1.200	1.500
Fabric gr. 2	Clay, Divina Melange, Duke, Fiord, Hallingdal, Loop, Ritz, Ruskin, Steelcut, Steelcut Trio, Zero	3-6 weeks	1.440	1.800
Fabric gr. 3	Balder, Moss, Nimbus, Sisu, Skai Parotega Artificial leather*, Sunniva, Svevo, Vidar	3-6 weeks	1.920	2.400
Fabric gr. 4	Atlas, Gentle, Karakorum, Serafino	3-6 weeks	2.400	3.000
Leather	Tailor Semi-aniline leather	3-6 weeks	1.840	2.300
Leather	Noble Aniline leather	3-6 weeks	1.920	2.400
Leather	Elmosoft Semi-aniline leather	3-6 weeks	2.400	3.000
Fabric COM	COM Fabric	3-6 weeks	1.200	1.500

*Skai Parotega Artificial leather:
This product contains 0,1-0,2 % C,C'-azodi (formamide), CAS no. 123-77-3.

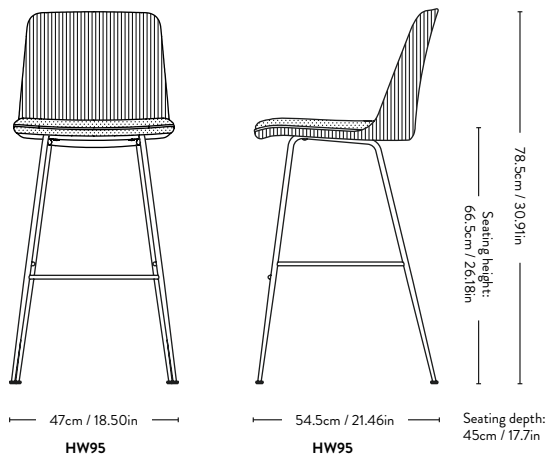
Material: Shell made from 100% recycled polypropylene with fiber glass, covered with HR foam with fabric or leather upholstery, steel tube base.

Wagner QuickClick felt gliders with interchangeable plastic inserts are installed as standard.

Fabric usage: 1.2 meters (shell), 0.7 meters (cushion) based on 140cm roll.
Leather usage: 2 square meters (shell), 0.9 square meters (cushion) based on a yield of 60% pr hide.

COM must be approved by &Tradition to ensure suitability for upholstery.

Minimum order quantity of same variant: 4 pcs.



Rely HW96

Hee Welling

2022



Item code	Shell Colour	Model	Base	Colli qty.	Lead time	Weight	PRICE EX. VAT (SEK)	PRICE INC. VAT (SEK)
HW	Black	HW96	Black, Bronzed	1 pc	2-3 weeks	7.40 kg	2.716	3.395
HW	White	HW96	Black, Bronzed	1 pc	2-3 weeks	7.40 kg	2.716	3.395
HW	Beige Sand	HW96	Black, Bronzed	1 pc	2-3 weeks	7.40 kg	2.716	3.395
HW	Red Brown	HW96	Black, Bronzed	1 pc	2-3 weeks	7.40 kg	2.716	3.395
HW	Light Blue	HW96	Black, Bronzed	1 pc	2-3 weeks	7.40 kg	2.716	3.395
HW	Stone Grey	HW96	Black, Bronzed	1 pc	2-3 weeks	7.40 kg	2.716	3.395

Material: Shell made from 100% recycled polypropylene with fiber glass and a steel tube base.

Wagner QuickClick felt gliders with interchangeable plastic inserts are installed as standard.



Rely HW97

Hee Welling

2022



Price group	Shell Colour	Seat Cushion Upholstery	Base	Lead time	Weight	PRICE EX. VAT (SEK)	PRICE INC. VAT (SEK)
Fabric gr. 1	Black, White, Beige Sand, Red Brown, Light Blue, Stone Grey	Canvas, Linara, Maple, Remix, Re-Wool	Black, Bronzed	3-6 weeks	8.20 kg	3.916	4.895
Fabric gr. 2	Black, White, Beige Sand, Red Brown, Light Blue, Stone Grey	Clay, Divina Melange, Duke, Fiord, Hallingdal, Loop, Ritz, Ruskin, Steelcut, Steelcut Trio, Zero	Black, Bronzed	3-6 weeks	8.20 kg	4.236	5.295
Fabric gr. 3	Black, White, Beige Sand, Red Brown, Light Blue, Stone Grey	Balder, Moss, Nimbus, Sisu, Skai Parotega Artificial leather*, Sunniva, Svevo, Vidar	Black, Bronzed	3-6 weeks	8.20 kg	4.716	5.895
Fabric gr. 4	Black, White, Beige Sand, Red Brown, Light Blue, Stone Grey	Atlas, Gentle, Karakorum, Serafino	Black, Bronzed	3-6 weeks	8.20 kg	5.116	6.395
Leather	Black, White, Beige Sand, Red Brown, Light Blue, Stone Grey	Tailor Semi-aniline leather	Black, Bronzed	3-6 weeks	8.20 kg	4.316	5.395
Leather	Black, White, Beige Sand, Red Brown, Light Blue, Stone Grey	Noble Aniline leather	Black, Bronzed	3-6 weeks	8.20 kg	4.716	5.895
Leather	Black, White, Beige Sand, Red Brown, Light Blue, Stone Grey	Elmosoft Semi-aniline leather	Black, Bronzed	3-6 weeks	8.20 kg	5.036	6.295
Fabric COM	Black, White, Beige Sand, Red Brown, Light Blue, Stone Grey	COM Fabric	Black, Bronzed	3-6 weeks	8.20 kg	3.916	4.895

*Skai Parotega Artificial leather:
This product contains 0,1-0,2% C,C'-azodi (formamide), CAS no. 123-77-3.

Material: Shell made from 100% recycled polypropylene with fiber glass, HR foam seat covered with fabric or leather upholstery, steel tube base.

Wagner QuickClick felt gliders with interchangeable plastic inserts are installed as standard.

Fabric usage: 0.49 meter based on a 140 cm roll.

Leather usage: 1 square meter based on a yield of 60% pr hide.

COM must be approved by &Tradition to ensure suitability for upholstery.



Rely HW98 Hee Welling 2022



Price group	Upholstery	Model	Base	Lead time	Weight	PRICE EX. VAT (SEK)	PRICE INC. VAT (SEK)
Fabric gr. 1	Canvas, Linara, Maple, Remix, Re-Wool	HW98	Black, Bronzed	3-6 weeks	7.90 kg	4.796	5.995
Fabric gr. 2	Clay, Divina Melange, Duke, Fiord, Hallingdal, Loop, Ritz, Ruskin, Steelcut, Steelcut Trio, Zero	HW98	Black, Bronzed	3-6 weeks	7.90 kg	5.516	6.895
Fabric gr. 3	Balder, Moss, Nimbus, Sisu, Skai Parotega Artificial leather*, Sunniva, Svevo, Vidar	HW98	Black, Bronzed	3-6 weeks	7.90 kg	6.316	7.895
Fabric gr. 4	Atlas, Gentle, Karakorum, Serafino	HW98	Black, Bronzed	3-6 weeks	7.90 kg	7.676	9.595
Leather	Tailor Semi-aniline leather	HW98	Black, Bronzed	3-6 weeks	7.90 kg	6.476	8.095
Leather	Noble Aniline leather	HW98	Black, Bronzed	3-6 weeks	7.90 kg	6.876	8.595
Leather	Elmosoft Semi-aniline leather	HW98	Black, Bronzed	3-6 weeks	7.90 kg	7.436	9.295
Fabric COM	COM Fabric	HW98	Black, Bronzed	3-6 weeks	7.90 kg	4.796	5.995

*Skai Parotega Artificial leather:
This product contains 0,1-0,2 % C,C'-azodi (formamide), CAS no. 123-77-3.

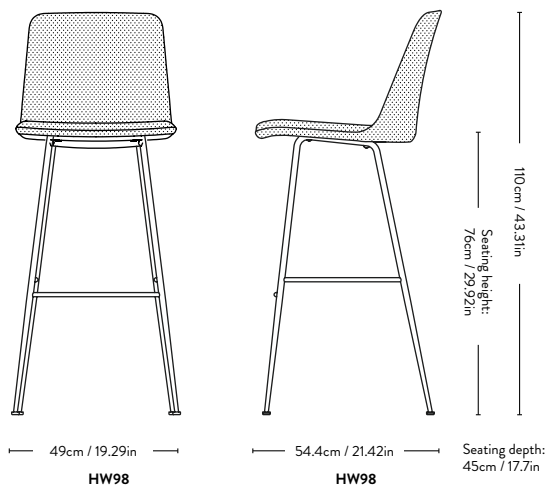
Material: Shell made from 100% recycled polypropylene with fiber glass, covered with HR foam with fabric or leather upholstery, steel tube base.

Wagner QuickClick felt gliders with interchangeable plastic inserts are installed as standard.

Fabric usage: 1.4 meters based on 140cm roll.

Leather usage: 2.2 square meters based on a yield of 60% pr hide.

COM must be approved by &Tradition to ensure suitability for upholstery.



Rely HW99 Hee Welling 2022



Price group	Upholstery	Model	Base	Lead time	Weight	PRICE EX. VAT (SEK)	PRICE INC. VAT (SEK)
Fabric gr. 1	Canvas, Linara, Maple, Remix, Re-Wool	HW99	Black, Bronzed	3-6 weeks	9.00 kg	5.036	6.295
Fabric gr. 2	Clay, Divina Melange, Duke, Fiord, Hallingdal, Loop, Ritz, Ruskin, Steelcut, Steelcut Trio, Zero	HW99	Black, Bronzed	3-6 weeks	9.00 kg	5.676	7.095
Fabric gr. 3	Balder, Moss, Nimbus, Sisu, Skai Parotega Artificial leather*, Sunniva, Svevo, Vidar	HW99	Black, Bronzed	3-6 weeks	9.00 kg	6.476	8.095
Fabric gr. 4	Atlas, Gentle, Karakorum, Serafino	HW99	Black, Bronzed	3-6 weeks	9.00 kg	7.916	9.895
Leather	Tailor Semi-aniline leather	HW99	Black, Bronzed	3-6 weeks	9.00 kg	6.716	8.395
Leather	Noble Aniline leather	HW99	Black, Bronzed	3-6 weeks	9.00 kg	7.116	8.895
Leather	Elmosoft Semi-aniline leather	HW99	Black, Bronzed	3-6 weeks	9.00 kg	8.156	10.195
Fabric COM	COM Fabric	HW99	Black, Bronzed	3-6 weeks	9.00 kg	5.036	6.295

*Skai Parotega Artificial leather:
This product contains 0,1-0,2 % C,C'-azodi (formamide), CAS no. 123-77-3.

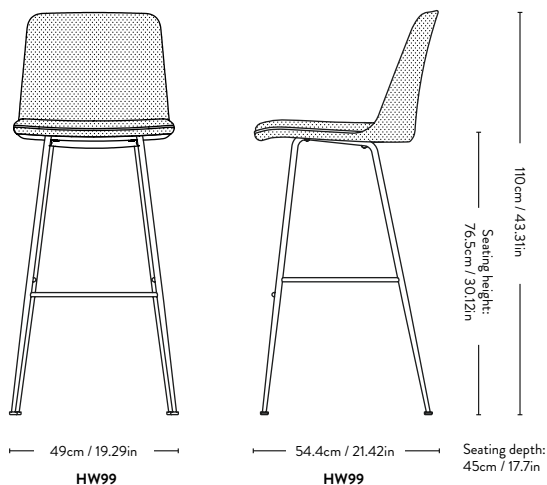
Material: Shell made from 100% recycled polypropylene with fiber glass, covered with HR foam with fabric or leather upholstery, steel tube base.

Wagner QuickClick felt gliders with interchangeable plastic inserts are installed as standard.

Fabric usage: 1.8 meters based on a 140cm roll.

Leather usage: 2.7 square meters based on a yield of 60% pr hide.

COM must be approved by &Tradition to ensure suitability for upholstery.



Rely ^{HW100} Hee Welling 2022



Please note that price is accumulated price of shell & seat.

Price group	Shell Upholstery	Base	Lead time	Weight	PRICE EX. VAT (SEK)	PRICE INC. VAT (SEK)
Fabric gr. 1	Canvas, Linara, Maple, Remix, Re-Wool	Black, Bronzed	3-6 weeks	9.00 kg	3.836	4.795
Fabric gr. 2	Clay, Divina Melange, Duke, Fiord, Hallingdal, Loop, Ritz, Ruskin, Steelcut, Steelcut Trio, Zero	Black, Bronzed	3-6 weeks	9.00 kg	4.236	5.295
Fabric gr. 3	Balder, Moss, Nimbus, Sisu, Skai Parotega Artificial leather*, Sunniva, Svevo, Vidar	Black, Bronzed	3-6 weeks	9.00 kg	4.556	5.695
Fabric gr. 4	Atlas, Gentle, Karakorum, Serafino	Black, Bronzed	3-6 weeks	9.00 kg	5.516	6.895
Leather	Tailor Semi-aniline leather	Black, Bronzed	3-6 weeks	9.00 kg	4.876	6.095
Leather	Noble Aniline leather	Black, Bronzed	3-6 weeks	9.00 kg	5.196	6.495
Leather	Elmosoft Semi-aniline leather	Black, Bronzed	3-6 weeks	9.00 kg	5.756	7.195
Fabric COM	COM Fabric	Black, Bronzed	3-6 weeks	9.00 kg	3.836	4.795

Price group	Seat Upholstery	Lead time	PRICE EX. VAT (SEK)	PRICE INC. VAT (SEK)
Fabric gr. 1	Canvas, Linara, Maple, Remix, Re-Wool	3-6 weeks	1.200	1.500
Fabric gr. 2	Clay, Divina Melange, Duke, Fiord, Hallingdal, Loop, Ritz, Ruskin, Steelcut, Steelcut Trio, Zero	3-6 weeks	1.440	1.800
Fabric gr. 3	Balder, Moss, Nimbus, Sisu, Skai Parotega Artificial leather*, Sunniva, Svevo, Vidar	3-6 weeks	1.920	2.400
Fabric gr. 4	Atlas, Gentle, Karakorum, Serafino	3-6 weeks	2.400	3.000
Leather	Tailor Semi-aniline leather	3-6 weeks	1.840	2.300
Leather	Noble Aniline leather	3-6 weeks	1.920	2.400
Leather	Elmosoft Semi-aniline leather	3-6 weeks	2.400	3.000
Fabric COM	COM Fabric	3-6 weeks	1.200	1.500

*Skai Parotega Artificial leather:
This product contains 0,1-0,2 % C,C'-azodi (formamide), CAS no. 123-77-3.

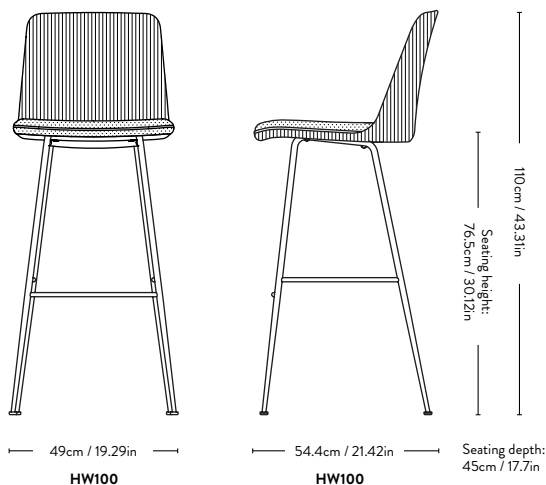
Material: Shell made from 100% recycled polypropylene with fiber glass, covered with HR foam with fabric or leather upholstery, steel tube base.

Wagner QuickClick felt gliders with interchangeable plastic inserts are installed as standard.

Fabric usage: 1.2 meters (shell), 0.7 meters (cushion) based on 140cm roll.
Leather usage: 2 square meters (shell), 0.9 square meters (cushion) based on a yield of 60% pr hide.

COM must be approved by &Tradition to ensure suitability for upholstery.

Minimum order quantity of same variant: 4 pcs.



Rely HW101

Hee Welling

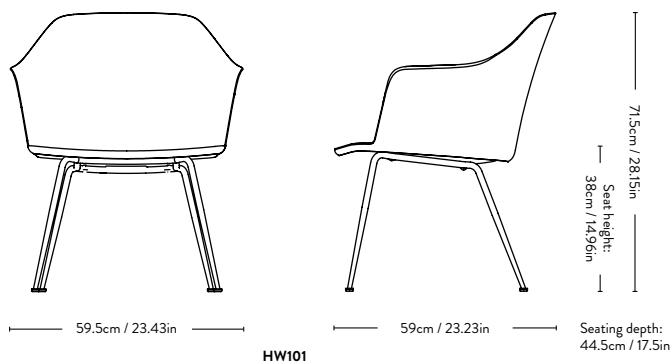
2022



Item code	Shell Colour	Model	Base	Colli qty.	Lead time	Weight	PRICE EX. VAT (SEK)	PRICE INC. VAT (SEK)
HW	Black	HW101	Black	1 pc	2-3 weeks	6.40 kg	2.476	3.095
HW	White	HW101	Black	1 pc	2-3 weeks	6.40 kg	2.476	3.095
HW	Beige Sand	HW101	Black	1 pc	2-3 weeks	6.40 kg	2.476	3.095
HW	Red Brown	HW101	Black	1 pc	2-3 weeks	6.40 kg	2.476	3.095
HW	Light Blue	HW101	Black	1 pc	2-3 weeks	6.40 kg	2.476	3.095
HW	Stone Grey	HW101	Black	1 pc	2-3 weeks	6.40 kg	2.476	3.095

Material: Shell is made from 100% recycled polypropylene with fiber glass.

Wagner QuickClick felt gliders with interchangeable plastic inserts are installed as standard.



Rely ^{HW102} Hee Welling 2022



Price group	Shell Colour	Seat Cushion Upholstery	Base	Lead time	Weight	PRICE EX. VAT (SEK)	PRICE INC. VAT (SEK)
Fabric gr. 1	Black, White, Beige Sand, Red Brown, Light Blue, Stone Grey	Canvas, Linara, Remix, Re-Wool	Black	3-6 weeks	7.60 kg	3.676	4.595
Fabric gr. 2	Black, White, Beige Sand, Red Brown, Light Blue, Stone Grey	Clay, Divina Melange, Duke, Fiord, Hallingdal, Loop, Ritz, Ruskin, Steelcut, Steelcut Trio, Zero	Black	3-6 weeks	7.60 kg	3.996	4.995
Fabric gr. 3	Black, White, Beige Sand, Red Brown, Light Blue, Stone Grey	Balder, Moss, Nimbus, Sisu, Skai Parotega Artificial leather*, Sunniva, Svevo, Vidar	Black	3-6 weeks	7.60 kg	4.476	5.595
Fabric gr. 4	Black, White, Beige Sand, Red Brown, Light Blue, Stone Grey	Atlas, Gentle, Karakorum, Serafino	Black	3-6 weeks	7.60 kg	4.876	6.095
Leather	Black, White, Beige Sand, Red Brown, Light Blue, Stone Grey	Tailor Semi-aniline leather	Black	3-6 weeks	7.60 kg	4.076	5.095
Leather	Black, White, Beige Sand, Red Brown, Light Blue, Stone Grey	Noble Aniline leather	Black	3-6 weeks	7.60 kg	4.476	5.595
Leather	Black, White, Beige Sand, Red Brown, Light Blue, Stone Grey	Elmosoft Semi-aniline leather	Black	3-6 weeks	7.60 kg	4.796	5.995
Fabric COM	Black, White, Beige Sand, Red Brown, Light Blue, Stone Grey	COM Fabric	Black	3-6 weeks	7.60 kg	3.676	4.595

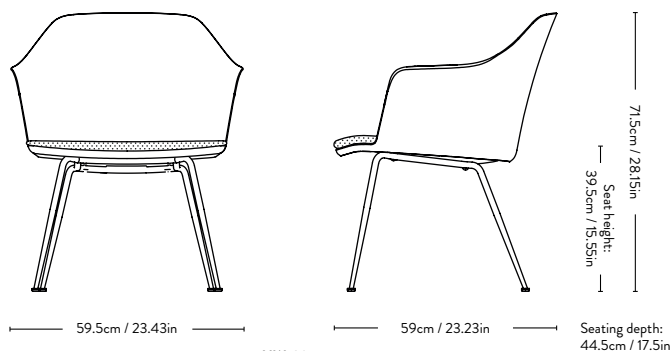
*Skai Parotega Artificial leather:
This product contains 0,1-0,2% C,C'-azodi (formamide), CAS no. 123-77-3.

Material: Shell made from 100% recycled polypropylene with fiber glass, covered with HR foam with fabric or leather upholstery, steel tube base.

Wagner QuickClick felt gliders with interchangeable plastic inserts are installed as standard.

Fabric usage: 0.49 meters based on 140cm roll.
Leather usage: 1 square meter based on a yield of 60% pr hide.

COM must be approved by &Tradition to ensure suitability for upholstery.



Rely ^{HW103} Hee Welling 2022



Price group	Upholstery	Model	Base	Lead time	Weight	PRICE EX. VAT (SEK)	PRICE INC. VAT (SEK)
Fabric gr. 1	Canvas, Linara, Remix, Re-Wool	HW103	Black	3-6 weeks	7.10 kg	4.796	5.995
Fabric gr. 2	Clay, Divina Melange, Duke, Fiord, Hallingdal, Loop, Ritz, Ruskin, Steelcut, Steelcut Trio, Zero	HW103	Black	3-6 weeks	7.10 kg	5.516	6.895
Fabric gr. 3	Balder, Moss, Nimbus, Sisu, Skai Parotega Artificial leather*, Sunniva, Svevo, Vidar	HW103	Black	3-6 weeks	7.10 kg	6.396	7.995
Fabric gr. 4	Atlas, Gentle, Karakorum, Serafino	HW103	Black	3-6 weeks	7.10 kg	8.556	10.695
Leather	Tailor Semi-aniline leather	HW103	Black	3-6 weeks	7.10 kg	6.636	8.295
Leather	Noble Aniline leather	HW103	Black	3-6 weeks	7.10 kg	7.996	9.995
Leather	Elmosoft Semi-aniline leather	HW103	Black	3-6 weeks	7.10 kg	8.796	10.995
Fabric COM	COM Fabric	HW103	Black	3-6 weeks	7.10 kg	4.796	5.995

*Skai Parotega Artificial leather:
This product contains 0,1-0,2 % C,C'-azodi (formamide), CAS no. 123-77-3.

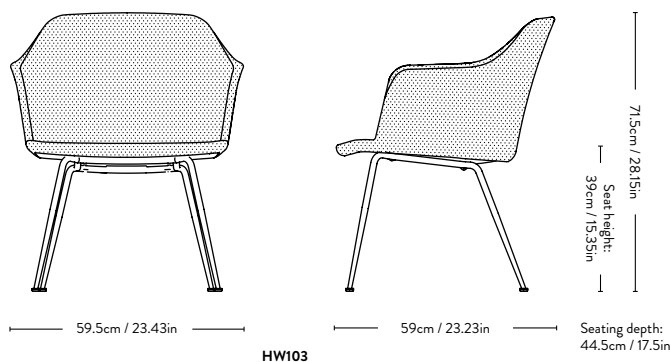
Material: Shell made from 100% recycled polypropylene with fiber glass, covered with HR foam with fabric or leather upholstery, steel tube base.

Wagner QuickClick felt gliders with interchangeable plastic inserts are installed as standard.

Fabric usage: 1.5 meters based on 140cm roll.

Leather usage: 2.7 square meters based on a yield of 60% pr hide.

COM must be approved by &Tradition to ensure suitability for upholstery.



Rely HW104

Hee Welling

2022



Price group	Upholstery	Model	Base	Lead time	Weight	PRICE EX. VAT (SEK)	PRICE INC. VAT (SEK)
Fabric gr. 1	Canvas, Linara, Remix, Re-Wool	HW104	Black	3-6 weeks	7.40 kg	5.116	6.395
Fabric gr. 2	Clay, Divina Melange, Duke, Fiord, Hallingdal, Loop, Ritz, Ruskin, Steelcut, Steelcut Trio, Zero	HW104	Black	3-6 weeks	7.40 kg	5.836	7.295
Fabric gr. 3	Balder, Moss, Nimbus, Sisu, Skai Parotega Artificial leather*, Sunniva, Svevo, Vidar	HW104	Black	3-6 weeks	7.40 kg	6.716	8.395
Fabric gr. 4	Atlas, Gentle, Karakorum, Serafino	HW104	Black	3-6 weeks	7.40 kg	8.956	11.195
Leather	Tailor Semi-aniline leather	HW104	Black	3-6 weeks	7.40 kg	6.956	8.695
Leather	Noble Aniline leather	HW104	Black	3-6 weeks	7.40 kg	8.316	10.395
Leather	Elmosoft Semi-aniline leather	HW104	Black	3-6 weeks	7.40 kg	9.356	11.695
Fabric COM	COM Fabric	HW104	Black	3-6 weeks	7.40 kg	5.116	6.395

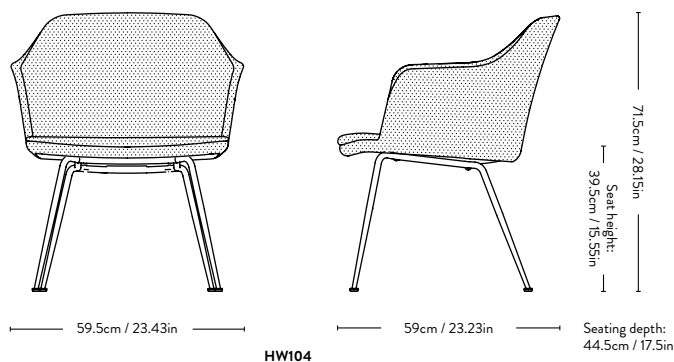
Material: Shell made from 100% recycled polypropylene with fiber glass, covered with HR foam with fabric or leather upholstery, steel tube base.

Wagner QuickClick felt gliders with interchangeable plastic inserts are installed as standard.

Fabric usage: 2.3 meters based on 140cm roll.

Leather usage: 3.4 square meters based on a yield of 60% pr hide.

COM must be approved by &Tradition to ensure suitability for upholstery.



Rely HW105

Hee Welling

2022



Please note that price is accumulated price of shell & seat.

Price group	Shell Upholstery	Model	Base	Lead time	Weight	PRICE EX. VAT (SEK)	PRICE INC. VAT (SEK)
Fabric gr. 1	Canvas, Linara, Remix, Re-Wool	HW105	Black	3-6 weeks	7.40 kg	3.916	4.895
Fabric gr. 2	Clay, Divina Melange, Duke, Fiord, Hallingdal, Loop, Ritz, Ruskin, Steelcut, Steelcut Trio, Zero	HW105	Black	3-6 weeks	7.40 kg	4.396	5.495
Fabric gr. 3	Balder, Moss, Nimbus, Sisu, Skai Parotega Artificial leather*, Sunniva, Svevo, Vidar	HW105	Black	3-6 weeks	7.40 kg	4.796	5.995
Fabric gr. 4	Atlas, Gentle, Karakorum, Serafino	HW105	Black	3-6 weeks	7.40 kg	6.556	8.195
Leather	Tailor Semi-aniline leather	HW105	Black	3-6 weeks	7.40 kg	5.116	6.395
Leather	Noble Aniline leather	HW105	Black	3-6 weeks	7.40 kg	6.396	7.995
Leather	Elmosoft Semi-aniline leather	HW105	Black	3-6 weeks	7.40 kg	6.956	8.695
Fabric COM	COM Fabric	HW105	Black	3-6 weeks	7.40 kg	3.916	4.895

Price group	Seat Upholstery	Lead time	PRICE EX. VAT (SEK)	PRICE INC. VAT (SEK)
Fabric gr. 1	Canvas, Linara, Remix, Re-Wool	3-6 weeks	1.200	1.500
Fabric gr. 2	Clay, Divina Melange, Duke, Fiord, Hallingdal, Loop, Ritz, Ruskin, Steelcut, Steelcut Trio, Zero	3-6 weeks	1.440	1.800
Fabric gr. 3	Balder, Moss, Nimbus, Sisu, Skai Parotega Artificial leather*, Sunniva, Svevo, Vidar	3-6 weeks	1.920	2.400
Fabric gr. 4	Atlas, Gentle, Karakorum, Serafino	3-6 weeks	2.400	3.000
Leather	Tailor Semi-aniline leather	3-6 weeks	1.840	2.300
Leather	Noble Aniline leather	3-6 weeks	1.920	2.400
Leather	Elmosoft Semi-aniline leather	3-6 weeks	2.400	3.000
Fabric COM	COM Fabric	3-6 weeks	1.200	1.500

*Skai Parotega Artificial leather:
This product contains 0,1-0,2 % C,C'-azodi (formamide), CAS no. 123-77-3.

Material: Shell made from 100% recycled polypropylene with fiber glass, covered with HR foam with fabric or leather upholstery, steel tube base.

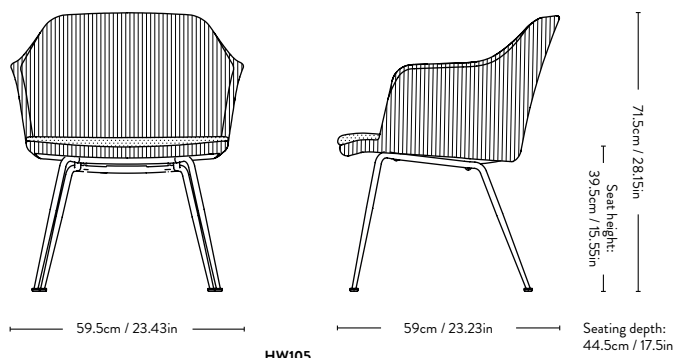
Wagner QuickClick felt gliders with interchangeable plastic inserts are installed as standard.

Fabric usage: 1.5 meters (shell), 0.8 meters (cushion) based on 140cm roll.

Leather usage: 2.7 square meters (shell), 0.8 square meters (cushion) based on a yield of 60% pr hide.

COM must be approved by &Tradition to ensure suitability for upholstery.

Minimum order quantity of same variant: 4 pcs.



Rely Seat Pad Hee Welling 2020



Price group	Upholstery	Lead time	Weight	PRICE EX. VAT (SEK)	PRICE INC. VAT (SEK)
Fabric gr. 1	Canvas, Linara, Maple, Remix, Re-Wool	3-6 weeks	0.30 kg	716	895
Fabric gr. 2	Clay, Divina Melange, Duke, Fiord, Hallingdal, Loop, Ritz, Ruskin, Steelcut, Steelcut Trio, Zero	3-6 weeks	0.30 kg	876	1.095
Fabric gr. 3	Balder, Moss, Nimbus, Sisu, Skai Parotega Artificial leather*, Sunniva, Svevo, Vidar	3-6 weeks	0.30 kg	1.276	1.595
Fabric gr. 4	Atlas, Gentle, Karakorum, Serafino	3-6 weeks	0.30 kg	2.076	2.595
Leather	Tailor Semi-aniline leather	3-6 weeks	0.30 kg	876	1.095
Leather	Noble Aniline leather	3-6 weeks	0.30 kg	1.116	1.395
Leather	Elmosoft Semi-aniline leather	3-6 weeks	0.30 kg	1.276	1.595
Fabric COM	COM Fabric	3-6 weeks	0.30 kg	716	895

*Skai Parotega Artificial leather:
This product contains 0,1-0,2 % C,C'-azodi (formamide), CAS no. 123-77-3.

Material: HR foam with anti-slip backing with textile or leather upholstery.

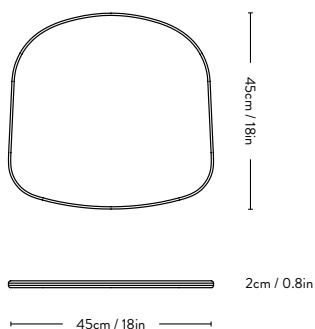
Fabric usage: 0.5 meter based on a 140 cm roll.

Leather usage: 1 square meters based on a yield of 60% pr hide.

Suitable for all Rely plastic sidechairs

COM must be approved by &Tradition to ensure suitability for upholstery.

Minimum order quantity of same variant: 4 pcs.



Rely Armchair Seat Pad Hee Welling 2021



Price group	Upholstery	Lead time	Weight	PRICE EX. VAT (SEK)	PRICE INC. VAT (SEK)
Fabric gr. 1	Canvas, Linara, Remix, Re-Wool	3-6 weeks	0.30 kg	716	895
Fabric gr. 2	Clay, Divina Melange, Duke, Fiord, Hallingdal, Loop, Ritz, Ruskin, Steelcut, Steelcut Trio, Zero	3-6 weeks	0.30 kg	876	1.095
Fabric gr. 3	Balder, Moss, Nimbus, Sisu, Skai Parotega Artificial leather*, Sunniva, Svevo, Vidar	3-6 weeks	0.30 kg	1.276	1.595
Fabric gr. 4	Atlas, Gentle, Karakorum, Serafino	3-6 weeks	0.30 kg	2.076	2.595
Leather	Tailor Semi-aniline leather	3-6 weeks	0.30 kg	876	1.095
Leather	Noble Aniline leather	3-6 weeks	0.30 kg	1.116	1.395
Leather	Elmosoft Semi-aniline leather	3-6 weeks	0.30 kg	1.276	1.595
Fabric COM	COM Fabric	3-6 weeks	0.30 kg	716	895

*Skai Parotega Artificial leather:
This product contains 0,1-0,2 % C,C'-azodi (formamide), CAS no. 123-77-3.

Material: HR foam with anti-slip backing with textile or leather upholstery.

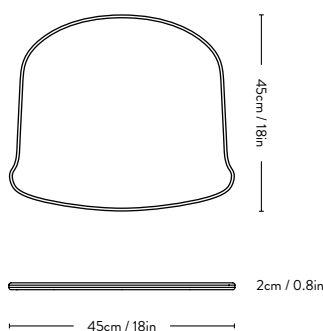
Fabric usage: 0.5 meter based on a 140 cm roll.

Leather usage: 1 square meters based on a yield of 60% pr hide.

Suitable for all Rely plastic armchairs

COM must be approved by &Tradition to ensure suitability for upholstery.

Minimum order quantity of same variant: 4 pcs.



Rely Stool Seat Pad Hee Welling 2021



Price group	Upholstery	Lead time	Weight	PRICE EX. VAT (SEK)	PRICE INC. VAT (SEK)
Fabric gr. 1	Canvas, Linara, Maple, Remix, Re-Wool	3-6 weeks	0.30 kg	716	895
Fabric gr. 2	Clay, Divina Melange, Duke, Fiord, Hallingdal, Loop, Ritz, Ruskin, Steelcut, Steelcut Trio, Zero	3-6 weeks	0.30 kg	876	1.095
Fabric gr. 3	Balder, Moss, Nimbus, Sisu, Skai Parotega Artificial leather*, Sunniva, Svevo, Vidar	3-6 weeks	0.30 kg	1.276	1.595
Fabric gr. 4	Atlas, Gentle, Karakorum, Serafino	3-6 weeks	0.30 kg	2.076	2.595
Leather	Tailor Semi-aniline leather	3-6 weeks	0.30 kg	876	1.095
Leather	Noble Aniline leather	3-6 weeks	0.30 kg	1.116	1.395
Leather	Elmosoft Semi-aniline leather	3-6 weeks	0.30 kg	1.276	1.595
Fabric COM	COM Fabric	3-6 weeks	0.30 kg	716	895

*Skai Parotega Artificial leather:
This product contains 0,1-0,2 % C,C'-azodi (formamide), CAS no. 123-77-3.

Material: HR foam with anti-slip backing with textile or leather upholstery.

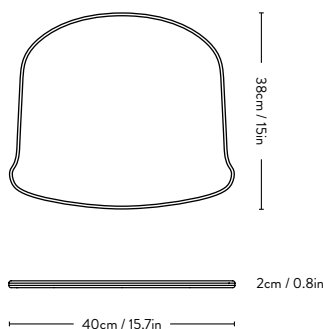
Fabric usage: 0.5 meter based on a 140 cm roll.

Leather usage: 1 square meters based on a yield of 60% pr hide.

Suitable for all Rely plastic Stools

COM must be approved by &Tradition to ensure suitability for upholstery.

Minimum order quantity of same variant: 4 pcs.



Betty^{TK1 & TK2} Thau & Kallio 2019



Item code	Product	Webbing	Model	Colli qty.	Lead time	Weight	PRICE EX. VAT (SEK)	PRICE INC. VAT (SEK)
13010032	Maroon	Natural	TK1	2 pcs	Stock item	4.00 kg	4.228	5.285
13010094	Black	Natural	TK1	2 pcs	Stock item	4.00 kg	4.228	5.285
13010092	Oak	Natural	TK1	2 pcs	Stock item	4.00 kg	4.228	5.285
13011094	Black	Black	TK1	2 pcs	Stock item	4.00 kg	4.228	5.285
13020032	Maroon		TK2	2 pcs	Stock item	4.70 kg	3.428	4.285
13020094	Black		TK2	2 pcs	Stock item	4.70 kg	3.428	4.285
13020092	Oak		TK2	2 pcs	Stock item	4.70 kg	3.428	4.285
13010000	Betty linking system *must be specified with the order			1 pc	6-8 weeks	0.40 kg	680	850

Frame Seat

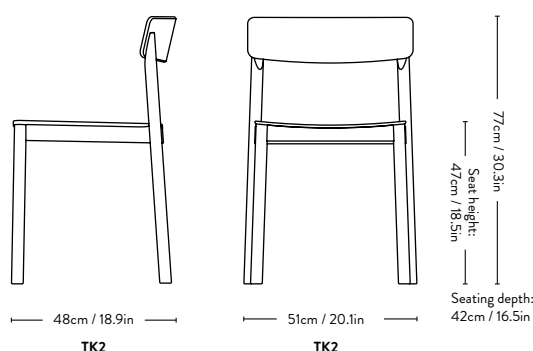
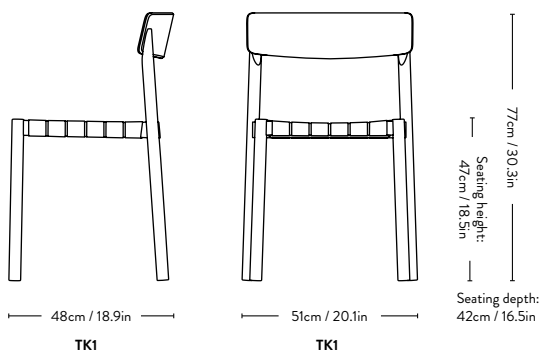
TK1 Wood Natural or Black Linen Webbing

TK2 Wood Wood

Material: Solid wood and formpressed veneer with seat in natural or black linen webbing or form pressed veneer.
TK1, TK2 Maroon and Black lacquered ash
TK1, TK2 Lacquered oak

Wagner QuickClick felt gliders with interchangeable plastic inserts are installed as standard.

Stackable chair: 8 pcs



Betty TK3

Thau & Kallio

2019



Item code	Product	Model	Frame	Colli qty.	Lead time	Weight	PRICE EX. VAT (SEK)	PRICE INC. VAT (SEK)
13039520	Noble Aniline leather Black	TK3	Black	2 pcs	Stock item	5.60 kg	5.144	6.430
13039525	Noble Aniline leather Cognac	TK3	Oak	2 pcs	Stock item	5.60 kg	5.144	6.430

Price group	Upholstery	Model	Frame	Lead time	Weight	PRICE EX. VAT (SEK)	PRICE INC. VAT (SEK)
Fabric gr. 1	Canvas, Linara, Maple, Remix, Re-Wool	TK3	Black, Maroon	6-8 weeks	5.60 kg	4.572	5.715
		TK3	Oak	6-8 weeks	5.60 kg	4.572	5.715
Fabric gr. 2	Clay, Divina Melange, Duke, Fiord, Hallingdal, Loop, Ritz, Ruskin, Steelcut, Steelcut Trio, Zero	TK3	Black, Maroon	6-8 weeks	5.60 kg	4.800	6.000
		TK3	Oak	6-8 weeks	5.60 kg	4.800	6.000
Fabric gr. 3	Balder, Moss, Nimbus, Sisu, Skai Parotega Artificial leather*, Sunniva, Svevo, Vidar	TK3	Black, Maroon	6-8 weeks	5.60 kg	5.028	6.285
		TK3	Oak	6-8 weeks	5.60 kg	5.028	6.285
Fabric gr. 4	Atlas, Karakorum	TK3	Black, Maroon	6-8 weeks	5.60 kg	5.372	6.715
		TK3	Oak	6-8 weeks	5.60 kg	5.372	6.715
Leather	Tailor Semi-aniline leather	TK3	Black, Maroon	6-8 weeks	5.60 kg	4.684	5.855
		TK3	Oak	6-8 weeks	5.60 kg	4.684	5.855
Leather	Noble Aniline leather	TK3	Black, Maroon	6-8 weeks	5.60 kg	5.144	6.430
		TK3	Oak	6-8 weeks	5.60 kg	5.144	6.430
Leather	Elmosoft Semi-aniline leather	TK3	Black, Maroon	6-8 weeks	5.60 kg	5.484	6.855
		TK3	Oak	6-8 weeks	5.60 kg	5.484	6.855
Fabric COM	COM Fabric	TK3	Black, Maroon	6-8 weeks	5.60 kg	4.572	5.715
		TK3	Oak	6-8 weeks	5.60 kg	4.476	5.595
13010000	Betty linking system *must be specified with the order			6-8 weeks	0.40 kg	680	850

*Skai Parotega Artificial leather:
This product contains 0,1-0,2 % C,C'-azodi (formamide), CAS no. 123-77-3.

Frame Seat

TK3 Wood Upholstered

Material: Lacquered solid wood and formpressed veneer with upholstered HR foam seat.

TK3 Maroon and Black lacquered ash

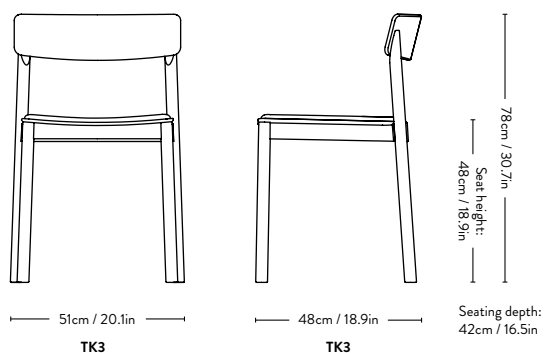
TK3 Lacquered oak

Fabric usage: 0.36 meter based on a 140 cm roll.

Leather usage: 0.36 square meters based on a yield of 60% pr hide.

COM must be approved by &Tradition to ensure suitability for upholstery.

Wagner QuickClick felt gliders with interchangeable plastic inserts are installed as standard.



Betty^{TK4 & TK5} Thau & Kallio 2019



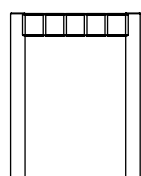
Item code	Product	Webbing	Model	Colli qty.	Lead time	Weight	PRICE EX. VAT (SEK)	PRICE INC. VAT (SEK)
13040032	Maroon	Natural	TK4	1 pc	Stock item	5.80 kg	6.288	7.860
13040094	Black	Natural	TK4	1 pc	Stock item	5.80 kg	6.288	7.860
13041094	Black	Black	TK4	1 pc	Stock item	5.80 kg	6.288	7.860
13040092	Oak	Natural	TK4	1 pc	Stock item	7.40 kg	6.288	7.860
13050032	Maroon	Natural	TK5	1 pc	Stock item	7.40 kg	7.432	9.290
13050094	Black	Natural	TK5	1 pc	Stock item	7.40 kg	7.432	9.290
13051094	Black	Black	TK5	1 pc	Stock item	7.40 kg	7.432	9.290
13050092	Oak	Natural	TK5	1 pc	Stock item	7.40 kg	7.432	9.290

Frame **Seat**

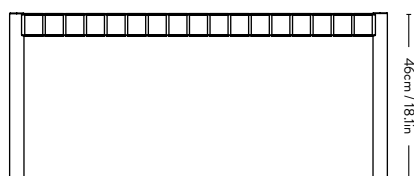
TK4 Wood Natural or Black Webbing
TK5 Wood Natural or Black Webbing

Material: Lacquered solid wood and formpressed veneer with seat in natural linen webbing.

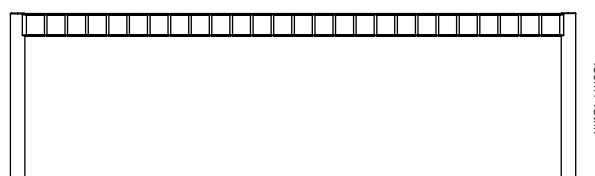
Felt gliders installed as standard.



36cm / 14.2in
TK4 & TK5



105cm / 41.3in
TK4

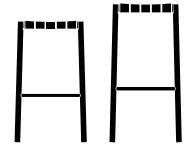


157cm / 61.8in
TK5

Betty ^{TK7 & TK8}

Thau & Kallio

2021



Item code	Product	Webbing	Model	Colli qty.	Lead time	Weight	PRICE EX. VAT (SEK)	PRICE INC. VAT (SEK)
13070032	Maroon	Natural	TK7	1 pc	Stock item	3.50 kg	4.340	5.425
13070094	Black	Natural	TK7	1 pc	Stock item	3.50 kg	4.340	5.425
13071094	Black	Black	TK7	1 pc	Stock item	3.50 kg	4.340	5.425
13070092	Oak	Natural	TK7	1 pc	Stock item	3.50 kg	4.340	5.425
13071199	TK7 w. Footrest Protector*		TK7	1 pc	6-8 weeks	3.60 kg	4.676	5.845
13080032	Maroon	Natural	TK8	1 pc	Stock item	3.50 kg	4.340	5.425
13080094	Black	Natural	TK8	1 pc	Stock item	3.50 kg	4.340	5.425
13081094	Black	Black	TK8	1 pc	Stock item	3.50 kg	4.340	5.425
13080092	Oak	Natural	TK8	1 pc	Stock item	3.50 kg	4.340	5.425
13081199	TK8 w. Footrest Protector*		TK8	1 pc	6-8 weeks	3.60 kg	4.676	5.845
13010005	Footrest protector			1 pc	Stock item	0.10 kg	336	420

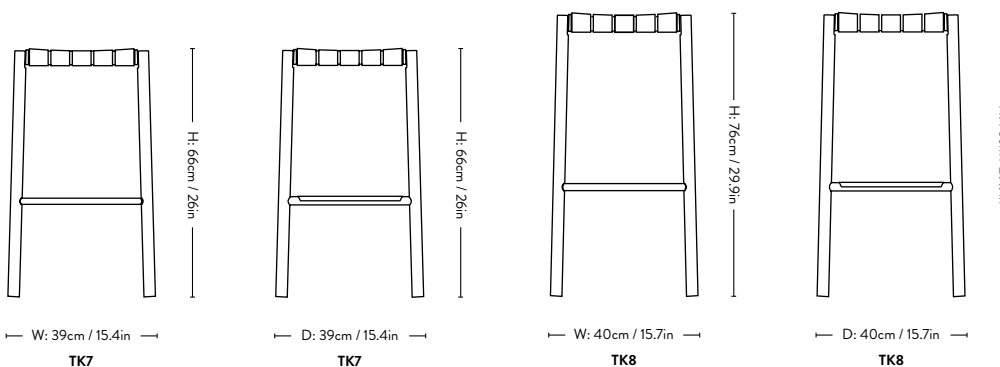
Frame Seat

TK7 Wood Natural or Black Webbing
TK8 Wood Natural or Black Webbing

Material: Lacquered solid wood with seat in natural linen webbing.
 The footrest protector is from steel.
 TK7, TK8 Maroon and Black lacquered ash
 TK7, TK8 Lacquered oak

Felt gliders installed as standard.

*Please specify stool colour with the order
 (Maroon, Black, Black/Black, Oak).



Boomerang^{HM1} Hvidt & Mølgaard 1956

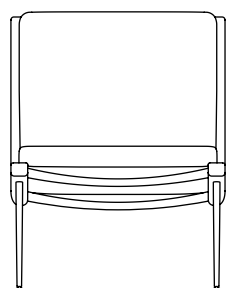


Item no.	Upholstery	Base	Finish	Model	Lead time	Weight	PRICE EX. VAT (SEK)	PRICE INC. VAT (SEK)
14019201	Hallingdal 130	Brass	Oiled Oak	HM1	Stock item	8.50 kg	22.876	28.595
14019601		Brass	Oiled Walnut				25.164	31.455
14019401		Stainless Steel	Oiled Oak				22.876	28.595
14019701		Stainless Steel	Oiled Walnut				25.164	31.455
14019202	Loop Marine K5042/40	Brass	Oiled Oak	HM1	Stock item	8.50 kg	22.876	28.595
14019602		Brass	Oiled Walnut				25.164	31.455
14019402		Stainless Steel	Oiled Oak				22.876	28.595
14019702		Stainless Steel	Oiled Walnut				25.164	31.455
14019203	Loop Cream K5042/33	Brass	Oiled Oak	HM1	Stock item	8.50 kg	22.876	28.595
14019603		Brass	Oiled Walnut				25.164	31.455
14019403		Stainless Steel	Oiled Oak				22.876	28.595
14019703		Stainless Steel	Oiled Walnut				25.164	31.455
14019204	Duke 004	Brass	Oiled Oak	HM1	Stock item	8.50 kg	22.876	28.595
14019604		Brass	Oiled Walnut				25.164	31.455
14019404		Stainless Steel	Oiled Oak				22.876	28.595
14019704		Stainless Steel	Oiled Walnut				25.164	31.455
14019205	Karakorum 003	Brass	Oiled Oak	HM1	Stock item	8.50 kg	25.164	31.455
14019605		Brass	Oiled Walnut				27.452	34.315
14019405		Stainless Steel	Oiled Oak				25.164	31.455
14019705		Stainless Steel	Oiled Walnut				27.452	34.315
14019208	Serafino Lino	Brass	Oiled Oak	HM1	Stock item	8.50 kg	25.164	31.455
14019608		Brass	Oiled Walnut				27.452	34.315
14019408		Stainless Steel	Oiled Oak				25.164	31.455
14019708		Stainless Steel	Oiled Walnut				27.452	34.315

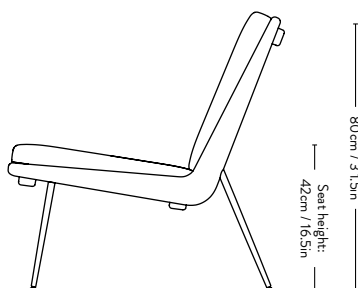
Frame	Finish
Wood	Oiled Oak, Oiled Walnut
Metal	Brass, Stainless Steel

Material: Wood, HR foam, polyester wadding, fabric upholstery, brass, and stainless steel.

Plastic gliders are installed as standard.



61cm / 24in
HM1

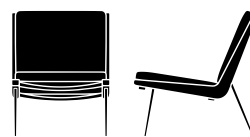


69cm / 27.2in
HM1
80cm / 31.5in
42cm / 16.5in
Seating depth: 50cm / 19.7

Boomerang^{HM1}

Hvidt & Mølgaard

1956



	Upholstery	Base	Finish	Model	Lead time	Weight	PRICE EX. VAT (SEK)	PRICE INC. VAT (SEK)
Fabric gr. 1	Canvas, Linara, Maple, Remix, Re-Wool	Brass	Oiled Oak	HM1	6-8 weeks	8.50 kg	25.164	31.455
		Brass	Oiled Walnut				27.452	34.315
		Stainless Steel	Oiled Oak				25.164	31.455
		Stainless Steel	Oiled Walnut				27.452	34.315
Fabric gr. 2	Clay, Divina Melange, Duke, Fiord, Hallingdal, Loop, Ritz, Ruskin, Steelcut, Steelcut Trio, Zero	Brass	Oiled Oak	HM1	6-8 weeks	8.50 kg	26.308	32.885
		Brass	Oiled Walnut				28.596	35.745
		Stainless Steel	Oiled Oak				26.308	32.885
		Stainless Steel	Oiled Walnut				28.596	35.745
Fabric gr. 3	Balder, Harald, Moss, Nimbus, Sisu, Skai Parotega Artificial leather*, Sunniva, Svevo, Vidar	Brass	Oiled Oak	HM1	6-8 weeks	8.50 kg	27.452	34.315
		Brass	Oiled Walnut				29.740	37.175
		Stainless Steel	Oiled Oak				27.452	34.315
		Stainless Steel	Oiled Walnut				29.740	37.175
Fabric gr. 4	Atlas, Gentle, Karakorum, Serafino	Brass	Oiled Oak	HM1	6-8 weeks	8.50 kg	28.596	35.745
		Brass	Oiled Walnut				30.884	38.605
		Stainless Steel	Oiled Oak				28.596	35.745
		Stainless Steel	Oiled Walnut				30.884	38.605
Fabric COM	COM Fabric	Brass	Oiled Oak	HM1	6-8 weeks	8.50 kg	25.164	31.455
		Brass	Oiled Walnut				27.452	34.315
		Stainless Steel	Oiled Oak				25.164	31.455
		Stainless Steel	Oiled Walnut				27.452	34.315

*Skai Parotega Artificial leather:

This product contains 0,1-0,2% C,C'-azodi (formamide), CAS no. 123-77-3.

Frame	Finish
Wood	Oiled Oak, Oiled Walnut
Metal	Brass, Stainless Steel

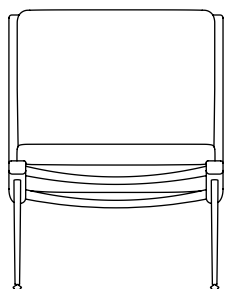
Material: Wood, HR foam, polyester wadding, fabric upholstery, brass, and stainless steel.

Fabric usage: 2 meters based on a 140cm roll.

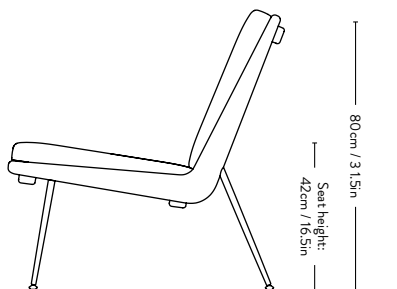
COM must be approved by &Tradition to ensure suitability for upholstery.

HM1 is not available in leather.

Plastic gliders are installed as standard.



61cm / 24in
HM1



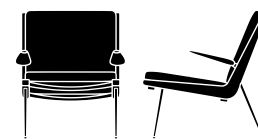
69cm / 27.2in
HM1

80cm / 31.5in
Seat height:
42cm / 16.5in
Seating depth:
50cm / 19.7

Boomerang^{HM2}

Hvidt & Mølgaard

1956

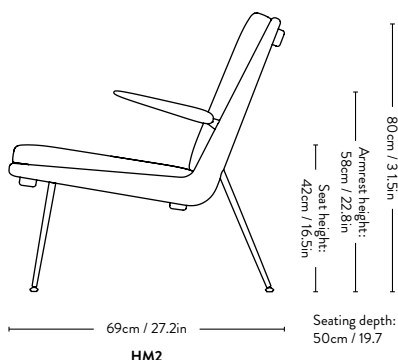
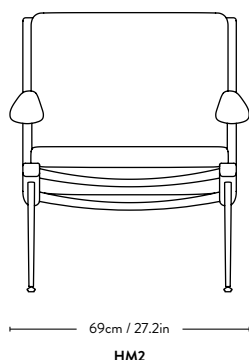


Item no.	Upholstery	Base	Finish	Model	Lead time	Weight	PRICE EX. VAT (SEK)	PRICE INC. VAT (SEK)
14029201	Hallingdal 130	Brass	Oiled Oak	HM2	Stock item	8.50 kg	25.164	31.455
14029601		Brass	Oiled Walnut				28.596	35.745
14029401		Stainless Steel	Oiled Oak				25.164	31.455
14029701		Stainless Steel	Oiled Walnut				28.596	35.745
14029202	Loop Marine K5042/40	Brass	Oiled Oak	HM2	Stock item	8.50 kg	25.164	31.455
14029602		Brass	Oiled Walnut				28.596	35.745
14029402		Stainless Steel	Oiled Oak				25.164	31.455
14029702		Stainless Steel	Oiled Walnut				28.596	35.745
14029203	Loop Cream K5042/33	Brass	Oiled Oak	HM2	Stock item	8.50 kg	25.164	31.455
14029603		Brass	Oiled Walnut				28.596	35.745
14029403		Stainless Steel	Oiled Oak				25.164	31.455
14029703		Stainless Steel	Oiled Walnut				28.596	35.745
14029204	Duke 004	Brass	Oiled Oak	HM2	Stock item	8.50 kg	25.164	31.455
14029604		Brass	Oiled Walnut				28.596	35.745
14029404		Stainless Steel	Oiled Oak				25.164	31.455
14029704		Stainless Steel	Oiled Walnut				28.596	35.745
14029205	Karakorum 003	Brass	Oiled Oak	HM2	Stock item	8.50 kg	27.452	34.315
14029605		Brass	Oiled Walnut				30.884	38.605
14029405		Stainless Steel	Oiled Oak				27.452	34.315
14029705		Stainless Steel	Oiled Walnut				30.884	38.605
14029208	Serafino Lino	Brass	Oiled Oak	HM2	Stock item	8.50 kg	27.452	34.315
14029608		Brass	Oiled Walnut				30.884	38.605
14029408		Stainless Steel	Oiled Oak				27.452	34.315
14029708		Stainless Steel	Oiled Walnut				30.884	38.605

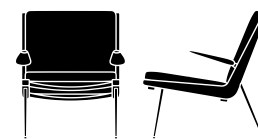
Frame	Finish
Wood	Oiled Oak, Oiled Walnut
Metal	Brass, Stainless Steel

Material: Wood, HR foam, polyester wadding, fabric upholstery, brass, and stainless steel.

Plastic gliders are installed as standard.



Boomerang^{HM2} Hvidt & Mølgaard 1956



	Upholstery	Base	Finish	Model	Lead time	Weight	PRICE EX. VAT (SEK)	PRICE INC. VAT (SEK)
Fabric gr. 1	Canvas, Linara, Maple, Remix, Re-Wool	Brass	Oiled Oak	HM2	6-8 weeks	8.50 kg	27.452	34.315
		Brass	Oiled Walnut				30.884	38.605
		Stainless Steel	Oiled Oak				27.452	34.315
		Stainless Steel	Oiled Walnut				30.884	38.605
Fabric gr. 2	Clay, Divina Melange, Duke, Fiord, Hallingdal, Loop, Ritz, Ruskin, Steelcut, Steelcut Trio, Zero	Brass	Oiled Oak	HM2	6-8 weeks	8.50 kg	28.596	35.745
		Brass	Oiled Walnut				32.028	40.035
		Stainless Steel	Oiled Oak				28.596	35.745
		Stainless Steel	Oiled Walnut				32.028	40.035
Fabric gr. 3	Balder, Harald, Moss, Nimbus, Sisu, Skai Parotega Artificial leather*, Sunniva, Svevo, Vidar	Brass	Oiled Oak	HM2	6-8 weeks	8.50 kg	29.740	37.175
		Brass	Oiled Walnut				33.172	41.465
		Stainless Steel	Oiled Oak				29.740	37.175
		Stainless Steel	Oiled Walnut				33.172	41.465
Fabric gr. 4	Atlas, Gentle, Karakorum, Serafino	Brass	Oiled Oak	HM2	6-8 weeks	8.50 kg	30.884	38.605
		Brass	Oiled Walnut				34.316	42.895
		Stainless Steel	Oiled Oak				30.884	38.605
		Stainless Steel	Oiled Walnut				34.316	42.895
Fabric COM	COM Fabric	Brass	Oiled Oak	HM2	6-8 weeks	8.50 kg	27.452	34.315
		Brass	Oiled Walnut				30.884	38.605
		Stainless Steel	Oiled Oak				27.452	34.315
		Stainless Steel	Oiled Walnut				30.884	38.605

*Skai Parotega Artificial leather:

This product contains 0,1-0,2 % C,C'-azodi (formamide), CAS no. 123-77-3.

Frame	Finish
Wood	Oiled Oak, Oiled Walnut
Metal	Brass, Stainless Steel

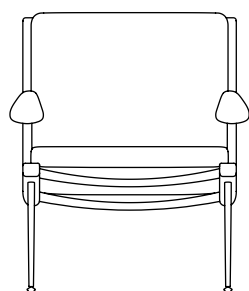
Material: Wood, HR foam, polyester wadding, fabric upholstery, brass, and stainless steel.

Fabric usage: 2 meters based on a 140cm roll.

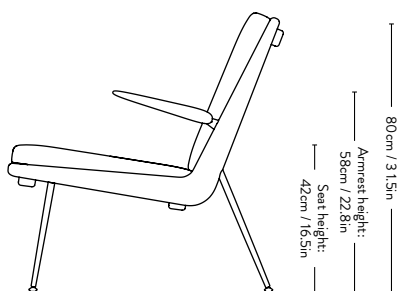
COM must be approved by &Tradition to ensure suitability for upholstery.

HM2 is not available in leather.

Plastic gliders are installed as standard.




69cm / 27.2in
HM2

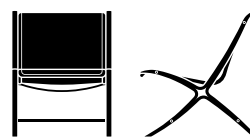


69cm / 27.2in
HM2

80cm / 31.5in
Armrest height:
58cm / 22.8in
Seat height:
42cm / 16.5in
Seating depth:
50cm / 19.7

X HM10 

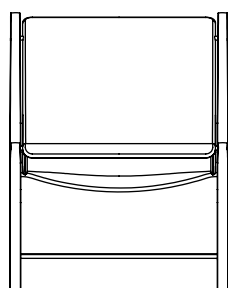
Hvidt & Mølgaard 1959



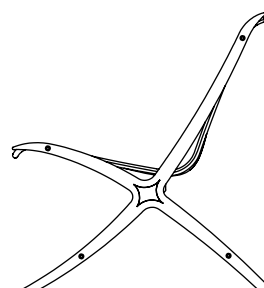
Item code	Product	Model	Colli qty.	Lead time	Weight	PRICE EX. VAT (SEK)	PRICE INC. VAT (SEK)
15120092	Lacquered oak w. walnut inserts and natural rattan	HM10	1 pc	Stock item	6.27 kg	11.436	14.295

Material: Lacquered oak veneer w. solid walnut inserts and natural rattan seat

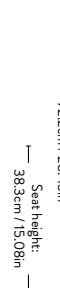
Plastic gliders with interchangeable felt inserts are installed as standard.



56.6cm / 22.28in



67.3cm / 26.5in



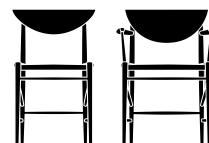
72.2cm / 28.43in
Seat height:
38.3cm / 15.08in

Seating depth:
44.5cm / 17.5in

HM10

Drawn HM3 & HM4

Hvidt & Mølgaard 1956



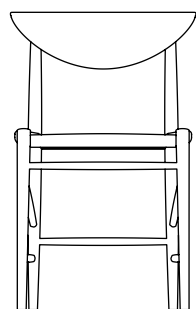
Item code	Upholstery	Model	Colli qty.	Lead time	Weight	PRICE EX. VAT (SEK)	PRICE INC. VAT (SEK)
14030092	Oiled Oak w. Natural Paper Cord	HM3	1 pc	Stock item	4.50 kg	6.628	8.285
14030094	Black Lacquered Oak w. Natural Paper Cord	HM3	1 pc	Stock item	4.30 kg	6.628	8.285
14030096	Walnut w. Natural Paper Cord	HM3	1 pc	Stock item	4.50 kg	7.432	9.290
14040092	Oiled Oak w. Natural Paper Cord	HM4	1 pc	Stock item	6.00 kg	8.916	11.145
14040094	Black Lacquered Oak with Natural Paper Cord	HM4	1 pc	Stock item	5.70 kg	8.916	11.145
14040096	Walnut w. Natural Paper Cord	HM4	1 pc	Stock item	6.00 kg	10.060	12.575

Item code	Upholstery	Model	Colli qty.	Lead time	Weight	PRICE EX. VAT (SEK)	PRICE INC. VAT (SEK)
14100107	Drawn Seat Pad w. Black Prescott Leather	HM3	1 pc	Stock item	0.60 kg	852	1.065
14100207	Drawn Seat Pad w. Cognac Prescott Leather	HM3	1 pc	Stock item	0.60 kg	852	1.065
14100307	Drawn Seat Pad w. Black Prescott Leather	HM4	1 pc	Stock item	0.70 kg	1.024	1.280
14100407	Drawn Seat Pad w. Cognac Prescott Leather	HM4	1 pc	Stock item	0.70 kg	1.024	1.280

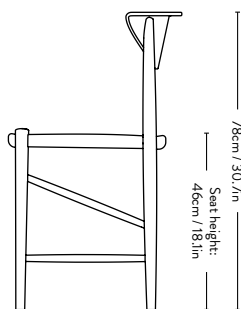
Frame	Seat
Oiled Oak	Natural Paper Cord
Black Lacquered Oak	
Oiled Walnut	

Material: Solid wood, formpressed wood veneer & paper cord.

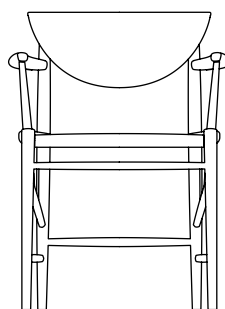
Wagner QuickClick felt gliders with interchangeable plastic inserts are installed as standard.



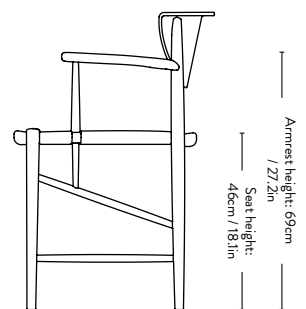
49cm / 19.3in
HM3



46cm / 18.1in
HM3
Seating depth: 42cm / 16.5in



59cm / 23.2in
HM4



54cm / 21.3in
HM4
Seating depth: 49cm / 19.3in

Little Petra ^{VB1} Viggo Boesen 1938



Item no.	Upholstery	Model	Base	Lead time	Weight	PRICE EX. VAT (SEK)	PRICE INC. VAT (SEK)
69113201	Hallingdal 130	VB1	Oak	2-4 weeks	20.00 kg	22.876	28.595
69113202	Hallingdal 130	VB1	Walnut	2-4 weeks	20.00 kg	22.876	28.595
69113203	Karakorum 003	VB1	Oak	Stock item	20.00 kg	28.596	35.745
69113204	Karakorum 003	VB1	Walnut	Stock item	20.00 kg	28.596	35.745
69113205	Sheepskin, 17mm Moonlight	VB1	Oak	Stock item	20.00 kg	38.892	48.615
69113206	Sheepskin, 17mm Moonlight	VB1	Walnut	Stock item	20.00 kg	38.892	48.615
69113207	Sheepskin, 17mm Sahara	VB1	Oak	Stock item	20.00 kg	38.892	48.615
69113208	Sheepskin, 17mm Sahara	VB1	Walnut	Stock item	20.00 kg	38.892	48.615
69113209	Sheepskin, 50mm Honey	VB1	Oak	2-4 weeks	20.00 kg	38.892	48.615
69113210	Sheepskin, 50mm Honey	VB1	Walnut	2-4 weeks	20.00 kg	38.892	48.615

Item no.	Upholstery	Model	Base	Lead time	Weight	PRICE EX. VAT (SEK)	PRICE INC. VAT (SEK)
Fabric gr. 2	Clay, Divina Melange, Fiord, Hallingdal, Loop, Ruskin, Steelcut, Steelcut Trio, Zero	VB1	Oak	6-8 weeks	20.00 kg	25.164	31.455
		VB1	Walnut	6-8 weeks	20.00 kg	25.164	31.455
Fabric gr. 3	Balder, Moss, Nimbus, Sisu, Skai Parotega Artificial leather*, Sunniva, Svevo, Vidar	VB1	Oak	6-8 weeks	20.00 kg	27.452	34.315
		VB1	Walnut	6-8 weeks	20.00 kg	27.452	34.315
Fabric gr. 4	Karakorum, Gentle, Serafino	VB1	Oak	6-8 weeks	20.00 kg	33.172	41.465
		VB1	Walnut	6-8 weeks	20.00 kg	33.172	41.465
Sheepskin MTO	Sheepskin 17mm, Sheepskin 50mm	VB1	Oak	6-8 weeks	20.00 kg	45.756	57.195
		VB1	Walnut	6-8 weeks	20.00 kg	45.756	57.195
Fabric COM	COM Fabric	VB1	Oak	6-8 weeks	20.00 kg	25.164	31.455
		VB1	Walnut	6-8 weeks	20.00 kg	25.164	31.455

*Skai Parotega Artificial leather:

This product contains 0,1-0,2% C,C'-azodi (formamide), CAS no. 123-77-3.

Base Finish

Solid Oak Oiled Oak
Solid Walnut Oiled Walnut

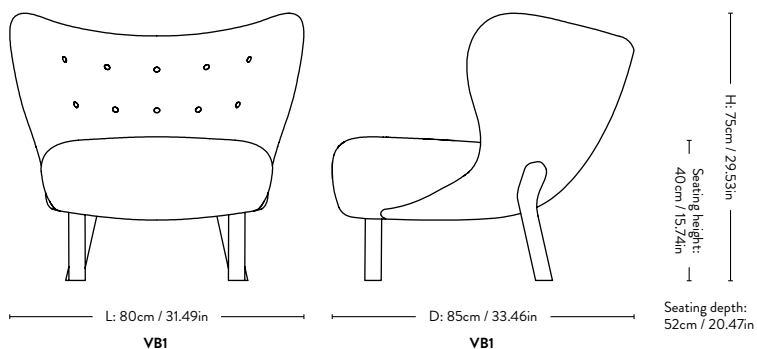
Material: Wood, HR foam, polyester wadding, fabric upholstery.

Fabric usage: 3.8 meters based on a 140cm roll.

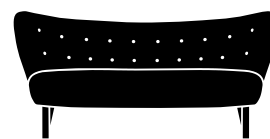
COM must be approved by &Tradition to ensure suitability for upholstery.

Little Petra VB1 is not available in leather.

Felt gliders installed as standard.



Little Petra ^{VB2} Viggo Boesen 1938



Item no.	Upholstery	Model	Base	Lead time	Weight	PRICE EX. VAT (SEK)	PRICE INC. VAT (SEK)
69113406	Karakorum 003	VB2	Oak	2-4 weeks	35.00 kg	42.324	52.905
69113405	Karakorum 003	VB2	Walnut	2-4 weeks	35.00 kg	42.324	52.905
69113402	Sheepskin Moonlight 17mm	VB2	Oak	Stock item	35.00 kg	57.196	71.495
69113401	Sheepskin Moonlight 17mm	VB2	Walnut	Stock item	35.00 kg	57.196	71.495
69113404	Sheepskin Sahara 17mm	VB2	Oak	Stock item	35.00 kg	57.196	71.495
69113403	Sheepskin Sahara 17mm	VB2	Walnut	Stock item	35.00 kg	57.196	71.495

Item no.	Upholstery	Model	Base	Lead time	Weight	PRICE EX. VAT (SEK)	PRICE INC. VAT (SEK)
Fabric gr. 2	Clay, Divina Melange, Fiord, Hallingdal, Loop, Ruskin, Steelcut, Steelcut Trio, Zero	VB2	Oak	6-8 weeks	35.00 kg	41.752	52.190
		VB2	Walnut	6-8 weeks	35.00 kg	41.752	52.190
Fabric gr. 3	Balder, Moss, Nimbus, Sisu, Skai Parotega Artificial leather*, Sunniva, Svevo, Vidar	VB2	Oak	6-8 weeks	35.00 kg	45.184	56.480
		VB2	Walnut	6-8 weeks	35.00 kg	45.184	56.480
Fabric gr. 4	Karakorum, Gentle, Serafino	VB2	Oak	6-8 weeks	35.00 kg	50.332	62.915
		VB2	Walnut	6-8 weeks	35.00 kg	50.332	62.915
Sheepskin MTO	Sheepskin 17mm	VB2	Oak	6-8 weeks	35.00 kg	62.916	78.645
		VB2	Walnut	6-8 weeks	35.00 kg	62.916	78.645
Fabric COM	COM Fabric	VB2	Oak	6-8 weeks	35.00 kg	41.752	52.190
		VB2	Walnut	6-8 weeks	35.00 kg	41.752	52.190

*Skai Parotega Artificial leather:
This product contains 0,1-0,2% C,C'-azodi (formamide), CAS no. 123-77-3.

Base	Finish
Solid Oak	Oiled Oak
Solid Walnut	Oiled Walnut

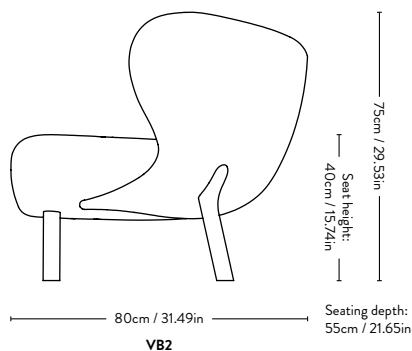
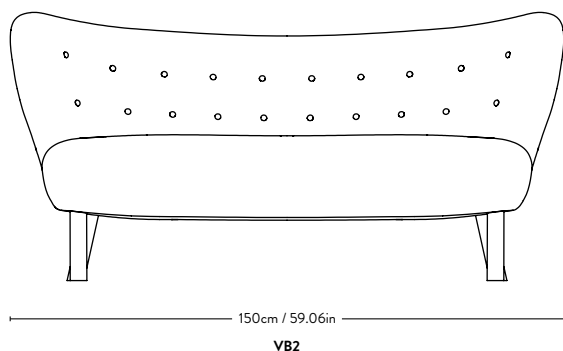
Material: Wood, HR foam, polyester wadding, fabric upholstery.

Fabric usage: 5.6 meters based on a 140cm roll.

COM must be approved by &Tradition to ensure suitability for upholstery.

Little Petra VB2 is not available in leather.

Felt gliders installed as standard.



Pouf^{ATD1} &Tradition 2020



Item no.	Upholstery	Model	Base	Colli qty.	Lead time	Weight	PRICE EX. VAT (SEK)	PRICE INC. VAT (SEK)
Fabric gr. 2	Clay, Divina Melange, Fiord, Hallingdal, Loop, Ruskin, Steelcut, Steelcut Trio, Zero	ATD1	Oak	1 pc	6-8 weeks	5.20 kg	8.580	10.725
		ATD1	Walnut	1 pc	6-8 weeks	5.20 kg	8.580	10.725
Fabric gr. 3	Balder, Moss, Nimbus, Sisu, Skai Parotega Artificial leather*, Sunniva, Svevo, Vidar	ATD1	Oak	1 pc	6-8 weeks	5.20 kg	8.924	11.155
		ATD1	Walnut	1 pc	6-8 weeks	5.20 kg	8.924	11.155
Fabric gr. 4	Karakorum, Gentle, Serafino	ATD1	Oak	1 pc	6-8 weeks	5.20 kg	9.152	11.440
		ATD1	Walnut	1 pc	6-8 weeks	5.20 kg	9.152	11.440
Sheepskin MTO	Sheepskin 17mm, Sheepskin 50mm	ATD1	Oak	1 pc	6-8 weeks	5.20 kg	12.012	15.015
		ATD1	Walnut	1 pc	6-8 weeks	5.20 kg	12.012	15.015
Fabric COM	COM Fabric	ATD1	Oak	1 pc	6-8 weeks	5.20 kg	8.580	10.725
		ATD1	Walnut	1 pc	6-8 weeks	5.20 kg	8.580	10.725

*Skai Parotega Artificial leather:

This product contains 0,1-0,2% C,C'-azodi (formamide), CAS no. 123-77-3.

Base Finish

Solid Oak Oiled Oak
Solid Walnut Oiled Walnut

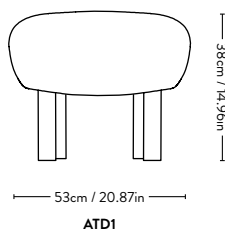
Material: Wood, HR foam, polyester wadding, fabric upholstery.

Fabric usage: 1.2 meter based on a 140cm roll.

COM must be approved by &Tradition to ensure suitability for upholstery.

Pouf ATD1 is not available in leather.

Felt gliders installed as standard.



Little Petra & Pouf VB1 & ATD1

Viggo Boesen 1938



Item no.	Upholstery	Model	Base	Lead time	Weight	PRICE EX. VAT (SEK)	PRICE INC. VAT (SEK)
69112910	Hallingdal 130	VB1 & ATD1	Oak	6-8 weeks	25.20 kg	31.456	39.320
69112911	Hallingdal 130	VB1 & ATD1	Walnut	6-8 weeks	25.20 kg	31.456	39.320
69112912	Karakorum 003	VB1 & ATD1	Oak	6-8 weeks	25.20 kg	37.748	47.185
69112913	Karakorum 003	VB1 & ATD1	Walnut	6-8 weeks	25.20 kg	37.748	47.185
69112914	Sheepskin, 17mm Moonlight	VB1 & ATD1	Oak	6-8 weeks	25.20 kg	50.904	63.630
69112915	Sheepskin, 17mm Moonlight	VB1 & ATD1	Walnut	6-8 weeks	25.20 kg	50.904	63.630
69112916	Sheepskin, 17mm Sahara	VB1 & ATD1	Oak	6-8 weeks	25.20 kg	50.904	63.630
69112917	Sheepskin, 17mm Sahara	VB1 & ATD1	Walnut	6-8 weeks	25.20 kg	50.904	63.630
69112918	Sheepskin, 50mm Honey	VB1 & ATD1	Oak	6-8 weeks	25.20 kg	50.904	63.630
69112919	Sheepskin, 50mm Honey	VB1 & ATD1	Walnut	6-8 weeks	25.20 kg	50.904	63.630

Item no.	Upholstery	Model	Base	Lead time	Weight	PRICE EX. VAT (SEK)	PRICE INC. VAT (SEK)
Fabric gr. 2	Clay, Divina Melange, Fiord, Hallingdal, Loop, Ruskin, Steelcut, Steelcut Trio, Zero	VB1 & ATD1	Oak	6-8 weeks	25.20 kg	33.744	42.180
		VB1 & ATD1	Walnut	6-8 weeks	25.20 kg		
Fabric gr. 3	Balder, Moss, Nimbus, Sisu, Skai Parotega Artificial leather*, Sunniva, Svevo, Vidar	VB1 & ATD1	Oak	6-8 weeks	25.20 kg	36.372	45.465
		VB1 & ATD1	Walnut	6-8 weeks	25.20 kg		
Fabric gr. 4	Karakorum, Gentle, Serafino	VB1 & ATD1	Oak	6-8 weeks	25.20 kg	42.324	52.905
		VB1 & ATD1	Walnut	6-8 weeks	25.20 kg		
Sheepskin MTO	Sheepskin 17mm, Sheepskin 50mm	VB1 & ATD1	Oak	6-8 weeks	25.20 kg	57.768	72.210
		VB1 & ATD1	Walnut	6-8 weeks	25.20 kg		
Fabric COM	COM Fabric	VB1 & ATD1	Oak	6-8 weeks	25.20 kg	33.744	42.180
		VB1 & ATD1	Walnut	6-8 weeks	25.20 kg		

*Skai Parotega Artificial leather:
This product contains 0,1-0,2% C,C'-azodi (formamide), CAS no. 123-77-3.

Base Finish

Solid Oak Oiled Oak
Solid Walnut Oiled Walnut

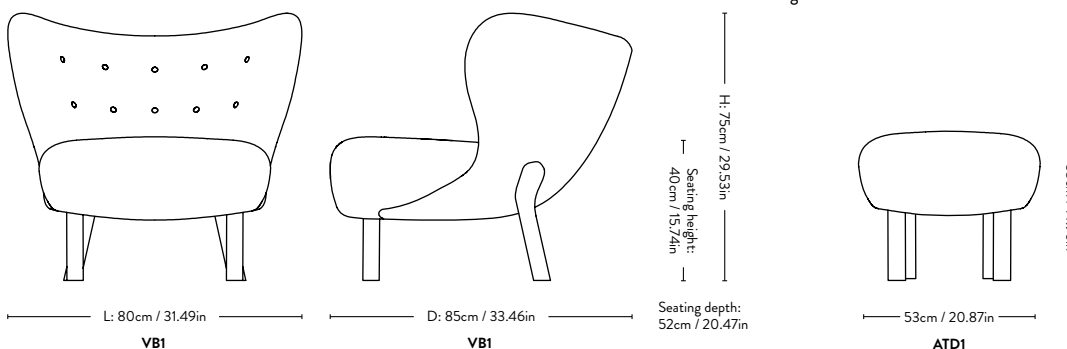
Material: Wood, HR foam, polyester wadding, fabric upholstery.

Fabric usage: 5 meters based on a 140cm roll.

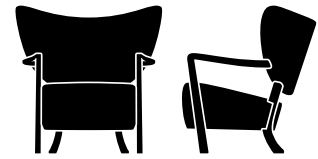
COM must be approved by &Tradition to ensure suitability for upholstery.

Little Petra VB1 & Pouf ATD1 are not available in leather.

Felt gliders installed as standard.



Wulff ATD2
&Tradition
 1938 / 2021



Item no.	Upholstery	Model	Base	Lead time	Weight	PRICE EX. VAT (SEK)	PRICE INC. VAT (SEK)
41103201	Hallingdal 376	ATD2	Oak	2-4 weeks	15.00 kg	24.020	30.025
41104201		ATD2	Walnut	2-4 weeks	15.00 kg	26.308	32.885
41103202	Karakorum 003	ATD2	Oak	2-4 weeks	15.00 kg	29.740	37.175
41104202		ATD2	Walnut	2-4 weeks	15.00 kg	32.028	40.035
41103204	Sheepskin 17mm, Moonlight	ATD2	Oak	2-4 weeks	15.00 kg	40.036	50.045
41104204		ATD2	Walnut	Stock item	15.00 kg	42.324	52.905
41103205	Sheepskin 50mm, Honey	ATD2	Oak	2-4 weeks	15.00 kg	40.036	50.045
41104205		ATD2	Walnut	2-4 weeks	15.00 kg	42.324	52.905

Item no.	Upholstery	Model	Base	Lead time	Weight	PRICE EX. VAT (SEK)	PRICE INC. VAT (SEK)
Fabric gr. 1	Canvas, Linara, Remix, Re-Wool	ATD2	Oak	6-8 weeks	15.00 kg	25.164	31.455
		ATD2	Walnut	6-8 weeks	15.00 kg	29.740	37.175
Fabric gr. 2	Clay, Divina Melange, Fiord, Hallingdal, Loop, Ritz, Ruskin, Steelcut, Steelcut Trio, Zero	ATD2	Oak	6-8 weeks	15.00 kg	26.308	32.885
		ATD2	Walnut	6-8 weeks	15.00 kg	30.884	38.605
Fabric gr. 3	Moss, Nimbus, Sisu, Skai Parotega Artificial leather*, Sunniva, Svevo, Vidar	ATD2	Oak	6-8 weeks	15.00 kg	28.596	35.745
		ATD2	Walnut	6-8 weeks	15.00 kg	33.172	41.465
Fabric gr. 4	Atlas, Gentle, Karakorum, Serafino	ATD2	Oak	6-8 weeks	15.00 kg	34.316	42.895
		ATD2	Walnut	6-8 weeks	15.00 kg	38.892	48.615
Sheepskin MTO	Sheepskin 17mm, Sheepskin 50mm	ATD2	Oak	6-8 weeks	15.00 kg	45.696	57.120
		ATD2	Walnut	6-8 weeks	15.00 kg	50.272	62.840
Fabric COM	COM Fabric	ATD2	Oak	6-8 weeks	15.00 kg	25.164	31.455
		ATD2	Walnut	6-8 weeks	15.00 kg	29.740	37.175

*Skai Parotega Artificial leather:
 This product contains 0,1-0,2 % C,C'-azodi (formamide), CAS no. 123-77-3.

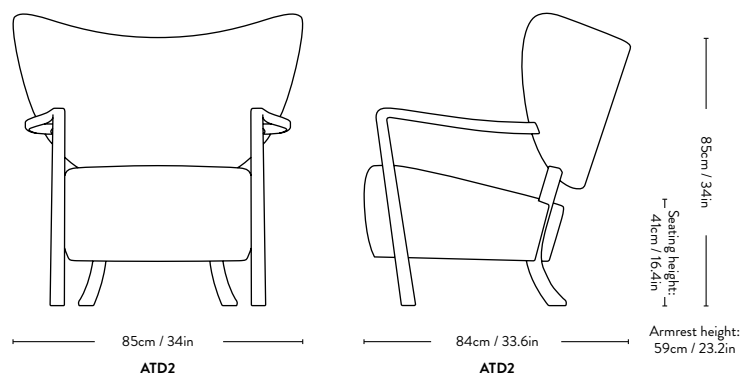
Material: Oiled wood, HR foam, polyester wadding, fabric upholstery.

Fabric usage: 2.5 meters based on a 140cm roll.

COM must be approved by &Tradition to ensure suitability for upholstery.

Wulff ATD2 is not available in leather.

Felt gliders installed as standard.



Wulff ^{ATD3} &Tradition 2022



	Upholstery	Model	Base	Lead time	Weight	PRICE EX. VAT (SEK)	PRICE INC. VAT (SEK)
Fabric gr. 1	Canvas, Remix, Re-Wool	ATD3	Oak	6-8 weeks	6.70 kg	10.292	12.865
		ATD3	Walnut	6-8 weeks	6.70 kg	10.864	13.580
Fabric gr. 2	Clay, Divina Melange, Fiord, Hallingdal, Loop, Ritz, Ruskin, Steelcut, Steelcut Trio, Zero	ATD3	Oak	6-8 weeks	6.70 kg	10.864	13.580
		ATD3	Walnut	6-8 weeks	6.70 kg	11.436	14.295
Fabric gr. 3	Moss, Nimbus, Sisu, Skai Parotega Artificial leather*, Sunniva, Svevo, Vidar	ATD3	Oak	6-8 weeks	6.70 kg	12.008	15.010
		ATD3	Walnut	6-8 weeks	6.70 kg	12.580	15.725
Fabric gr. 4	Atlas, Gentle, Karakorum, Serafino	ATD3	Oak	6-8 weeks	6.70 kg	13.724	17.155
		ATD3	Walnut	6-8 weeks	6.70 kg	14.296	17.870
Sheepskin MTO	Sheepskin 17mm, Sheepskin 50mm	ATD3	Oak	6-8 weeks	6.70 kg	15.440	19.300
		ATD3	Walnut	6-8 weeks	6.70 kg	16.012	20.015
Fabric COM	COM Fabric	ATD3	Oak	6-8 weeks	6.70 kg	10.292	12.865
		ATD3	Walnut	6-8 weeks	6.70 kg	10.864	13.580

*Skai Parotega Artificial leather:
This product contains 0,1-0,2% C,C'-azodi (formamide), CAS no. 123-77-3.

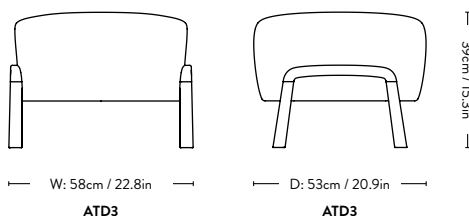
Material: Oiled wood, HR foam, polyester wadding, fabric upholstery.

Fabric usage: 1.3 meters based on a 140cm roll.

COM must be approved by &Tradition to ensure suitability for upholstery.

Wulff ATD3 is not available in leather.

Felt gliders installed as standard.



Wulff ATD2 & ATD3 &Tradition 2022



Item no.	Upholstery	Model	Base	Lead time	Weight	PRICE EX. VAT (SEK)	PRICE INC. VAT (SEK)
41105201	Hallingdal 376	ATD2 & ATD3	Oak	6-8 weeks	21.70 kg	31.456	39.320
41106201		ATD2 & ATD3	Walnut	6-8 weeks	21.70 kg	34.316	42.895
41105202	Karakorum 003	ATD2 & ATD3	Oak	6-8 weeks	21.70 kg	40.036	50.045
41106202		ATD2 & ATD3	Walnut	6-8 weeks	21.70 kg	42.896	53.620
41105204	Sheepskin Moonlight 17mm	ATD2 & ATD3	Oak	6-8 weeks	21.70 kg	52.048	65.060
41106204		ATD2 & ATD3	Walnut	6-8 weeks	21.70 kg	54.908	68.635
41105205	Sheepskin Honey 50mm	ATD2 & ATD3	Oak	6-8 weeks	21.70 kg	52.048	65.060
41106205		ATD2 & ATD3	Walnut	6-8 weeks	21.70 kg	54.908	68.635

	Upholstery	Model	Base	Lead time	Weight	PRICE EX. VAT (SEK)	PRICE INC. VAT (SEK)
Fabric gr. 1	Canvas, Remix, Re-Wool	ATD2 & ATD3	Oak	6-8 weeks	21.70 kg	32.028	40.035
		ATD2 & ATD3	Walnut	6-8 weeks	21.70 kg	37.176	46.470
Fabric gr. 2	Clay, Divina Melange, Fiord, Hallingdal, Loop, Ritz, Ruskin, Steelcut, Steelcut Trio, Zero	ATD2 & ATD3	Oak	6-8 weeks	21.70 kg	33.744	42.180
		ATD2 & ATD3	Walnut	6-8 weeks	21.70 kg	38.892	48.615
Fabric gr. 3	Moss, Nimbus, Sisu, Skai Parotega Artificial leather*, Sunniva, Svevo, Vidar	ATD2 & ATD3	Oak	6-8 weeks	21.70 kg	37.176	46.470
		ATD2 & ATD3	Walnut	6-8 weeks	21.70 kg	42.324	52.905
Fabric gr. 4	Atlas, Gentle, Karakorum, Serafino	ATD2 & ATD3	Oak	6-8 weeks	21.70 kg	44.612	55.765
		ATD2 & ATD3	Walnut	6-8 weeks	21.70 kg	49.760	62.200
Sheepskin MTO	Sheepskin 17mm, Sheepskin 50mm	ATD2 & ATD3	Oak	6-8 weeks	21.70 kg	57.708	72.135
		ATD2 & ATD3	Walnut	6-8 weeks	21.70 kg	62.856	78.570
Fabric COM	COM Fabric	ATD2 & ATD3	Oak	6-8 weeks	21.70 kg	32.028	40.035
		ATD2 & ATD3	Walnut	6-8 weeks	21.70 kg	37.176	46.470

*Skai Parotega Artificial leather:

This product contains 0,1-0,2% C,C'-azodi (formamide), CAS no. 123-77-3.

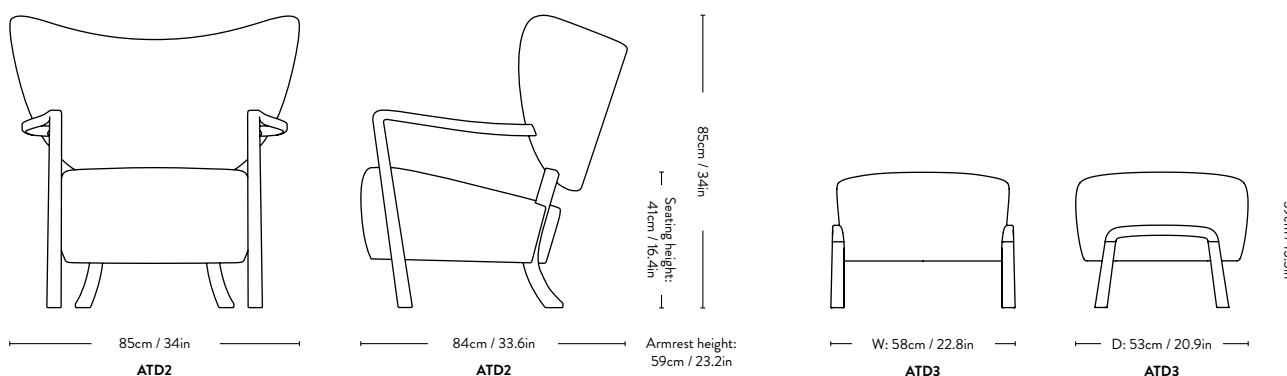
Material: Oiled wood, HR foam, polyester wadding, fabric upholstery.

Fabric usage: 3.8 meters based on a 140cm roll.

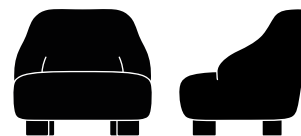
COM must be approved by &Tradition to ensure suitability for upholstery.

Wulff ATD2 & ATD3 are not available in leather.

Felt gliders installed as standard.



Margas LC1 Liljencrantz 2022



Item no.	Upholstery	Base	Model	Lead time	Weight	PRICE EX. VAT (SEK)	PRICE INC. VAT (SEK)
11500200	Zero 0011	Black Lacquered Oak	LC1	2-4 weeks	26.0 kg	19.444	24.305
11500400		Oiled Oak	LC1	2-4 weeks	26.0 kg	19.444	24.305
11500600		Oiled Walnut	LC1	2-4 weeks	26.0 kg	22.876	28.595
11500201	Svevo 002	Black Lacquered Oak	LC1	2-4 weeks	26.0 kg	21.732	27.165
11500401		Oiled Oak	LC1	2-4 weeks	26.0 kg	21.732	27.165
11500601		Oiled Walnut	LC1	2-4 weeks	26.0 kg	25.164	31.455
11500202	Karakorum 001	Black Lacquered Oak	LC1	2-4 weeks	26.0 kg	24.020	30.025
11500402		Oiled Oak	LC1	2-4 weeks	26.0 kg	24.020	30.025
11500602		Oiled Walnut	LC1	2-4 weeks	26.0 kg	27.452	34.315
11500203	Gentle 133	Black Lacquered Oak	LC1	2-4 weeks	26.0 kg	25.164	31.455
11500403		Oiled Oak	LC1	2-4 weeks	26.0 kg	25.164	31.455
11500603		Oiled Walnut	LC1	2-4 weeks	26.0 kg	28.596	35.745

	Upholstery	Base	Model	Lead time	Weight	PRICE EX. VAT (SEK)	PRICE INC. VAT (SEK)
Fabric gr. 1	Canvas, Linara, Remix, Re-Wool	Black Lacquered Oak	LC1	6-8 weeks	26.0 kg	19.444	24.305
		Oiled Oak	LC1	6-8 weeks	26.0 kg	19.444	24.305
		Oiled Walnut	LC1	6-8 weeks	26.0 kg	22.876	28.595
Fabric gr. 2	Clay, Divina Melange, Fiord, Hallingdal, Loop, Ruskin, Steelcut, Steelcut Trio, Zero	Black Lacquered Oak	LC1	6-8 weeks	26.0 kg	21.732	27.165
		Oiled Oak	LC1	6-8 weeks	26.0 kg	21.732	27.165
		Oiled Walnut	LC1	6-8 weeks	26.0 kg	25.164	31.455
Fabric gr. 3	Moss, Nimbus, Sisu, Sunniva, Svevo, Vidar	Black Lacquered Oak	LC1	6-8 weeks	26.0 kg	22.876	28.595
		Oiled Oak	LC1	6-8 weeks	26.0 kg	22.876	28.595
		Oiled Walnut	LC1	6-8 weeks	26.0 kg	26.308	32.885
Fabric gr. 4	Atlas, Gentle, Karakorum, Serafino	Black Lacquered Oak	LC1	6-8 weeks	26.0 kg	27.452	34.315
		Oiled Oak	LC1	6-8 weeks	26.0 kg	27.452	34.315
		Oiled Walnut	LC1	6-8 weeks	26.0 kg	30.884	38.605
COM Fabric	COM Fabric	Black Lacquered Oak	LC1	6-8 weeks	26.0 kg	19.444	24.305
		Oiled Oak	LC1	6-8 weeks	26.0 kg	19.444	24.305
		Oiled Walnut	LC1	6-8 weeks	26.0 kg	22.876	28.595

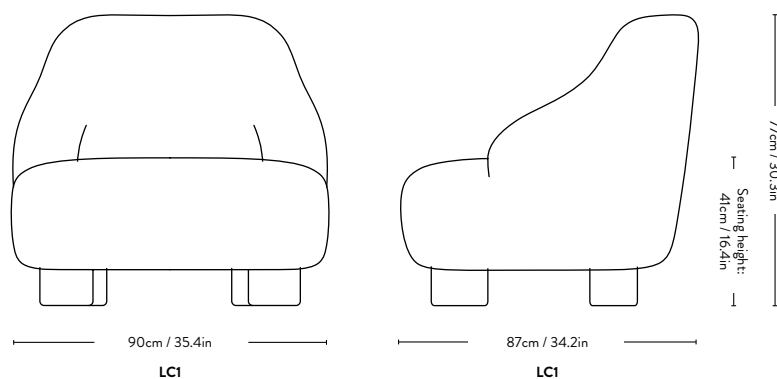
Material: Wood, HR foam, polyester wadding, fabric upholstery

Fabric usage: 2.8 meters based on a 140cm roll.

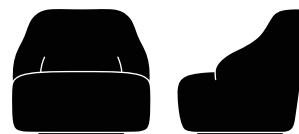
COM must be approved by &Tradition to ensure suitability for upholstery.

Margas LC1 is not available in leather.

Felt gliders installed as standard.



Margas LC2 Liljencrantz 2022



Item no.	Upholstery	Base	Model	Lead time	Weight	PRICE EX. VAT (SEK)	PRICE INC. VAT (SEK)
11550200	Zero 0011	Black Swivel	LC2	2-4 weeks	32.0 kg	19.444	24.305
11550201	Svevo 002	Black Swivel	LC2	2-4 weeks	32.0 kg	21.732	27.165
11550202	Karakorum 001	Black Swivel	LC2	2-4 weeks	32.0 kg	24.020	30.025
11550203	Gentle 133	Black Swivel	LC2	2-4 weeks	32.0 kg	25.164	31.455

	Upholstery	Base	Model	Lead time	Weight	PRICE EX. VAT (SEK)	PRICE INC. VAT (SEK)
Fabric gr. 1	Canvas, Linara, Remix, Re-Wool	Black Swivel	LC2	6-8 weeks	32.0 kg	19.444	24.305
Fabric gr. 2	Clay, Divina Melange, Fiord, Hallingdal, Loop, Ruskin, Steelcut, Steelcut Trio, Zero	Black Swivel	LC2	6-8 weeks	32.0 kg	21.732	27.165
Fabric gr. 3	Moss, Nimbus, Sisu, Sunniva, Svevo, Vidar	Black Swivel	LC2	6-8 weeks	32.0 kg	22.876	28.595
Fabric gr. 4	Atlas, Gentle, Karakorum, Serafino	Black Swivel	LC2	6-8 weeks	32.0 kg	27.452	34.315
COM Fabric	COM Fabric	Black Swivel	LC2	6-8 weeks	32.0 kg	19.444	24.305

Material: Wood, HR foam, polyester wadding, fabric upholstery.

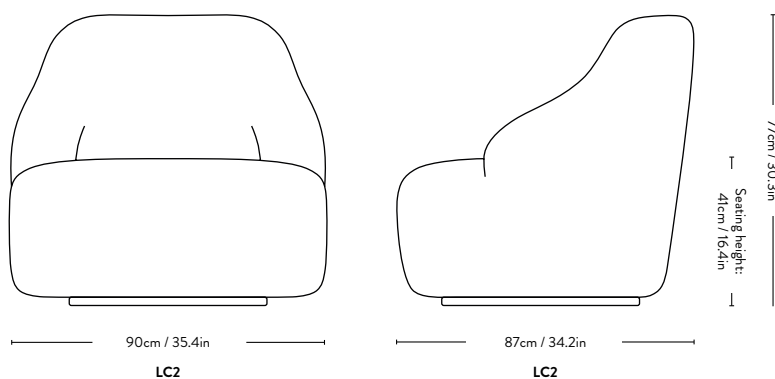
Fabric usage: 2.8 meters based on a 140cm roll.

COM must be approved by &Tradition to ensure suitability for upholstery.

Margas LC2 is not available in leather.

Felt gliders installed as standard.

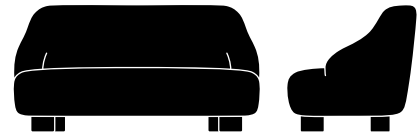
Swivel w. return function.



Margas LC3

Liljencrantz

2022



Item no.	Upholstery	Base	Model	Lead time	Weight	PRICE EX. VAT (SEK)	PRICE INC. VAT (SEK)
11600200	Zero 0011	Black Lacquered Oak	LC3	2-4 weeks	38.0 kg	27.452	34.315
11600400		Oiled Oak	LC3	2-4 weeks	38.0 kg	27.452	34.315
11600600		Oiled Walnut	LC3	2-4 weeks	38.0 kg	30.884	38.605
11600201	Svevo 002	Black Lacquered Oak	LC3	2-4 weeks	38.0 kg	30.884	38.605
11600401		Oiled Oak	LC3	2-4 weeks	38.0 kg	30.884	38.605
11600601		Oiled Walnut	LC3	2-4 weeks	38.0 kg	34.316	42.895
11600202	Karakorum 001	Black Lacquered Oak	LC3	2-4 weeks	38.0 kg	33.172	41.465
11600402		Oiled Oak	LC3	2-4 weeks	38.0 kg	33.172	41.465
11600602		Oiled Walnut	LC3	2-4 weeks	38.0 kg	36.604	45.755
11600203	Gentle 133	Black Lacquered Oak	LC3	2-4 weeks	38.0 kg	34.316	42.895
11600403		Oiled Oak	LC3	2-4 weeks	38.0 kg	34.316	42.895
11600603		Oiled Walnut	LC3	2-4 weeks	38.0 kg	37.748	47.185

	Upholstery	Base	Model	Lead time	Weight	PRICE EX. VAT (SEK)	PRICE INC. VAT (SEK)
Fabric gr. 1	Canvas, Linara, Remix, Re-Wool	Black Lacquered Oak	LC3	6-8 weeks	38.0 kg	26.308	32.885
		Oiled Oak	LC3	6-8 weeks	38.0 kg	26.308	32.885
		Oiled Walnut	LC3	6-8 weeks	38.0 kg	29.740	37.175
Fabric gr. 2	Clay, Divina Melange, Fiord, Hallingdal, Loop, Ruskin, Steelcut, Steelcut Trio, Zero	Black Lacquered Oak	LC3	6-8 weeks	38.0 kg	29.740	37.175
		Oiled Oak	LC3	6-8 weeks	38.0 kg	29.740	37.175
		Oiled Walnut	LC3	6-8 weeks	38.0 kg	33.172	41.465
Fabric gr. 3	Moss, Nimbus, Sisu, Sunniva, Svevo, Vidar	Black Lacquered Oak	LC3	6-8 weeks	38.0 kg	32.028	40.035
		Oiled Oak	LC3	6-8 weeks	38.0 kg	32.028	40.035
		Oiled Walnut	LC3	6-8 weeks	38.0 kg	35.460	44.325
Fabric gr. 4	Atlas, Gentle, Karakorum, Serafino	Black Lacquered Oak	LC3	6-8 weeks	38.0 kg	36.604	45.755
		Oiled Oak	LC3	6-8 weeks	38.0 kg	36.604	45.755
		Oiled Walnut	LC3	6-8 weeks	38.0 kg	40.036	50.045
COM Fabric	COM Fabric	Black Lacquered Oak	LC3	6-8 weeks	38.0 kg	26.308	32.885
		Oiled Oak	LC3	6-8 weeks	38.0 kg	26.308	32.885
		Oiled Walnut	LC3	6-8 weeks	38.0 kg	29.740	37.175

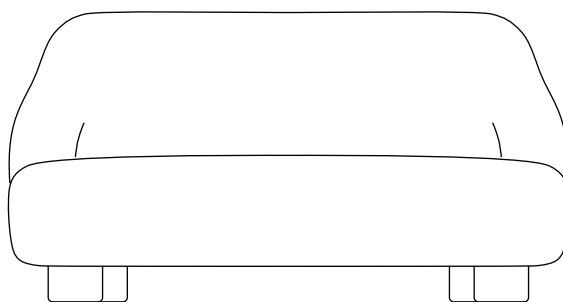
Material: Wood, HR foam, polyester wadding, fabric upholstery.

Fabric usage: 4.2 meters based on a 140cm roll.

COM must be approved by &Tradition to ensure suitability for upholstery.

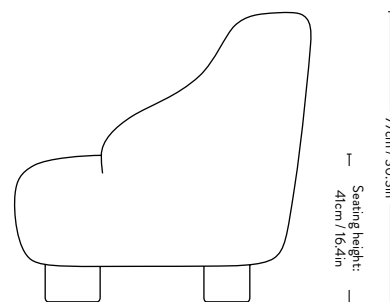
Margas LC3 is not available in leather.

Felt gliders installed as standard.



160cm / 62.9in

LC3



87cm / 34.2in

LC3

77cm / 30.3in
 Seating height:
 41cm / 16.4in

Loafer SC24

Space Copenhagen 2019



Price gr.	Upholstery	Model	Lead time	Weight	PRICE EX. VAT (SEK)	PRICE INC. VAT (SEK)
Fabric gr. 1	Canvas, Linara, Maple, Remix, Re-Wool	SC24	6-8 weeks	15.50 kg	12.008	15.010
Fabric gr. 2	Clay, Divina Melange, Duke, Fiord, Hallingdal, Loop, Ritz, Ruskin, Steelcut, Steelcut Trio, Zero	SC24	6-8 weeks	15.50 kg	13.152	16.440
Fabric gr. 3	Balder, Harald, Moss, Nimbus, Sisu, Skai Parotega Artificial leather*, Sunniva, Svevo, Vidar	SC24	6-8 weeks	15.50 kg	15.440	19.300
Fabric gr. 4	Atlas, Gentle, Karakorum, Serafino	SC24	6-8 weeks	15.50 kg	18.872	23.590
Leather	Noble Aniline leather	SC24	6-8 weeks	15.50 kg	23.448	29.310
Leather	Elmosoft Semi-aniline leather	SC24	6-8 weeks	15.50 kg	28.024	35.030
COM	COM Fabric	SC24	6-8 weeks	15.50 kg	12.008	15.010

*Skai Parotega Artificial leather:
This product contains 0,1-0,2 % C,C'-azodi (formamide), CAS no. 123-77-3.

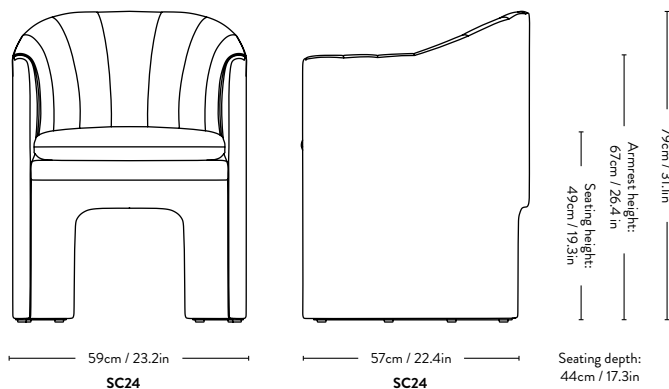
Material: Wood, HR foam, polyester wadding, fabric upholstery.

Fabric usage: 2.7 meters based on 140cm roll.

Leather usage: 6.4 square meters based on a yield of 60% pr hide.

COM must be approved by &Tradition to ensure suitability for upholstery.

Plastic gliders installed as standard.



Loafer SC23

Space Copenhagen 2018



Price gr.	Upholstery	Model	Lead time	Weight	PRICE EX. VAT (SEK)	PRICE INC. VAT (SEK)
Fabric gr. 1	Canvas, Linara, Maple, Remix, Re-Wool	SC23	6-8 weeks	26.00 kg	14.296	17.870
Fabric gr. 2	Clay, Divina Melange, Duke, Fiord, Hallingdal, Loop, Ritz, Ruskin, Steelcut, Steelcut Trio, Zero	SC23	6-8 weeks	26.00 kg	15.440	19.300
Fabric gr. 3	Balder, Harald, Moss, Nimbus, Sisu, Skai Parotega Artificial leather*, Sunniva, Svevo, Vidar	SC23	6-8 weeks	26.00 kg	17.728	22.160
Fabric gr. 4	Atlas, Gentle, Karakorum, Serafino	SC23	6-8 weeks	26.00 kg	21.160	26.450
Leather	Noble Aniline leather	SC23	6-8 weeks	26.00 kg	24.592	30.740
Leather	Elmosoft Semi-aniline leather	SC23	6-8 weeks	26.00 kg	29.168	36.460
Sheepskin MTO	Sheepskin 17mm	SC23	6-8 weeks	26.00 kg	34.888	43.610
COM	COM Fabric	SC23	6-8 weeks	26.00 kg	14.296	17.870

*Skai Parotega Artificial leather:
This product contains 0,1-0,2 % C,C'-azodi (formamide), CAS no. 123-77-3.

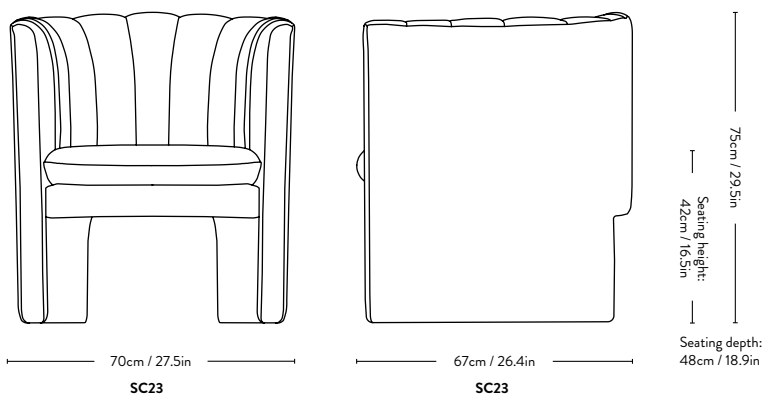
Material: Wood, HR foam, polyester wadding, fabric upholstery.

Fabric usage: 3.3 meters based on 140cm roll.

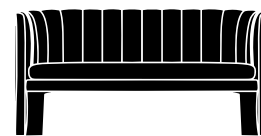
Leather usage: 7.7 square meters based on a yield of 60% pr hide.

COM must be approved by &Tradition to ensure suitability for upholstery.

Felt gliders installed as standard.



Loafer SC25

Space Copenhagen
2019

Price gr.	Upholstery	Model	Lead time	Weight	PRICE EX. VAT (SEK)	PRICE INC. VAT (SEK)
Fabric gr. 1	Canvas, Linara, Maple, Remix, Re-Wool	SC25	6-8 weeks	36.00 kg	29.740	37.175
Fabric gr. 2	Clay, Divina Melange, Duke, Fiord, Hallingdal, Loop, Ritz, Ruskin, Steelcut, Steelcut Trio, Zero	SC25	6-8 weeks	36.00 kg	33.172	41.465
Fabric gr. 3	Balder, Harald, Moss, Nimbus, Sisu, Skai Parotega Artificial leather*, Sunniva, Svevo, Vidar	SC25	6-8 weeks	36.00 kg	38.892	48.615
Fabric gr. 4	Atlas, Gentle, Karakorum, Serafino	SC25	6-8 weeks	36.00 kg	41.180	51.475
Leather	Noble Aniline leather	SC25	6-8 weeks	36.00 kg	44.612	55.765
Leather	Elmosoft Semi-aniline leather	SC25	6-8 weeks	36.00 kg	53.764	67.205
COM	COM Fabric	SC25	6-8 weeks	36.00 kg	29.740	37.175

*Skai Parotega Artificial leather:
This product contains 0,1-0,2 % C,C'-azodi (formamide), CAS no. 123-77-3.

Material: Wood, HR foam, polyester wadding, fabric upholstery.

Fabric usage: 5.8 meters based on 140cm roll.

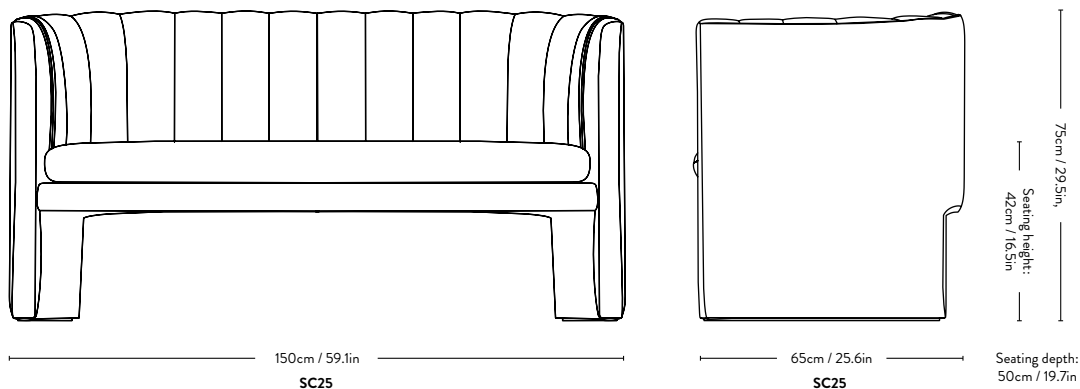
Leather usage: 11 square meters based on a yield of 60% pr hide.

COM must be approved by &Tradition to ensure suitability for upholstery.

Felt gliders installed as standard.

Customized sizes available upon request.

Extra height: 10% upcharge



Loafer SC26

Space Copenhagen 2019



Price gr.	Upholstery	Model	Lead time	Weight	PRICE EX. VAT (SEK)	PRICE INC. VAT (SEK)
Fabric gr. 1	Canvas, Linara, Maple, Remix, Re-Wool	SC26	6-8 weeks	45.00 kg	32.600	40.750
Fabric gr. 2	Clay, Divina Melange, Duke, Fiord, Hallingdal, Loop, Ritz, Ruskin, Steelcut, Steelcut Trio, Zero	SC26	6-8 weeks	45.00 kg	36.032	45.040
Fabric gr. 3	Balder, Harald, Moss, Nimbus, Sisu, Skai Parotega Artificial leather*, Sunniva, Svevo, Vidar	SC26	6-8 weeks	45.00 kg	41.752	52.190
Fabric gr. 4	Atlas, Gentle, Karakorum, Serafino	SC26	6-8 weeks	45.00 kg	44.040	55.050
Leather	Noble Aniline leather	SC26	6-8 weeks	45.00 kg	47.472	59.340
Leather	Elmosoft Semi-aniline leather	SC26	6-8 weeks	45.00 kg	56.964	71.205
COM	COM Fabric	SC26	6-8 weeks	45.00 kg	32.600	40.750

*Skai Parotega Artificial leather:
This product contains 0,1-0,2 % C,C'-azodi (formamide), CAS no. 123-77-3.

Material: Wood, HR foam, polyester wadding, fabric upholstery.

Fabric usage: 6.7 meters based on 140cm roll.

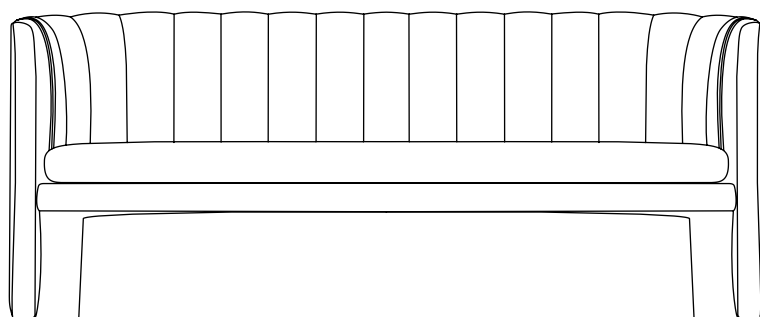
Leather usage: 12.7 square meters based on a yield of 60% pr hide.

COM must be approved by &Tradition to ensure suitability for upholstery.

Felt gliders installed as standard.

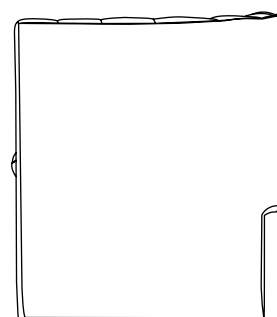
Customized sizes available upon request.

Extra height: 10% upcharge



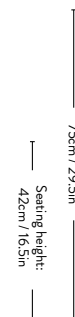
185cm / 72.8in

SC26



65cm / 25.6in

SC26



75cm / 29.5in

Seating height:
42cm / 16.5in

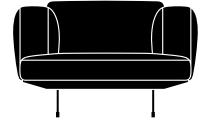
Seating depth:
50cm / 19.7in

NEW

Inland AV21

Anderssen & Voll

2023



Item no.	Upholstery	Base	Model	Lead time	Weight	PRICE EX. VAT (SEK)	PRICE INC. VAT (SEK)
12100301 12110301	Noble Aniline leather Black	Warm Black Polished aluminium	AV21	Stock item 6-8 weeks	48 kg	34.316 34.316	42.895 42.895
12100200 12110200	Maple 222	Warm Black Polished aluminium	AV21	6-8 weeks 6-8 weeks	48 kg	20.588 20.588	25.735 25.735
12100201 12110201	Hallingdal 130	Warm Black Polished aluminium	AV21	6-8 weeks 6-8 weeks	48 kg	22.876 22.876	28.595 28.595
12100202 12110202	Vidar 733	Warm Black Polished aluminium	AV21	6-8 weeks 6-8 weeks	48 kg	26.308 26.308	32.885 32.885
12100203 12110203	Clay 0011	Warm Black Polished aluminium	AV21	6-8 weeks 6-8 weeks	48 kg	22.876 22.876	28.595 28.595
12100204 12110204	Clay 0014	Warm Black Polished aluminium	AV21	6-8 weeks 6-8 weeks	48 kg	22.876 22.876	28.595 28.595
12100301 12110301	Noble Aniline leather Black	Warm Black Polished aluminium	AV21	6-8 weeks 6-8 weeks	48 kg	34.316 34.316	42.895 42.895

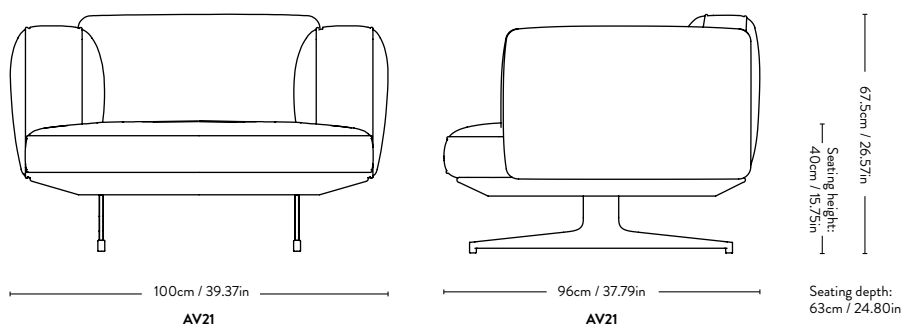
Price gr.	Upholstery	Base	Model	Lead time	Weight	PRICE EX. VAT (SEK)	PRICE INC. VAT (SEK)
Fabric gr. 1	Canvas, Linara, Maple, Remix, Re-Wool	Warm Black Polished aluminium	AV21	6-8 weeks 6-8 weeks	48 kg	20.588 20.588	25.735 25.735
Fabric gr. 2	Clay, Divina Melange, Duke, Fiord, Hallingdal, Loop, Ruskin, Steelcut, Steelcut Trio, Zero	Warm Black Polished aluminium	AV21	6-8 weeks 6-8 weeks	48 kg	22.876 22.876	28.595 28.595
Fabric gr. 3	Balder, Moss, Nimbus, Sisu, Sunniva, Svevo, Vidar	Warm Black Polished aluminium	AV21	6-8 weeks 6-8 weeks	48 kg	26.308 26.308	32.885 32.885
Fabric gr. 4	Atlas, Gentle, Karakorum, Serafino	Warm Black Polished aluminium	AV21	6-8 weeks 6-8 weeks	48 kg	34.316 34.316	42.895 42.895
Leather	Noble Aniline leather	Warm Black Polished aluminium	AV21	6-8 weeks 6-8 weeks	48 kg	34.316 34.316	42.895 42.895
Leather	Elmosoft Semi-aniline leather	Warm Black Polished aluminium	AV21	6-8 weeks 6-8 weeks	48 kg	36.604 36.604	45.755 45.755
COM	COM Fabric	Warm Black Polished aluminium	AV21	6-8 weeks 6-8 weeks	48 kg	20.588 20.588	25.735 25.735

Material: Wood, steel base, HR foam, polyester wadding, fabric upholstery.

Fabric usage: 5.6 meters based on 140cm roll.

Leather usage: 10.8 square meters based on a yield of 60% pr hide.

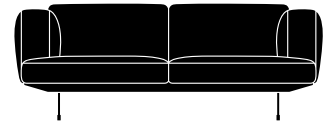
COM must be approved by &Tradition to ensure suitability for upholstery.
Felt gliders installed as standard.



Inland AV22

Anderssen & Voll

2022



Item no.	Upholstery	Base	Model	Lead time	Weight	PRICE EX. VAT (SEK)	PRICE INC. VAT (SEK)
12200300 12210300	Noble Aniline leather Cognac	Warm Black Polished aluminium NEW	AV22	Stock item 6-8 weeks	78.0 kg	45.756 45.756	57.195 57.195
12200200 12210200	Maple 222	Warm Black Polished aluminium NEW	AV22	6-8 weeks 6-8 weeks	78.0 kg	28.596 28.596	35.745 35.745
12200201 12210201	Hallingdal 130	Warm Black Polished aluminium NEW	AV22	6-8 weeks 6-8 weeks	78.0 kg	30.884 30.884	38.605 38.605
12200202 12210202	Vidar 733	Warm Black Polished aluminium NEW	AV22	6-8 weeks 6-8 weeks	78.0 kg	34.316 34.316	42.895 42.895
12200203 12210203	Clay 0011	Warm Black Polished aluminium NEW	AV22	6-8 weeks 6-8 weeks	78.0 kg	30.884 30.884	38.605 38.605
12200204 12210204	Clay 0014	Warm Black Polished aluminium NEW	AV22	6-8 weeks 6-8 weeks	78.0 kg	30.884 30.884	38.605 38.605
12200301 12210301	Noble Aniline leather Black	Warm Black Polished aluminium NEW	AV22	6-8 weeks 6-8 weeks	78.0 kg	45.756 45.756	57.195 57.195

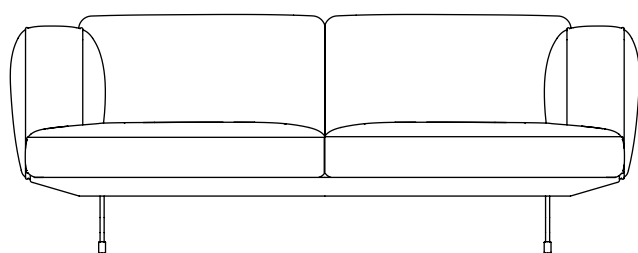
Price gr.	Upholstery	Base	Model	Lead time	Weight	PRICE EX. VAT (SEK)	PRICE INC. VAT (SEK)
Fabric gr. 1	Canvas, Linara, Maple, Remix, Re-Wool	Warm Black Polished aluminium NEW	AV22	6-8 weeks 6-8 weeks	78.0 kg	28.596 28.596	35.745 35.745
Fabric gr. 2	Clay, Divina Melange, Duke, Fiord, Hallingdal, Loop, Ruskin, Steelcut, Steelcut Trio, Zero	Warm Black Polished aluminium NEW	AV22	6-8 weeks 6-8 weeks	78.0 kg	30.884 30.884	38.605 38.605
Fabric gr. 3	Balder, Moss, Nimbus, Sisu, Sunniva, Svevo, Vidar	Warm Black Polished aluminium NEW	AV22	6-8 weeks 6-8 weeks	78.0 kg	34.316 34.316	42.895 42.895
Fabric gr. 4	Atlas, Gentle, Karakorum, Serafino	Warm Black Polished aluminium NEW	AV22	6-8 weeks 6-8 weeks	78.0 kg	43.468 43.468	54.335 54.335
Leather	Noble Aniline leather	Warm Black Polished aluminium NEW	AV22	6-8 weeks 6-8 weeks	78.0 kg	45.756 45.756	57.195 57.195
Leather	Elmosoft Semi-aniline leather	Warm Black Polished aluminium NEW	AV22	6-8 weeks 6-8 weeks	78.0 kg	51.476 51.476	64.345 64.345
COM	COM Fabric	Warm Black Polished aluminium NEW	AV22	6-8 weeks 6-8 weeks	78.0 kg	28.596 28.596	35.745 35.745

Material: Wood, steel base, HR foam, polyester wadding, fabric upholstery.

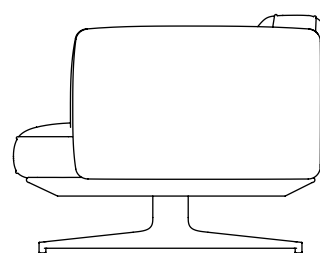
Fabric usage: 7.9 meters based on 140cm roll.

Leather usage: 19.8 square meters based on a yield of 60% pr hide.

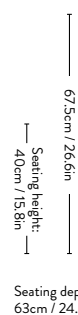
COM must be approved by &Tradition to ensure suitability for upholstery.
Felt gliders installed as standard.



179cm / 70.5in
AV22



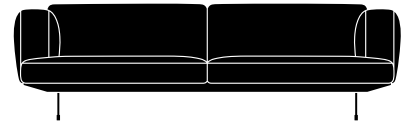
96cm / 37.6 in
AV22



Inland AV23

Anderssen & Voll

2022



Item no.	Upholstery	Base	Model	Lead time	Weight	PRICE EX. VAT (SEK)	PRICE INC. VAT (SEK)
12300300 12310300	Noble Aniline leather Cognac	Warm Black Polished aluminium NEW	AV23	Stock item 6-8 weeks	92.0 kg	51.476 51.476	64.345 64.345
12300200 12310200	Maple 222	Warm Black Polished aluminium NEW	AV23	6-8 weeks 6-8 weeks	92.0 kg	34.316 34.316	42.895 42.895
12300201 12310201	Hallingdal 130	Warm Black Polished aluminium NEW	AV23	6-8 weeks 6-8 weeks	92.0 kg	36.604 36.604	45.755 45.755
12300202 12310202	Vidar 733	Warm Black Polished aluminium NEW	AV23	6-8 weeks 6-8 weeks	92.0 kg	40.036 40.036	50.045 50.045
12300203 12310203	Clay 0011	Warm Black Polished aluminium NEW	AV23	6-8 weeks 6-8 weeks	92.0 kg	36.604 36.604	45.755 45.755
12300204 12310204	Clay 0014	Warm Black Polished aluminium NEW	AV23	6-8 weeks 6-8 weeks	92.0 kg	36.604 36.604	45.755 45.755
12300301 12310301	Noble Aniline leather Black	Warm Black Polished aluminium NEW	AV23	6-8 weeks 6-8 weeks	92.0 kg	51.476 51.476	64.345 64.345

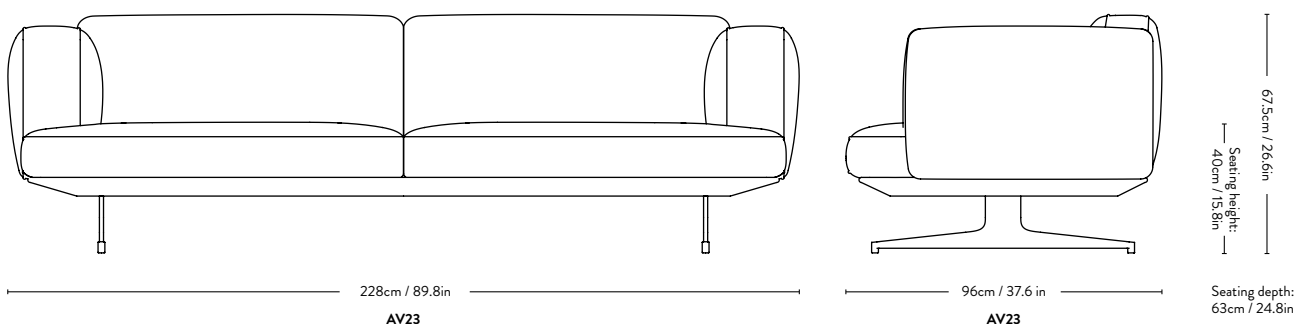
Price gr.	Upholstery	Base	Model	Lead time	Weight	PRICE EX. VAT (SEK)	PRICE INC. VAT (SEK)
Fabric gr. 1	Canvas, Linara, Maple, Remix, Re-Wool	Warm Black Polished aluminium NEW	AV23	6-8 weeks 6-8 weeks	92.0 kg	34.316 34.316	42.895 42.895
Fabric gr. 2	Clay, Divina Melange, Duke, Fiord, Hallingdal, Loop, Ruskin, Steelcut, Steelcut Trio, Zero	Warm Black Polished aluminium NEW	AV23	6-8 weeks 6-8 weeks	92.0 kg	36.604 36.604	45.755 45.755
Fabric gr. 3	Balder, Moss, Nimbus, Sisu, Sunniva, Svevo, Vidar	Warm Black Polished aluminium NEW	AV23	6-8 weeks 6-8 weeks	92.0 kg	40.036 40.036	50.045 50.045
Fabric gr. 4	Atlas, Gentle, Karakorum, Serafino	Warm Black Polished aluminium NEW	AV23	6-8 weeks 6-8 weeks	92.0 kg	51.476 51.476	64.345 64.345
Leather	Noble Aniline leather	Warm Black Polished aluminium NEW	AV23	6-8 weeks 6-8 weeks	92.0 kg	51.476 51.476	64.345 64.345
Leather	Elmosoft Semi-aniline leather	Warm Black Polished aluminium NEW	AV23	6-8 weeks 6-8 weeks	92.0 kg	57.200 57.200	71.500 71.500
COM	COM Fabric	Warm Black Polished aluminium NEW	AV23	6-8 weeks 6-8 weeks	92.0 kg	34.316 34.316	42.895 42.895

Material: Wood, steel base, HR foam, polyester wadding, fabric upholstery.

Fabric usage: 9.8 meters based on 140cm roll.

Leather usage: 25.3 square meters based on a yield of 60% pr hide.

COM must be approved by &Tradition to ensure suitability for upholstery.
Felt gliders installed as standard.



NEW

Inland AV32

Anderssen & Voll

2023



Item no.	Upholstery	Base	Model	Lead time	Weight	PRICE EX. VAT (SEK)	PRICE INC. VAT (SEK)
12400200 12410200	Maple 222	Warm Black Polished aluminium	AV32	6-8 weeks 6-8 weeks	29 kg	11.436 11.436	14.295 14.295
12400201 12410201	Hallingdal 130	Warm Black Polished aluminium	AV32	6-8 weeks 6-8 weeks	29 kg	13.724 13.724	17.155 17.155
12400202 12410202	Vidar 733	Warm Black Polished aluminium	AV32	6-8 weeks 6-8 weeks	29 kg	17.156 17.156	21.445 21.445
12400203 12410203	Clay 0011	Warm Black Polished aluminium	AV32	6-8 weeks 6-8 weeks	29 kg	13.724 13.724	17.155 17.155
12400204 12410204	Clay 0014	Warm Black Polished aluminium	AV32	6-8 weeks 6-8 weeks	29 kg	13.724 13.724	17.155 17.155
12400300 12410300	Noble Aniline leather Cognac	Warm Black Polished aluminium	AV32	6-8 weeks 6-8 weeks	29 kg	19.444 19.444	24.305 24.305
12400301 12410301	Noble Aniline leather Black	Warm Black Polished aluminium	AV32	6-8 weeks 6-8 weeks	29 kg	19.444 19.444	24.305 24.305

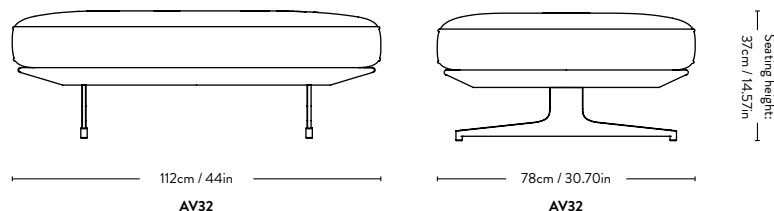
Price gr.	Upholstery	Base	Model	Lead time	Weight	PRICE EX. VAT (SEK)	PRICE INC. VAT (SEK)
Fabric gr. 1	Canvas, Linara, Maple, Remix, Re-Wool	Warm Black Polished aluminium	AV32	6-8 weeks 6-8 weeks	29 kg	11.436 11.436	14.295 14.295
Fabric gr. 2	Clay, Divina Melange, Duke, Fiord, Hallingdal, Loop, Ruskin, Steelcut, Steelcut Trio, Zero	Warm Black Polished aluminium	AV32	6-8 weeks 6-8 weeks	29 kg	13.724 13.724	17.155 17.155
Fabric gr. 3	Balder, Moss, Nimbus, Sisu, Sunniva, Svevo, Vidar	Warm Black Polished aluminium	AV32	6-8 weeks 6-8 weeks	29 kg	17.156 17.156	21.445 21.445
Fabric gr. 4	Atlas, Gentle, Karakorum, Serafino	Warm Black Polished aluminium	AV32	6-8 weeks 6-8 weeks	29 kg	20.588 20.588	25.735 25.735
Leather	Noble Aniline leather	Warm Black Polished aluminium	AV32	6-8 weeks 6-8 weeks	29 kg	19.444 19.444	24.305 24.305
Leather	Elmosoft Semi-aniline leather	Warm Black Polished aluminium	AV32	6-8 weeks 6-8 weeks	29 kg	21.732 21.732	27.165 27.165
COM	COM Fabric	Warm Black Polished aluminium	AV32	6-8 weeks 6-8 weeks	29 kg	11.436 11.436	14.295 14.295

Material: Wood, steel base, HR foam, polyester wadding, fabric upholstery.

Fabric usage: 3.3 meters based on 140cm roll.

Leather usage: 4.3 square meters based on a yield of 60% pr hide.

COM must be approved by &Tradition to ensure suitability for upholstery.
Felt gliders installed as standard.



Mayor ^{AJ5}



Arne Jacobsen & Flemming Lassen 1939



Item no.	Upholstery	Colli qty.	Model	Base	Lead time	Weight	PRICE EX. VAT (SEK)	PRICE INC. VAT (SEK)
65101012	Hallingdal 130	1 pc	AJ5	Oak	Stock item	45.00 kg	45.756	57.195

Price gr.	Upholstery	Model	Base	Lead time	Weight	PRICE EX. VAT (SEK)	PRICE INC. VAT (SEK)
Fabric gr. 1	Canvas, Linara, Remix, Re-Wool	AJ5	Oak	6-8 weeks	45.00 kg	42.324	52.905
		AJ5	Walnut	6-8 weeks	45.00 kg	48.044	60.055
Fabric gr. 2	Clay, Divina Melange, Duke, Fiord, Hallingdal, Loop, Maple, Ritz, Ruskin, Steelcut, Steelcut Trio, Zero	AJ5	Oak	6-8 weeks	45.00 kg	45.756	57.195
		AJ5	Walnut	6-8 weeks	45.00 kg	51.476	64.345
Fabric gr. 3	Balder, Harald, Moss, Nimbus, Sisu, Skai Parotega Artificial leather*, Sunniva, Svevo, Vidar	AJ5	Oak	6-8 weeks	45.00 kg	49.188	61.485
		AJ5	Walnut	6-8 weeks	45.00 kg	54.908	68.635
Fabric gr. 4	Atlas, Gentle, Karakorum, Serafino	AJ5	Oak	6-8 weeks	45.00 kg	57.196	71.495
		AJ5	Walnut	6-8 weeks	45.00 kg	62.916	78.645
Leather	Noble Aniline leather	AJ5	Oak	6-8 weeks	45.00 kg	68.636	85.795
		AJ5	Walnut	6-8 weeks	45.00 kg	74.356	92.945
Leather	Elmosoft Semi-aniline leather	AJ5	Oak	6-8 weeks	45.00 kg	82.364	102.955
		AJ5	Walnut	6-8 weeks	45.00 kg	88.084	110.105
Sheepskin	Sheepskin 17mm (Moonlight & Sahara)	AJ5	Oak	6-8 weeks	45.00 kg	82.364	102.955
		AJ5	Walnut	6-8 weeks	45.00 kg	88.084	110.105
Fabric COM	COM Fabric	AJ5	Oak	6-8 weeks	45.00 kg	42.324	52.905
		AJ5	Walnut	6-8 weeks	45.00 kg	48.044	60.055

Item no.	Add on	Lead time	Weight	PRICE EX. VAT (SEK)	PRICE INC. VAT (SEK)
101015	Mayor high legs - legs providing a seating height of 47cm. *must be specified with the order	6-8 weeks	0.10 kg	2.856	3.570
101016	Piping & buttons in Noble Aniline leather. *must be specified with the order	6-8 weeks		6.288	7.860

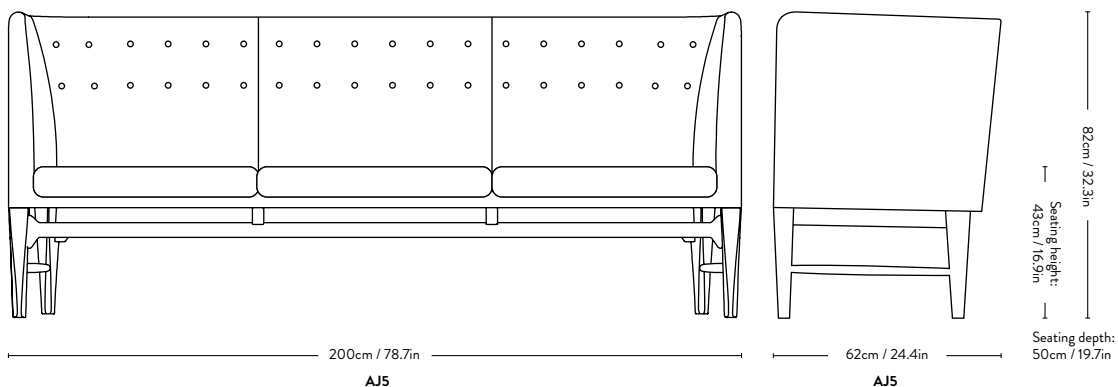
*Skai Parotega Artificial leather:
This product contains 0,1-0,2% C,C⁻-azodi (formamide), CAS no. 123-77-3.

Material: Solid oak or walnut base, solid beech frame, elastic belts and HR foam.
Fabric or leather upholstery.

COM must be approved by &Tradition to ensure suitability for upholstery.
Felt gliders installed as standard.

Base	Finish
Solid Oak	Oiled Oak, Smoked Oiled Oak, Black Lacquered Oak
Solid Walnut	Oiled Walnut

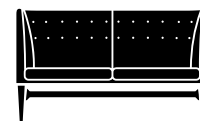
Fabric usage: 6.5 meters based on 140cm roll.
Leather usage: 12 square meters based on a yield of 60% pr hide.



Mayor ^{AJ6}



Arne Jacobsen & Flemming Lassen 1939



Price gr.	Upholstery	Model	Base	Lead time	Weight	PRICE EX. VAT (SEK)	PRICE INC. VAT (SEK)
Fabric gr. 1	Canvas, Linara, Remix, Re-Wool	AJ6	Oak	6-8 weeks	38.00 kg	37.748	47.185
		AJ6	Walnut	6-8 weeks	38.00 kg	42.324	52.905
Fabric gr. 2	Clay, Divina Melange, Duke, Fiord, Hallingdal, Loop, Maple, Ritz, Ruskin, Steelcut, Steelcut Trio, Zero	AJ6	Oak	6-8 weeks	38.00 kg	41.180	51.475
		AJ6	Walnut	6-8 weeks	38.00 kg	45.756	57.195
Fabric gr. 3	Balder, Harald, Moss, Nimbus, Sisu, Skai Parotega Artificial leather*, Sunniva, Svevo, Vidar	AJ6	Oak	6-8 weeks	38.00 kg	44.612	55.765
		AJ6	Walnut	6-8 weeks	38.00 kg	49.188	61.485
Fabric gr. 4	Atlas, Gentle, Karakorum, Serafino	AJ6	Oak	6-8 weeks	38.00 kg	50.332	62.915
		AJ6	Walnut	6-8 weeks	38.00 kg	54.908	68.635
Leather	Noble Aniline leather	AJ6	Oak	6-8 weeks	38.00 kg	58.340	72.925
		AJ6	Walnut	6-8 weeks	38.00 kg	62.916	78.645
Leather	Elmosoft Semi-aniline leather	AJ6	Oak	6-8 weeks	38.00 kg	70.924	88.655
		AJ6	Walnut	6-8 weeks	38.00 kg	75.500	94.375
Sheepskin	Sheepskin 17mm (Moonlight & Sahara)	AJ6	Oak	6-8 weeks	38.00 kg	70.924	88.655
		AJ6	Walnut	6-8 weeks	38.00 kg	75.500	94.375
Fabric COM	COM Fabric	AJ6	Oak	6-8 weeks	38.00 kg	37.748	47.185
		AJ6	Walnut	6-8 weeks	38.00 kg	42.324	52.905

Item no.	Add on	Lead time	Weight	PRICE EX. VAT (SEK)	PRICE INC. VAT (SEK)
101015	Mayor high legs - legs providing a seating height of 47cm. *must be specified with the order	6-8 weeks	0.10 kg	2.856	3.570
101016	Piping & buttons in Noble Aniline leather. *must be specified with the order	6-8 weeks		6.288	7.860

*Skai Parotega Artificial leather:

This product contains 0,1-0,2 % C,C'-azodi (formamide), CAS no. 123-77-3.

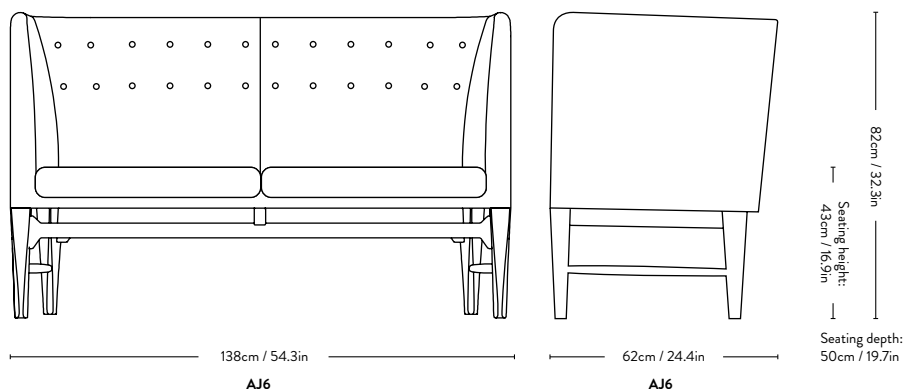
Material: Solid oak or walnut base, solid beech frame, elastic belts and HR foam. Fabric or leather upholstery.

COM must be approved by &Tradition to ensure suitability for upholstery. Felt gliders installed as standard.

Fabric usage: 5 meters based on 140cm roll.

Leather usage: 10 square meters based on a yield of 60% pr hide.

Base	Finish
Solid Oak	Oiled Oak, Smoked Oiled Oak, Black Lacquered Oak
Solid Walnut	Oiled Walnut



Cloud LN1

Luca Nichetto

2015



Price gr.	Upholstery	Model	Base	Lead time	Weight	PRICE EX. VAT (SEK)	PRICE INC. VAT (SEK)
Fabric gr. 1	Canvas, Linara, Maple, Remix, Re-Wool	LN1	Warm Black or Chrome	6-8 weeks	40.00 kg	24.020	30.025
Fabric gr. 2	Clay, Divina Melange, Duke, Fiord, Hallingdal, Loop, Ritz, Ruskin, Steelcut, Steelcut Trio, Zero	LN1	Warm Black or Chrome	6-8 weeks	40.00 kg	27.452	34.315
Fabric gr. 3	Balder, Moss, Nimbus, Sisu, Skai Parotega Artificial leather*, Sunniva, Svevo, Vidar	LN1	Warm Black or Chrome	6-8 weeks	40.00 kg	29.740	37.175
Fabric gr. 4	Atlas, Gentle, Karakorum, Serafino	LN1	Warm Black or Chrome	6-8 weeks	40.00 kg	36.604	45.755
Leather	Noble Aniline leather	LN1	Warm Black or Chrome	6-8 weeks	40.00 kg	44.612	55.765
Leather	Elmosoft Semi-aniline leather	LN1	Warm Black or Chrome	6-8 weeks	40.00 kg	53.764	67.205
Fabric COM	COM Fabric	LN1	Warm Black or Chrome	6-8 weeks	40.00 kg	24.020	30.025

*Skai Parotega Artificial leather:
This product contains 0,1-0,2 % C,C'-azodi (formamide), CAS no. 123-77-3.

Legs	Finish
Solid Steel tube	Powder Coated Warm Black (RAL 8022) Chrome

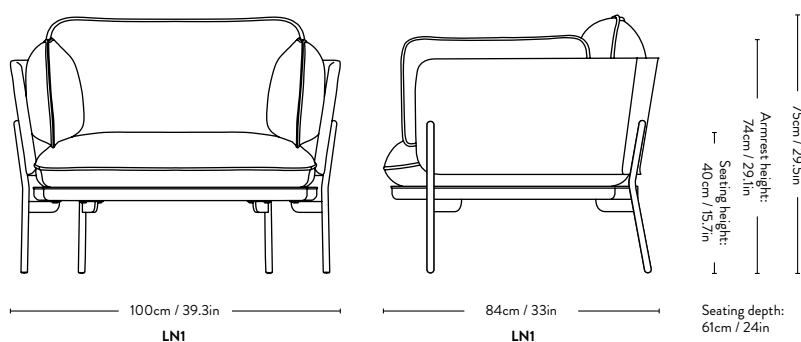
Material: Plywood, solid wood and steel base with no-zag springs. HR foam, polyester fibers and feather pillows. Solid steel legs. Fabric or leather upholstery.

Fabric usage: 6 meters based on 140cm roll.

Leather usage: 14 square meters based on a yield of 60% pr hide.

COM must be approved by &Tradition to ensure suitability for upholstery.

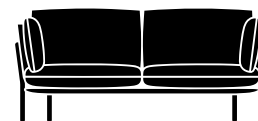
Felt gliders installed as standard.



Cloud LN2

Luca Nichetto

2015



Price gr.	Upholstery	Model	Base	Lead time	Weight	PRICE EX. VAT (SEK)	PRICE INC. VAT (SEK)
Fabric gr. 1	Canvas, Linara, Maple, Remix, Re-Wool	LN2	Warm Black or Chrome	6-8 weeks	57.00 kg	32.028	40.035
Fabric gr. 2	Clay, Divina Melange, Duke, Fiord, Hallingdal, Loop, Ritz, Ruskin, Steelcut, Steelcut Trio, Zero	LN2	Warm Black or Chrome	6-8 weeks	57.00 kg	36.604	45.755
Fabric gr. 3	Balder, Moss, Nimbus, Sisu, Skai Parotega Artificial leather*, Sunniva, Svevo, Vidar	LN2	Warm Black or Chrome	6-8 weeks	57.00 kg	38.892	48.615
Fabric gr. 4	Atlas, Gentle, Karakorum, Serafino	LN2	Warm Black or Chrome	6-8 weeks	57.00 kg	52.048	65.060
Leather	Noble Aniline leather	LN2	Warm Black or Chrome	6-8 weeks	57.00 kg	60.056	75.070
Leather	Elmosoft Semi-aniline leather	LN2	Warm Black or Chrome	6-8 weeks	57.00 kg	72.068	90.085
Fabric COM	COM Fabric	LN2	Warm Black or Chrome	6-8 weeks	57.00 kg	32.028	40.035

*Skai Parotega Artificial leather:
This product contains 0,1-0,2 % C,C'-azodi (formamide), CAS no. 123-77-3.

Legs	Finish
Solid Steel tube	Powder Coated Warm Black (RAL 8022) Chrome

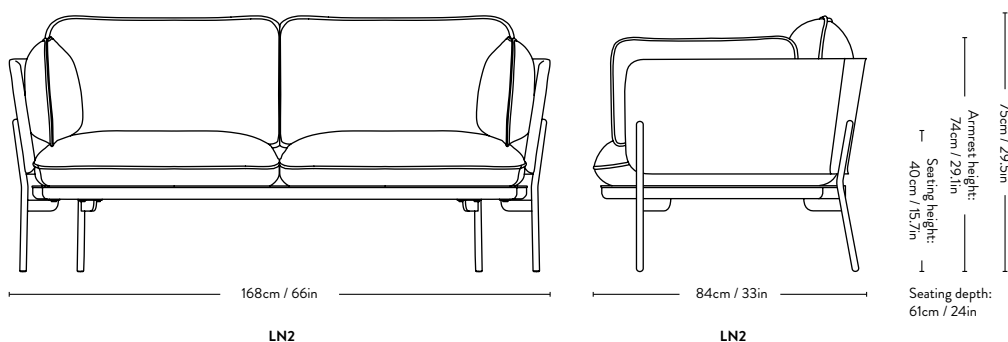
Material: Plywood, solid wood and steel base with no-zag springs. HR foam, polyester fibers and feather pillows. Solid steel legs. Fabric or leather upholstery.

Fabric usage: 8 meters based on 140cm roll.

Leather usage: 19 square meters based on a yield of 60% pr hide.

COM must be approved by &Tradition to ensure suitability for upholstery.

Felt gliders installed as standard.



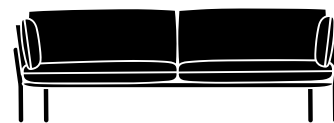
LN2

LN2

Cloud LN3.2

Luca Nichetto

2015



Price gr.	Upholstery	Model	Base	Lead time	Weight	PRICE EX. VAT (SEK)	PRICE INC. VAT (SEK)
Fabric gr. 1	Canvas, Linara, Maple, Remix, Re-Wool	LN3.2	Warm Black or Chrome	6-8 weeks	69.00 kg	38.320	47.900
Fabric gr. 2	Clay, Divina Melange, Duke, Fiord, Hallingdal, Loop, Ritz, Ruskin, Steelcut, Steelcut Trio, Zero	LN3.2	Warm Black or Chrome	6-8 weeks	69.00 kg	43.468	54.335
Fabric gr. 3	Balder, Moss, Nimbus, Sisu, Skai Parotega Artificial leather*, Sunniva, Svevo, Vidar	LN3.2	Warm Black or Chrome	6-8 weeks	69.00 kg	47.472	59.340
Fabric gr. 4	Atlas, Gentle, Karakorum, Serafino	LN3.2	Warm Black or Chrome	6-8 weeks	69.00 kg	62.916	78.645
Leather	Noble Aniline leather	LN3.2	Warm Black or Chrome	6-8 weeks	69.00 kg	66.348	82.935
Leather	Elmosoft Semi-aniline leather	LN3.2	Warm Black or Chrome	6-8 weeks	69.00 kg	80.076	100.095
Fabric COM	COM Fabric	LN3.2	Warm Black or Chrome	6-8 weeks	69.00 kg	38.320	47.900

*Skai Parotega Artificial leather:
This product contains 0,1-0,2% C,C'-azodi (formamide), CAS no. 123-77-3.

Legs	Finish
Solid	Powder Coated Warm Black (RAL 8022)
Steel tube	Chrome

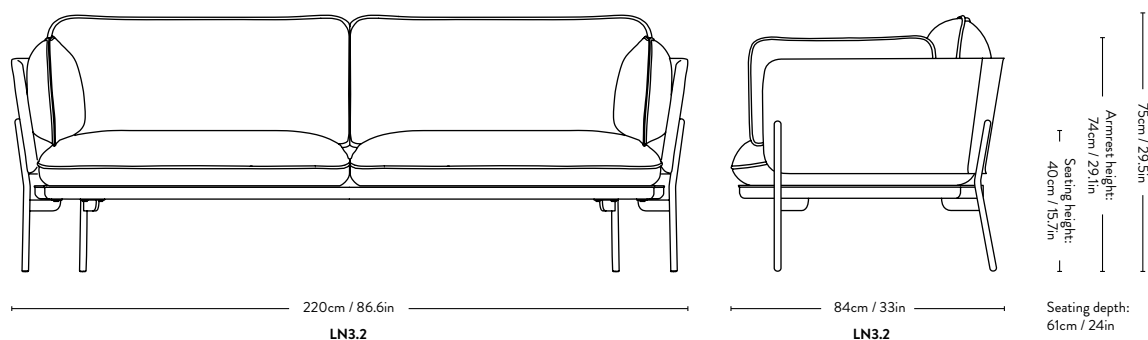
Material: Plywood, solid wood and steel base with no-zag springs. HR foam, polyester fibers and feather pillows. Solid steel legs. Fabric or leather upholstery.

Fabric usage: 11 meters based on 140cm roll.

Leather usage: 21 square meters based on a yield of 60% pr hide.

COM must be approved by &Tradition to ensure suitability for upholstery.

Felt gliders installed as standard.



Cloud LN5

Luca Nichetto

2018



Price gr.	Upholstery	Model	Base	Lead time	Weight	PRICE EX. VAT (SEK)	PRICE INC. VAT (SEK)
Fabric gr. 1	Canvas, Linara, Maple, Remix, Re-Wool	LN5	Warm Black or Chrome	6-8 weeks	50.00 kg	32.028	40.035
Fabric gr. 2	Clay, Divina Melange, Duke, Fiord, Hallingdal, Loop, Ritz, Ruskin, Steelcut, Steelcut Trio, Zero	LN5	Warm Black or Chrome	6-8 weeks	50.00 kg	37.748	47.185
Fabric gr. 3	Balder, Moss, Nimbus, Sisu, Skai Parotega Artificial leather*, Sunniva, Svevo, Vidar	LN5	Warm Black or Chrome	6-8 weeks	50.00 kg	42.324	52.905
Fabric gr. 4	Atlas, Gentle, Karakorum, Serafino	LN5	Warm Black or Chrome	6-8 weeks	50.00 kg	62.916	78.645
Leather	Noble Aniline leather	LN5	Warm Black or Chrome	6-8 weeks	50.00 kg	52.620	65.775
Fabric COM	COM Fabric	LN5	Warm Black or Chrome	6-8 weeks	50.00 kg	32.028	40.035

Item no.	Add on	Lead time	PRICE EX. VAT (SEK)	PRICE INC. VAT (SEK)
30310002	Power outlet incl bracket (Schuko plug) *must be specified with the order	6-8 weeks	2.856	3.570

*Skai Parotega Artificial leather:
This product contains 0,1-0,2% C,C'-azodi (formamide), CAS no. 123-77-3.

Legs	Finish
Solid	Powder Coated Warm Black (RAL 8022)
Steel tube	Chrome

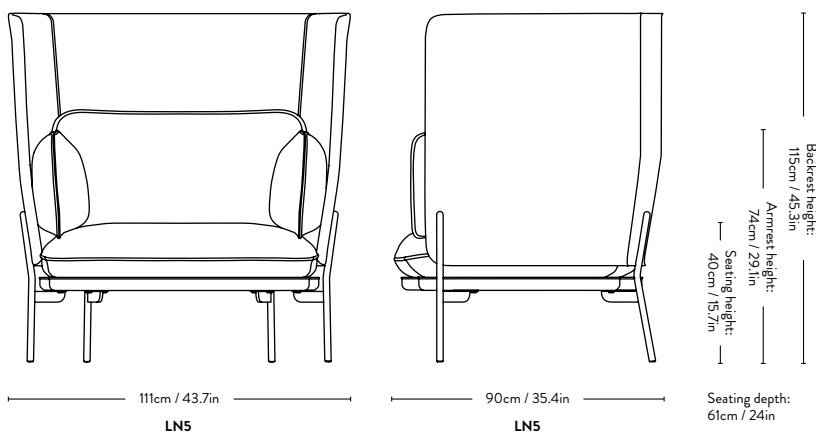
Material: Plywood, solid wood and steel base with no-zag springs. HR foam, polyester fibers and feather pillows. Solid steel legs. Fabric or leather upholstery.

Fabric usage: 12 meters based on 140cm roll.

COM must be approved by &Tradition to ensure suitability for upholstery.

Cloud LN5 is not available in COL leather.

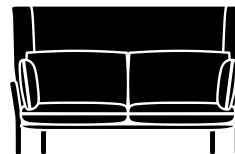
Felt gliders installed as standard.



Cloud LN6

Luca Nichetto

2017



Price gr.	Upholstery	Model	Base	Lead time	Weight	PRICE EX. VAT (SEK)	PRICE INC. VAT (SEK)
Fabric gr. 1	Canvas, Linara, Maple, Remix, Re-Wool	LN6	Warm Black or Chrome	6-8 weeks	71.00 kg	41.180	51.475
Fabric gr. 2	Clay, Divina Melange, Duke, Fiord, Hallingdal, Loop, Ritz, Ruskin, Steelcut, Steelcut Trio, Zero	LN6	Warm Black or Chrome	6-8 weeks	71.00 kg	46.900	58.625
Fabric gr. 3	Balder, Moss, Nimbus, Sisu, Skai Parotega Artificial leather*, Sunniva, Svevo, Vidar	LN6	Warm Black or Chrome	6-8 weeks	71.00 kg	52.620	65.775
Fabric gr. 4	Atlas, Gentle, Karakorum, Serafino	LN6	Warm Black or Chrome	6-8 weeks	71.00 kg	75.500	94.375
Leather	Noble Aniline leather	LN6	Warm Black or Chrome	6-8 weeks	71.00 kg	65.204	81.505
Fabric COM	COM Fabric	LN6	Warm Black or Chrome	6-8 weeks	71.00 kg	41.180	51.475

Item no.	Add on	Lead time	PRICE EX. VAT (SEK)	PRICE INC. VAT (SEK)
30310002	Power outlet incl bracket (Schuko plug) *must be specified with the order	6-8 weeks	2.856	3.570

*Skai Parotega Artificial leather:
This product contains 0,1-0,2% C,C'-azodi (formamide), CAS no. 123-77-3.

Legs	Finish
Solid	Powder Coated Warm Black (RAL 8022)
Steel tube	Chrome

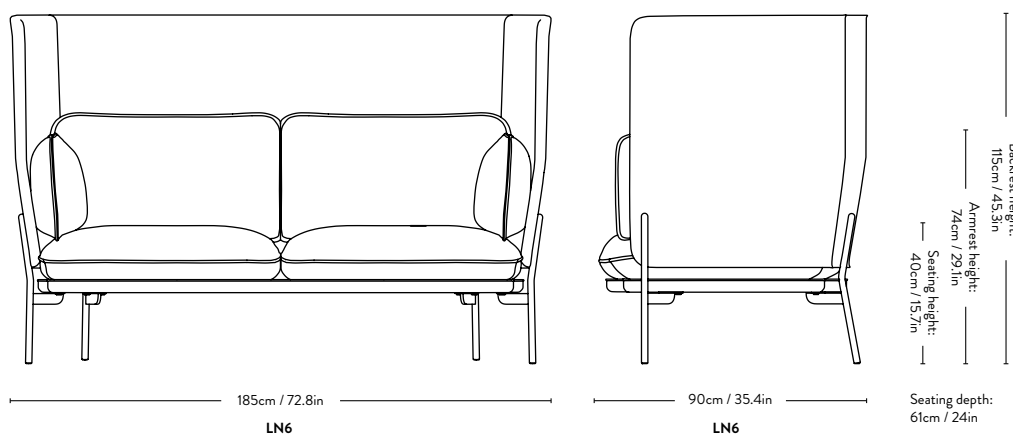
Material: Plywood, solid wood and steel base with no-zag springs. HR foam, polyester fibers and feather pillows. Solid steel legs. Fabric or leather upholstery.

Fabric usage: 17 meters based on 140cm roll.

COM must be approved by &Tradition to ensure suitability for upholstery.

Cloud LN6 is not available in COL leather.

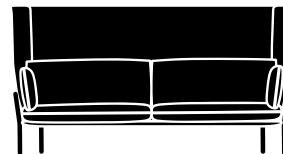
Felt gliders installed as standard.



Cloud LN7

Luca Nichetto

2017



Price gr.	Upholstery	Model	Base	Lead time	Weight	PRICE EX. VAT (SEK)	PRICE INC. VAT (SEK)
Fabric gr. 1	Canvas, Linara, Maple, Remix, Re-Wool	LN7	Warm Black or Chrome	6-8 weeks	85.00 kg	46.900	58.625
Fabric gr. 2	Clay, Divina Melange, Duke, Fiord, Hallingdal, Loop, Ritz, Ruskin, Steelcut, Steelcut Trio, Zero	LN7	Warm Black or Chrome	6-8 weeks	85.00 kg	53.764	67.205
Fabric gr. 3	Balder, Moss, Nimbus, Sisu, Skai Parotega Artificial leather*, Sunniva, Svevo, Vidar	LN7	Warm Black or Chrome	6-8 weeks	85.00 kg	61.772	77.215
Fabric gr. 4	Atlas, Gentle, Karakorum, Serafino	LN7	Warm Black or Chrome	6-8 weeks	85.00 kg	91.516	114.395
Leather	Noble Aniline leather	LN7	Warm Black or Chrome	6-8 weeks	85.00 kg	76.644	95.805
Fabric COM	COM Fabric	LN7	Warm Black or Chrome	6-8 weeks	85.00 kg	46.900	58.625

Item no.	Add on	Lead time	PRICE EX. VAT (SEK)	PRICE INC. VAT (SEK)
30310002	Power outlet incl bracket (Schuko plug) *must be specified with the order	6-8 weeks	2.856	3.570

*Skai Parotega Artificial leather:
This product contains 0,1-0,2 % C,C'-azodi (formamide), CAS no. 123-77-3.

Legs	Finish
Solid	Powder Coated Warm Black (RAL 8022)
Steel tube	Chrome

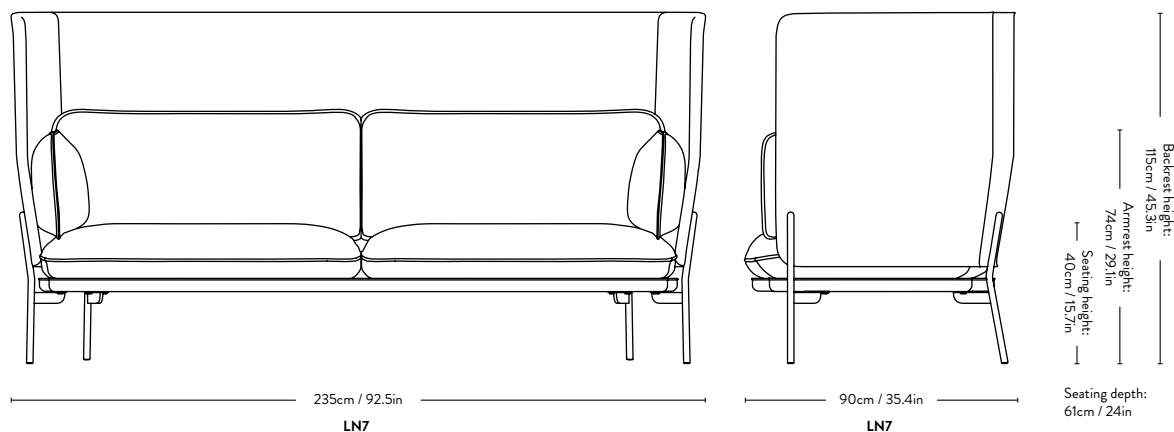
Material: Plywood, solid wood and steel base with no-zag springs. HR foam, polyester fibers and feather pillows. Solid steel legs. Fabric or leather upholstery.

Fabric usage: 18 meters based on 140cm roll.

COM must be approved by &Tradition to ensure suitability for upholstery.

Cloud LN7 is not available in COL leather.

Felt gliders installed as standard.



Develius EV1-EV7

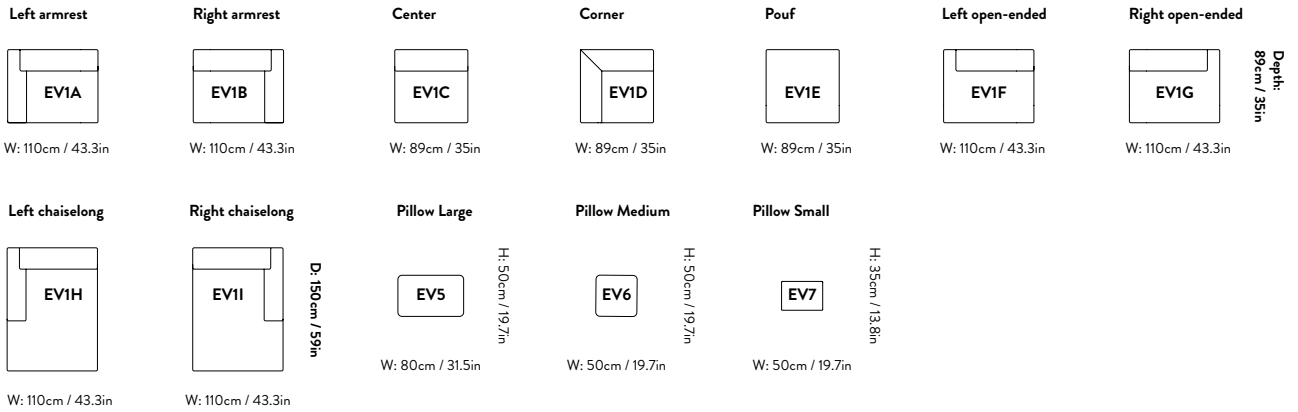
Edward van Vliet

2018



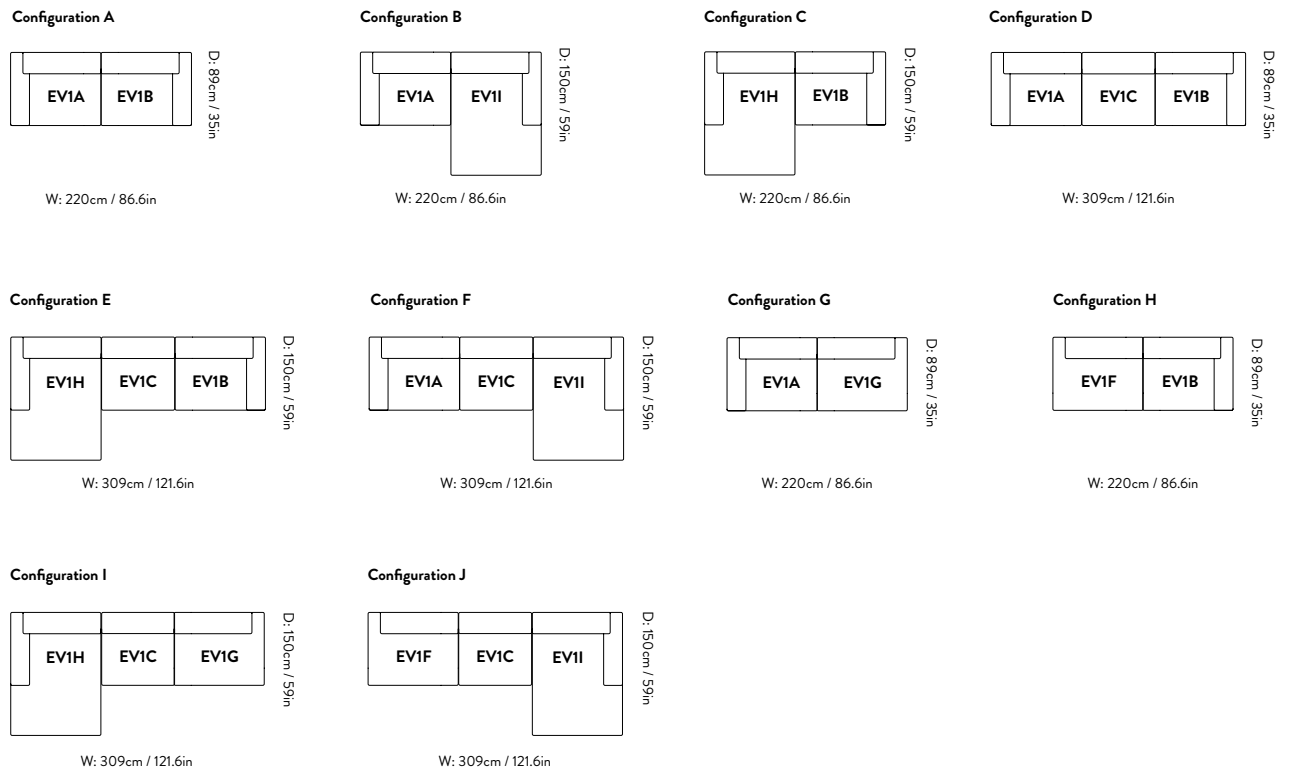
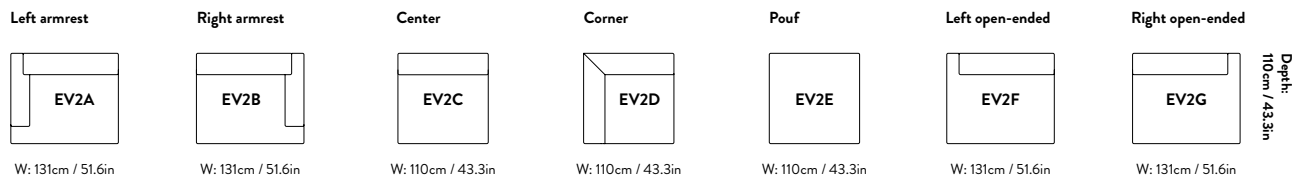
EV1 modules:

Seating Depth: 64cm / 25.2in, Seating Height: 42cm / 16.5in, Armrest Height: 60cm / 23.6in, Backrest Height: 70cm / 27.6in



EV2 modules:

Seating Depth: 85cm / 33.5in, Seating Height: 42cm / 16.5in, Armrest Height: 60cm / 23.6in, Backrest Height: 70cm / 27.6in

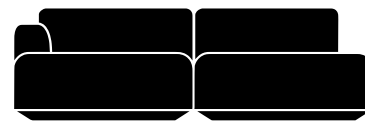


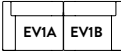
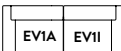
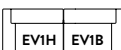
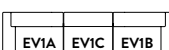
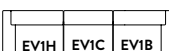
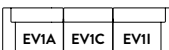
Develius



Edward van Vliet

2018



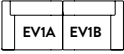
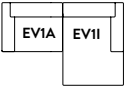
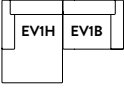
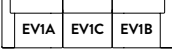
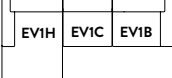
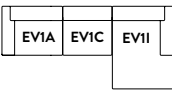
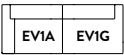
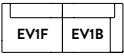
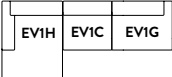
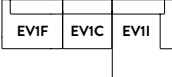
Item no.	Model	Upholstery	Lead time	PRICE EX. VAT (SEK)	PRICE INC. VAT (SEK)
70311001	Configuration A	Linara Stone 2494/266	2-4 weeks	27.448	34.310
70323001		Hallingdal 130	Stock item	29.736	37.170
70321001		Ritz 6726 Dark Green	2-4 weeks	29.736	37.170
70301001		Karakorum 003	2-4 weeks	54.900	68.625
70311002	Configuration B	Linara Stone 2494/266	2-4 weeks	31.452	39.315
70323002		Hallingdal 130	2-4 weeks	33.740	42.175
70321002		Ritz 6726 Dark Green	2-4 weeks	33.740	42.175
70301002		Karakorum 003	2-4 weeks	60.052	75.065
70311003	Configuration C	Linara Stone 2494/266	2-4 weeks	31.452	39.315
70323003		Hallingdal 130	2-4 weeks	33.740	42.175
70321003		Ritz 6726 Dark Green	2-4 weeks	33.740	42.175
70301003		Karakorum 003	2-4 weeks	60.052	75.065
70311004	Configuration D	Linara Stone 2494/266	2-4 weeks	38.880	48.600
70323004		Hallingdal 130	Stock item	42.312	52.890
70321004		Ritz 6726 Dark Green	2-4 weeks	42.312	52.890
70301004		Karakorum 003	2-4 weeks	76.632	95.790
70311005	Configuration E	Linara Stone 2494/266	2-4 weeks	42.884	53.605
70323005		Hallingdal 130	2-4 weeks	46.320	57.900
70321005		Ritz 6726 Dark Green	2-4 weeks	46.320	57.900
70301005		Karakorum 003	2-4 weeks	81.784	102.230
70311006	Configuration F	Linara Stone 2494/266	2-4 weeks	42.884	53.605
70323006		Hallingdal 130	2-4 weeks	46.320	57.900
70321006		Ritz 6726 Dark Green	2-4 weeks	46.320	57.900
70301006		Karakorum 003	2-4 weeks	81.784	102.230

Develius

Edward van Vliet

2018



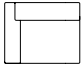
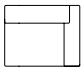

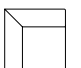


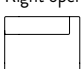
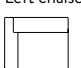

Model	Product	Upholstery options	Lead time	PRICE EX. VAT (SEK)	PRICE INC. VAT (SEK)
A	Configuration A 	· Canvas, Linara, Maple, Remix, Re-Wool	6-8 weeks	27.448	34.310
		· Clay, Divina Melange, Duke, Fiord, Hallingdal, Loop, Ritz, Ruskin, Steelcut, Steelcut Trio, Zero	6-8 weeks	29.736	37.170
		· Balder, Harald, Moss, Nimbus, Sisu, Sunniva, Svevo, Vidar	6-8 weeks	36.600	45.750
		· Atlas, Gentle, Karakorum, Serafino	6-8 weeks	54.900	68.625
		· Noble Aniline leather	6-8 weeks	52.612	65.765
		· COM	6-8 weeks	27.448	34.310
B	Configuration B 	· Canvas, Linara, Maple, Remix, Re-Wool	6-8 weeks	31.452	39.315
		· Clay, Divina Melange, Duke, Fiord, Hallingdal, Loop, Ritz, Ruskin, Steelcut, Steelcut Trio, Zero	6-8 weeks	33.740	42.175
		· Balder, Harald, Moss, Nimbus, Sisu, Sunniva, Svevo, Vidar	6-8 weeks	40.604	50.755
		· Atlas, Gentle, Karakorum, Serafino	6-8 weeks	60.052	75.065
		· Noble Aniline leather	6-8 weeks	58.908	73.635
		· COM	6-8 weeks	31.452	39.315
C	Configuration C 	· Canvas, Linara, Maple, Remix, Re-Wool	6-8 weeks	31.452	39.315
		· Clay, Divina Melange, Duke, Fiord, Hallingdal, Loop, Ritz, Ruskin, Steelcut, Steelcut Trio, Zero	6-8 weeks	33.740	42.175
		· Balder, Harald, Moss, Nimbus, Sisu, Sunniva, Svevo, Vidar	6-8 weeks	40.604	50.755
		· Atlas, Gentle, Karakorum, Serafino	6-8 weeks	60.052	75.065
		· Noble Aniline leather	6-8 weeks	58.908	73.635
		· COM	6-8 weeks	31.452	39.315
D	Configuration D 	· Canvas, Linara, Maple, Remix, Re-Wool	6-8 weeks	38.880	48.600
		· Clay, Divina Melange, Duke, Fiord, Hallingdal, Loop, Ritz, Ruskin, Steelcut, Steelcut Trio, Zero	6-8 weeks	42.312	52.890
		· Balder, Harald, Moss, Nimbus, Sisu, Sunniva, Svevo, Vidar	6-8 weeks	51.468	64.335
		· Atlas, Gentle, Karakorum, Serafino	6-8 weeks	76.632	95.790
		· Noble Aniline leather	6-8 weeks	73.200	91.500
		· COM	6-8 weeks	38.880	48.600
E	Configuration E 	· Canvas, Linara, Maple, Remix, Re-Wool	6-8 weeks	42.884	53.605
		· Clay, Divina Melange, Duke, Fiord, Hallingdal, Loop, Ritz, Ruskin, Steelcut, Steelcut Trio, Zero	6-8 weeks	46.320	57.900
		· Balder, Harald, Moss, Nimbus, Sisu, Sunniva, Svevo, Vidar	6-8 weeks	55.472	69.340
		· Atlas, Gentle, Karakorum, Serafino	6-8 weeks	81.784	102.230
		· Noble Aniline leather	6-8 weeks	79.496	99.370
		· COM	6-8 weeks	42.884	53.605
F	Configuration F 	· Canvas, Linara, Maple, Remix, Re-Wool	6-8 weeks	42.884	53.605
		· Clay, Divina Melange, Duke, Fiord, Hallingdal, Loop, Ritz, Ruskin, Steelcut, Steelcut Trio, Zero	6-8 weeks	46.320	57.900
		· Balder, Harald, Moss, Nimbus, Sisu, Sunniva, Svevo, Vidar	6-8 weeks	55.472	69.340
		· Atlas, Gentle, Karakorum, Serafino	6-8 weeks	81.784	102.230
		· Noble Aniline leather	6-8 weeks	79.496	99.370
		· COM	6-8 weeks	42.884	53.605
G	Configuration G 	· Canvas, Linara, Maple, Remix, Re-Wool	6-8 weeks	26.876	33.595
		· Clay, Divina Melange, Duke, Fiord, Hallingdal, Loop, Ritz, Ruskin, Steelcut, Steelcut Trio, Zero	6-8 weeks	29.164	36.455
		· Balder, Harald, Moss, Nimbus, Sisu, Sunniva, Svevo, Vidar	6-8 weeks	35.456	44.320
		· Atlas, Gentle, Karakorum, Serafino	6-8 weeks	52.612	65.765
		· Noble Aniline leather	6-8 weeks	51.468	64.335
		· COM	6-8 weeks	26.876	33.595
H	Configuration H 	· Canvas, Linara, Maple, Remix, Re-Wool	6-8 weeks	26.876	33.595
		· Clay, Divina Melange, Duke, Fiord, Hallingdal, Loop, Ritz, Ruskin, Steelcut, Steelcut Trio, Zero	6-8 weeks	29.164	36.455
		· Balder, Harald, Moss, Nimbus, Sisu, Sunniva, Svevo, Vidar	6-8 weeks	35.456	44.320
		· Atlas, Gentle, Karakorum, Serafino	6-8 weeks	52.612	65.765
		· Noble Aniline leather	6-8 weeks	51.468	64.335
		· COM	6-8 weeks	26.876	33.595
I	Configuration I 	· Canvas, Linara, Maple, Remix, Re-Wool	6-8 weeks	42.312	52.890
		· Clay, Divina Melange, Duke, Fiord, Hallingdal, Loop, Ritz, Ruskin, Steelcut, Steelcut Trio, Zero	6-8 weeks	45.748	57.185
		· Balder, Harald, Moss, Nimbus, Sisu, Sunniva, Svevo, Vidar	6-8 weeks	54.328	67.910
		· Atlas, Gentle, Karakorum, Serafino	6-8 weeks	78.924	98.655
		· Noble Aniline leather	6-8 weeks	78.352	97.940
		· COM	6-8 weeks	42.312	52.890
J	Configuration J 	· Canvas, Linara, Maple, Remix, Re-Wool	6-8 weeks	42.312	52.890
		· Clay, Divina Melange, Duke, Fiord, Hallingdal, Loop, Ritz, Ruskin, Steelcut, Steelcut Trio, Zero	6-8 weeks	45.748	57.185
		· Balder, Harald, Moss, Nimbus, Sisu, Sunniva, Svevo, Vidar	6-8 weeks	54.328	67.910
		· Atlas, Gentle, Karakorum, Serafino	6-8 weeks	78.924	98.655
		· Noble Aniline leather	6-8 weeks	78.352	97.940
		· COM	6-8 weeks	42.312	52.890

Develius ^{EV1A-EV1I}

Edward van Vliet

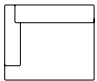
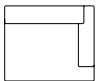

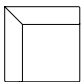
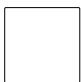
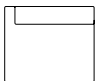
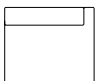
2018



Model	Product	Upholstery	Lead time	Weight	PRICE EX.	PRICE INC.
					VAT (SEK)	VAT (SEK)
EV1A	Left armrest  Fabric usage: 5.1m* Leather consumption: 9.2 sqm*	• Canvas, Linara, Maple, Remix, Re-Wool	6-8 weeks	50.00 kg	13.724	17.155
		• Clay, Divina Melange, Duke, Fiord, Hallingdal, Loop, Ritz, Ruskin, Steelcut, Steelcut Trio, Zero	6-8 weeks	50.00 kg	14.868	18.585
		• Balder, Harald, Moss, Nimbus, Sisu, Sunniva, Svevo, Vidar	6-8 weeks	50.00 kg	18.300	22.875
		• Atlas, Gentle, Karakorum, Serafino	6-8 weeks	50.00 kg	27.452	34.315
		• Noble Aniline leather	6-8 weeks	50.00 kg	26.308	32.885
• COM	6-8 weeks	50.00 kg	13.724	17.155		
EV1B	Right armrest  Fabric usage: 5.1m* Leather consumption: 9.2 sqm*	• Canvas, Linara, Maple, Remix, Re-Wool	6-8 weeks	50.00 kg	13.724	17.155
		• Clay, Divina Melange, Duke, Fiord, Hallingdal, Loop, Ritz, Ruskin, Steelcut, Steelcut Trio, Zero	6-8 weeks	50.00 kg	14.868	18.585
		• Balder, Harald, Moss, Nimbus, Sisu, Sunniva, Svevo, Vidar	6-8 weeks	50.00 kg	18.300	22.875
		• Atlas, Gentle, Karakorum, Serafino	6-8 weeks	50.00 kg	27.452	34.315
		• Noble Aniline leather	6-8 weeks	50.00 kg	26.308	32.885
• COM	6-8 weeks	50.00 kg	13.724	17.155		
EV1C	Center  Fabric usage: 3.7m* Leather consumption: 7 sqm	• Canvas, Linara, Maple, Remix, Re-Wool	6-8 weeks	35.00 kg	11.436	14.295
		• Clay, Divina Melange, Duke, Fiord, Hallingdal, Loop, Ritz, Ruskin, Steelcut, Steelcut Trio, Zero	6-8 weeks	35.00 kg	12.580	15.725
		• Balder, Harald, Moss, Nimbus, Sisu, Sunniva, Svevo, Vidar	6-8 weeks	35.00 kg	14.868	18.585
		• Atlas, Gentle, Karakorum, Serafino	6-8 weeks	35.00 kg	21.732	27.165
		• Noble Aniline leather	6-8 weeks	35.00 kg	20.588	25.735
• COM	6-8 weeks	35.00 kg	11.436	14.295		
EV1D	Corner  Fabric usage: 4.5m* Leather consumption: 8.1 sqm*	• Canvas, Linara, Maple, Remix, Re-Wool	6-8 weeks	43.00 kg	13.724	17.155
		• Clay, Divina Melange, Duke, Fiord, Hallingdal, Loop, Ritz, Ruskin, Steelcut, Steelcut Trio, Zero	6-8 weeks	43.00 kg	14.868	18.585
		• Balder, Harald, Moss, Nimbus, Sisu, Sunniva, Svevo, Vidar	6-8 weeks	43.00 kg	18.300	22.875
		• Atlas, Gentle, Karakorum, Serafino	6-8 weeks	43.00 kg	27.452	34.315
		• Noble Aniline leather	6-8 weeks	43.00 kg	26.308	32.885
• COM	6-8 weeks	43.00 kg	13.724	17.155		
EV1E	Pouf  Fabric usage: 2.9m* Leather consumption: 5.8 sqm*	• Canvas, Linara, Maple, Remix, Re-Wool	6-8 weeks	26.00 kg	9.720	12.150
		• Clay, Divina Melange, Duke, Fiord, Hallingdal, Loop, Ritz, Ruskin, Steelcut, Steelcut Trio, Zero	6-8 weeks	26.00 kg	10.864	13.580
		• Balder, Harald, Moss, Nimbus, Sisu, Sunniva, Svevo, Vidar	6-8 weeks	26.00 kg	12.008	15.010
		• Atlas, Gentle, Karakorum, Serafino	6-8 weeks	26.00 kg	15.440	19.300
		• Noble Aniline leather	6-8 weeks	26.00 kg	16.012	20.015
• COM	6-8 weeks	26.00 kg	9.720	12.150		
EV1F	Left open-ended  Fabric usage: 4.2m* Leather consumption: 8 sqm*	• Canvas, Linara, Maple, Remix, Re-Wool	6-8 weeks	43.00 kg	13.152	16.440
		• Clay, Divina Melange, Duke, Fiord, Hallingdal, Loop, Ritz, Ruskin, Steelcut, Steelcut Trio, Zero	6-8 weeks	43.00 kg	14.296	17.870
		• Balder, Harald, Moss, Nimbus, Sisu, Sunniva, Svevo, Vidar	6-8 weeks	43.00 kg	17.156	21.445
		• Atlas, Gentle, Karakorum, Serafino	6-8 weeks	43.00 kg	24.592	30.740
		• Noble Aniline leather	6-8 weeks	43.00 kg	25.164	31.455
• COM	6-8 weeks	43.00 kg	13.152	16.440		
EV1G	Right open-ended  Fabric usage: 4.2m* Leather consumption: 8 sqm*	• Canvas, Linara, Maple, Remix, Re-Wool	6-8 weeks	43.00 kg	13.152	16.440
		• Clay, Divina Melange, Duke, Fiord, Hallingdal, Loop, Ritz, Ruskin, Steelcut, Steelcut Trio, Zero	6-8 weeks	43.00 kg	14.296	17.870
		• Balder, Harald, Moss, Nimbus, Sisu, Sunniva, Svevo, Vidar	6-8 weeks	43.00 kg	17.156	21.445
		• Atlas, Gentle, Karakorum, Serafino	6-8 weeks	43.00 kg	24.592	30.740
		• Noble Aniline leather	6-8 weeks	43.00 kg	25.164	31.455
• COM	6-8 weeks	43.00 kg	13.152	16.440		
EV1H	Left chaiselong  Fabric usage: 6.1m* Leather consumption: 12.3 sqm*	• Canvas, Linara, Maple, Remix, Re-Wool	6-8 weeks	70.00 kg	17.728	22.160
		• Clay, Divina Melange, Duke, Fiord, Hallingdal, Loop, Ritz, Ruskin, Steelcut, Steelcut Trio, Zero	6-8 weeks	70.00 kg	18.872	23.590
		• Balder, Harald, Moss, Nimbus, Sisu, Sunniva, Svevo, Vidar	6-8 weeks	70.00 kg	22.304	27.880
		• Atlas, Gentle, Karakorum, Serafino	6-8 weeks	70.00 kg	24.592	30.740
		• Noble Aniline leather	6-8 weeks	70.00 kg	32.600	40.750
• COM	6-8 weeks	70.00 kg	17.728	22.160		
EV1I	Right chaiselong  Fabric usage: 6.1m* Leather consumption: 12.3 sqm*	• Canvas, Linara, Maple, Remix, Re-Wool	6-8 weeks	70.00 kg	17.728	22.160
		• Clay, Divina Melange, Duke, Fiord, Hallingdal, Loop, Ritz, Ruskin, Steelcut, Steelcut Trio, Zero	6-8 weeks	70.00 kg	18.872	23.590
		• Balder, Harald, Moss, Nimbus, Sisu, Sunniva, Svevo, Vidar	6-8 weeks	70.00 kg	22.304	27.880
		• Atlas, Gentle, Karakorum, Serafino	6-8 weeks	70.00 kg	32.600	40.750
		• Noble Aniline leather	6-8 weeks	70.00 kg	32.600	40.750
• COM	6-8 weeks	70.00 kg	17.728	22.160		

Develius EV2A-EV2G

Edward van Vliet
2018

Model	Product	Upholstery	Lead time	Weight	PRICE EX. VAT (SEK)	PRICE INC. VAT (SEK)
EV2A	Left armrest  Fabric usage: 5.5m*	• Canvas, Linara, Maple, Remix, Re-Wool	6-8 weeks	63.00 kg	18.300	22.875
		• Clay, Divina Melange, Duke, Fiord, Hallingdal, Loop, Ritz, Ruskin, Steelcut, Steelcut Trio, Zero	6-8 weeks	63.00 kg	20.588	25.735
		• Balder, Harald, Moss, Nimbus, Sisu, Sunniva, Svevo, Vidar	6-8 weeks	63.00 kg	23.448	29.310
		• Atlas, Gentle, Karakorum, Serafino	6-8 weeks	63.00 kg	32.028	40.035
		• COM	6-8 weeks	63.00 kg	18.300	22.875
EV2B	Right armrest  Fabric usage: 5.5m*	• Canvas, Linara, Maple, Remix, Re-Wool	6-8 weeks	63.00 kg	18.300	22.875
		• Clay, Divina Melange, Duke, Fiord, Hallingdal, Loop, Ritz, Ruskin, Steelcut, Steelcut Trio, Zero	6-8 weeks	63.00 kg	20.588	25.735
		• Balder, Harald, Moss, Nimbus, Sisu, Sunniva, Svevo, Vidar	6-8 weeks	63.00 kg	23.448	29.310
		• Atlas, Gentle, Karakorum, Serafino	6-8 weeks	63.00 kg	32.028	40.035
		• COM	6-8 weeks	63.00 kg	18.300	22.875
EV2C	Center  Fabric usage: 4.4m*	• Canvas, Linara, Maple, Remix, Re-Wool	6-8 weeks	48.00 kg	14.868	18.585
		• Clay, Divina Melange, Duke, Fiord, Hallingdal, Loop, Ritz, Ruskin, Steelcut, Steelcut Trio, Zero	6-8 weeks	48.00 kg	16.012	20.015
		• Balder, Harald, Moss, Nimbus, Sisu, Sunniva, Svevo, Vidar	6-8 weeks	48.00 kg	18.300	22.875
		• Atlas, Gentle, Karakorum, Serafino	6-8 weeks	48.00 kg	25.164	31.455
		• COM	6-8 weeks	48.00 kg	14.868	18.585
EV2D	Corner  Fabric usage: 5.7m*	• Canvas, Linara, Maple, Remix, Re-Wool	6-8 weeks	57.00 kg	16.584	20.730
		• Clay, Divina Melange, Duke, Fiord, Hallingdal, Loop, Ritz, Ruskin, Steelcut, Steelcut Trio, Zero	6-8 weeks	57.00 kg	17.728	22.160
		• Balder, Harald, Moss, Nimbus, Sisu, Sunniva, Svevo, Vidar	6-8 weeks	57.00 kg	21.160	26.450
		• Atlas, Gentle, Karakorum, Serafino	6-8 weeks	57.00 kg	30.312	37.890
		• COM	6-8 weeks	57.00 kg	16.584	20.730
EV2E	Pouf  Fabric usage: 3.6m*	• Canvas, Linara, Maple, Remix, Re-Wool	6-8 weeks	32.00 kg	12.580	15.725
		• Clay, Divina Melange, Duke, Fiord, Hallingdal, Loop, Ritz, Ruskin, Steelcut, Steelcut Trio, Zero	6-8 weeks	32.00 kg	13.724	17.155
		• Balder, Harald, Moss, Nimbus, Sisu, Sunniva, Svevo, Vidar	6-8 weeks	32.00 kg	16.012	20.015
		• Atlas, Gentle, Karakorum, Serafino	6-8 weeks	32.00 kg	20.588	25.735
		• COM	6-8 weeks	32.00 kg	12.580	15.725
EV2F	Left open-ended  Fabric usage: 4.9m*	• Canvas, Linara, Maple, Remix, Re-Wool	6-8 weeks	57.00 kg	17.728	22.160
		• Clay, Divina Melange, Duke, Fiord, Hallingdal, Loop, Ritz, Ruskin, Steelcut, Steelcut Trio, Zero	6-8 weeks	57.00 kg	19.444	24.305
		• Balder, Harald, Moss, Nimbus, Sisu, Sunniva, Svevo, Vidar	6-8 weeks	57.00 kg	22.304	27.880
		• Atlas, Gentle, Karakorum, Serafino	6-8 weeks	57.00 kg	29.740	37.175
		• COM	6-8 weeks	57.00 kg	17.728	22.160
EV2G	Right open-ended  Fabric usage: 4.9m*	• Canvas, Linara, Maple, Remix, Re-Wool	6-8 weeks	57.00 kg	17.728	22.160
		• Clay, Divina Melange, Duke, Fiord, Hallingdal, Loop, Ritz, Ruskin, Steelcut, Steelcut Trio, Zero	6-8 weeks	57.00 kg	19.444	24.305
		• Balder, Harald, Moss, Nimbus, Sisu, Sunniva, Svevo, Vidar	6-8 weeks	57.00 kg	22.304	27.880
		• Atlas, Gentle, Karakorum, Serafino	6-8 weeks	57.00 kg	29.740	37.175
		• COM	6-8 weeks	57.00 kg	17.728	22.160
30310010		Power outlet incl bracket (Schuko plug) *must be specified with the order	6-8 weeks		2.856	3.570

* Fabric usage is based on a 140cm roll

Material: Wooden frame, no-zag springs, HR foam and polyester wadding. Metal brackets for connecting modules.

COM must be approved by &Tradition to ensure suitability for upholstery.

Develius EV2-EV7 is not available in leather.

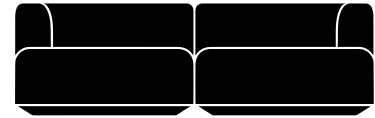
Felt gliders installed as standard.

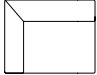

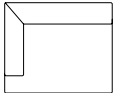
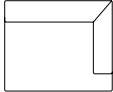
Develius



Edward van Vliet

2018



Model	Product	Upholstery	Lead time	Weight	PRICE EX. VAT (SEK)	PRICE INC. VAT (SEK)
EV1J	Left armrest  Fabric usage: 5.1m* Leather consumption: 9.1 sqm*	• Canvas, Linara, Maple, Remix, Re-Wool	6-8 weeks		13.724	17.155
		• Clay, Divina Melange, Duke, Fiord, Hallingdal, Loop, Ritz, Ruskin, Steelcut, Steelcut Trio, Zero	6-8 weeks		14.868	18.585
		• Balder, Harald, Moss, Nimbus, Sisu, Sunniva, Svevo, Vidar	6-8 weeks		18.300	22.875
		• Atlas, Gentle, Karakorum, Serafino	6-8 weeks		27.452	34.315
		• Noble Aniline leather	6-8 weeks		26.308	32.885
		• COM	6-8 weeks		13.724	17.155
EV1K	Right armrest  Fabric usage: 5.1m* Leather consumption: 9.1 sqm*	• Canvas, Linara, Maple, Remix, Re-Wool	6-8 weeks		13.724	17.155
		• Clay, Divina Melange, Duke, Fiord, Hallingdal, Loop, Ritz, Ruskin, Steelcut, Steelcut Trio, Zero	6-8 weeks		14.868	18.585
		• Balder, Harald, Moss, Nimbus, Sisu, Sunniva, Svevo, Vidar	6-8 weeks		18.300	22.875
		• Atlas, Gentle, Karakorum, Serafino	6-8 weeks		27.452	34.315
		• Noble Aniline leather	6-8 weeks		26.308	32.885
		• COM	6-8 weeks		13.724	17.155
EV2J	Left armrest  Fabric usage: 6m*	• Canvas, Linara, Maple, Remix, Re-Wool	6-8 weeks		18.300	22.875
		• Clay, Divina Melange, Duke, Fiord, Hallingdal, Loop, Ritz, Ruskin, Steelcut, Steelcut Trio, Zero	6-8 weeks		20.588	25.735
		• Balder, Harald, Moss, Nimbus, Sisu, Sunniva, Svevo, Vidar	6-8 weeks		23.448	29.310
		• Atlas, Gentle, Karakorum, Serafino	6-8 weeks		32.028	40.035
		• COM	6-8 weeks		18.300	22.875
EV2K	Right armrest  Fabric usage: 6m*	• Canvas, Linara, Maple, Remix, Re-Wool	6-8 weeks		18.300	22.875
		• Clay, Divina Melange, Duke, Fiord, Hallingdal, Loop, Ritz, Ruskin, Steelcut, Steelcut Trio, Zero	6-8 weeks		20.588	25.735
		• Balder, Harald, Moss, Nimbus, Sisu, Sunniva, Svevo, Vidar	6-8 weeks		23.448	29.310
		• Atlas, Gentle, Karakorum, Serafino	6-8 weeks		32.028	40.035
		• COM	6-8 weeks		18.300	22.875

* Fabric usage is based on a 140cm roll & Leather usage is based on a yield of 60% pr hide.

EV1 modules:

Seating Depth: 64cm / 25.2in, Seating Height: 42cm / 16.5in,
 Armrest Height: 70cm / 27.6in, Backrest Height: 70cm / 27.6in

EV2 modules:

Seating Depth: 85cm / 33.5in, Seating Height: 42cm / 16.5in,
 Armrest Height: 70cm / 27.6in, Backrest Height: 70cm / 27.6in

Left armrest



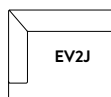
W: 110cm / 43.3in

Right armrest



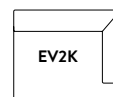
W: 110cm / 43.3in

Left armrest



W: 131cm / 51.6in

Right armrest



W: 131cm / 51.6in

Develius ^{EV5-EV7} Edward van Vliet 2018



Model	Product	Upholstery	Lead time	Weight	PRICE EX. VAT (SEK)	PRICE INC. VAT (SEK)
EV5	Pillow, large  Fabric usage: 1.3m*	• Canvas, Linara, Maple, Remix, Re-Wool	6-8 weeks	5.50 kg	1.824	2.280
		• Clay, Divina Melange, Duke, Fiord, Hallingdal, Loop, Ritz, Ruskin, Steelcut, Steelcut Trio, Zero	6-8 weeks	5.50 kg	2.052	2.565
		• Balder, Harald, Moss, Nimbus, Sisu, Sunniva, Svevo, Vidar	6-8 weeks	5.50 kg	2.740	3.425
		• Atlas, Gentle, Karakorum, Serafino	6-8 weeks	5.50 kg	4.228	5.285
		• COM	6-8 weeks	5.50 kg	1.824	2.280
EV6	Pillow, medium  Fabric usage: 0.8m*	• Canvas, Linara, Maple, Remix, Re-Wool	6-8 weeks	2.70 kg	1.480	1.850
		• Clay, Divina Melange, Duke, Fiord, Hallingdal, Loop, Ritz, Ruskin, Steelcut, Steelcut Trio, Zero	6-8 weeks	2.70 kg	1.712	2.140
		• Balder, Harald, Moss, Nimbus, Sisu, Sunniva, Svevo, Vidar	6-8 weeks	2.70 kg	2.052	2.565
		• Atlas, Gentle, Karakorum, Serafino	6-8 weeks	2.70 kg	3.084	3.855
		• COM	6-8 weeks	2.70 kg	1.480	1.850
EV7	Pillow, small  Fabric usage: 0.5m*	• Canvas, Linara, Maple, Remix, Re-Wool	6-8 weeks	1.30 kg	1.140	1.425
		• Clay, Divina Melange, Duke, Fiord, Hallingdal, Loop, Ritz, Ruskin, Steelcut, Steelcut Trio, Zero	6-8 weeks	1.30 kg	1.252	1.565
		• Balder, Harald, Moss, Nimbus, Sisu, Sunniva, Svevo, Vidar	6-8 weeks	1.30 kg	1.480	1.850
		• Atlas, Gentle, Karakorum, Serafino	6-8 weeks	1.30 kg	2.168	2.710
		• COM	6-8 weeks	1.30 kg	1.140	1.425

* Fabric usage is based on a 140cm roll

Material: Feather filling

COM must be approved by &Tradition to ensure suitability for upholstery.

Develius EV2-EV7 is not available in leather.



w: 80cm / 31.5in

EV5



w: 50cm / 19.7in

EV6

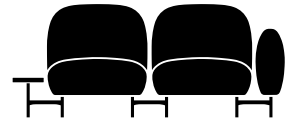


w: 50cm / 19.7in

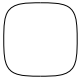

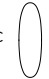


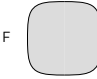
EV7

Isole NN1A-NN1G

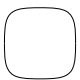
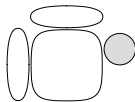
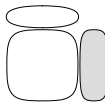
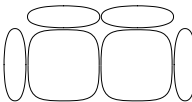
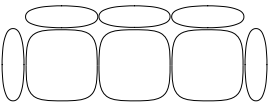
Nendo & Luca Nichetto
2017



Dimensions

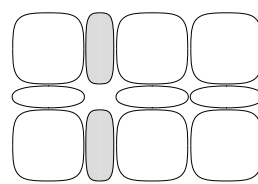
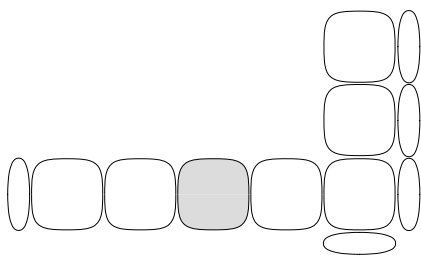
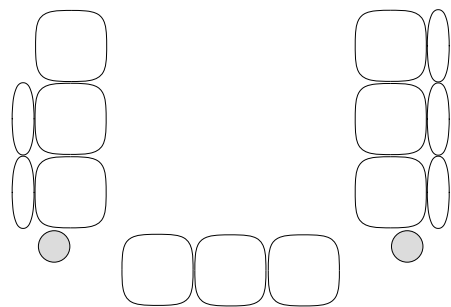
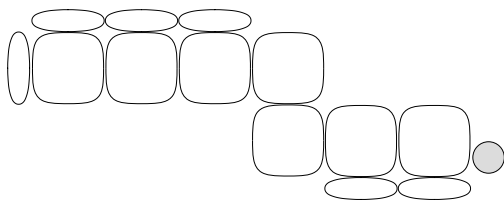
Seat	Back	Armrest	Round Table	Rectangular Table	Square Table
A  D: 65cm / 25.6in	B  D: 20cm / 7.9in	C  D: 67cm / 26.4in	D  Ø: 30cm / 11.8in	E  D: 65cm / 25.6in w: 20cm / 7.9in	F  D: 65cm / 25.6in w: 65cm / 25.6in

Simple configurations

 D: 65cm / 25.59in w: 65cm / 25.59in	 w: 118.6cm / 46.69in	 w: 87.5cm / 34.4in	 w: 176cm / 69.3in	 w: 242.2cm / 95.35in	D: 87.6 cm / 34.48 in
---	---	---	---	---	-----------------------

Configurations

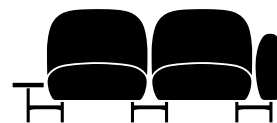
Please visit: <https://isole.andtradition.com> to configure your own Isole.



Isole NN1A-NN1G

Nendo & Luca Nichetto

2017



Item code	Upholstery	Model	Product	Lead time	PRICE EX. VAT (SEK)	PRICE INC. VAT (SEK)
Fabric gr. 1	Canvas, Remix	NN1A	Seat	6-8 weeks	5.716	7.145
		NN1B	Back	6-8 weeks	4.572	5.715
		NN1C	Arm	6-8 weeks	4.000	5.000
Fabric gr. 2	Hallingdal, Uniform Melange	NN1A	Seat	6-8 weeks	6.860	8.575
		NN1B	Back	6-8 weeks	5.716	7.145
		NN1C	Arm	6-8 weeks	4.572	5.715
Fabric gr. 4	Gentle	NN1A	Seat	6-8 weeks	10.292	12.865
		NN1B	Back	6-8 weeks	8.004	10.005
		NN1C	Arm	6-8 weeks	6.860	8.575

Item code	Table top finishes	Model	Product	Lead time	PRICE EX. VAT (SEK)	PRICE INC. VAT (SEK)
NN	Fenix laminate Black	NN1D	Round Table	6-8 weeks	3.428	4.285
		NN1E	Rectangular Table	6-8 weeks	3.656	4.570
		NN1F	Square Table	6-8 weeks	5.716	7.145
30310002	Power outlet incl bracket (Schuko plug) *must be specified with the order			6-8 weeks	2.856	3.570

Item code	Base	Model	Lead time	PRICE EX. VAT (SEK)	PRICE INC. VAT (SEK)
NN	Optional floor fixing set (2 pcs in one set)	NN1G	3-6 weeks	1.140	1.425

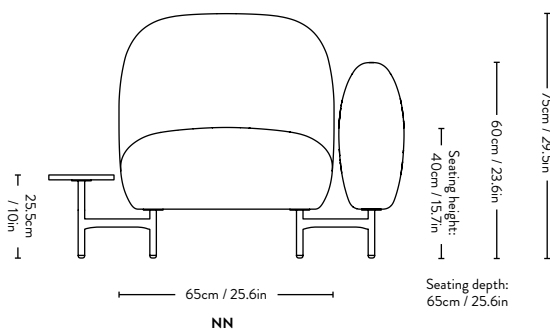
Base Colour

Steel Black

Material: Powder coated steel base, moulded HR foam seat, backrest and armrest. Black MDF table tops with nano laminate surface.

Modular system including base. Use model-app for configuration: <https://isole.andtradition.com>.

Plastic gliders installed as standard.



Fly SC10

Space Copenhagen 2017



Item no.	Product	Base	Model	Colli qty.	Lead time	Weight	PRICE EX. VAT (SEK)	PRICE INC. VAT (SEK)
65173001	Hot Madison 094	Oiled Oak	SC10	1 pc	Stock item	22.00 kg	18.300	22.875
65173002	Hot Madison 093	Smoked Oiled Oak	SC10	1 pc	Stock item	22.00 kg	18.300	22.875
65173014	Ritz 0408 Blue Grey	Smoked Oiled Oak	SC10	1 pc	2-4 weeks	22.00 kg	19.444	24.305
65173015	Karakorum 003	Oiled Oak	SC10	1 pc	2-4 weeks	22.00 kg	23.448	29.310
65173016	Karakorum 003	Smoked Oiled Oak	SC10	1 pc	2-4 weeks	22.00 kg	23.448	29.310

Item no.	Upholstery	Model	Lead time	Weight	PRICE EX. VAT (SEK)	PRICE INC. VAT (SEK)
Fabric gr. 1	Canvas, Linara, Maple, Remix, Re-Wool	SC10	6-8 weeks	22.00 kg	19.444	24.305
Fabric gr. 2	Clay, Divina Melange, Duke, Fiord, Hallingdal, Loop, Ritz, Ruskin, Steelcut, Steelcut Trio, Zero	SC10	6-8 weeks	22.00 kg	20.016	25.020
Fabric gr. 3	Balder, Harald, Moss, Nimbus, Sisu, Skai Parotega Artificial leather*, Sunniva, Svevo, Vidar	SC10	6-8 weeks	22.00 kg	22.304	27.880
Fabric gr. 4	Atlas, Gentle, Karakorum	SC10	6-8 weeks	22.00 kg	25.164	31.455
Fabric COM	COM Fabric	SC10	6-8 weeks	22.00 kg	19.444	24.305

Item no.	Add on	Lead time	Weight	PRICE EX. VAT (SEK)	PRICE INC. VAT (SEK)
65151000-3	Fly high legs - Oiled Oak (providing a seating height of 46cm / 18.1in)	Stock item	1.50 kg	908	1.135
65151100-3	Fly high legs - Smoked Oiled Oak (providing a seating height of 46cm / 18.1in)	Stock item	1.50 kg	908	1.135

*Skai Parotega Artificial leather:
This product contains 0,1-0,2 % C,C'-azodi (formamide), CAS no. 123-77-3.

Frame	Finish
Oak	Oiled Oak, Smoked Oiled Oak

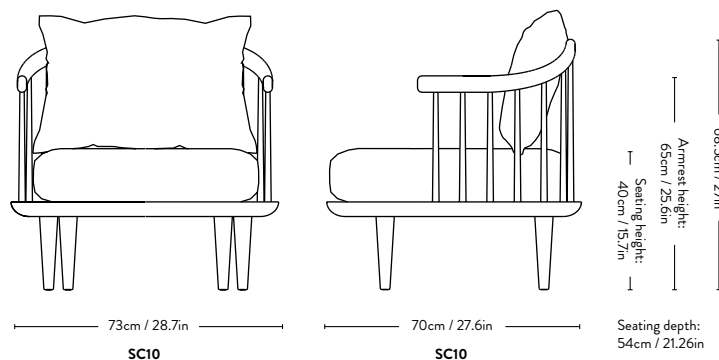
Material: Oiled oak frame and base. HR foam & feather pillows.

Fabric usage: 3 meters based on 140cm roll.

COM must be approved by &Tradition to ensure suitability for upholstery.

Fly SC10 is not available in leather.

Felt gliders installed as standard.



Fly SC1

Space Copenhagen 2013



Item no.	Product	Base	Model	Colli qty.	Lead time	Weight	PRICE EX. VAT (SEK)	PRICE INC. VAT (SEK)
65113001	Hot Madison 094	Oiled Oak	SC1	1 pc	Stock item	30.00 kg	19.444	24.305
65113002	Hot Madison 093	Smoked Oiled Oak	SC1	1 pc	Stock item	30.00 kg	19.444	24.305
65113014	Ritz 0408 Blue Grey	Smoked Oiled Oak	SC1	1 pc	2-4 weeks	30.00 kg	21.732	27.165
65113015	Karakorum 003	Oiled Oak	SC1	1 pc	2-4 weeks	30.00 kg	25.164	31.455
65113016	Karakorum 003	Smoked Oiled Oak	SC1	1 pc	2-4 weeks	30.00 kg	25.164	31.455

Item no.	Upholstery	Model	Lead time	Weight	PRICE EX. VAT (SEK)	PRICE INC. VAT (SEK)
Fabric gr. 1	Canvas, Linara, Maple, Remix, Re-Wool	SC1	6-8 weeks	30.00 kg	20.588	25.735
Fabric gr. 2	Clay, Divina Melange, Duke, Fiord, Hallingdal, Loop, Ritz, Ruskin, Steelcut, Steelcut Trio, Zero	SC1	6-8 weeks	30.00 kg	22.876	28.595
Fabric gr. 3	Balder, Harald, Moss, Nimbus, Sisu, Skai Parotega Artificial leather*, Sunniva, Svevo, Vidar	SC1	6-8 weeks	30.00 kg	25.164	31.455
Fabric gr. 4	Atlas, Gentle, Karakorum	SC1	6-8 weeks	30.00 kg	28.596	35.745
Fabric COM	COM Fabric	SC1	6-8 weeks	30.00 kg	20.588	25.735

Item no.	Add on	Lead time	Weight	PRICE EX. VAT (SEK)	PRICE INC. VAT (SEK)
65151000-3	Fly high legs - Oiled Oak (providing a seating height of 46cm / 18.1in)	Stock item	1.50 kg	908	1.135
65151100-3	Fly high legs - Smoked Oiled Oak (providing a seating height of 46cm / 18.1in)	Stock item	1.50 kg	908	1.135

*Skai Parotega Artificial leather:
This product contains 0,1-0,2% C,C-azodi (formamide), CAS no. 123-77-3.

Frame	Finish
Oak	Oiled Oak, Smoked Oiled Oak

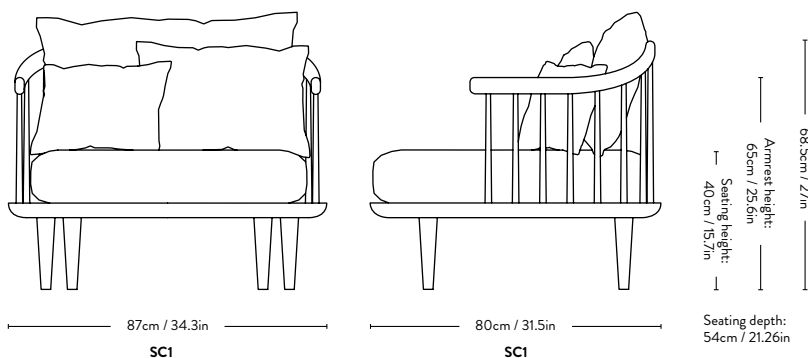
Material: Oiled oak frame and base. HR foam & feather pillows.

Fabric usage: 3.5 meters based on 140cm roll.

COM must be approved by &Tradition to ensure suitability for upholstery.

Fly SC1 is not available in leather.

Felt gliders installed as standard.



Fly SC2



Space Copenhagen 2013



Item no.	Product	Base	Model	Colli qty.	Lead time	Weight	PRICE EX. VAT (SEK)	PRICE INC. VAT (SEK)
65123001	Hot Madison 094	Oiled Oak	SC2	1 pc	Stock item	60.00 kg	34.316	42.895
65123002	Hot Madison 093	Smoked Oiled Oak	SC2	1 pc	Stock item	60.00 kg	34.316	42.895
65123014	Ritz 0408 Blue Grey	Smoked Oiled Oak	SC2	1 pc	2-4 weeks	60.00 kg	37.748	47.185
65123015	Karakorum 003	Oiled Oak	SC2	1 pc	2-4 weeks	60.00 kg	45.756	57.195
65123016	Karakorum 003	Smoked Oiled Oak	SC2	1 pc	2-4 weeks	60.00 kg	45.756	57.195

Item no.	Upholstery	Model	Lead time	Weight	PRICE EX. VAT (SEK)	PRICE INC. VAT (SEK)
Fabric gr. 1	Canvas, Linara, Maple, Remix, Re-Wool	SC2	6-8 weeks	60.00 kg	36.604	45.755
Fabric gr. 2	Clay, Divina Melange, Duke, Fiord, Hallingdal, Loop, Ritz, Ruskin, Steelcut, Steelcut Trio, Zero	SC2	6-8 weeks	60.00 kg	40.036	50.045
Fabric gr. 3	Balder, Harald, Moss, Nimbus, Sisu, Skai Parotega Artificial leather*, Sunniva, Svevo, Vidar	SC2	6-8 weeks	60.00 kg	43.468	54.335
Fabric gr. 4	Atlas, Gentle, Karakorum	SC2	6-8 weeks	60.00 kg	51.476	64.345
Fabric COM	COM Fabric	SC2	6-8 weeks	60.00 kg	36.604	45.755

Item no.	Add on	Lead time	Weight	PRICE EX. VAT (SEK)	PRICE INC. VAT (SEK)
65151000-3	Fly high legs - Oiled Oak (providing a seating height of 46cm / 18.1in)	Stock item	1.50 kg	908	1.135
65151100-3	Fly high legs - Smoked Oiled Oak (providing a seating height of 46cm / 18.1in)	Stock item	1.50 kg	908	1.135

*Skai Parotega Artificial leather:
This product contains 0,1-0,2 % C,C'-azodi (formamide), CAS no. 123-77-3.

Frame	Finish
Oak	Oiled Oak, Smoked Oiled Oak

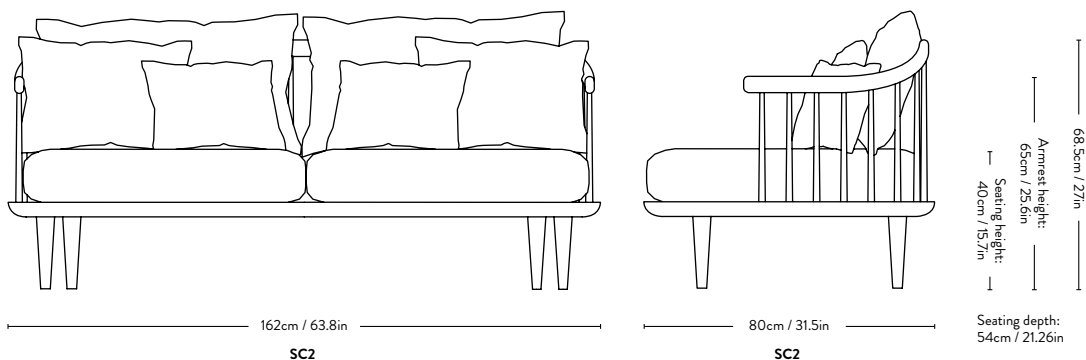
Material: Oiled oak frame and base. HR foam & feather pillows.

Fabric usage: 6.5 meters based on 140cm roll.

COM must be approved by &Tradition to ensure suitability for upholstery.

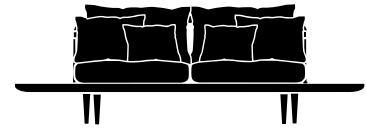
Fly SC2 is not available in leather.

Felt gliders installed as standard.



Fly SC3

Space Copenhagen 2013



Item no.	Product	Base	Model	Colli qty.	Lead time	Weight	PRICE EX. VAT (SEK)	PRICE INC. VAT (SEK)
65133001	Hot Madison 094	Oiled Oak	SC3	1 pc	2-4 weeks	70.00 kg	36.604	45.755
65133002	Hot Madison 093	Smoked Oiled Oak	SC3	1 pc	2-4 weeks	70.00 kg	36.604	45.755
65133014	Ritz 0408 Blue Grey	Smoked Oiled Oak	SC3	1 pc	2-4 weeks	70.00 kg	41.180	51.475
65133015	Karakorum 003	Oiled Oak	SC3	1 pc	2-4 weeks	70.00 kg	48.616	60.770
65133016	Karakorum 003	Smoked Oiled Oak	SC3	1 pc	2-4 weeks	70.00 kg	48.616	60.770

Item no.	Upholstery	Model	Lead time	Weight	PRICE EX. VAT (SEK)	PRICE INC. VAT (SEK)
Fabric gr. 1	Canvas, Linara, Maple, Remix, Re-Wool	SC3	6-8 weeks	70.00 kg	40.036	50.045
Fabric gr. 2	Clay, Divina Melange, Duke, Fiord, Hallingdal, Loop, Ritz, Ruskin, Steelcut, Steelcut Trio, Zero	SC3	6-8 weeks	70.00 kg	43.468	54.335
Fabric gr. 3	Balder, Harald, Moss, Nimbus, Sisu, Skai Parotega Artificial leather*, Sunniva, Svevo, Vidar	SC3	6-8 weeks	70.00 kg	46.900	58.625
Fabric gr. 4	Atlas, Gentle, Karakorum	SC3	6-8 weeks	70.00 kg	54.908	68.635
Fabric COM	COM Fabric	SC3	6-8 weeks	70.00 kg	40.036	50.045

Item no.	Add on	Lead time	Weight	PRICE EX. VAT (SEK)	PRICE INC. VAT (SEK)
65151000-3	Fly high legs - Oiled Oak (providing a seating height of 46cm / 18.1in)	Stock item	1.50 kg	908	1.135
65151100-3	Fly high legs - Smoked Oiled Oak (providing a seating height of 46cm / 18.1in)	Stock item	1.50 kg	908	1.135

*Skai Parotega Artificial leather:
This product contains 0,1-0,2 % C,C'-azodi (formamide), CAS no. 123-77-3.

Frame	Finish
Oak	Oiled Oak, Smoked Oiled Oak

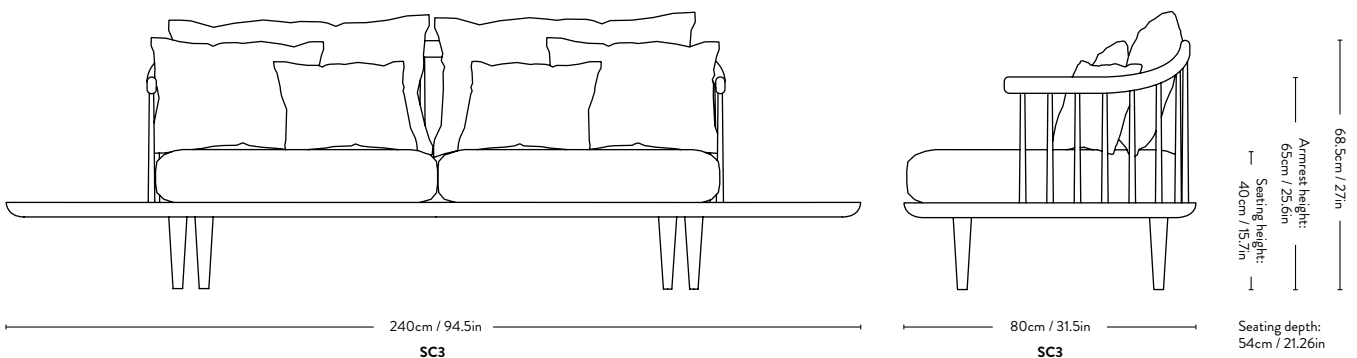
Material: Oiled oak frame and base. HR foam & feather pillows.

Fabric usage: 6.5 meters based on 140cm roll.

COM must be approved by &Tradition to ensure suitability for upholstery.

Fly SC3 is not available in leather.

Felt gliders installed as standard.



Fly SC12

Space Copenhagen 2017



Item no.	Product	Base	Model	Colli qty.	Lead time	Weight	PRICE EX. VAT (SEK)	PRICE INC. VAT (SEK)
65193001	Hot Madison 094	Oiled Oak	SC12	1 pc	6-8 weeks	80.00 kg	51.476	64.345
65193002	Hot Madison 093	Smoked Oiled Oak	SC12	1 pc	6-8 weeks	80.00 kg	51.476	64.345
65193015	Karakorum 003	Oiled Oak	SC12	1 pc	6-8 weeks	80.00 kg	65.204	81.505
65193016	Karakorum 003	Smoked Oiled Oak	SC12	1 pc	6-8 weeks	80.00 kg	65.204	81.505

Item no.	Upholstery	Model	Lead time	Weight	PRICE EX. VAT (SEK)	PRICE INC. VAT (SEK)
Fabric gr. 1	Canvas, Linara, Maple, Remix, Re-Wool	SC12	6-8 weeks	80.00 kg	51.476	64.345
Fabric gr. 2	Clay, Divina Melange, Duke, Fiord, Hallingdal, Loop, Ritz, Ruskin, Steelcut, Steelcut Trio, Zero	SC12	6-8 weeks	80.00 kg	54.908	68.635
Fabric gr. 3	Balder, Harald, Moss, Nimbus, Sisu, Skai Parotega Artificial leather*, Sunniva, Svevo, Vidar	SC12	6-8 weeks	80.00 kg	59.484	74.355
Fabric gr. 4	Atlas, Gentle, Karakorum	SC12	6-8 weeks	80.00 kg	74.356	92.945
Fabric COM	COM Fabric	SC12	6-8 weeks	80.00 kg	51.476	64.345

Item no.	Add on	Lead time	Weight	PRICE EX. VAT (SEK)	PRICE INC. VAT (SEK)
65151000-3	Fly high legs - Oiled Oak (providing a seating height of 46cm / 18.1in)	Stock item	1.50 kg	908	1.135
65151100-3	Fly high legs - Smoked Oiled Oak (providing a seating height of 46cm / 18.1in)	Stock item	1.50 kg	908	1.135

*Skai Parotega Artificial leather:
This product contains 0,1-0,2 % C,C'-azodi (formamide), CAS no. 123-77-3.

Frame	Finish
Oak	Oiled Oak, Smoked Oiled Oak

Material: Oiled oak frame and base. HR foam and feather pillows. Fabric upholstery.

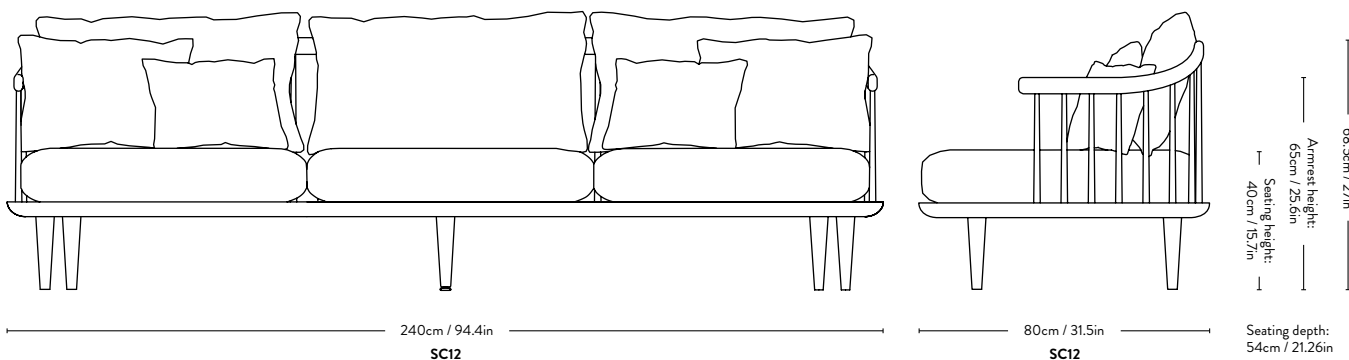
Fabric usage: 8 meters based on 140cm roll.

COM must be approved by &Tradition to ensure suitability for upholstery.

Fly SC12 is not available in leather.

High legs for Fly SC12 available upon request.

Felt gliders installed as standard.



Fly SC9



Space Copenhagen 2014



Item no.	Product	Base	Model	Colli qty.	Lead time	Weight	PRICE EX. VAT (SEK)	PRICE INC. VAT (SEK)
65143001	Hot Madison 094	Oiled Oak	SC9	1 pc	2-4 weeks	27.00 kg	10.292	12.865
65143002	Hot Madison 093	Smoked Oiled Oak	SC9	1 pc	2-4 weeks	27.00 kg	10.292	12.865
65143014	Ritz 0408 Blue Grey	Smoked Oiled Oak	SC9	1 pc	2-4 weeks	27.00 kg	11.436	14.295

Item no.	Upholstery	Model	Lead time	Weight	PRICE EX. VAT (SEK)	PRICE INC. VAT (SEK)
Fabric gr. 1	Canvas, Linara, Maple, Remix, Re-Wool	SC9	6-8 weeks	27.00 kg	11.436	14.295
Fabric gr. 2	Clay, Divina Melange, Duke, Fiord, Hallingdal, Loop, Ritz, Ruskin, Steelcut, Steelcut Trio, Zero	SC9	6-8 weeks	27.00 kg	12.580	15.725
Fabric gr. 3	Balder, Harald, Moss, Nimbus, Sisu, Skai Parotega Artificial leather*, Sunniva, Svevo, Vidar	SC9	6-8 weeks	27.00 kg	13.724	17.155
Fabric gr. 4	Atlas, Gentle, Karakorum	SC9	6-8 weeks	27.00 kg	16.012	20.015
Fabric COM	COM Fabric	SC9	6-8 weeks	27.00 kg	11.436	14.295

Item no.	Add on	Lead time	Weight	PRICE EX. VAT (SEK)	PRICE INC. VAT (SEK)
65151000-3	Fly high legs - Oiled Oak (providing a seating height of 46cm / 18.1in)	Stock item	1.50 kg	908	1.135
65151100-3	Fly high legs - Smoked Oiled Oak (providing a seating height of 46cm / 18.1in)	Stock item	1.50 kg	908	1.135

*Skai Parotega Artificial leather:

This product contains 0,1-0,2% C,C'-azodi (formamide), CAS no. 123-77-3.

Frame	Finish
Oak	Oiled Oak, Smoked Oiled Oak

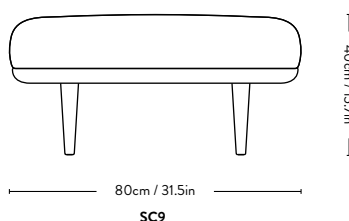
Material: Oiled oak base. HR foam & feather pillow.

Fabric usage: 1.8 meters based on 140cm roll.

COM must be approved by &Tradition to ensure suitability for upholstery.

Fly SC9 is not available in leather.

Felt gliders installed as standard.



Fly SC4 & SC5

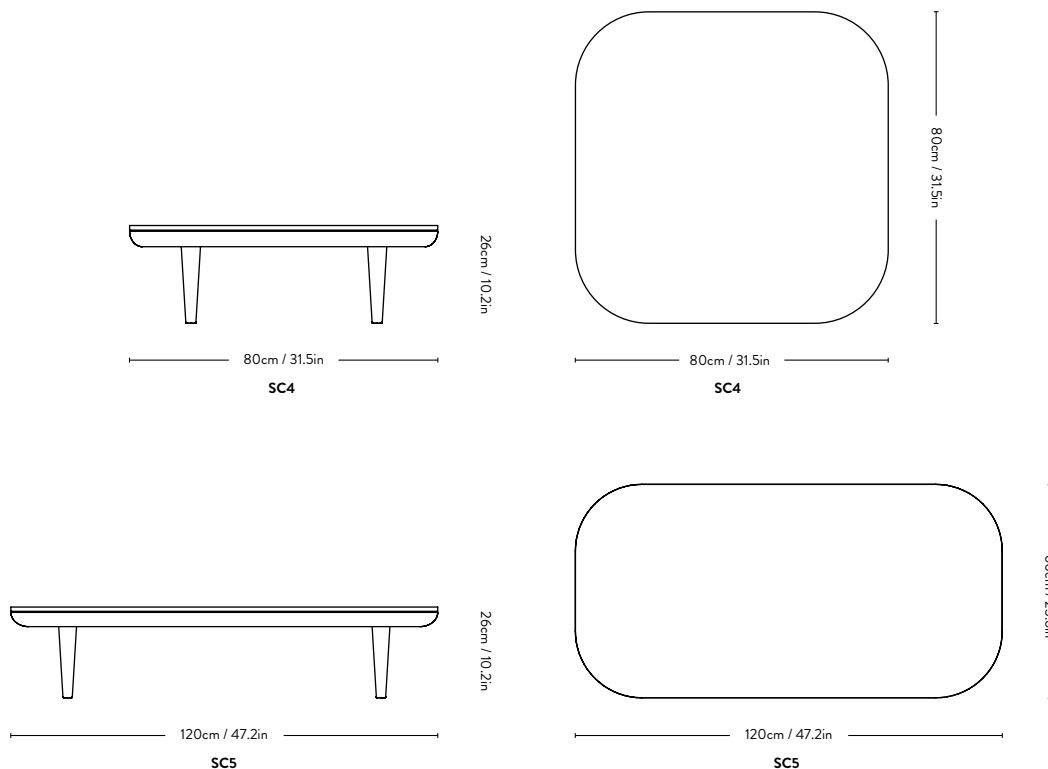
Space Copenhagen 2013



Item no.	Product	Model	Colli qty.	Lead time	Weight	PRICE EX. VAT (SEK)	PRICE INC. VAT (SEK)
65151000	Oiled Oak base w. honed Bianco Carrara marble	SC4	1 pc	Stock item	37.00 kg	14.868	18.585
65151400	Smoked Oiled Oak base w. honed Nero Marquina marble	SC4	1 pc	Stock item	37.00 kg	14.868	18.585
65161000	Oiled Oak base w. honed Bianco Carrara marble	SC5	1 pc	Stock item	45.00 kg	16.012	20.015
65161400	Smoked Oiled Oak base w. honed Nero Marquina marble	SC5	1 pc	Stock item	45.00 kg	16.012	20.015

Item no.	Add on	Lead time	Weight	PRICE EX. VAT (SEK)	PRICE INC. VAT (SEK)
65151000-3	Fly high legs - Oiled Oak (providing a tabletop height of 32cm / 12.6in)	Stock item	1.50 kg	908	1.135
65151100-3	Fly high legs - Smoked Oiled Oak (providing a tabletop height of 32cm / 12.6in)	Stock item	1.50 kg	908	1.135

Material: Solid oiled oak base with marble table top.

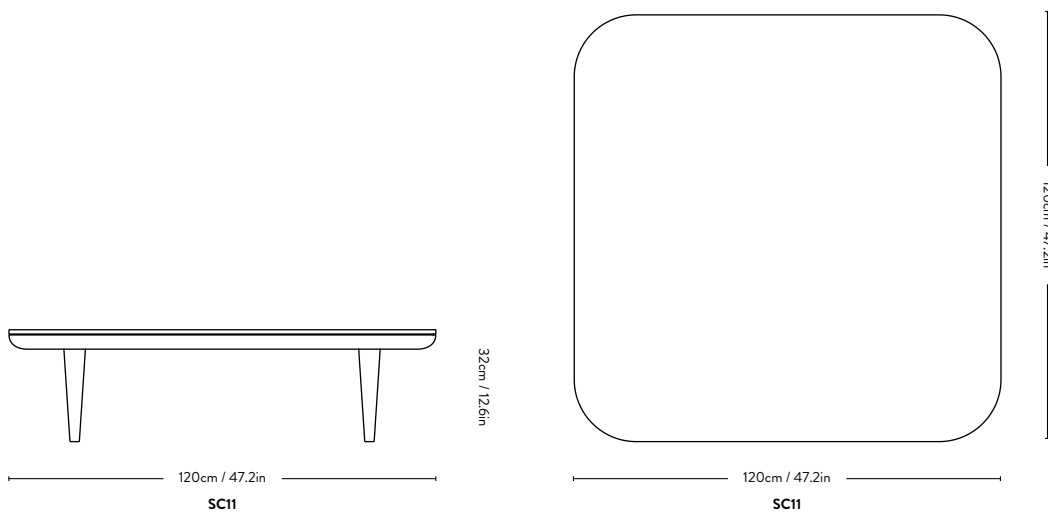


Fly ^{SC11} Space Copenhagen 2017



Item no.	Product	Model	Colli qty.	Lead time	Weight	PRICE EX. VAT (SEK)	PRICE INC. VAT (SEK)
65181000	Oiled Oak base w. honed Bianco Carrara marble	SC11	1 pc	Stock item	102.00 kg	28.596	35.745
65181100	Smoked Oiled Oak base w. honed Nero Marquina marble	SC11	1 pc	Stock item	102.00 kg	28.596	35.745

Material: Solid oiled oak base with marble table top.



In Between SK13-SK15

Sami Kallio

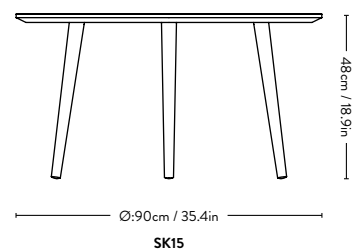
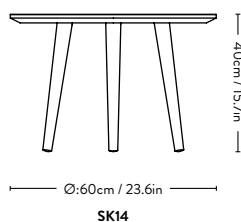
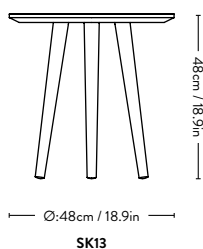
2014



Item no.	Product	Size	Model	Colli qty.	Lead time	Weight	PRICE EX. VAT (SEK)	PRICE INC. VAT (SEK)
20982200	Smoked Oiled Oak	Ø48cm, H:48cm	SK13	1 pc	Stock item	4.00 kg	2.856	3.570
20982292	Oiled Oak	Ø48cm, H:48cm	SK13	1 pc	Stock item	4.00 kg	2.856	3.570
20982294	Black Lacquered Oak	Ø48cm, H:48cm	SK13	1 pc	Stock item	4.00 kg	2.856	3.570
20982300	Smoked Oiled Oak	Ø60cm, H:40cm	SK14	1 pc	Stock item	5.90 kg	3.768	4.710
20982392	Oiled Oak	Ø60cm, H:40cm	SK14	1 pc	Stock item	5.90 kg	3.768	4.710
20982394	Black Lacquered Oak	Ø60cm, H:40cm	SK14	1 pc	Stock item	5.90 kg	3.768	4.710
20982400	Smoked Oiled Oak	Ø90cm, H:48cm	SK15	1 pc	Stock item	13.00 kg	5.144	6.430
20982492	Oiled Oak	Ø90cm, H:48cm	SK15	1 pc	Stock item	13.00 kg	5.144	6.430
20982494	Black Lacquered Oak	Ø90cm, H:48cm	SK15	1 pc	Stock item	13.00 kg	5.144	6.430

Materials **Finishes**

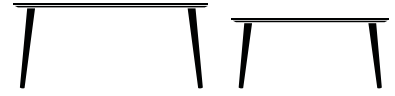
Table top	Solid Oak
Table legs	Solid Oak



In Between SK23 & SK24

Sami Kallio

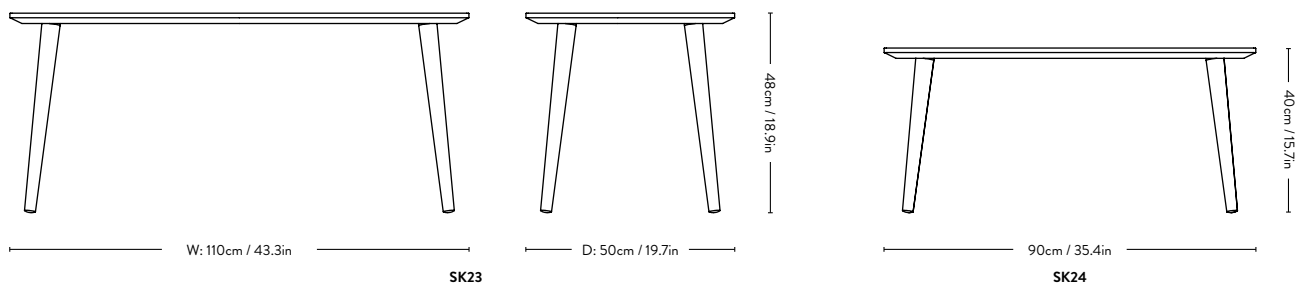
2014



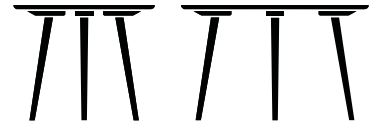
Item no.	Product	Size	Model	Colli qty.	Lead time	Weight	PRICE EX. VAT (SEK)	PRICE INC. VAT (SEK)
20982594	Black Lacquered Oak	W: 110cm, D: 50cm, H: 48cm	SK23	1 pc	Stock item	11.30 kg	5.144	6.430
20982592	Oiled Oak	W: 110cm, D: 50cm H: 48cm	SK23	1 pc	Stock item	11.30 kg	5.144	6.430
20982500	Smoked Oiled Oak	W: 110cm, D: 50cm H: 48cm	SK23	1 pc	Stock item	11.30 kg	5.144	6.430
20982694	Black Lacquered Oak	W: 90cm, D: 90cm, H: 40cm	SK24	1 pc	Stock item	16.80 kg	5.372	6.715
20982692	Oiled Oak	W: 90cm, D: 90cm, H: 40cm	SK24	1 pc	Stock item	16.80 kg	5.372	6.715
20982600	Smoked Oiled Oak	W: 90cm, D: 90cm, H: 40cm	SK24	1 pc	Stock item	16.80 kg	5.372	6.715

Materials **Finishes**

Table top	Solid Oak
Table legs	Solid Oak



In Between ^{SK3 & SK4} Sami Kallio 2014



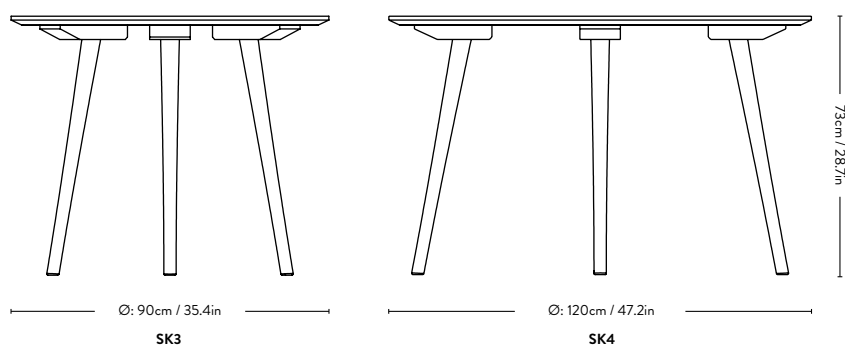
Item no.	Product	Size	Model	Colli qty.	Lead time	Weight	PRICE EX. VAT (SEK)	PRICE INC. VAT (SEK)
20981100	Smoked Oiled Oak	Ø90cm	SK3	1 pc	Stock item	19.00 kg	8.232	10.290
20981192	Oiled Oak	Ø90cm	SK3	1 pc	Stock item	19.00 kg	8.232	10.290
20981194	Black Lacquered Oak	Ø90cm	SK3	1 pc	Stock item	19.00 kg	8.232	10.290
20981196	Oiled Walnut	Ø90cm	SK3	1 pc	Stock item	19.00 kg	14.868	18.585
20981200	Smoked Oiled Oak	Ø120cm	SK4	1 pc	Stock item	31.00 kg	13.152	16.440
20981292	Oiled Oak	Ø120cm	SK4	1 pc	Stock item	31.00 kg	13.152	16.440
20981294	Black Lacquered Oak	Ø120cm	SK4	1 pc	Stock item	31.00 kg	13.152	16.440
20981296	Oiled Walnut	Ø120cm	SK4	1 pc	Stock item	31.00 kg	22.876	28.595

Materials Finishes

Table top	Solid Oak, Solid Walnut
Table legs	Solid Oak, Solid Walnut

Adjustable gliders installed as standard.

Bevelled table top edge.



In Between ^{SK5 & SK6} Sami Kallio 2014



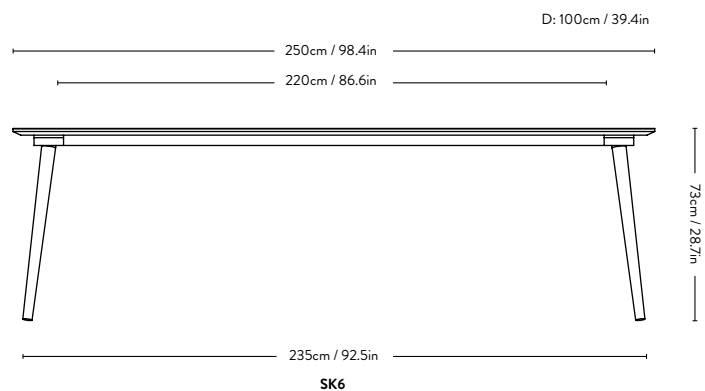
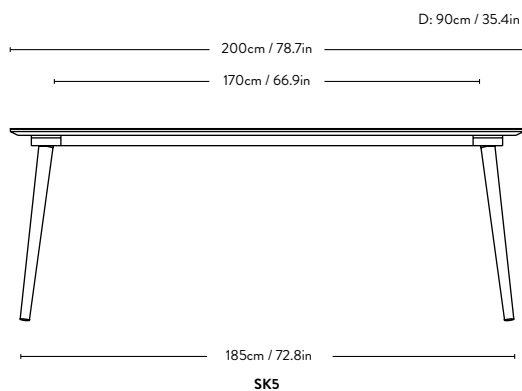
Item no.	Product	Size	Model	Colli qty.	Lead time	Weight	PRICE EX. VAT (SEK)	PRICE INC. VAT (SEK)
20981300	Smoked Lacquered Oak	90x200cm	SK5	1 pc	Stock item	52.40 kg	14.868	18.585
20981392	Clear Lacquered Oak	90x200cm	SK5	1 pc	Stock item	52.40 kg	14.868	18.585
20981394	Black Lacquered Oak	90x200cm	SK5	1 pc	Stock item	52.40 kg	14.868	18.585
20981400	Smoked Lacquered Oak	100x250cm	SK6	1 pc	Stock item	67.10 kg	17.156	21.445
20981492	Clear Lacquered Oak	100x250cm	SK6	1 pc	Stock item	67.10 kg	17.156	21.445
20981494	Black Lacquered Oak	100x250cm	SK6	1 pc	Stock item	67.10 kg	17.156	21.445

Materials Finishes

Table top	Oak Veneer on both sides and edges
Table legs	Solid Oak

Adjustable gliders installed as standard.

Bevelled table top edge.

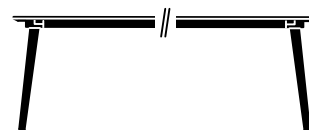


In Between custom made versions

Sami Kallio



2014



Item no.	Product	*Edge material	Size	Lead time	PRICE EX. VAT (SEK)	PRICE INC. VAT (SEK)
20981500	Oak veneer, Forbo Linoleum	Info below	L:90cm, W:90cm, H:73cm	8 weeks	9.148	11.435
20981600	Oak veneer, Forbo Linoleum	Info below	L:160-200cm, W:90cm, H:73cm	8 weeks	16.696	20.870
20981700	Oak veneer, Forbo Linoleum	Info below	L:201-250cm, W:100cm, H:73cm	8 weeks	21.160	26.450
20983000	Oak veneer, Forbo Linoleum	Info below	Ø:81-90cm, H:73cm (3 legs)	8 weeks	8.576	10.720
20983100	Oak veneer, Forbo Linoleum	Info below	Ø:91-100cm, H:73cm (3 legs)	8 weeks	10.864	13.580
20983200	Oak veneer, Forbo Linoleum	Info below	Ø:101-110cm, H:73cm (4 legs)	8 weeks	11.436	14.295
20983300	Oak veneer, Forbo Linoleum	Info below	Ø:111-120cm, H:73cm (4 legs)	8 weeks	12.580	15.725
20983400	Oak veneer, Forbo Linoleum	Info below	Ø:121-130cm, H:73cm (4 legs)	8 weeks	14.980	18.725
20983500	Oak veneer, Forbo Linoleum	Info below	Ø:131-140cm, H:73cm (4 legs)	8 weeks	17.268	21.585
20983600	Oak veneer, Forbo Linoleum	Info below	Ø:141-150cm, H:73cm (4 legs)	8 weeks	18.528	23.160
20981501	Fenix NTM nano laminate	Info below	L:90cm, W:90cm, H:73cm	8 weeks	10.292	12.865
20981601	Fenix NTM nano laminate	Info below	L:160-200cm, W:90cm, H:73cm	8 weeks	17.840	22.300
20981701	Fenix NTM nano laminate	Info below	L:201-250cm, W:100cm, H:73cm	8 weeks	22.304	27.880
20983001	Fenix NTM nano laminate	Info below	Ø:81-90cm, H:73cm (3 legs)	8 weeks	9.604	12.005
20983101	Fenix NTM nano laminate	Info below	Ø:91-100cm, H:73cm (3 legs)	8 weeks	12.008	15.010
20983201	Fenix NTM nano laminate	Info below	Ø:101-110cm, H:73cm (4 legs)	8 weeks	12.580	15.725
20983301	Fenix NTM nano laminate	Info below	Ø:111-120cm, H:73cm (4 legs)	8 weeks	13.724	17.155
20983401	Fenix NTM nano laminate	Info below	Ø:121-130cm, H:73cm (4 legs)	8 weeks	16.124	20.155
20983501	Fenix NTM nano laminate	Info below	Ø:131-140cm, H:73cm (4 legs)	8 weeks	18.412	23.015
20983601	Fenix NTM nano laminate	Info below	Ø:141-150cm, H:73cm (4 legs)	8 weeks	19.672	24.590
30310020	Cut out for cable management			6-8 weeks	568	710
30310021	Cable access set / Black			6-8 weeks	2.968	3.710
30310022	Cable access set / Silver			6-8 weeks	2.968	3.710

*Please note that the cable access is not preinstalled upon delivery

Table top materials

Oak Veneer
Forbo Linoleum
Fenix NTM nano laminate

Finishes and colours

Smoked, Clear or Black Lacquered
Black (4023), Grey (4132), Beige (4176)
Black (0720), White (0029),
Grey (0724), Beige (0719)

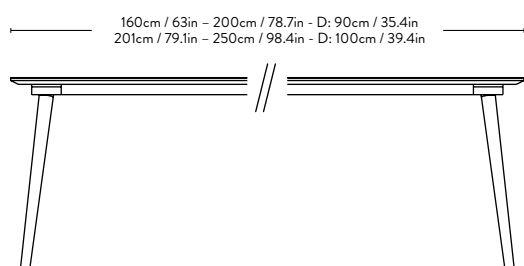
Material: Solid oak legs, MDF table top with either oak veneer, linoleum or laminate.

***Edge material:** Matching ABS, Clear Lacquered Oak, Black Lacquered Oak or Smoked Lacquered Oak. Veneer table tops will have veneer edges. Linoleum and Laminate table tops will have matching ABS edges.

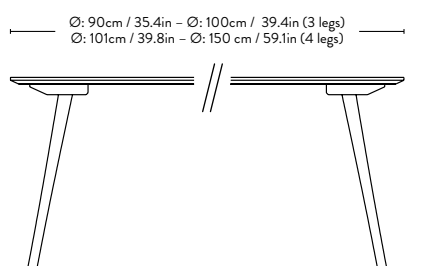
Legs: Choose between: Clear Lacquered oak, Smoked Lacquered or Black Lacquered Oak.

Adjustable gliders installed as standard.

Bevelled table top edge.

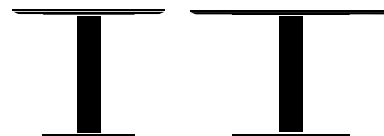


SK



SK

In Between ^{SK11 & SK12} Sami Kallio 2014



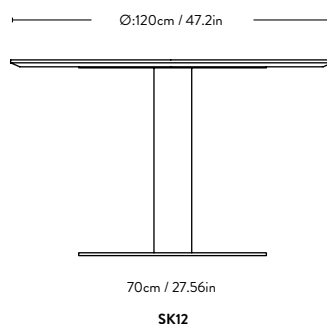
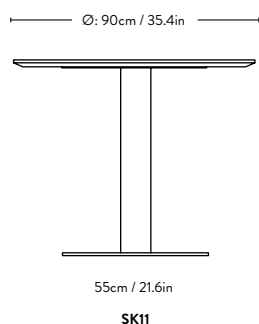
Item no.	Product	Size	Base	Model	Colli qty.	Lead time	Weight	PRICE EX. VAT (SEK)	PRICE INC. VAT (SEK)
20982000	Smoked Oiled Oak	Ø90cm	Black	SK11	1 pc	Stock item	46.60 kg	9.144	11.430
20982001			Bronzed	SK11	1 pc	Stock item	46.60 kg	9.144	11.430
20982092	White Oiled Oak	Ø90cm	Black	SK11	1 pc	Stock item	46.60 kg	9.144	11.430
20982093			Bronzed	SK11	1 pc	Stock item	46.60 kg	9.144	11.430
20982094	Black Lacquered Oak	Ø90cm	Black	SK11	1 pc	Stock item	46.60 kg	9.144	11.430
20982095			Bronzed	SK11	1 pc	Stock item	46.60 kg	9.144	11.430
20982096	Oiled Walnut	Ø90cm	Black	SK11	1 pc	Stock item	46.60 kg	14.864	18.580
20982097			Bronzed	SK11	1 pc	Stock item	46.60 kg	14.864	18.580
20982100	Smoked Oiled Oak	Ø120cm	Black	SK12	1 pc	Stock item	68.50 kg	14.868	18.585
20982101			Bronzed	SK12	1 pc	Stock item	68.50 kg	14.868	18.585
20982192	White Oiled Oak	Ø120cm	Black	SK12	1 pc	Stock item	68.50 kg	14.868	18.585
20982193			Bronzed	SK12	1 pc	Stock item	68.50 kg	14.868	18.585
20982194	Black Lacquered Oak	Ø120cm	Black	SK12	1 pc	Stock item	68.50 kg	14.868	18.585
20982195			Bronzed	SK12	1 pc	Stock item	68.50 kg	14.868	18.585
20982196	Oiled Walnut	Ø120cm	Black	SK12	1 pc	Stock item	68.50 kg	22.872	28.590
20982197			Bronzed	SK12	1 pc	Stock item	68.50 kg	22.872	28.590

Materials **Finishes and colours**

Table top Solid Oak, Solid Walnut
Center base Matt Black, Bronzed Metal

Felt gliders installed as standard.

Bevelled table top edge.



In Between custom made versions

Sami Kallio

2014



Item code	Table top	Model	Size	Lead time	PRICE EX. VAT (SEK)	PRICE INC. VAT (SEK)
20940100	Oak veneer, Forbo Linoleum	Info below	L:60cm, W:70cm, H:73cm	8 weeks	6.288	7.860
20941500	Oak veneer, Forbo Linoleum	Info below	L:90cm, W:90cm, H:73cm	8 weeks	9.148	11.435
20940300	Oak veneer, Forbo Linoleum	Info below	L:120cm, W:60cm, H:73cm**	8 weeks	10.520	13.150
20940400	Oak veneer, Forbo Linoleum	Info below	L:140cm, W:70cm, H:73cm**	8 weeks	11.548	14.435
20941600	Oak veneer, Forbo Linoleum	Info below	L:160-200cm, W:90cm, H:73cm**	8 weeks	17.156	21.445
20941700	Oak veneer, Forbo Linoleum	Info below	L:201-250cm, W:100cm, H:73cm**	8 weeks	21.160	26.450
20940800	Oak veneer, Forbo Linoleum	Info below	L:60cm, W:70cm, H:102cm	8 weeks	6.520	8.150
20940500	Oak veneer, Forbo Linoleum	Info below	L:120cm, W:60cm, H:102cm**	8 weeks	10.984	13.730
20940600	Oak veneer, Forbo Linoleum	Info below	L:140cm, W:70cm, H:102cm**	8 weeks	12.012	15.015
20940700	Oak veneer, Forbo Linoleum	Info below	Ø:60-70cm, H:102cm	8 weeks	6.520	8.150
20940200	Oak veneer, Forbo Linoleum	Info below	Ø:60-70cm, H:73cm	8 weeks	6.288	7.860
20943000	Oak veneer, Forbo Linoleum	Info below	Ø:80-90cm, H:73cm	8 weeks	9.148	11.435
20943100	Oak veneer, Forbo Linoleum	Info below	Ø:91-100cm, H:73cm	8 weeks	10.864	13.580
20943200	Oak veneer, Forbo Linoleum	Info below	Ø:101-110cm, H:73cm	8 weeks	11.436	14.295
20943300	Oak veneer, Forbo Linoleum	Info below	Ø:111-120cm, H:73cm	8 weeks	12.580	15.725
20943400	Oak veneer, Forbo Linoleum	Info below	Ø:121-130cm, H:73cm	8 weeks	14.868	18.585
20943500	Oak veneer, Forbo Linoleum	Info below	Ø:131-140cm, H:73cm	8 weeks	17.156	21.445
20943600	Oak veneer, Forbo Linoleum	Info below	Ø:141-150cm, H:73cm	8 weeks	18.300	22.875

Materials

Finishes and colours

MDF Table top

Oak Veneer in Smoked, Clear or Black Lacquer.
Forbo Linoleum in Black (4023), Grey (4132), Beige (4176).

Center base

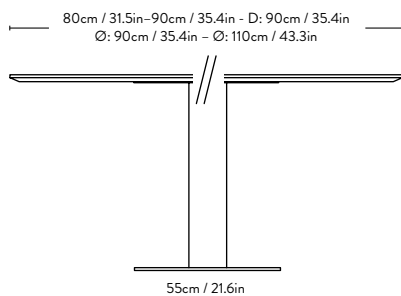
Matt Black, Bronzed Metal

***Edge material:** Matching ABS, Clear Lacquered Oak, Black Lacquered Oak or Smoked Lacquered Oak. Veneer table tops will have veneer edges.
Linoleum and Laminate table tops will have matching ABS edges.

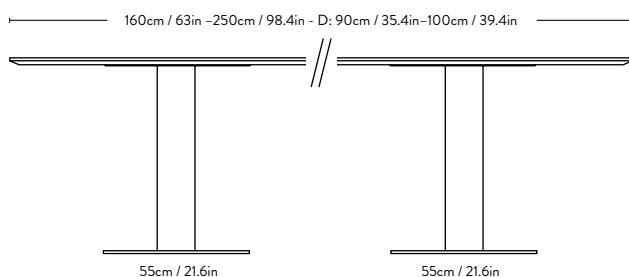
**Produced with two columns.

Felt gliders installed as standard.

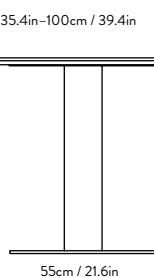
Bevelled table top edge.



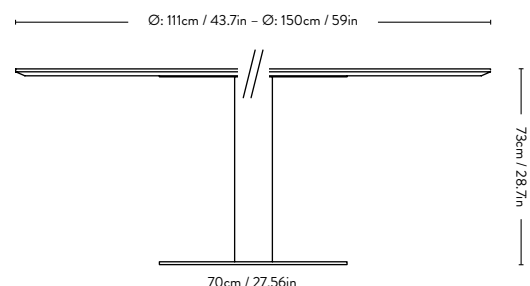
SK



SK



SK



SK

In Between custom made versions

Sami Kallio

2014



Item no.	Product	Model	Base	Lead time	PRICE EX. VAT (SEK)	PRICE INC. VAT (SEK)
20940101	Fenix NTM nano laminate	Info below	L:60cm, W:70cm, H:73cm	8 weeks	6.516	8.145
20941501	Fenix NTM nano laminate	Info below	L:90cm, W:90cm, H:73cm	8 weeks	10.292	12.865
20940301	Fenix NTM nano laminate	Info below	L:120cm, W:60cm, H:73cm**	8 weeks	10.292	12.865
20940401	Fenix NTM nano laminate	Info below	L:140cm, W:70cm, H:73cm**	8 weeks	11.320	14.150
20941601	Fenix NTM nano laminate	Info below	L:160-200cm, W:90cm, H:73cm**	8 weeks	18.300	22.875
20941701	Fenix NTM nano laminate	Info below	L:201-250cm, W:100cm, H:73cm**	8 weeks	22.304	27.880
20940801	Fenix NTM nano laminate	Info below	L:60cm, W:70cm, H:102cm	8 weeks	6.748	8.435
20940501	Fenix NTM nano laminate	Info below	L:120cm, W:60cm, H:102cm**	8 weeks	10.756	13.445
20940601	Fenix NTM nano laminate	Info below	L:140cm, W:70cm, H:102cm**	8 weeks	11.784	14.730
20940701	Fenix NTM nano laminate	Info below	Ø:60-70cm, H:102cm	8 weeks	6.748	8.435
20940201	Fenix NTM nano laminate	Info below	Ø:60-70cm, H:73cm	8 weeks	6.516	8.145
20943001	Fenix NTM nano laminate	Info below	Ø:80-90cm, H:73cm	8 weeks	9.720	12.150
20943101	Fenix NTM nano laminate	Info below	Ø:91-100cm, H:73cm	8 weeks	12.008	15.010
20943201	Fenix NTM nano laminate	Info below	Ø:101-110cm, H:73cm	8 weeks	12.580	15.725
20943301	Fenix NTM nano laminate	Info below	Ø:111-120cm, H:73cm	8 weeks	13.724	17.155
20943401	Fenix NTM nano laminate	Info below	Ø:121-130cm, H:73cm	8 weeks	16.012	20.015
20943501	Fenix NTM nano laminate	Info below	Ø:131-140cm, H:73cm	8 weeks	18.300	22.875
20943601	Fenix NTM nano laminate	Info below	Ø:141-150cm, H:73cm	8 weeks	19.444	24.305

Materials

Finishes and colours

MDF Table top Fenix NTM nano laminate in Black (0720), White (0029), Grey (0724), Beige (0719).

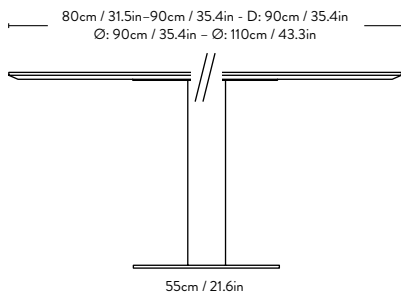
Center base Matt Black, Bronzed Metal

*Edge material: Matching ABS, Clear Lacquered Oak, Black Lacquered Oak or Smoked Lacquered Oak. Veneer table tops will have veneer edges.
Linoleum and Laminate table tops will have matching ABS edges.

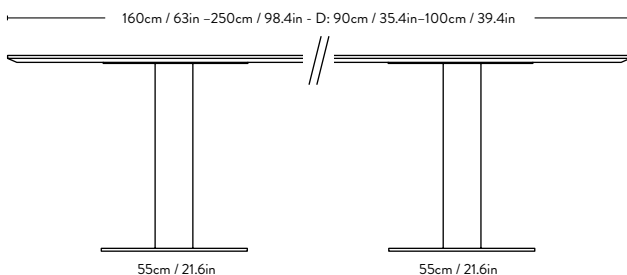
**Produced with two columns.

Felt gliders installed as standard.

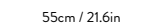
Bevelled table top edge.



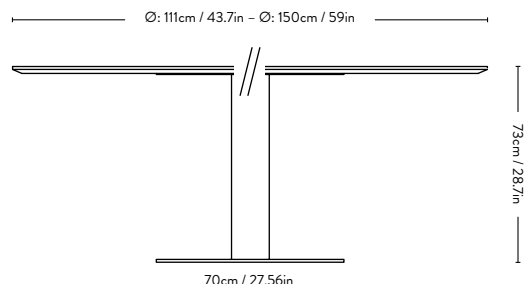
SK



SK

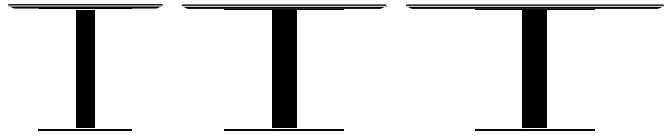


SK



SK

In Between ^{SK16-SK21} Sami Kallio 2014



Item no.	Product	Size	Base	Model	Colli qty.	Lead time	Weight	PRICE EX. VAT (SEK)	PRICE INC. VAT (SEK)
20920194	Nero Marquina	60x70cm	Black	SK16	1 pc	Stock item	45.50 kg	8.004	10.005
20920195			Bronzed	SK16	1 pc	Stock item	45.50 kg	8.004	10.005
20920130	Bianco Carrara	60x70cm	Black	SK16	1 pc	Stock item	45.50 kg	8.004	10.005
20920131			Bronzed	SK16	1 pc	Stock item	45.50 kg	8.004	10.005
20920394	Nero Marquina	Ø90cm	Black	SK18	1 pc	Stock item	71.00 kg	12.580	15.725
20920395			Bronzed	SK18	1 pc	Stock item	71.00 kg	12.580	15.725
20920330	Bianco Carrara	Ø90cm	Black	SK18	1 pc	Stock item	45.50 kg	12.580	15.725
20920331			Bronzed	SK18	1 pc	Stock item	45.50 kg	12.580	15.725
20920494	Nero Marquina	Ø120cm	Black	SK19	1 pc	Stock item	117.00 kg	20.588	25.735
20920495			Bronzed	SK19	1 pc	Stock item	117.00 kg	20.588	25.735
20920430	Bianco Carrara	Ø120cm	Black	SK19	1 pc	Stock item	117.00 kg	20.588	25.735
20920431			Bronzed	SK19	1 pc	Stock item	117.00 kg	20.588	25.735
20920594	Nero Marquina	Ø150cm	Black	SK20	1 pc	Stock item	152.00 kg	31.456	39.320
20920595			Bronzed	SK20	1 pc	Stock item	152.00 kg	31.456	39.320
20920530	Bianco Carrara	Ø150cm	Black	SK20	1 pc	Stock item	152.00 kg	31.456	39.320
20920531			Bronzed	SK20	1 pc	Stock item	152.00 kg	31.456	39.320
20920694	Nero Marquina	60x70cm - Bar table	Black	SK21	1 pc	Stock item	46.50 kg	8.236	10.295
20920695			Bronzed	SK21	1 pc	Stock item	46.50 kg	8.236	10.295
20920630	Bianco Carrara	60x70cm - Bar table	Black	SK21	1 pc	Stock item	46.50 kg	8.236	10.295
20920631			Bronzed	SK21	1 pc	Stock item	46.50 kg	8.236	10.295

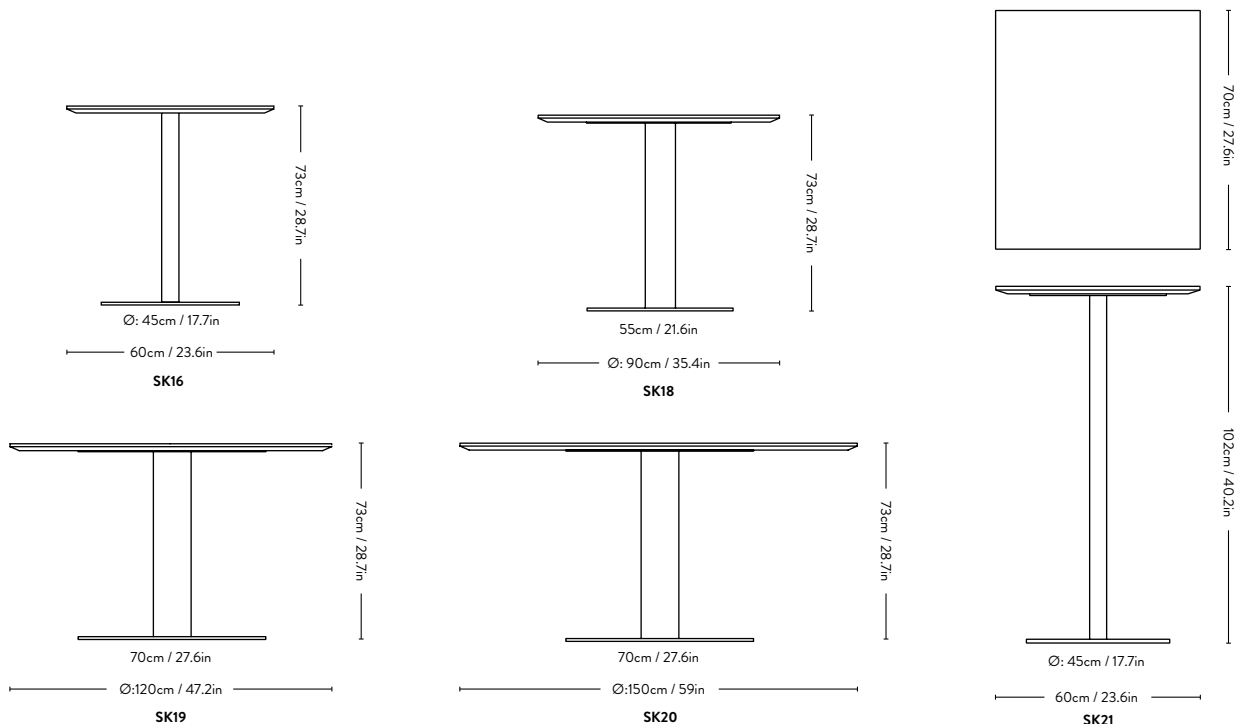
Felt gliders installed as standard.

Bevelled table top edge.

Polyester marble coating available with a 45% upcharge and with 6-8 weeks leadtime.

Materials Colour

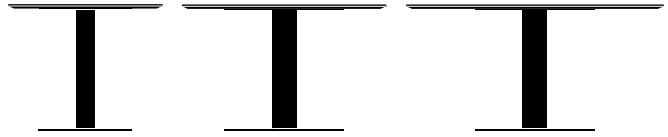
Table top Nero Marquina, Bianco Carrara
Center base Black, Bronzed metal



In Between custom made versions

Sami Kallio

2014



Item no.	Product	Table top size	Center base size	Base	Lead time	PRICE EX. VAT (SEK)	PRICE INC. VAT (SEK)
20920100	Nero Marquina, Bianco Carrara	Ø60cm	Ø45cm / 5cm	Black, Bronzed	6-8 weeks	8.004	10.005
20920200	Nero Marquina, Bianco Carrara	Ø70cm	Ø45cm / 5cm	Black, Bronzed	6-8 weeks	9.148	11.435
20920300	Nero Marquina, Bianco Carrara	Ø80cm	Ø55cm / 10cm	Black, Bronzed	6-8 weeks	10.864	13.580
20920400	Nero Marquina, Bianco Carrara	Ø100cm	Ø55cm / 10cm	Black, Bronzed	6-8 weeks	13.724	17.155
20920500	Nero Marquina, Bianco Carrara	Ø110cm	Ø55cm / 10cm	Black, Bronzed	6-8 weeks	15.440	19.300
20920600	Nero Marquina, Bianco Carrara	Ø130cm	Ø70cm / 14cm	Black, Bronzed	6-8 weeks	24.020	30.025
20920700	Nero Marquina, Bianco Carrara	Ø140cm	Ø70cm / 14cm	Black, Bronzed	6-8 weeks	27.452	34.315
20920800	Nero Marquina, Bianco Carrara	80x80cm	Ø70cm / 14cm	Black, Bronzed	6-8 weeks	10.864	13.580

Materials Colour

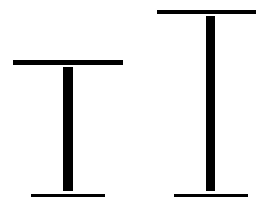
Table top	Nero Marquina, Bianco Carrara
Center base	Black, Bronzed metal

Felt gliders installed as standard.

Bevelled table top edge.

Polyester marble coating available with a 45% upcharge.

In Between SK16-SK17 & SK21-SK22 Sami Kallio 2014



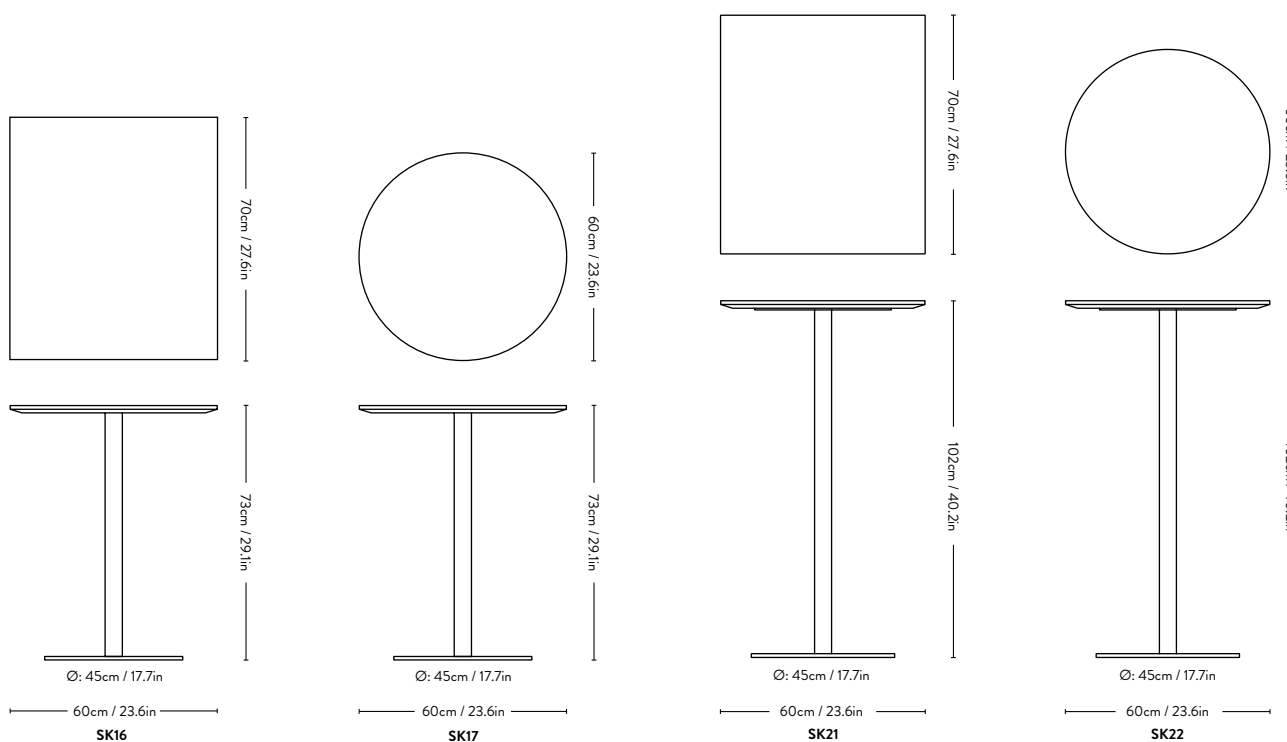
Item no.	Product	Size	Base	Model	Colli qty.	Lead time	Weight	PRICE EX. VAT (SEK)	PRICE INC. VAT (SEK)
20946094	Black Fenix Nano Laminate	60x70cm	Black	SK16	1 pc	Stock item	21.00 kg	5.372	6.715
20946096			Bronzed	SK16	1 pc	Stock item	21.00 kg	5.372	6.715
20946194	Black Fenix Nano Laminate	Ø60cm	Black	SK17	1 pc	Stock item	21.00 kg	5.372	6.715
20946195			Bronzed	SK17	1 pc	Stock item	21.00 kg	5.372	6.715
20946594	Black Fenix Nano Laminate	60x70cm - Bar table	Black	SK21	1 pc	Stock item	22.00 kg	5.604	7.005
20946595			Bronzed	SK21	1 pc	Stock item	22.00 kg	5.604	7.005
20946694	Black Fenix Nano Laminate	Ø60cm - Bar table	Black	SK22	1 pc	Stock item	22.00 kg	5.604	7.005
20946695			Bronzed	SK22	1 pc	Stock item	22.00 kg	5.604	7.005

Materials Colour

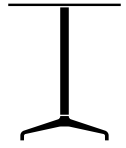
Table top Fenix Nano Laminate
Center base Black, Bronzed metal

Felt gliders installed as standard.

Bevelled table top edge.



Rely ^{ATD4 & ATD5} & Tradition 2022

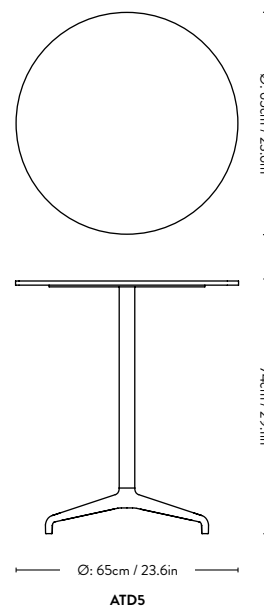
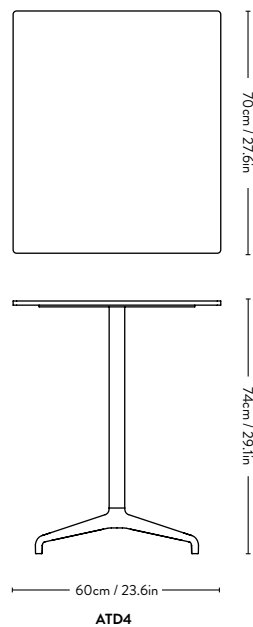


Item no.	Product	Colour	Model	Colli qty.	Lead time	Weight	PRICE EX. VAT (SEK)	PRICE INC. VAT (SEK)
17910000	Rely Table 60x70 cm	Black	ATD4	1 pc	Stock item	13.38 kg	5.116	6.395
17910001	Rely Table Ø65 cm	Black	ATD5	1 pc	Stock item	11.8 kg	5.116	6.395

Material: Aluminum, steel, compact laminate.

Suitable for outdoor use.

Black outdoor powder coating UV-resistant.



Patch ^{HW1} Hee Welling 2020



Item no.	Product	Model	Colli qty.	Lead time	Weight	PRICE EX. VAT (SEK)	PRICE INC. VAT (SEK)
20930092	Oiled Oak w. Fenix 0748 Beige Arizona & Brass	HW1	1 pc	Stock item	73.50 kg	26.308	32.885
20930000	Smoked Oak w. Fenix 0718 Griogio Londra & Brass	HW1	1 pc	Stock item	73.50 kg	26.308	32.885
20930096	Walnut w. Fenix 0749 Cacao Orinoco & Brass	HW1	1 pc	Stock item	73.50 kg	29.740	37.175

Frame **Table top**

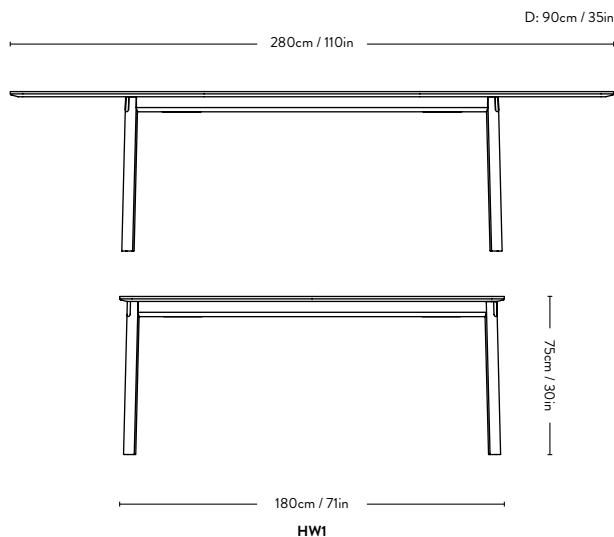
Solid wood Fenix NTM nano laminate

Frame **Edges**

Oak Oiled Oak, Smoked Oiled Oak
Walnut Oiled Walnut

Material: Nano laminated MDF tabletop. Extension leaves with veneered and chamfered edges. Solid wood frame and legs.

Brass fittings.



Patch ^{HW2} Hee Welling 2020



Item no.	Product	Model	Colli qty.	Lead time	Weight	PRICE EX. VAT (SEK)	PRICE INC. VAT (SEK)
20930192	Oiled Oak w. Fenix 0748 Beige Arizona & Brass	HW2	1 pc	Stock item	89.50 kg	28.596	35.745
20930100	Smoked Oak w. Fenix 0718 Griogio Londra & Brass	HW2	1 pc	Stock item	89.50 kg	28.596	35.745
20930196	Walnut w. Fenix 0749 Cacao Orinoco & Brass	HW2	1 pc	Stock item	89.50 kg	32.028	40.035

Frame **Table top**

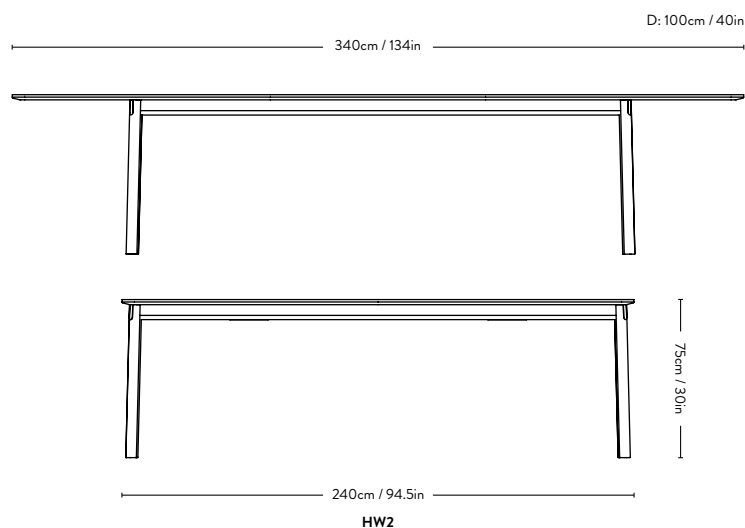
Solid wood Fenix NTM nano laminate

Frame **Edges**

Oak Oiled Oak, Smoked Oiled Oak
Walnut Oiled Walnut

Material: Nano laminated MDF tabletop. Extension leaves with veneered and chamfered edges. Solid wood frame and legs.

Brass fittings.



Drip HW58

Hee Welling

2021



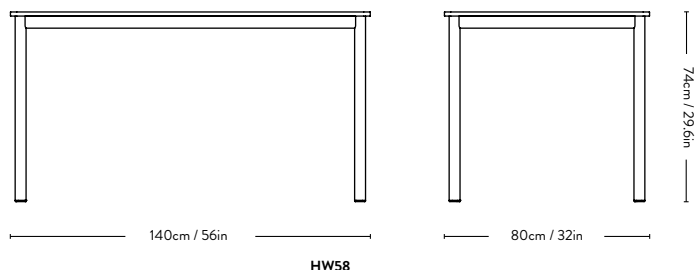
Item no.	Table top	Size	Base	Model	Colli qty.	Lead time	Weight	PRICE EX. VAT (SEK)	PRICE INC. VAT (SEK)
18001101 18001106	Nero Ingo Fenix Nano Laminate (0720)	140 x 80cm	Black Bronzed	HW58	1 pc	Stock item	25.00 kg	10.292	12.865
18001105 18001107	Bianco Male Fenix Nano Laminate (0029)	140 x 80cm	Black Bronzed	HW58	1 pc	Stock item	25.00 kg	10.292	12.865
18001150 18001156	Smokey Blue Forbo Linoleum (4179) & Dark Blue Ostermann (043.5984), Glossy Edge NEW	140 x 80cm	Black Bronzed	HW58	1 pc	10 -12 weeks	25.00 kg	11.436	14.295
18001151 18001157	Pearl Forbo Linoleum (4157) & Soft Yellow Rehau (78162), Glossy Edge NEW	140 x 80cm	Black Bronzed	HW58	1 pc	10 -12 weeks	25.00 kg	11.436	14.295
18001111 18001112	Burgundy Forbo Linoleum (4154) & Red Ostermann (043.4110), Glossy Edge NEW	140 x 80cm	Black Bronzed	HW58	1 pc	10 -12 weeks	25.00 kg	11.436	14.295
18001152 18001158	Castoro Ottawa Fenix Nano Laminate (0720) & Light Brown Rehau (V1272), Glossy Edge NEW	140 x 80cm	Black Bronzed	HW58	1 pc	10 -12 weeks	25.00 kg	11.436	14.295
18001153 18001159	Cacao Orinoco Fenix Nano Laminate (0749) & Grey Brown Rehau (71038), Glossy Edge NEW	140 x 80cm	Black Bronzed	HW58	1 pc	10 -12 weeks	25.00 kg	11.436	14.295
18001154 18001160	Verde Comodoro Fenix Nano Laminate (0750) & Grey Rehau (97959), Glossy Edge NEW	140 x 80cm	Black Bronzed	HW58	1 pc	10 -12 weeks	25.00 kg	11.436	14.295
18001155 18001161	Azzurro Naxos Fenix Nano Laninate (0771) & Light Blue Rehau (77193), Glossy Edge NEW	140 x 80cm	Black Bronzed	HW58	1 pc	10 -12 weeks	25.00 kg	11.436	14.295
18001121	Linoleum - all colours	140 x 80cm	Black Bronzed	HW58	1 pc	10 -12 weeks	25.00 kg	11.436	14.295
18001131	Nano Laminate - all colours	140 x 80cm	Black Bronzed	HW58	1 pc	10 -12 weeks	25.00 kg	11.436	14.295
18001141	Veneer - oak or walnut	140 x 80cm	Black Bronzed	HW58	1 pc	10 -12 weeks	25.00 kg	11.436	14.295
30310020	Cut out for cable management					10 -12 weeks		568	710
30310021	Cable access set / Black					10 -12 weeks		2.968	3.710
30310022	Cable access set / Silver					10 -12 weeks		2.968	3.710

Material: Aluminium base, MDF tabletop with Fenix Nano laminate, Forbo linoleum or wood veneer.

Nero Ingo & Bianco Male is produced with a matching high gloss edgeband.

All other colours are produced with a matching ABS edge band. Wood veneer is produced with a matching edge band.

All table tops and edgebands can be mixed and matched
 Plastic gliders installed as standard.
 Castors are available upon request.



Drip ^{HW59} Hee Welling 2021



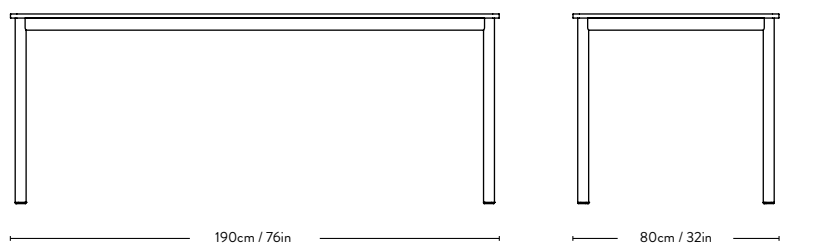
Item no.	Table top	Size	Base	Model	Colli qty.	Lead time	Weight	PRICE EX. VAT (SEK)	PRICE INC. VAT (SEK)
18001201 18001206	Nero Ingo Fenix Nano Laminate (0720)	190 x 80cm	Black Bronzed	HW59	1 pc	Stock item	32.50 kg	11.436 11.436	14.295 14.295
18001205 18001207	Bianco Male Fenix Nano Laminate (0029)	190 x 80cm	Black Bronzed	HW59	1 pc	Stock item	32.50 kg	11.436 11.436	14.295 14.295
18001250 18001256	Smokey Blue Forbo Linoleum (4179) & Dark Blue Ostermann (043.5984), Glossy Edge NEW	190 x 80cm	Black Bronzed	HW59	1 pc	10 -12 weeks	32.50 kg	14.868 14.868	18.585 18.585
18001251 18001257	Pearl Forbo Linoleum (4157) & Soft Yellow Rehau (78162), Glossy Edge NEW	190 x 80cm	Black Bronzed	HW59	1 pc	10 -12 weeks	32.50 kg	14.868 14.868	18.585 18.585
18001211 18001212	Burgundy Forbo Linoleum (4154) & Red Ostermann (043.4110), Glossy Edge NEW	190 x 80cm	Black Bronzed	HW59	1 pc	10 -12 weeks	32.50 kg	14.868 14.868	18.585 18.585
18001252 18001258	Castoro Ottawa Fenix Nano Laminate (0720) & Light Brown Rehau (V1272), Glossy Edge NEW	190 x 80cm	Black Bronzed	HW59	1 pc	10 -12 weeks	32.50 kg	14.868 14.868	18.585 18.585
18001253 18001259	Cacao Orinoco Fenix Nano Laminate (0749) & Grey Brown Rehau (71038), Glossy Edge NEW	190 x 80cm	Black Bronzed	HW59	1 pc	10 -12 weeks	32.50 kg	14.868 14.868	18.585 18.585
18001254 18001260	Verde Comodoro Fenix Nano Laminate (0750) & Grey Rehau (97959), Glossy Edge NEW	190 x 80cm	Black Bronzed	HW59	1 pc	10 -12 weeks	32.50 kg	14.868 14.868	18.585 18.585
18001255 18001261	Azurro Naxos Fenix Nano Laninate (0771) & Light Blue Rehau (77193), Glossy Edge NEW	190 x 80cm	Black Bronzed	HW59	1 pc	10 -12 weeks	32.50 kg	14.868 14.868	18.585 18.585
18001221	Linoleum - all colours	190 x 80cm	Black Bronzed	HW59	1 pc	10 -12 weeks	32.50 kg	14.868 14.868	18.585 18.585
18001231	Nano Laminate - all colours	190 x 80cm	Black Bronzed	HW59	1 pc	10 -12 weeks	32.50 kg	14.868 14.868	18.585 18.585
18001241	Veneer - oak or walnut	190 x 80cm	Black Bronzed	HW59	1 pc	10 -12 weeks	32.50 kg	14.868 14.868	18.585 18.585
30310020	Cut out for cable management					10 -12 weeks		568	710
30310021	Cable access set / Black					10 -12 weeks		2.968	3.710
30310022	Cable access set / Silver					10 -12 weeks		2.968	3.710

Material: Aluminium base, MDF tabletop with Fenix Nano laminate, Forbo linoleum or wood veneer.

Nero Ingo & Bianco Male is produced with a matching high gloss edgeband.

All other colours are produced with a matching ABS edge band. Wood veneer is produced with a matching edge band.

All table tops and edgebands can be mixed and matched
Plastic gliders installed as standard.
Castors are available upon request.



HW59

Drip HW60 Hee Welling 2021



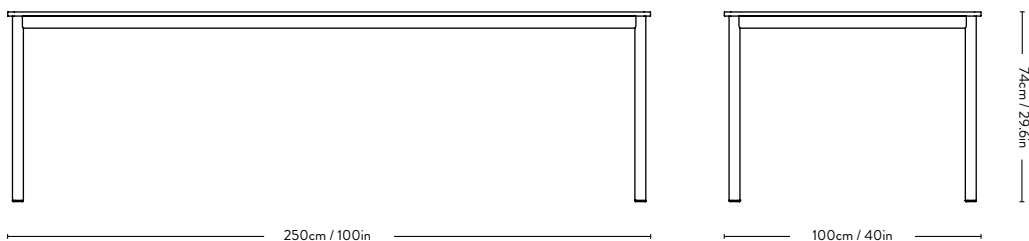
Item no.	Table top	Size	Base	Model	Colli qty.	Lead time	Weight	PRICE EX. VAT (SEK)	PRICE INC. VAT (SEK)
18001301 18001306	Nero Ingo Fenix Nano Laminate (0720)	250 x 100 cm	Black Bronzed	HW60	1 pc	Stock item	49.00 kg	14.296 14.296	17.870 17.870
18001305 18001307	Bianco Male Fenix Nano Laminate (0029)	250 x 100 cm	Black Bronzed	HW60	1 pc	Stock item	49.00 kg	14.296 14.296	17.870 17.870
18001350 18001356	Smokey Blue Forbo Linoleum (4179) & Dark Blue Ostermann (043.5984), Glossy Edge NEW	250 x 100 cm	Black Bronzed	HW60	1 pc	10 -12 weeks	49.00 kg	17.156 17.156	21.445 21.445
18001351 18001357	Pearl Forbo Linoleum (4157) & Soft Yellow Rehau (78162), Glossy Edge NEW	250 x 100 cm	Black Bronzed	HW60	1 pc	10 -12 weeks	49.00 kg	17.156 17.156	21.445 21.445
18001311 18001312	Burgundy Forbo Linoleum (4154) & Red Ostermann (043.4110), Glossy Edge NEW	250 x 100 cm	Black Bronzed	HW60	1 pc	10 -12 weeks	49.00 kg	17.156 17.156	21.445 21.445
18001352 18001358	Castoro Ottawa Fenix Nano Laminate (0720) & Light Brown Rehau (V1272), Glossy Edge NEW	250 x 100 cm	Black Bronzed	HW60	1 pc	10 -12 weeks	49.00 kg	17.156 17.156	21.445 21.445
18001353 18001359	Cacao Orinoco Fenix Nano Laminate (0749) & Grey Brown Rehau (71038), Glossy Edge NEW	250 x 100 cm	Black Bronzed	HW60	1 pc	10 -12 weeks	49.00 kg	17.156 17.156	21.445 21.445
18001354 18001360	Verde Comodoro Fenix Nano Laminate (0750) & Grey Rehau (97959), Glossy Edge NEW	250 x 100 cm	Black Bronzed	HW60	1 pc	10 -12 weeks	49.00 kg	17.156 17.156	21.445 21.445
18001355 18001361	Azzurro Naxos Fenix Nano Laninate (0771) & Light Blue Rehau (77193), Glossy Edge NEW	250 x 100 cm	Black Bronzed	HW60	1 pc	10 -12 weeks	49.00 kg	17.156 17.156	21.445 21.445
18001321	Linoleum - all colours	250 x 100 cm	Black Bronzed	HW60	1 pc	10 -12 weeks	49.00 kg	17.156 17.156	21.445 21.445
18001331	Nano Laminate - all colours	250 x 100 cm	Black Bronzed	HW60	1 pc	10 -12 weeks	49.00 kg	17.156 17.156	21.445 21.445
18001341	Veneer - oak or walnut	250 x 100 cm	Black Bronzed	HW60	1 pc	10 -12 weeks	49.00 kg	17.156 17.156	21.445 21.445
30310020	Cut out for cable management					10 -12 weeks		568	710
30310021	Cable access set / Black					10 -12 weeks		2.968	3.710
30310022	Cable access set / Silver					10 -12 weeks		2.968	3.710

Material: Aluminium base, MDF tabletop with Fenix Nano laminate, Forbo linoleum or wood veneer.

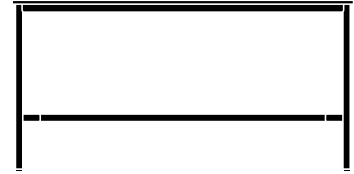
Nero Ingo & Bianco Male is produced with a matching high gloss edgeband.

All other colours are produced with a matching ABS edge band. Wood veneer is produced with a matching edge band.

All table tops and edgebands can be mixed and matched
Plastic gliders installed as standard.
Castors are available upon request.



Drip HW61 Hee Welling 2021



Item code	Table top	Size	Model	Base	Colli qty.	Lead time	Weight	PRICE EX. VAT (SEK)	PRICE INC. VAT (SEK)
18001401 18001406	Nero Ingo Fenix Nano Laminate (0720)	190 x 50 x 95 cm	HW61	Black Bronzed	1 pc	Stock item	26.80 kg	16.012 16.012	20.015 20.015
18001405 18001407	Bianco Male Fenix Nano Laminate (0029)	190 x 50 x 95 cm	HW61	Black Bronzed	1 pc	Stock item	26.80 kg	16.012 16.012	20.015 20.015
18001450 18001456	Smokey Blue Forbo Linoleum (4179) & Dark Blue Ostermann (043.5984), Glossy Edge NEW	190 x 50 x 95 cm	HW61	Black Bronzed	1 pc	10 -12 weeks	26.80 kg	17.156 17.156	21.445 21.445
18001451 18001457	Pearl Forbo Linoleum (4157) & Soft Yellow Rehau (78162), Glossy Edge NEW	190 x 50 x 95 cm	HW61	Black Bronzed	1 pc	10 -12 weeks	26.80 kg	17.156 17.156	21.445 21.445
18001411 18001412	Burgundy Forbo Linoleum (4154) & Red Ostermann (043.4110), Glossy Edge NEW	190 x 50 x 95 cm	HW61	Black Bronzed	1 pc	10 -12 weeks	26.80 kg	17.156 17.156	21.445 21.445
18001452 18001458	Castoro Ottawa Fenix Nano Laminate (0720) & Light Brown Rehau (V1272), Glossy Edge NEW	190 x 50 x 95 cm	HW61	Black Bronzed	1 pc	10 -12 weeks	26.80 kg	18.300 18.300	22.875 22.875
18001453 18001459	Cacao Orinoco Fenix Nano Laminate (0749) & Grey Brown Rehau (71038), Glossy Edge NEW	190 x 50 x 95 cm	HW61	Black Bronzed	1 pc	10 -12 weeks	26.80 kg	18.300 18.300	22.875 22.875
18001454 18001460	Verde Comodoro Fenix Nano Laminate (0750) & Grey Rehau (97959), Glossy Edge NEW	190 x 50 x 95 cm	HW61	Black Bronzed	1 pc	10 -12 weeks	26.80 kg	18.300 18.300	22.875 22.875
18001455 18001461	Azzurro Naxos Fenix Nano Laninate (0771) & Light Blue Rehau (77193), Glossy Edge NEW	190 x 50 x 95 cm	HW61	Black Bronzed	1 pc	10 -12 weeks	26.80 kg	18.300 18.300	22.875 22.875
18001421	Linoleum - all colours	190 x 50 x 95 cm	HW61	Black Bronzed	1 pc	10-12 weeks	26.80 kg	17.156 17.156	21.445 21.445
18001431	Nano Laminate - all colours	190 x 50 x 95 cm	HW61	Black Bronzed	1 pc	10-12 weeks	26.80 kg	18.300 18.300	22.875 22.875
18001441	Wood Veneer - oak or walnut	190 x 50 x 95 cm	HW61	Black Bronzed	1 pc	10-12 weeks	26.80 kg	18.300 18.300	22.875 22.875
30310020	Cut out for cable management					10 -12 weeks		568	710
30310021	Cable pit set / Black					10 -12 weeks		2.968	3.710
30310022	Cable pit set / Silver					10 -12 weeks		2.968	3.710

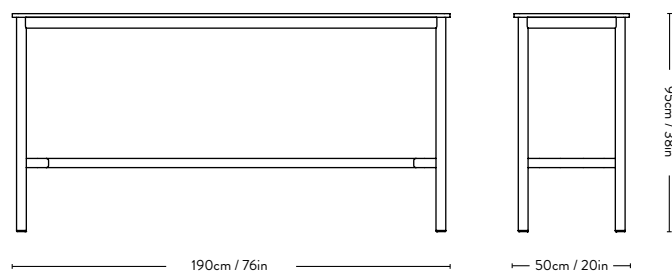
Material: Steel and aluminium base, MDF tabletop with Fenix Nanolaminated, Forbo linoleum or wood veneer.

Nero Ingo & Bianco Male is produced with a matching high gloss edgeband.

All other colours are produced with a matching ABS edge band. Wood veneer is produced with a matching edge band.

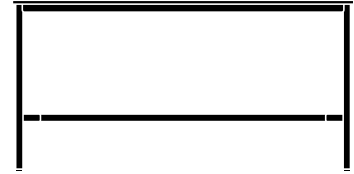
All table tops and edgebands can be mixed and matched

Plastic gliders installed as standard.
Castors are available upon request.



HW61

Drip HW62 Hee Welling 2021



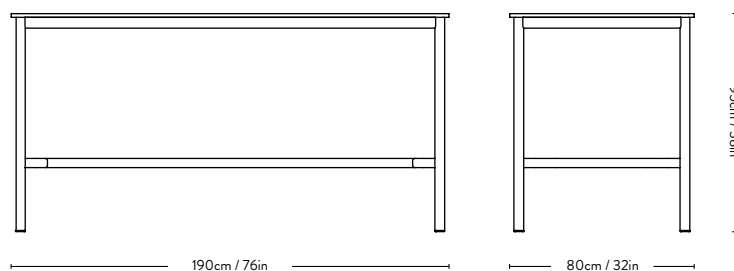
Item code	Table top	Size	Model	Base	Colli qty.	Lead time	Weight	PRICE EX. VAT (SEK)	PRICE INC. VAT (SEK)
18001501 18001506	Nero Ingo Fenix Nano Laminate (0720)	190 x 80 x 95 cm	HW62	Black Bronzed	1 pc	Stock item	36.00 kg	14.868	18.585
18001505 18001507	Bianco Male Fenix Nano Laminate (0029)	190 x 80 x 95 cm	HW62	Black Bronzed	1 pc	Stock item	36.00 kg	14.868	18.585
18001550 18001556	Smokey Blue Forbo Linoleum (4179) & Dark Blue Ostermann (043.5984), Glossy Edge NEW	190 x 80 x 95 cm	HW62	Black Bronzed	1 pc	10 -12 weeks	36.00 kg	18.300	22.875
18001551 18001557	Pearl Forbo Linoleum (4157) & Soft Yellow Rehau (78162), Glossy Edge NEW	190 x 80 x 95 cm	HW62	Black Bronzed	1 pc	10 -12 weeks	36.00 kg	18.300	22.875
18001511 18001512	Burgundy Forbo Linoleum (4154) & Red Ostermann (043.4110), Glossy Edge NEW	190 x 80 x 95 cm	HW62	Black Bronzed	1 pc	10 -12 weeks	36.00 kg	18.300	22.875
18001552 18001558	Castoro Ottawa Fenix Nano Laminate (0720) & Light Brown Rehau (V1272), Glossy Edge NEW	190 x 80 x 95 cm	HW62	Black Bronzed	1 pc	10 -12 weeks	36.00 kg	18.300	22.875
18001553 18001559	Cacao Orinoco Fenix Nano Laminate (0749) & Grey Brown Rehau (71038), Glossy Edge NEW	190 x 80 x 95 cm	HW62	Black Bronzed	1 pc	10 -12 weeks	36.00 kg	18.300	22.875
18001554 18001560	Verde Comodoro Fenix Nano Laminate (0750) & Grey Rehau (97959), Glossy Edge NEW	190 x 80 x 95 cm	HW62	Black Bronzed	1 pc	10 -12 weeks	36.00 kg	18.300	22.875
18001555 18001561	Azurro Naxos Fenix Nano Laninate (0771) & Light Blue Rehau (77193), Glossy Edge NEW	190 x 80 x 95 cm	HW62	Black Bronzed	1 pc	10 -12 weeks	36.00 kg	18.300	22.875
18001521	Linoleum - all colours	190 x 80 x 95 cm	HW62	Black Bronzed	1 pc	10-12 weeks	36.00 kg	18.300	22.875
18001531	Nano Laminate - all colours	190 x 80 x 95 cm	HW62	Black Bronzed	1 pc	10-12 weeks	36.00 kg	18.300	22.875
18001541	Wood Veneer - oak or walnut	190 x 80 x 95 cm	HW62	Black Bronzed	1 pc	10-12 weeks	36.00 kg	18.300	22.875
30310020	Cut out for cable management					10 -12 weeks		568	710
30310021	Cable pit set / Black					10 -12 weeks		2.968	3.710
30310022	Cable pit set / Silver					10 -12 weeks		2.968	3.710

Material: Aluminium base, MDF tabletop with Fenix Nano laminate, Forbo linoleum or wood veneer.

Nero Ingo & Bianco Male is produced with a matching high gloss edgeband.

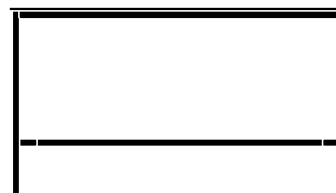
All other colours are produced with a matching ABS edge band. Wood veneer is produced with a matching edge band.

All table tops and edgebands can be mixed and matched
Plastic gliders installed as standard.
Castors are available upon request.



HW62

Drip HW63 Hee Welling 2021



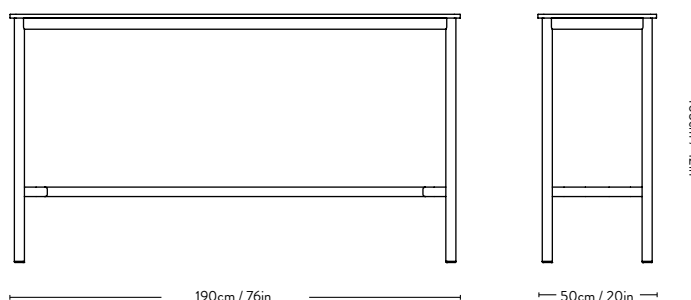
Item code	Table top	Size	Model	Base	Colli qty.	Lead time	Weight	PRICE EX. VAT (SEK)	PRICE INC. VAT (SEK)
18001601 18001606	Nero Ingo Fenix Nano Laminate (0720)	190 x 50 x 105 cm	HW63	Black Bronzed	1 pc	Stock item	28.00 kg	16.012 16.012	20.015 20.015
18001605 18001607	Bianco Male Fenix Nano Laminate (0029)	190 x 50 x 105 cm	HW63	Black Bronzed	1 pc	Stock item	28.00 kg	16.012 16.012	20.015 20.015
18001650 18001656	Smokey Blue Forbo Linoleum (4179) & Dark Blue Ostermann (043.5984), Glossy Edge NEW	190 x 50 x 105 cm	HW63	Black Bronzed	1 pc	10-12 weeks	28.00 kg	17.156 17.156	21.445 21.445
18001651 18001657	Pearl Forbo Linoleum (4157) & Soft Yellow Rehau (78162), Glossy Edge NEW	190 x 50 x 105 cm	HW63	Black Bronzed	1 pc	10-12 weeks	28.00 kg	17.156 17.156	21.445 21.445
18001611 18001612	Burgundy Forbo Linoleum (4154) & Red Ostermann (043.4110), Glossy Edge NEW	190 x 50 x 105 cm	HW63	Black Bronzed	1 pc	10-12 weeks	28.00 kg	17.156 17.156	21.445 21.445
18001652 18001658	Castoro Ottawa Fenix Nano Laminate (0720) & Light Brown Rehau (V1272), Glossy Edge NEW	190 x 50 x 105 cm	HW63	Black Bronzed	1 pc	10-12 weeks	28.00 kg	18.300 18.300	22.875 22.875
18001653 18001659	Cacao Orinoco Fenix Nano Laminate (0749) & Grey Brown Rehau (71038), Glossy Edge NEW	190 x 50 x 105 cm	HW63	Black Bronzed	1 pc	10-12 weeks	28.00 kg	18.300 18.300	22.875 22.875
18001654 18001660	Verde Comodoro Fenix Nano Laminate (0750) & Grey Rehau (97959), Glossy Edge NEW	190 x 50 x 105 cm	HW63	Black Bronzed	1 pc	10-12 weeks	28.00 kg	18.300 18.300	22.875 22.875
18001655 18001661	Azurro Naxos Fenix Nano Laninate (0771) & Light Blue Rehau (77193), Glossy Edge NEW	190 x 50 x 105 cm	HW63	Black Bronzed	1 pc	10-12 weeks	28.00 kg	18.300 18.300	22.875 22.875
18001621	Linoleum - all colours	190 x 50 x 105 cm	HW63	Black Bronzed	1 pc	10-12 weeks	28.00 kg	17.156 17.156	21.445 21.445
18001631	Nano Laminate - all colours	190 x 50 x 105 cm	HW63	Black Bronzed	1 pc	10-12 weeks	28.00 kg	18.300 18.300	22.875 22.875
18001641	Wood Veneer - oak or walnut	190 x 50 x 105 cm	HW63	Black, Bronzed	1 pc	10-12 weeks	28.00 kg	18.300 18.300	22.875 22.875
30310020	Cut out for cable management					10 -12 weeks		568	710
30310021	Cable pit set / Black					10 -12 weeks		2.968	3.710
30310022	Cable pit set / Silver					10 -12 weeks		2.968	3.710

Material: Aluminium base, MDF tabletop with Fenix Nano laminate, Forbo linoleum or wood veneer.

Nero Ingo & Bianco Male is produced with a matching high gloss edgeband.

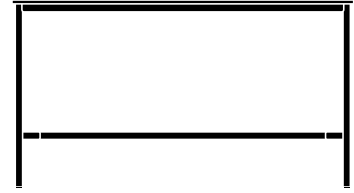
All other colours are produced with a matching ABS edge band. Wood veneer is produced with a matching edge band.

All table tops and edgebands can be mixed and matched
Plastic gliders installed as standard.
Castors are available upon request.



HW63

Drip HW64 Hee Welling 2021



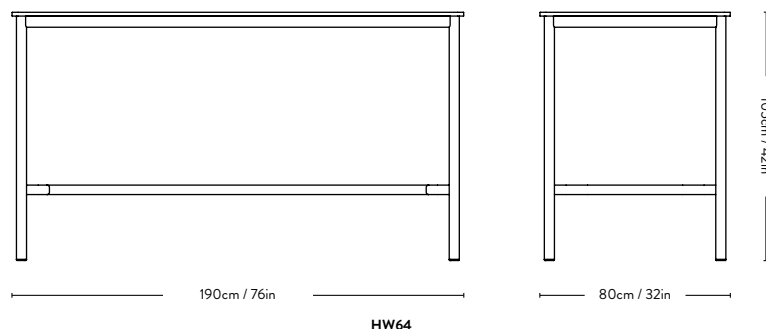
Item code	Table top	Size	Model	Base	Colli qty.	Lead time	Weight	PRICE EX. VAT (SEK)	PRICE INC. VAT (SEK)
18001701 18001706	Nero Ingo Fenix Nano Laminate (0720)	190 x 80 x 105 cm	HW64	Black Bronzed	1 pc	Stock item	37.20 kg	14.868 14.868	18.585 18.585
18001705 18001707	Bianco Male Fenix Nano Laminate (0029)	190 x 80 x 105 cm	HW64	Black Bronzed	1 pc	Stock item	37.20 kg	14.868 14.868	18.585 18.585
18001750 18001756	Smokey Blue Forbo Linoleum (4179) & Dark Blue Ostermann (043.5984), Glossy Edge NEW	190 x 80 x 105 cm	HW64	Black Bronzed	1	10-12 weeks	37.20 kg	18.300 18.300	22.875 22.875
18001751 18001757	Pearl Forbo Linoleum (4157) & Soft Yellow Rehau (78162), Glossy Edge NEW	190 x 80 x 105 cm	HW64	Black Bronzed	1	10-12 weeks	37.20 kg	18.300 18.300	22.875 22.875
18001711 18001712	Burgundy Forbo Linoleum (4154) & Red Ostermann (043.4110), Glossy Edge NEW	190 x 80 x 105 cm	HW64	Black Bronzed	1	10-12 weeks	37.20 kg	18.300 18.300	22.875 22.875
18001752 18001758	Castoro Ottawa Fenix Nano Laminate (0720) & Light Brown Rehau (V1272), Glossy Edge NEW	190 x 80 x 105 cm	HW64	Black Bronzed	1	10-12 weeks	37.20 kg	18.300 18.300	22.875 22.875
18001753 18001759	Cacao Orinoco Fenix Nano Laminate (0749) & Grey Brown Rehau (71038), Glossy Edge NEW	190 x 80 x 105 cm	HW64	Black Bronzed	1	10-12 weeks	37.20 kg	18.300 18.300	22.875 22.875
18001754 18001760	Verde Comodoro Fenix Nano Laminate (0750) & Grey Rehau (97959), Glossy Edge NEW	190 x 80 x 105 cm	HW64	Black Bronzed	1	10-12 weeks	37.20 kg	18.300 18.300	22.875 22.875
18001755 18001761	Azurro Naxos Fenix Nano Laninate (0771) & Light Blue Rehau (77193), Glossy Edge NEW	190 x 80 x 105 cm	HW64	Black Bronzed	1	10-12 weeks	37.20 kg	18.300 18.300	22.875 22.875
18001721	Linoleum - all colours	190 x 80 x 105 cm	HW64	Black Bronzed	1 pc	10-12 weeks	37.20 kg	18.300 18.300	22.875 22.875
18001731	Nano Laminate - all colours	190 x 80 x 105 cm	HW64	Black Bronzed	1 pc	10-12 weeks	37.20 kg	18.300 18.300	22.875 22.875
18001741	Veneer - oak or walnut	190 x 80 x 105 cm	HW64	Black Bronzed	1 pc	10-12 weeks	37.20 kg	18.300 18.300	22.875 22.875
30310020	Cut out for cable management					10 -12 weeks		568	710
30310021	Cable pit set / Black					10 -12 weeks		2.968	3.710
30310022	Cable pit set / Silver					10 -12 weeks		2.968	3.710

Material: Steel and aluminium base, MDF tabletop with Fenix Nanolaminate, Forbo linoleum or wood veneer.

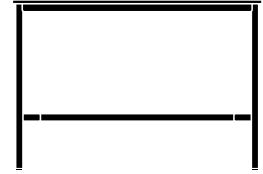
Nero Ingo & Bianco Male is produced with a matching high gloss edgeband.

All other colours are produced with a matching ABS edge band. Wood veneer is produced with a matching edge band.

All table tops and edgebands can be mixed and matched
Plastic gliders installed as standard.
Castors are available upon request.



Drip HW111 Hee Welling 2021



Item code	Table top	Size	Model	Base	Colli qty.	Lead time	Weight	PRICE EX. VAT (SEK)	PRICE INC. VAT (SEK)
18004201 18004206	Nero Ingo Fenix Nano Laminate (0720)	140 x 50 x 95 cm	HW111	Black Bronzed	1 pc	Stock item	22.90 kg	14.868 14.868	18.585 18.585
18004205 18004207	Bianco Male Fenix Nano Laminate (0029)	140 x 50 x 95 cm	HW111	Black Bronzed	1 pc	Stock item	22.90 kg	14.868 14.868	18.585 18.585
18004250 18004256	Smokey Blue Forbo Linoleum (4179) & Dark Blue Ostermann (043.5984), Glossy Edge NEW	140 x 50 x 95 cm	HW111	Black Bronzed	1 pc	10-12 weeks	22.90 kg	16.012 16.012	20.015 20.015
18004251 18004257	Pearl Forbo Linoleum (4157) & Soft Yellow Rehau (78162), Glossy Edge NEW	140 x 50 x 95 cm	HW111	Black Bronzed	1 pc	10-12 weeks	22.90 kg	16.012 16.012	20.015 20.015
18004211 18004212	Burgundy Forbo Linoleum (4154) & Red Ostermann (043.4110), Glossy Edge NEW	140 x 50 x 95 cm	HW111	Black Bronzed	1 pc	10-12 weeks	22.90 kg	16.012 16.012	20.015 20.015
18004252 18004258	Castoro Ottawa Fenix Nano Laminate (0720) & Light Brown Rehau (V1272), Glossy Edge NEW	140 x 50 x 95 cm	HW111	Black Bronzed	1 pc	10-12 weeks	22.90 kg	17.156 17.156	21.445 21.445
18004253 18004259	Cacao Orinoco Fenix Nano Laminate (0749) & Grey Brown Rehau (71038), Glossy Edge NEW	140 x 50 x 95 cm	HW111	Black Bronzed	1 pc	10-12 weeks	22.90 kg	17.156 17.156	21.445 21.445
18004254 18004260	Verde Comodoro Fenix Nano Laminate (0750) & Grey Rehau (97959), Glossy Edge NEW	140 x 50 x 95 cm	HW111	Black Bronzed	1 pc	10-12 weeks	22.90 kg	17.156 17.156	21.445 21.445
18004255 18004261	Azurro Naxos Fenix Nano Laninate (0771) & Light Blue Rehau (77193), Glossy Edge NEW	140 x 50 x 95 cm	HW111	Black Bronzed	1 pc	10-12 weeks	22.90 kg	17.156 17.156	21.445 21.445
18004221	Linoleum - all colours	140 x 50 x 95 cm	HW111	Black Bronzed	1 pc	10-12 weeks	22.90 kg	16.012 16.012	20.015 20.015
18004231	Nano Laminate - all colours	140 x 50 x 95 cm	HW111	Black Bronzed	1 pc	10-12 weeks	22.90 kg	17.156 17.156	21.445 21.445
18004241	Wood Veneer - oak or walnut	140 x 50 x 95 cm	HW111	Black Bronzed	1 pc	10-12 weeks	22.90 kg	17.156 17.156	21.445 21.445
30310020	Cut out for cable management					10 -12 weeks		568	710
30310021	Cable pit set / Black					10 -12 weeks		2.968	3.710
30310022	Cable pit set / Silver					10 -12 weeks		2.968	3.710

Material: Steel and aluminium base, MDF tabletop with Fenix Nanolaminate, Forbo linoleum or wood veneer.

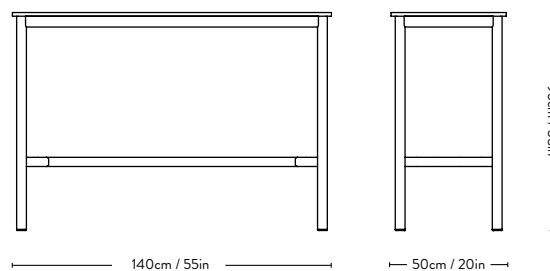
Nero Ingo & Bianco Male is produced with a matching high gloss edgeband.

All other colours are produced with a matching ABS edge band. Wood veneer is produced with a matching edge band.

All table tops and edgebands can be mixed and matched

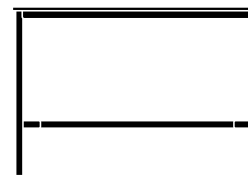
Plastic gliders installed as standard.

Castors are available upon request.



HW111

Drip HW112 Hee Welling 2021



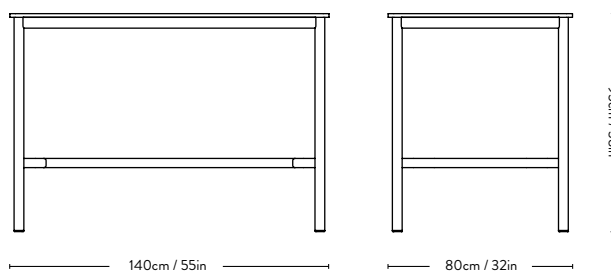
Item code	Table top	Size	Model	Base	Colli qty.	Lead time	Weight	PRICE EX. VAT (SEK)	PRICE INC. VAT (SEK)
18004301 18004306	Nero Ingo Fenix Nano Laminate (0720)	140 x 80 x 95 cm	HW112	Black Bronzed	1 pc	Stock item	30.20 kg	14.868 14.868	18.585 18.585
18004305 18004307	Bianco Male Fenix Nano Laminate (0029)	140 x 80 x 95 cm	HW112	Black Bronzed	1 pc	Stock item	30.20 kg	14.868 14.868	18.585 18.585
18004350 18004356	Smokey Blue Forbo Linoleum (4179) & Dark Blue Ostermann (043.5984), Glossy Edge NEW	140 x 80 x 95 cm	HW112	Black Bronzed	1 pc	10-12 weeks	30.20 kg	16.012 16.012	20.015 20.015
18004351 18004357	Pearl Forbo Linoleum (4157) & Soft Yellow Rehau (78162), Glossy Edge NEW	140 x 80 x 95 cm	HW112	Black Bronzed	1 pc	10-12 weeks	30.20 kg	16.012 16.012	20.015 20.015
18004311 18004312	Burgundy Forbo Linoleum (4154) & Red Ostermann (043.4110), Glossy Edge NEW	140 x 80 x 95 cm	HW112	Black Bronzed	1 pc	10-12 weeks	30.20 kg	16.012 16.012	20.015 20.015
18004352 18004358	Castoro Ottawa Fenix Nano Laminate (0720) & Light Brown Rehau (V1272), Glossy Edge NEW	140 x 80 x 95 cm	HW112	Black Bronzed	1 pc	10-12 weeks	30.20 kg	16.012 16.012	20.015 20.015
18004353 18004359	Cacao Orinoco Fenix Nano Laminate (0749) & Grey Brown Rehau (71038), Glossy Edge NEW	140 x 80 x 95 cm	HW112	Black Bronzed	1 pc	10-12 weeks	30.20 kg	16.012 16.012	20.015 20.015
18004354 18004360	Verde Comodoro Fenix Nano Laminate (0750) & Grey Rehau (97959), Glossy Edge NEW	140 x 80 x 95 cm	HW112	Black Bronzed	1 pc	10-12 weeks	30.20 kg	16.012 16.012	20.015 20.015
18004355 18004361	Azurro Naxos Fenix Nano Laninate (0771) & Light Blue Rehau (77193), Glossy Edge NEW	140 x 80 x 95 cm	HW112	Black Bronzed	1 pc	10-12 weeks	30.20 kg	16.012 16.012	20.015 20.015
18004321	Linoleum - all colours	140 x 80 x 95 cm	HW112	Black Bronzed	1 pc	10-12 weeks	30.20 kg	16.012 16.012	20.015 20.015
18004331	Nano Laminate - all colours	140 x 80 x 95 cm	HW112	Black Bronzed	1 pc	10-12 weeks	30.20 kg	16.012 16.012	20.015 20.015
18004341	Veneer - oak or walnut	140 x 80 x 95 cm	HW112	Black Bronzed	1 pc	10-12 weeks	30.20 kg	16.012 16.012	20.015 20.015
30310020	Cut out for cable management					10 -12 weeks		568	710
30310021	Cable pit set / Black					10 -12 weeks		2.968	3.710
30310022	Cable pit set / Silver					10 -12 weeks		2.968	3.710

Material: Steel and aluminium base, MDF tabletop with Fenix Nanolaminate, Forbo linoleum or wood veneer.

Nero Ingo & Bianco Male is produced with a matching high gloss edgeband.

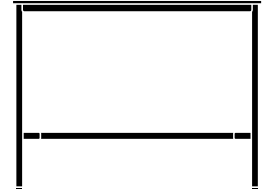
All other colours are produced with a matching ABS edge band. Wood veneer is produced with a matching edge band.

All table tops and edgebands can be mixed and matched
Plastic gliders installed as standard.
Castors are available upon request.



HW112

Drip HW113 Hee Welling 2021



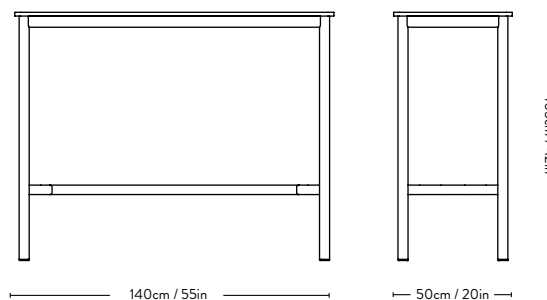
Item code	Table top	Size	Model	Base	Colli qty.	Lead time	Weight	PRICE EX. VAT (SEK)	PRICE INC. VAT (SEK)
18004401 18004406	Nero Ingo Fenix Nano Laminate (0720)	140 x 50 x 105 cm	HW113	Black Bronzed	1 pc	Stock item	23.40 kg	14.868 14.868	18.585 18.585
18004405 18004407	Bianco Male Fenix Nano Laminate (0029)	140 x 50 x 105 cm	HW113	Black Bronzed	1 pc	10-12 weeks	23.40 kg	14.868 14.868	18.585 18.585
18004450 18004456	Smokey Blue Forbo Linoleum (4179) & Dark Blue Ostermann (043.5984), Glossy Edge NEW	140 x 50 x 105 cm	HW113	Black Bronzed	1 pc	10-12 weeks	23.40 kg	16.012 16.012	20.015 20.015
18004451 18004457	Pearl Forbo Linoleum (4157) & Soft Yellow Rehau (78162), Glossy Edge NEW	140 x 50 x 105 cm	HW113	Black Bronzed	1 pc	10-12 weeks	23.40 kg	16.012 16.012	20.015 20.015
18004411 18004412	Burgundy Forbo Linoleum (4154) & Red Ostermann (043.4110), Glossy Edge NEW	140 x 50 x 105 cm	HW113	Black Bronzed	1 pc	10-12 weeks	23.40 kg	16.012 16.012	20.015 20.015
18004452 18004458	Castoro Ottawa Fenix Nano Laminate (0720) & Light Brown Rehau (V1272), Glossy Edge NEW	140 x 50 x 105 cm	HW113	Black Bronzed	1 pc	10-12 weeks	23.40 kg	17.156 17.156	21.445 21.445
18004453 18004459	Cacao Orinoco Fenix Nano Laminate (0749) & Grey Brown Rehau (71038), Glossy Edge NEW	140 x 50 x 105 cm	HW113	Black Bronzed	1 pc	10-12 weeks	23.40 kg	17.156 17.156	21.445 21.445
18004454 18004460	Verde Comodoro Fenix Nano Laminate (0750) & Grey Rehau (97959), Glossy Edge NEW	140 x 50 x 105 cm	HW113	Black Bronzed	1 pc	10-12 weeks	23.40 kg	17.156 17.156	21.445 21.445
18004455 18004461	Azurro Naxos Fenix Nano Laninate (0771) & Light Blue Rehau (77193), Glossy Edge NEW	140 x 50 x 105 cm	HW113	Black Bronzed	1 pc	10-12 weeks	23.40 kg	17.156 17.156	21.445 21.445
18004421	Linoleum - all colours	140 x 50 x 105 cm	HW113	Black Bronzed	1 pc	10-12 weeks	23.40 kg	16.012 16.012	20.015 20.015
18004441	Nano Laminate - all colours	140 x 50 x 105 cm	HW113	Black Bronzed	1 pc	10-12 weeks	23.40 kg	17.156 17.156	21.445 21.445
18004451	Wood Veneer - oak or walnut	140 x 50 x 105 cm	HW113	Black, Bronzed	1 pc	10-12 weeks	23.40 kg	17.156 17.156	21.445 21.445
30310020	Cut out for cable management					10 -12 weeks		568	710
30310021	Cable pit set / Black					10 -12 weeks		2.968	3.710
30310022	Cable pit set / Silver					10 -12 weeks		2.968	3.710

Material: Steel and aluminium base, MDF tabletop with Fenix Nanolaminate, Forbo linoleum or wood veneer.

Nero Ingo & Bianco Male is produced with a matching high gloss edgeband.

All other colours are produced with a matching ABS edge band. Wood veneer is produced with a matching edge band.

All table tops and edgebands can be mixed and matched
Plastic gliders installed as standard.
Castors are available upon request.



HW113

Drip HW114 Hee Welling 2021



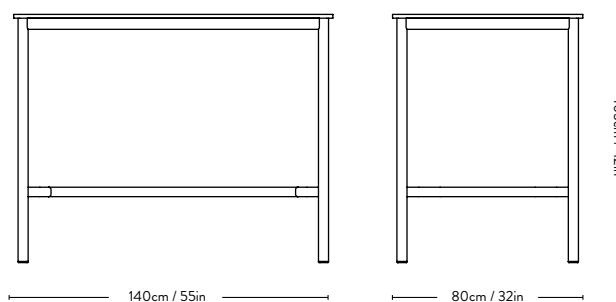
Item code	Table top	Size	Model	Base	Colli qty.	Lead time	Weight	PRICE EX. VAT (SEK)	PRICE INC. VAT (SEK)
18004501 18004506	Nero Ingo Fenix Nano Laminate (0720)	140 x 80 x 105 cm	HW114	Black Bronzed	1 pc	Stock item	30.30 kg	16.012 16.012	20.015 20.015
18004505 18004507	Bianco Male Fenix Nano Laminate (0029)	140 x 80 x 105 cm	HW114	Black Bronzed	1 pc	Stock item	30.30 kg	16.012 16.012	20.015 20.015
18004550 18004556	Smokey Blue Forbo Linoleum (4179) & Dark Blue Ostermann (043.5984), Glossy Edge NEW	140 x 80 x 105 cm	HW114	Black Bronzed	1 pc	10-12 weeks	30.30 kg	17.156 17.156	21.445 21.445
18004551 18004557	Pearl Forbo Linoleum (4157) & Soft Yellow Rehau (78162), Glossy Edge NEW	140 x 80 x 105 cm	HW114	Black Bronzed	1 pc	10-12 weeks	30.30 kg	17.156 17.156	21.445 21.445
18004511 18004512	Burgundy Forbo Linoleum (4154) & Red Ostermann (043.4110), Glossy Edge NEW	140 x 80 x 105 cm	HW114	Black Bronzed	1 pc	10-12 weeks	30.30 kg	17.156 17.156	21.445 21.445
18004552 18004558	Castoro Ottawa Fenix Nano Laminate (0720) & Light Brown Rehau (V1272), Glossy Edge NEW	140 x 80 x 105 cm	HW114	Black Bronzed	1 pc	10-12 weeks	30.30 kg	17.156 17.156	21.445 21.445
18004553 18004559	Cacao Orinoco Fenix Nano Laminate (0749) & Grey Brown Rehau (71038), Glossy Edge NEW	140 x 80 x 105 cm	HW114	Black Bronzed	1 pc	10-12 weeks	30.30 kg	17.156 17.156	21.445 21.445
18004554 18004560	Verde Comodoro Fenix Nano Laminate (0750) & Grey Rehau (97959), Glossy Edge NEW	140 x 80 x 105 cm	HW114	Black Bronzed	1 pc	10-12 weeks	30.30 kg	17.156 17.156	21.445 21.445
18004555 18004561	Azurro Naxos Fenix Nano Laninate (0771) & Light Blue Rehau (77193), Glossy Edge NEW	140 x 80 x 105 cm	HW114	Black Bronzed	1 pc	10-12 weeks	30.30 kg	17.156 17.156	21.445 21.445
18004521	Linoleum - all colours	140 x 80 x 105 cm	HW114	Black Bronzed	1 pc	10-12 weeks	30.30 kg	17.156 17.156	21.445 21.445
18004531	Nano Laminate - all colours	140 x 80 x 105 cm	HW114	Black Bronzed	1 pc	10-12 weeks	30.30 kg	17.156 17.156	21.445 21.445
18004541	Veneer - oak or walnut	140 x 80 x 105 cm	HW114	Black Bronzed	1 pc	10-12 weeks	30.30 kg	17.156 17.156	21.445 21.445
30310020	Cut out for cable management					10 -12 weeks		568	710
30310021	Cable pit set / Black					10 -12 weeks		2.968	3.710
30310022	Cable pit set / Silver					10 -12 weeks		2.968	3.710

Material: Steel and aluminium base, MDF tabletop with Fenix Nanolaminate, Forbo linoleum or wood veneer.

Nero Ingo & Bianco Male is produced with a matching high gloss edgeband.

All other colours are produced with a matching ABS edge band. Wood veneer is produced with a matching edge band.

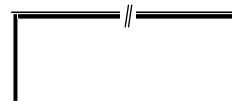
All table tops and edgebands can be mixed and matched
Plastic gliders installed as standard.
Castors are available upon request.



HW114

Drip Hee Welling 2021

custom made versions



Item code	Table top	Base	Size	Lead time	PRICE EX. VAT (SEK)	PRICE INC. VAT (SEK)
18002221	Forbo Linoleum	Black, Bronzed	L: 141-170 x W: 80 x H: 74cm	6-8 weeks	13.724	17.155
18002321			L: 171-200 x W: 80 x H: 74cm		15.440	19.300
18002421			L: 201-250 x W: 100 x H: 74cm		18.300	22.875
18002521			L: 251-300 x W: 100 x H: 74cm		21.732	27.165
18002601			L: 201-250 x W: 110 x H: 74cm		16.584	20.730
18002611			L: 251-300 x W: 110 x H: 74cm		18.872	23.590
18003421			L: 201-250 x W: 120 x H: 74cm		17.728	22.160
18003521	L: 251-300 x W: 120 x H: 74cm	20.016	25.020			
18002231	Fenix NTM Nano Laminate	Black, Bronzed	L: 141-170 x W: 80 x H: 74cm	6-8 weeks	14.868	18.585
18002331			L: 171-200 x W: 80 x H: 74cm		16.012	20.015
18002431			L: 201-250 x W: 100 x H: 74cm		18.300	22.875
18002531			L: 251-300 x W: 100 x H: 74cm		21.732	27.165
18002602			L: 201-250 x W: 110 x H: 74cm		17.728	22.160
18002612			L: 251-300 x W: 110 x H: 74cm		20.016	25.020
18003431			L: 201-250 x W: 120 x H: 74cm		18.872	23.590
18003531	L: 251-300 x W: 120 x H: 74cm	21.160	26.450			
18002241	Oak or Walnut Veneer	Black, Bronzed	L: 141-170 x W: 80 x H: 74cm	6-8 weeks	14.868	18.585
18002341			L: 171-200 x W: 80 x H: 74cm		16.012	20.015
18002441			L: 201-250 x W: 100 x H: 74cm		18.300	22.875
18002541			L: 251-300 x W: 100 x H: 74cm		21.732	27.165
18002603			L: 201-250 x W: 110 x H: 74cm		17.156	21.445
18002613			L: 251-300 x W: 110 x H: 74cm		19.444	24.305
18003441			L: 201-250 x W: 120 x H: 74cm		18.300	22.875
18003541	L: 251-300 x W: 120 x H: 74cm	20.588	25.735			
30310020	Cut out for cable management			10-12 weeks	568	710
30310021	Cable access set / Black			10-12 weeks	2.968	3.710
30310022	Cable access set / Silver			10-12 weeks	2.968	3.710

* Please note that the cable access set is not pre-installed upon delivery

Material: Aluminium base, MDF tabletop with Fenix Nano laminate, Forbo linoleum or wood veneer.

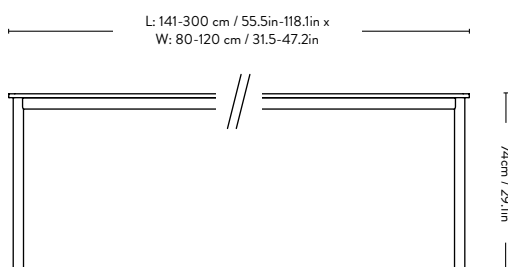
Nero Ingo & Bianco Male is produced with a matching high gloss edge-band.

All other colours are produced with a matching ABS edge band. Wood veneer is produced with a matching edge band.

Plastic gliders are installed as standard.

Base: Black or Bronzed.

Castors are available upon request.

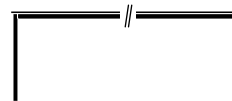


Drip custom made versions



Hee Welling

2021



Item code	Table top	Base	Size	Lead time	PRICE EX. VAT (SEK)	PRICE INC. VAT (SEK)
18002621	Forbo Linoleum	Black, Bronzed	L: 301-350 x W: 110 x H: 74cm	6-8 weeks	27.452	34.315
18002721			L: 351-400 x W: 110 x H: 74cm		28.596	35.745
18002821			L: 401-450 x W: 110 x H: 74cm		32.028	40.035
18002921			L: 451-500 x W: 110 x H: 74cm		33.172	41.465
18002950			L: 501-550 x W: 110 x H: 74cm		34.316	42.895
18002965			L: 551-600 x W: 110 x H: 74cm		36.604	45.755
18003621			L: 301-350 x W: 120 x H: 74cm		28.596	35.745
18003721			L: 351-400 x W: 120 x H: 74cm		29.740	37.175
18003821			L: 401-450 x W: 120 x H: 74cm		33.172	41.465
18003921			L: 451-500 x W: 120 x H: 74cm		34.316	42.895
18004021			L: 501-550 x W: 120 x H: 74cm		35.460	44.325
18004121			L: 551-600 x W: 120 x H: 74cm		36.604	45.755
18002631			Fenix NTM Nano Laminate		Black, Bronzed	L: 301-350 x W: 110 x H: 74cm
18002731	L: 351-400 x W: 110 x H: 74cm	28.596		35.745		
18002831	L: 401-450 x W: 110 x H: 74cm	32.028		40.035		
18002931	L: 451-500 x W: 110 x H: 74cm	33.172		41.465		
18002955	L: 501-550 x W: 110 x H: 74cm	35.460		44.325		
18002970	L: 551-600 x W: 110 x H: 74cm	36.604		45.755		
18003631	L: 301-350 x W: 120 x H: 74cm	29.740		37.175		
18003731	L: 351-400 x W: 120 x H: 74cm	30.884		38.605		
18003831	L: 401-450 x W: 120 x H: 74cm	34.316		42.895		
18003931	L: 451-500 x W: 120 x H: 74cm	35.460		44.325		
18004031	L: 501-550 x W: 120 x H: 74cm	36.604		45.755		
18004131	L: 551-600 x W: 120 x H: 74cm	37.748		47.185		
18002641	Oak or Walnut Veneer	Black, Bronzed		L: 301-350 x W: 110 x H: 74cm		6-8 weeks
18002741			L: 351-400 x W: 110 x H: 74cm	28.596	35.745	
18002841			L: 401-450 x W: 110 x H: 74cm	33.172	41.465	
18002941			L: 451-500 x W: 110 x H: 74cm	34.316	42.895	
18002960			L: 501-550 x W: 110 x H: 74cm	35.460	44.325	
18002975			L: 551-600 x W: 110 x H: 74cm	36.604	45.755	
18003641			L: 301-350 x W: 120 x H: 74cm	29.168	36.460	
18003741			L: 351-400 x W: 120 x H: 74cm	30.312	37.890	
18003841			L: 401-450 x W: 120 x H: 74cm	33.744	42.180	
18003941			L: 451-500 x W: 120 x H: 74cm	34.888	43.610	
18004041			L: 501-550 x W: 120 x H: 74cm	36.032	45.040	
18004141			L: 551-600 x W: 120 x H: 74cm	37.176	46.470	
18009999			Linking device			
30310020	Cut out for cable management			10-12 weeks	568	710
30310021	Cable access set / Black			10-12 weeks	2.968	3.710
30310022	Cable access set / Silver			10-12 weeks	2.968	3.710

* Please note that the cable access set is not pre-installed upon delivery

Material: Aluminium base, MDF tabletop with Fenix Nano laminate, Forbo linoleum or wood veneer.

Nero Ingo & Bianco Male is produced with a matching high gloss edge-band.

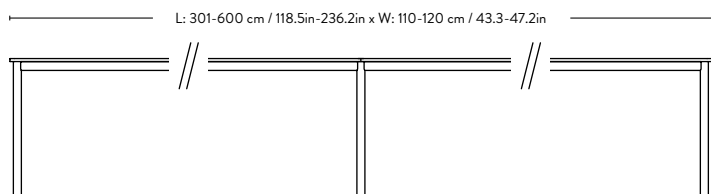
All other colours are produced with a matching ABS edge band. Wood veneer is produced with a matching edge band.

Tables larger than 3 meters are produced with 6 legs

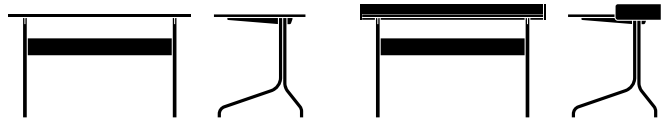
Plastic gliders are installed as standard.

Base: Black or Bronzed.

Castors are available upon request.



Pavilion AV16 & AV17 Anderssen & Voll 2021

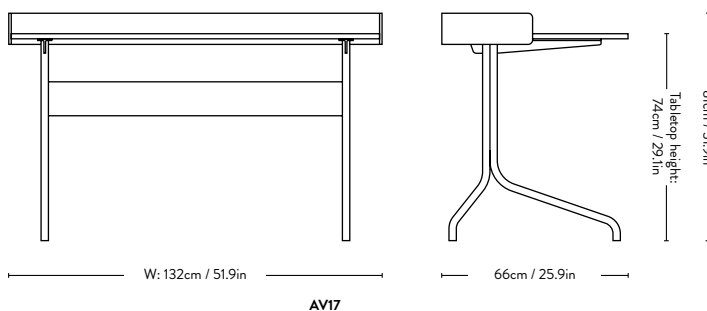
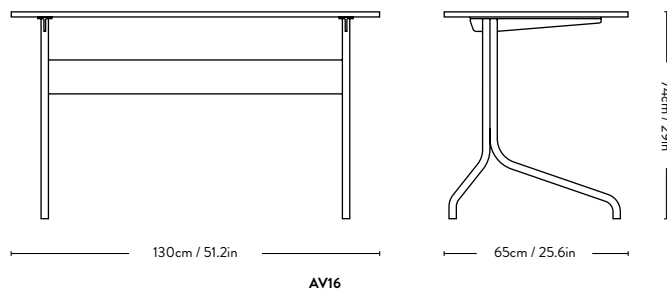


Item no.	Product	Model	Colli qty.	Lead time	Weight	PRICE EX. VAT (SEK)	PRICE INC. VAT (SEK)
50170000	Black Linoleum (4023) w. black lacquered oak & black base	AV16	1 pc	Stock item	23.30 kg	10.292	12.865
50170001	Mushroom Linoleum (4176) w. lacquered oak & chrome base	AV16	1 pc	Stock item	23.30 kg	10.292	12.865
50170002	Iron Linoleum (4178) w. lacquered walnut & chrome base	AV16	1 pc	Stock item	23.30 kg	10.292	12.865
50170003	Mushroom Linoleum (4176) w. lacquered oak & chrome base	AV17	1 pc	Stock item	24.20 kg	12.580	15.725
50170004	Iron Linoleum (4178) w. lacquered walnut & chrome base	AV17	1 pc	Stock item	24.20 kg	12.580	15.725

Material: Steel, wood veneer, Forbo linoleum.

Plastic gliders are installed as standard.

Cut out and cable management available upon request with a minimum order quantity of same variant of 10 pcs.



Pavilion AV18, AV19 & AV24 Anderssen & Voll 2022

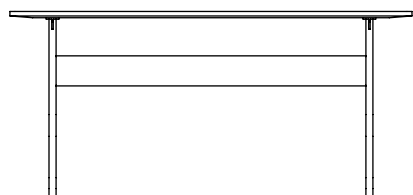


Item no.	Top	Size	Base	Model	Colli qty.	Lead time	Weight	PRICE EX. VAT (SEK)	PRICE INC. VAT (SEK)
50180000 50180001	Lacquered Oak	90x160cm	Black Chrome	AV18	1 pc	Stock item	44.0 kg	13.152	16.440
50180002 50180003	Black Lacquered Oak	90x160cm	Black Chrome	AV18	1 pc	Stock item	44.0 kg	13.152	16.440
50180004 50180005	Lacquered Walnut	90x160cm	Black Chrome	AV18	1 pc	Stock item	44.0 kg	13.724	17.155

Item no.	Top	Size	Base	Model	Colli qty.	Lead time	Weight	PRICE EX. VAT (SEK)	PRICE INC. VAT (SEK)
50190000 50190001	Lacquered Oak	90x200cm	Black Chrome	AV19	1 pc	Stock item	53.5 kg	14.296	17.870
50190002 50190003	Black Lacquered Oak	90x200cm	Black Chrome	AV19	1 pc	Stock item	53.5 kg	14.296	17.870
50190004 50190005	Lacquered Walnut	90x200cm	Black Chrome	AV19	1 pc	Stock item	53.5 kg	14.868	18.585

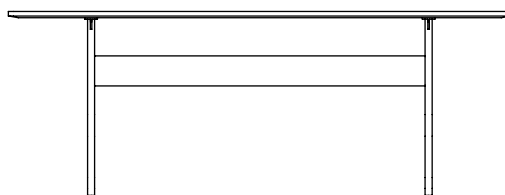
Item no.	Top	Size	Base	Model	Colli qty.	Lead time	Weight	PRICE EX. VAT (SEK)	PRICE INC. VAT (SEK)
50260000 50260001	Lacquered Oak	110x250cm	Black Chrome	AV24	1 pc	Stock item	62.0 kg	20.588	25.735
50260002 50260003	Black Lacquered Oak	110x250cm	Black Chrome	AV24	1 pc	Stock item	62.0 kg	20.588	25.735
50260004 50260005	Lacquered Walnut	110x250cm	Black Chrome	AV24	1 pc	Stock item	62.0 kg	21.732	27.165

Material: Steel, lacquered veneer, MDF
Plastic gliders are installed as standard.



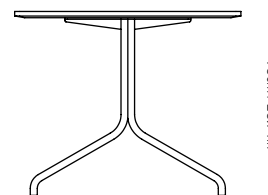
W: 160cm / 62.9in

AV18



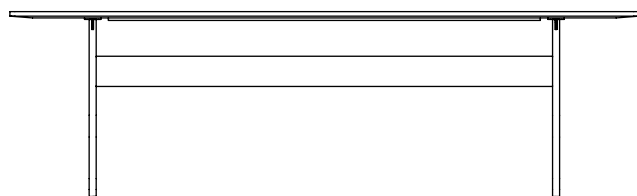
W: 200cm / 78.74in

AV19



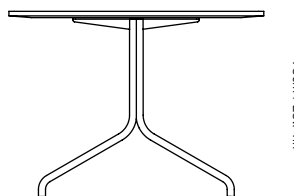
D: 90cm / 35.43in

73cm / 28.74in



W: 250cm / 98.42in

AV24



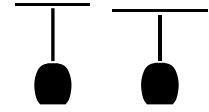
D: 110cm / 43.31in

73cm / 28.74in

Lato LN8 & LN9

Luca Nichetto

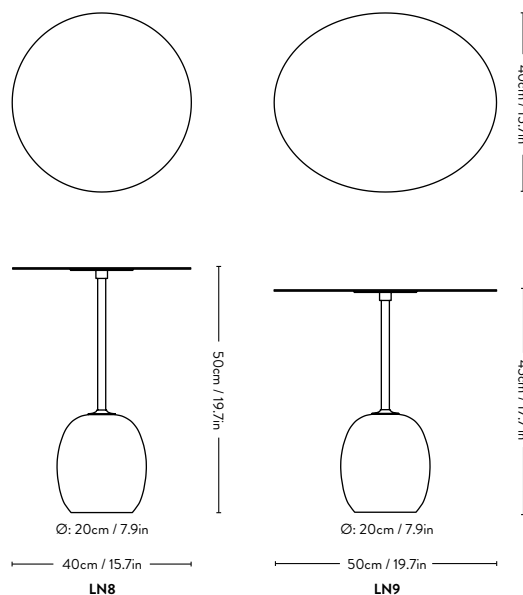
2018



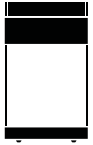
Item no.	Product	Size	Model	Colli qty.	Lead time	Weight	PRICE EX. VAT (SEK)	PRICE INC. VAT (SEK)
86202001	Warm Black w. Emparador Marble	Ø40cm	LN8	1 pc	Stock item	19.50 kg	4.340	5.425
86202005	Ivory white w. Crema Diva Marble	Ø40cm	LN8	1 pc	Stock item	19.50 kg	4.340	5.425
86202030	Deep Green w. Verde Alpi	Ø40cm	LN8	1 pc	Stock item	19.50 kg	4.340	5.425
86202096	Lacquered Walnut w. Emparador marble	Ø40cm	LN8	1 pc	Stock item	19.00 kg	5.028	6.285
86202092	Lacquered Oak w. Crema Diva marble	Ø40cm	LN8	1 pc	Stock item	19.00 kg	4.800	6.000
86202010	Warm Black w. Emparador Marble	40x50cm	LN9	1 pc	Stock item	20.10 kg	4.340	5.425
86202015	Ivory white w. Crema Diva Marble	40x50cm	LN9	1 pc	Stock item	20.10 kg	4.340	5.425
86202035	Deep Green w. Verde Alpi	40x50cm	LN9	1 pc	Stock item	20.10 kg	4.340	5.425
86202196	Lacquered Walnut w. Emparador marble	40x50cm	LN9	1 pc	Stock item	19.00 kg	5.028	6.285
86202192	Lacquered Oak w. Crema Diva marble	40x50cm	LN9	1 pc	Stock item	19.00 kg	4.800	6.000

Material: Marble and powder coated steel or lacquered veneer.

Felt gliders installed as standard.



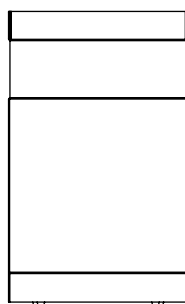
Rotate ^{SC73} Space Copenhagen 2022



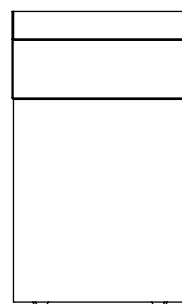
Item no.	Colour	Model	Colli qty.	Lead time	Weight	PRICE EX. VAT (SEK)	PRICE INC. VAT (SEK)
42000001	Terracotta	SC73	1 pc	Stock item	14.75 kg	3.428	4.285
42000004	Hunter	SC73	1 pc	Stock item	14.75 kg	3.428	4.285
42000005	Ivory	SC73	1 pc	Stock item	14.75 kg	3.428	4.285
42000006	Merlot	SC73	1 pc	Stock item	14.75 kg	3.428	4.285

Material: Powder coated steel

Thickness:
0.2cm / 0.08in



W: 35cm / 13.78in

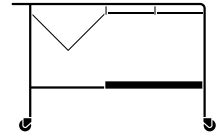


D: 35cm / 13.78in

59cm / 23.23in

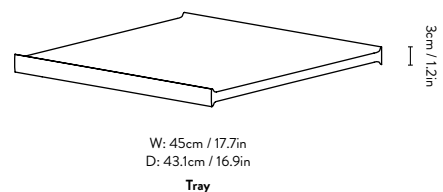
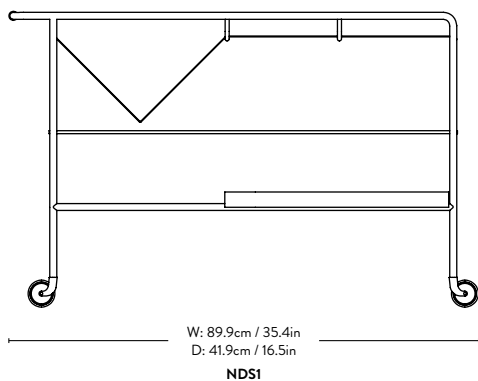
Alima ^{NDS1}

Note Design Studio 2022

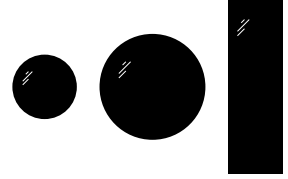


Item no.	Product	Tray	Model	Colli qty.	Lead time	Weight	PRICE EX. VAT (SEK)	PRICE INC. VAT (SEK)
23500001	Chrome	Oak	NDS1	1 pc	Stock item	10.0 kg	7.432	9.290
23500002	Chrome	Walnut	NDS1	1 pc	Stock item	10.0 kg	7.432	9.290
23500003	Matt Black	Oak	NDS1	1 pc	Stock item	10.0 kg	7.432	9.290
23500004	Matt Black	Walnut	NDS1	1 pc	Stock item	10.0 kg	7.432	9.290

Material: Steel / Powder coated steel trolley.
Walnut / Oak trays. Leather handle.

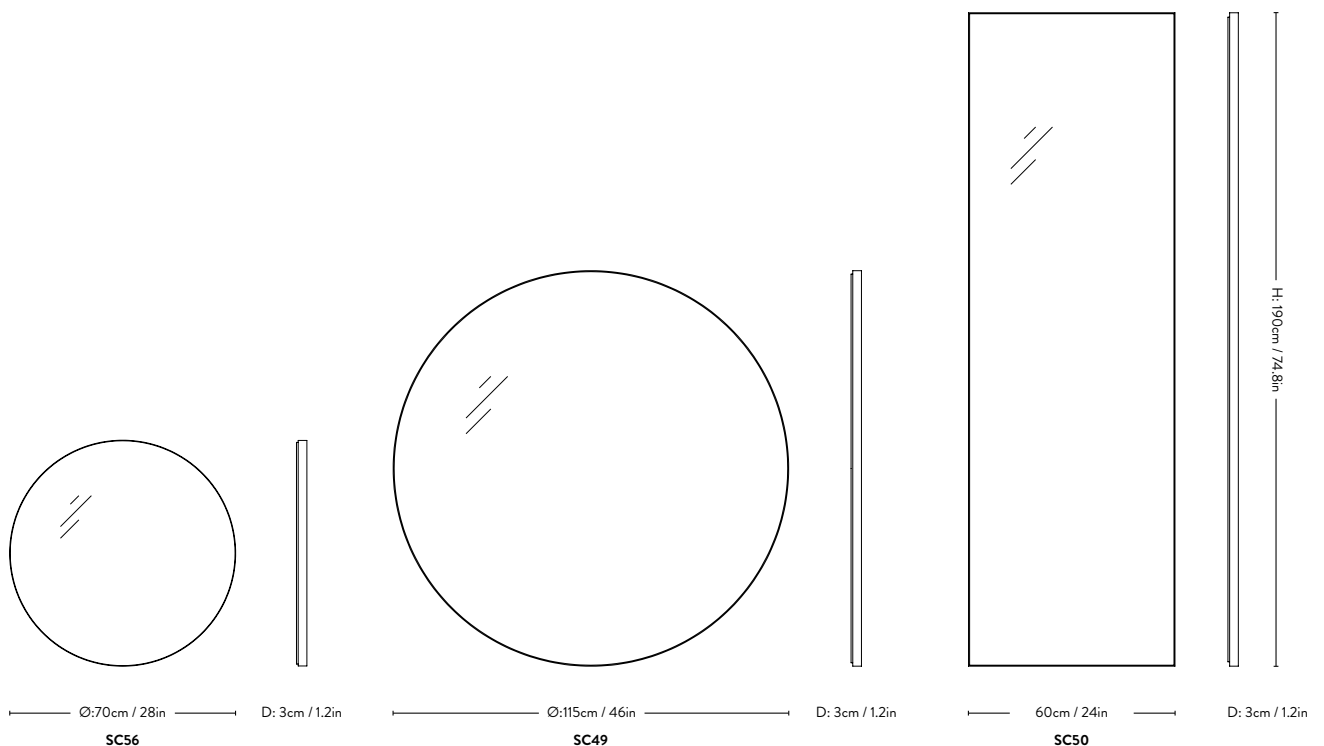


Amore SC49, SC50, SC56 Space Copenhagen 2018



Item no.	Colour	Size	Model	Colli qty.	Lead time	Weight	PRICE EX. VAT (SEK)	PRICE INC. VAT (SEK)
86101540	Bronzed Brass	Ø70cm	SC56	1 pc	Stock item	29.60 kg	8.576	10.720
86101640	Bronzed Brass	Ø115cm	SC49	1 pc	Stock item	25.80 kg	12.008	15.010
86101040	Bronzed Brass	60x190cm	SC50	1 pc	Stock item	29.60 kg	14.296	17.870

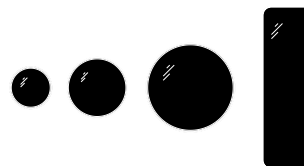
Material: Bronzed brass frame, silver coloured mirror, textile backing.



Sillon SH4-SH7

Sebastian Herkner

2019



Item no.	Colour	Size	Model	Colli qty.	Lead time	Weight	PRICE EX. VAT (SEK)	PRICE INC. VAT (SEK)
23101296	Brass	Ø46cm	SH4	1 pc	Stock item	4.50 kg	2.856	3.570
23101201	Stainless Steel	Ø46cm	SH4	1 pc	Stock item	4.50 kg	2.512	3.140
23101396	Brass	Ø66cm	SH5	1 pc	Stock item	8.00 kg	4.800	6.000
23101301	Stainless Steel	Ø66cm	SH5	1 pc	Stock item	8.00 kg	4.340	5.425
23101496	Brass	Ø96cm	SH6	1 pc	Stock item	14.50 kg	6.860	8.575
23101401	Stainless Steel	Ø96cm	SH6	1 pc	Stock item	14.50 kg	6.288	7.860
23101596	Brass	190x60cm	SH7	1 pc	Stock item	28.50 kg	13.724	17.155
23101501	Stainless Steel	190x60cm	SH7	1 pc	Stock item	28.50 kg	12.808	16.010

Material: Plated steel & silver coloured mirror

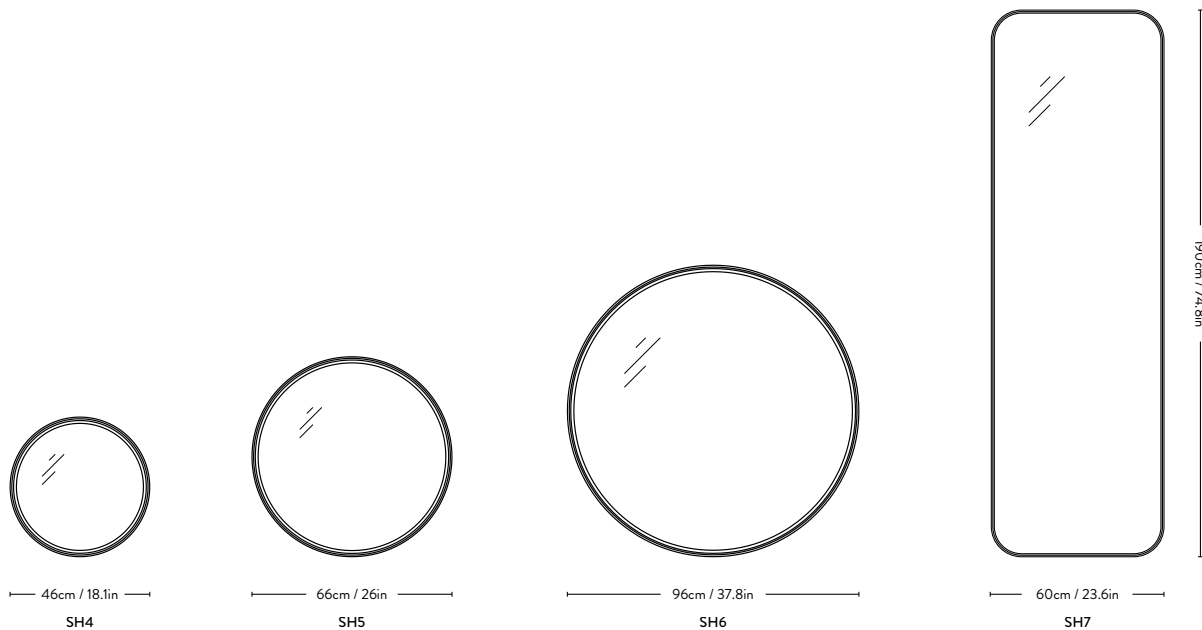
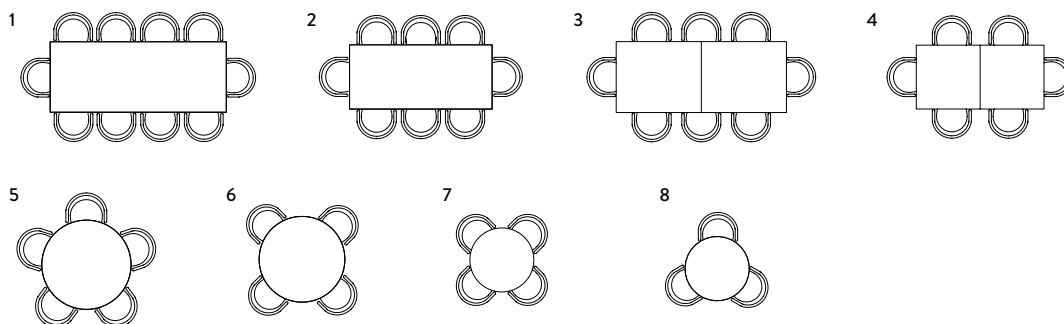
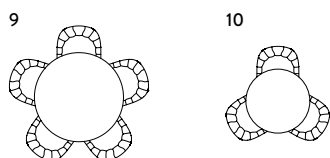


Table Settings



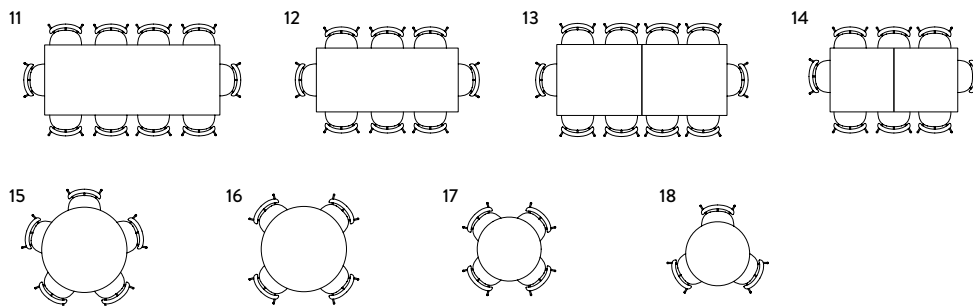
In Between Chair

Product	Size	Chairs
(1) In Between Table SK6	250 x 100cm / 98.4 x 39.3in	10 x In Between chairs (SK1/SK2)
(2) In Between Table SK5	200 x 90cm / 78.7 x 35.4in	8 x In Between chairs (SK1/SK2)
(3) Patch Table HW2	240 (+100cm) x 100cm / 94.5 (+39.4in) x 39.4in	8 x In Between chairs (SK1/SK2) - (extendend +2)
(4) Patch Table HW1	180 (+100cm) x 90cm / 70.9 (+39.4in) x 35.4in	6 x In Between chairs (SK1/SK2) - (extendend +2)
(5) In Between Table SK12	Ø: 120cm / 47.2in	5 x In Between chairs (SK1/SK2)
(6) In Between Table SK4	Ø: 120cm / 47.2in	4 x In Between chairs (SK1/SK2)
(7) In Between Table SK11	Ø: 90cm / 35.4in	4 x In Between chairs (SK1/SK2)
(8) In Between Table SK3	Ø: 90cm / 35.4in	3 x In Between chairs (SK1/SK2)



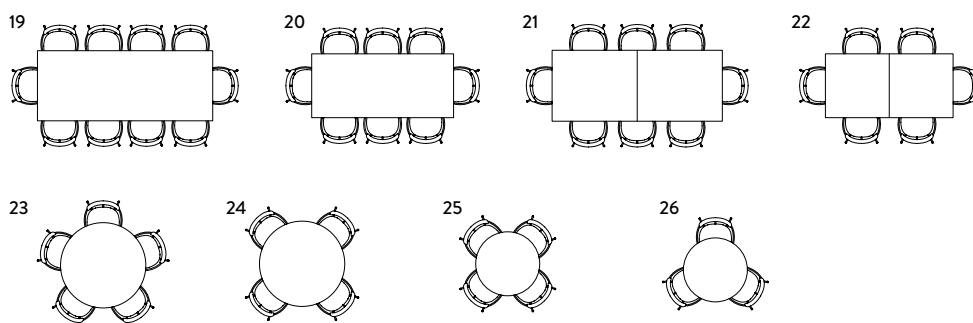
Loafer Dining Chair

Product	Size	Chairs
(9) In Between Table SK12	Ø: 120cm / 35.4in	5 x Loafer dining (SC24)
(10) In Between Table SK11	Ø: 90cm / 35.4in	3 x Loafer dining (SC24)



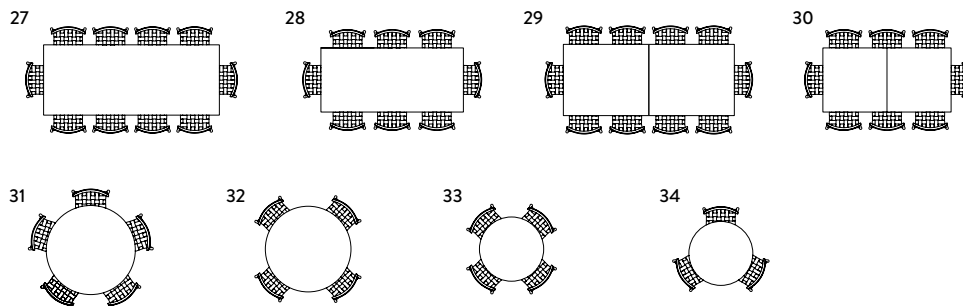
Pavilion Dining Chair

Product	Size	Chairs
(11) In Between Table SK6	250 x 100cm / 98.4 x 39.3in	10 x Pavilion (AV1/AV3)
(12) In Between Table SK5	200 x 90cm / 78.7 x 35.4in	8 x Pavilion (AV1/AV3)
(13) Patch Table HW2	240 (+100cm) x 100cm / 94.5 (+39.4in) x 39.4in	10 x Pavilion (AV1/AV3) - (extendend +4)
(14) Patch Table HW1	180 (+100cm) x 90cm / 70.9 (+39.4in) x 35.4in	8 x Pavilion (AV1/AV3) - (extendend +4)
(15) In Between Table SK12	Ø: 120cm / 47.2in	5 x Pavilion (AV1/AV3)
(16) In Between Table SK4	Ø: 120cm / 47.2in	4 x Pavilion (AV1/AV3)
(17) In Between Table SK11	Ø: 90cm / 35.4in	4 x Pavilion (AV1/AV3)
(18) In Between Table SK3	Ø: 90cm / 35.4in	3 x Pavilion (AV1/AV3)



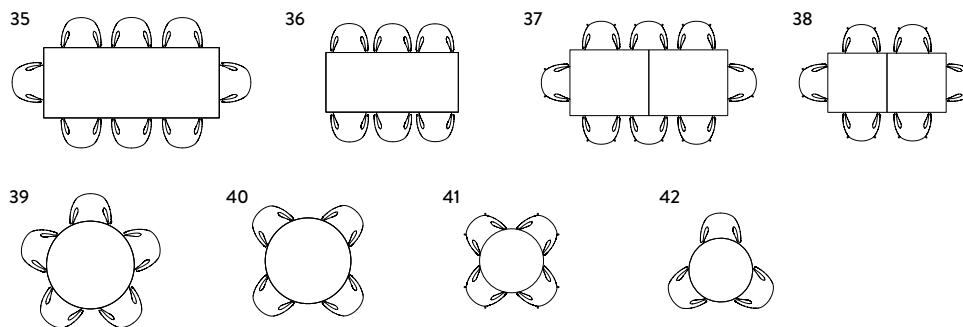
Pavilion Armrest Chair

Product	Size	Chairs
(19) In Between Table SK6	250 x 100cm / 98.4 x 39.3in	10 x Pavilion (AV2/AV4)
(20) In Between Table SK5	200 x 90cm / 78.7 x 35.4in	8 x Pavilion (AV2/AV4)
(21) Patch Table HW2	240 (+100cm) x 100cm / 94.5 (+39.4in) x 39.4in	8 x Pavilion (AV2/AV4) - (extended +2)
(22) Patch Table HW1	180 (+100cm) x 90cm / 70.9 (+39.4in) x 35.4in	6 x Pavilion (AV2/AV4) - (extended +2)
(23) In Between Table SK12	Ø: 120cm / 47.2in	5 x Pavilion (AV2/AV4)
(24) In Between Table SK4	Ø: 120cm / 47.2in	4 x Pavilion (AV2/AV4)
(25) In Between Table SK11	Ø: 90cm / 35.4in	4 x Pavilion (AV2/AV4)
(26) In Between Table SK3	Ø: 90cm / 35.4in	3 x Pavilion (AV2/AV4)



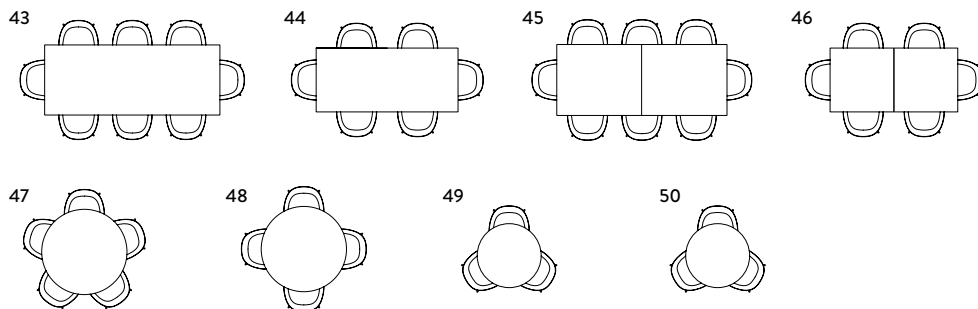
Betty Dining Chair

Product	Size	Chairs
(27) In Between Table SK6	250 x 100cm / 98.4 x 39.3in	10 x Betty (TK1/TK2)
(28) In Between Table SK5	200 x 90cm / 78.7 x 35.4in	8 x Betty (TK1/TK2)
(29) Patch Table HW2	240 (+100cm) x 100cm / 94.5 (+39.4in) x 39.4in	10 x Betty (TK1/TK2) - (extended +4)
(30) Patch Table HW1	180 (+100cm) x 90cm / 70.9 (+39.4in) x 35.4in	8 x Betty (TK1/TK2) - (extended +4)
(31) In Between Table SK12	Ø: 120cm / 47.2in	5 x Betty (TK1/TK2)
(32) In Between Table SK4	Ø: 120cm / 47.2in	4 x Betty (TK1/TK2)
(33) In Between Table SK11	Ø: 90cm / 35.4in	4 x Betty (TK1/TK2)
(34) In Between Table SK3	Ø: 90cm / 35.4in	3 x Betty (TK1/TK2)



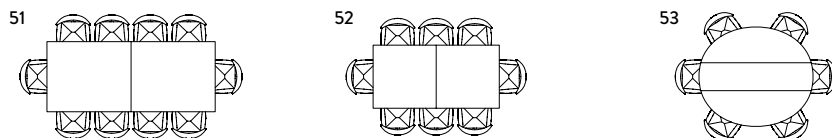
Catch Dining Chair

Product	Size	Chairs
(35) In Between Table SK6	250 x 100cm / 98.4 x 39.3in	8 x Catch (JH1/JH2/JH15)
(36) In Between Table SK5	200 x 90cm / 78.7 x 35.4in	6 x Catch (JH1/JH2/JH15)
(37) Patch Table HW2	240 (+100cm) x 100cm / 94.5 (+39.4in) x 39.4in	8 x Catch (JH1/JH2/JH15) - (extended +2)
(38) Patch Table HW1	180 (+100cm) x 90cm / 70.9 (+39.4in) x 35.4in	6 x Catch (JH1/JH2/JH15) - (extended +2)
(39) In Between Table SK12	Ø: 120cm / 47.2in	5 x Catch (JH1/JH2/JH15)
(40) In Between Table SK4	Ø: 120cm / 47.2in	4 x Catch (JH1/JH2/JH15)
(41) In Between Table SK11	Ø: 90cm / 35.4in	4 x Catch (JH1/JH2/JH15)
(42) In Between Table SK3	Ø: 90cm / 35.4in	3 x Catch (JH1/JH2/JH15)



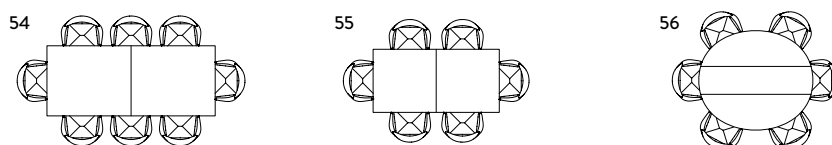
Elefy Dining Chair

Product	Size	Chairs
(43) In Between Table SK6	250 x 100cm / 98.4 x 39.3in	8 x Elefy (JH28 & JH29)
(44) In Between Table SK5	200 x 90cm / 78.7 x 35.4in	6 x Elefy (JH28 & JH29)
(45) Patch Table HW2	240 (+100cm) x 100cm / 94.5 (+39.4in) x 39.4in	8 x Elefy (JH28 & JH29) - (extended +2)
(46) Patch Table HW1	180 (+100cm) x 90cm / 70.9 (+39.4in) x 35.4in	6 x Elefy (JH28 & JH29) - (extended +2)
(47) In Between Table SK12	Ø: 120cm / 47.2in	5 x Elefy (JH28 & JH29)
(48) In Between Table SK4	Ø: 120cm / 47.2in	4 x Elefy (JH28 & JH29)
(49) In Between Table SK11	Ø: 90cm / 35.4in	3 x Elefy (JH28 & JH29)
(50) In Between Table SK3	Ø: 90cm / 35.4in	3 x Elefy (JH28 & JH29)



Drawn Dining Chair

Product	Size	Chairs
(51) Patch HW2	240 (+100cm) x 100cm / 94.5 (+39.4in) x 39.4in	10 x Drawn (HM3) / (extended +4)
(52) Patch HW1	180 (+100cm) x 90cm / 70.9 (+39.4in) x 35.4in	8 x Drawn (HM3) / (extended +4)
(53) Drop Leaf HM6	163 x 142cm / 64.2 x 55.9in	6 x Drawn (HM3)



Drawn Armrest Chair

Product	Size	Chairs
(54) Patch HW2	240 (+100cm) x 100cm / 94.5 (+39.4in) x 39.4in	8 x Drawn (HM4) / (extended +2)
(55) Patch HW1	180 (+100cm) x 90cm / 70.9 (+39.4in) x 35.4in	6 x Drawn (HM4) / (extended +2)
(56) Drop Leaf HM6	163 x 142cm / 64.2 x 55.9in	6 x Drawn (HM4)

Material care & cleaning

We challenge convention to create objects that rethink how we use materials and manufacturing techniques. We find beauty in objects that can be created by the latest industrial processes as well as those that maintain techniques that have evolved over a long period of time. We strive for timeless beauty and quality that is made to last.

Find below information about the materials and finishes used in the collection as well as guidelines for daily care, cleaning and maintenance.

Oiled oak & walnut

Oiled oak & walnut, whether solid or veneered, is a fundamental material in the &Tradition collection.

To a greater extent than lacquering and staining, oiling leaves the wood feeling and looking natural and still offers a good surface protection. Oiled wood will develop a natural patina and character over time which will only enhance the beauty of the material.

Solid oak and oak veneer is oiled using either white pigmented oil or a dark smoked oil. The white pigmented oil allows the oak to maintain its original and natural light colour for longer and thereby protects the wood from premature darkening and turning yellow. The smoked oil offers a unique dark finish and character. Variations in wood structure and colour are natural characteristics of solid oak. This feature is further enhanced when applying the smoked oil and should be seen as part of the overall product.

For daily care, dust oiled furniture with a soft dry cloth. Cleaning can be done using a soft cloth wrung in lukewarm water following the wood grain and dried immediately with a soft cloth following the wood grains. For more severe cleaning, a soap specifically developed for oiled wood can be used. Follow the instructions on the packaging of the cleaning product.

Solid walnut or walnut veneer is oiled using a natural coloured oil to maintain its original colour for longer and thereby protect the wood. To maintain the look and silky feeling of oiled wood, regular re-oiling is recommended. Re-oiling should be done when the wood starts to appear dry or faded. Usually, re-oiling once a year is sufficient. Re-oiling walnut can be done by applying standard natural oil for indoorwood products.

Avoid use of cleaning detergents and abrasive cleaning agents as they may damage the surface of the oiled wood. Avoid placing wooden furniture in direct sunlight, excessive heat or humidity.

Lacquered or stained wood

Lacquered or stained wood offers a stronger surface than oiling and is also effective when coloured surfaces are desired. Compared to oiled wood, lacquered and stained wood is easier to clean and requires minimal maintenance.

For daily care it is recommended to dust the furniture with a soft cloth. Lacquered and stained wood can be cleaned with a soft cloth wrung in a mild solution of lukewarm water and a universal cleaning detergent. Always follow the wood grains and always dry with a soft dry cloth immediately after cleaning.

Avoid use of abrasive cleaning agents and aggressive cleaning detergents as this will damage the surface of the lacquered or stained wood. Avoid placing wooden furniture in direct sunlight, excessive heat or humidity.

Linoleum

Tabletops with linoleum offers a soft touch surface that does not feel as cold and hard as laminate. Regular cleaning is done with a soft cloth wrung in a mild solution of lukewarm water and a universal cleaning detergent.

Avoid placing sharp objects on the surface as this may scratch the tabletop. It is recommended to use trivets or coasters under flowerpots, vases, cups etc.

Fenix NTM Nano laminate

Fenix NTM Nano laminate is a soft touch laminate based on nano technology and is used for tabletops as an alternative to linoleum and standard laminate. The nano laminate offers unique features such as scratch resistance, soft touch, low light reflectivity, antifingerprint and much more.

For more details about the unique properties of nano laminate, as well as cleaning and maintenance refer to: www.fenixntm.com/en

Lacquered & Powder coated metal

The majority of the lighting products in the &Tradition collection have a lacquered or powder coated surface.

The True Colour vases have a protective lacquered finish and some furniture has powder coated parts. These surfaces are durable, require no maintenance and offer an endless palette of colours, textures and gloss.

It is recommended only to use a soft, dry cloth to clean lacquered and powder coated surfaces but in case more severe cleaning is necessary, a soft cloth wrung in lukewarm water can be carefully applied. Always dry immediately after cleaning with a soft, dry cloth. Avoid using abrasive cleaning agents or aggressive cleaning detergents on lacquered or powder coated surfaces as this may permanently damage the surface.

Stainless steel

Stainless steel is used on both lighting products and furniture in either a mirror-polished or satin-polished finish. Stainless steel is a classic strong corrosion resistant material that requires no surface protection and will not change appearance over time.

Dust stainless steel products for daily care using only a soft, dry cloth. Cleaning of stainless steel should be done only by using a cleaning detergent specifically for stainless steel. Follow the instructions on the packaging. Cleaning agents not developed specifically for stainless steel may permanently damage the surface of the stainless steel and should never be used.

Brass & Copper

Brass and copper is used for both lighting products and furniture in either a mirror-polished or satin-polished finish. Depending on the product, the brass and copper may be coated using a transparent lacquer or left untreated. Coated brass and copper will not change appearance over time whereas uncoated brass and copper will develop a unique and beautiful patina, over time adding character to the product.

For daily cleaning of coated brass and copper it is recommended only to use a soft dry, cloth. For removal of stains, a soft cloth wrung in lukewarm water can be carefully applied. Always dry immediately after with a soft dry cloth. For daily cleaning of uncoated brass and copper it is recommended only to use a soft, dry cloth. In case a patina of the material is not desired, the material can be regularly cleaned and polished using a detergent specifically for brass and copper.

Avoid using abrasive cleaning agents or aggressive cleaning detergents on coated and uncoated brass and copper as this will permanently damage the surface.

Anodised aluminium

The aluminium used on the column shelves is either anodized black or in a natural

Material care & cleaning

hand polished finish which is treated with a protective wax. Both versions can be cleaned using a soft cloth wrung in lukewarm water. Always dry immediately afterwards with a soft cloth. Avoid use of abrasive cleaning products such as steel wool or polish. Never use aggressive or abrasive cleaning detergents for any parts of the shelf, as this will cause irreparable damage.

Marble & Travertine

Marble and travertine are used in the &Tradition collection on both lighting products and furniture.

The natural material offers a distinctive and exclusive look and two items will never look the same.

The marble and travertine used on &Tradition tabletops are treated with a sealer which makes the tabletop more stain resistant than when left untreated. However, it is strongly recommended to always use a trivet and not to place glasses or cups with liquids directly onto the tabletop. As natural materials, marble & travertine are sensitive to liquids and if not removed immediately, spilled liquids will leave a permanent stain on the tabletop.

For daily care and cleaning it is recommended to use a cleaning agent specifically developed for stone or marble. It is also highly recommended to do a re-sealing of the tabletop approximately every second month using an appropriate sealer developed specifically for stone or marble. The marble used on lighting products has no surface protection and is therefore more exposed to stains and marks. If possible, it is recommended only to clean marble on lighting products with a soft, dry cloth. In case more severe cleaning is necessary, use a cleaning agent specifically developed for stone or marble. Avoid using abrasive cleaning agents or aggressive cleaning detergents on marble as this will permanently damage the surface.

Glass

Glass, in various colours and shapes, is an important material in the &Tradition lighting collection. All glass is mouth-blown and hand crafted which ensures that each item is unique and displays individual characteristics. Examples of characteristics of mouthblown glass are minor air bubbles and variations in form and thickness.

A number of the glass products in the lighting collection are coloured in silver and gold tones using a traditional luster painting technique. Luster is applied with a brush to the clear glass by skilled craftsmen and the glass is subsequently burned at +450°C to melt the luster colour into the glass mass. The process ensures a very smooth and highly scratch resistant surface. Since the entire process of applying the luster is performed by hand, slight deviations in colour may occur from item to item. Daily cleaning of glass is best done using a soft, dry cloth. If more severe cleaning is necessary, it is recommended to use a soft cloth with a standard glass cleaning detergent and then to follow by drying with a soft, dry cloth. Avoid using abrasive cleaning agents on the glass as this will damage the surface.

Collect glassware

Normal dishwasher liquid can be used and all items are dishwasher safe (max. 50°). Do not use any cleaning detergents with harsh chemicals or abrasives.

For more severe cleaning, soaking the product overnight in water and vinegar is recommended.

Mirror

Use household glass cleaner for the mirror. To avoid damaging the surface of the mirror frame, always spray the glass cleaner onto a soft cloth and clean the mirror.

Plastic

For daily cleaning it is recommended to use a soft cloth wrung in lukewarm water. For more severe cleaning a mild detergent can be used. Always dry immediately after.

Upholstery webbing

We recommend maintaining braided upholstery webbing regularly, as dirt and dust etc. will cause wear and tear on the material through use.

General Maintenance

We recommend that you vacuum upholstery webbing once a week using the soft nozzle attachment of your vacuum cleaner (used for textiles and softer furnishings) in order to ensure the longest possible life of the product.

It should not be necessary to clean upholstery webbing often as the material has a slightly dirt-repellent surface.

Stain removal

If an accident occurs and cleaning or stain removal is necessary, the following applies:

- The faster a stain is treated, the greater the possibility that the stain can be removed.
- Spilled liquids should be dabbed – not scrubbed – with a clean, lint-free cloth wrung in clean and lukewarm water, as soon as possible.
- Regardless of the size of the stain, it is important that you clean it working from the outer edge of the stain and move in towards the centre of the stain, so that the damaged area is reduced as much as possible.
- You should not rub or scrub the material as this can damage the material's colour, structure and strength which can worsen the state of the stain.
- If a stain has dried, is from a firmer substance, or has greasy contents, it may be possible to scrape off the stain residue with a blunt knife or a spatula, before continuing any necessary treatment with a suitable stain remover.
- When using a suitable stain remover on a small area, you should carefully follow the manufacturer's instructions for use. It is recommended to test the stain remover on a less visible area of the material first – before cleaning the affected area – to see if the product works as intended, or to see if the product damages the webbing.
- If a stain is very big or has soaked into and through the material, it is recommended to contact a professional furniture cleaner before trying to remove the stain yourself, as it may require a special treatment depending on the nature and location of the stain.

Disclaimer

- Do not use solvents, undiluted detergents, soaps, bleaches or ammonia on the material.
- Please be aware that especially new non-colourfast clothing and dark jeans can potentially leak colour onto the webbing. Any such leakage may not be possible to remove, as the excess colour can soak deep into the material.

Handloomed-woven rugs

The rugs in the &Tradition collection are handmade in India by skilled craftsmen using carefully selected natural materials. Being handmade, each rug will have its own unique character and therefore the patterns and colours of two rugs will never be identical.

A new rug will shed excess fibers that were not fully spun into the yarn during spinning. This is normal and over time, the shedding will lessen and eventually stop.

To prolong the lifetime of a rug, it is highly recommended to use a rug underlay. An underlay ensures that the rug remains in a fixed position and will also reduce the risk of staining.

For daily care, vacuum the rug regularly to keep it free from fluff and dust or sand particles which will wear and tear the rug over time if not removed. Spots can be attempted to be removed by dabbing very gently with a damp cloth soaked in carbonated water. In case more thorough cleaning is necessary, professional cleaning is recommended.

Placing a rug in direct sunlight is not recommended as it will fade the colours of the rug over time.

Sheepskin

Easy on the eye and soft to the touch, sheepskin makes for exceptional and hard-wearing upholstery. It is defined by a dense and curly fleece that comes intact in its most natural form, where pieces are distinctly unique, and their look varies from product to product.

As with most natural materials, differences in structure, density and thickness are expected, as two pieces of sheepskin never look identical and tend to show natural variations in both curls and tones.

Please note that the wool's fibres might naturally become entangled in time. And in regards to colour, each skin's ability to maintain its original tone or absorb applied dye might vary, especially if exposure to sunlight is high. We recommend to keep sheepskin-upholstered products away from direct sunlight to avoid discolouring.

In order to preserve the skin's highly tactile, soft nature, we suggest vacuum cleaning on a weekly basis, and when stained, spots should be soaked with water as promptly as possible. For bigger stains, place a clean towel on the spill and let it absorb as much liquid as possible. For cleaning, we recommend the use of a sponge, lukewarm water and mild wool detergent.

Leather

Imperfect Beauty

High quality, natural leather is not flawless. &Tradition leather, like all other top-quality leather, may have some minor visible marks from the natural life of the animal. These characteristics give each &Tradition leather product a unique beauty and charm but do not affect the overall strength or durability of the product.

&Tradition has distinct quality standards for which these markings are acceptable. Varying degrees of markings are permitted according to how visibly they appear on the product as a whole.

The aniline leather NOBLE is surface treated with a very thin layer of wax which makes it possible for the material to 'breathe'. The semi-aniline leather TAILOR is slightly buffed and lightly surface treated which makes the leather more durable and ensures a higher lightfastness.

Natural Characteristics

Typical natural characteristics which may be visible on the leather are:

- Fat creases
- Neck wrinkles/spine marks
- Healed scars
- Vein marks
- Insect bites
- Slight colour differences from one leather hide to another
- Variation in the natural grain from one hide to another, and sometimes even within a singular hide

Patina

Aniline leather will age beautifully, with each piece gaining its own patina. Over time, the natural leather will continue to develop a slightly different tone and as part of its unique appeal, it will not look exactly the same as on the day it was originally bought.

Before Use

Leather furniture should not be exposed to direct sunlight, positioned close to heat sources or kept in very dry or highly airconditioned environments. This is a natural material which does not perform well when put under these conditions and doing such may result in the leather drying out and becoming stiff and inflexible.

Maintenance

To prolong the life of the leather it is important to frequently vacuum with a soft brush or gently wipe with a soft, dry cloth.

Never use cleaning detergents or sharp objects on the leather as this may damage the surface.

Instead of trying to remove minor spots or stains, they should be left untreated as

over time they should fade and disappear.

Care

The natural material should be treated with a special aniline leather care cream at least four times a year.

Aniline leather gets dry over time, so it is important to keep the leather conditioned and moisturised to retain optimal softness, flexibility and seating comfort.

Follow the instructions of the special care product; apply cream on a soft, lint-free cloth, massage in light circular motions from seam to seam on the furniture component. Let dry before taking in to use.

Cleaning

Cleaning is done under customer's own responsibility

If leather is soiled, it should be wiped with a soft, clean, damp, lint-free cloth wrung in lukewarm, demineralised water. Alternatively, you can attempt to absorb as much liquid as possible from the soaked leather with a clean kitchen towel.

Do not spot clean leather - clean the entire surface from seam to seam.

Never scrub the leather in an isolated area as this will discolour and tear the material.

If extensive cleaning is needed, it is recommended to use a solution of clean boiled water or demineralised water with a dilution of mild, natural, high-quality soap flakes:

1. Use 0,5DL soap flakes for 1L water. Whip soap flakes in the water until fully dissolved.
2. When the solution is lukewarm, the foam must be gently rubbed onto the leather surface with a soft, clean, cotton cloth using circular motions. It is essential that only the foam from the solution is used. Make sure the foam is equally distributed on the whole surface from seam to seam. Be sure to never soak the surface.
3. When the furniture is dry, the leather should be polished with a very soft, lint-free cloth.
4. After cleaning, it is necessary to apply a special leather care cream.

Large Spills or Damages

If large areas are soiled or the surface is very damaged, contact a professional cleaning firm.

Rattan

In order to retain the strength and flexibility of rattan wicker the material needs to be maintained with a soap treatment 10-12 times a year using the following solution:

- Prepare 1 teaspoon of soap flakes dissolved in 1 litre of lukewarm water.
- Spray the solution on both the front and the back of the rattan and allow it to penetrate.
- If needed, wipe away any leftover liquid with a damp cloth.

Rattan has a delicate white expression when new. This will develop over time, darkening and forming a beautiful patina.

Velvet

Dry stain and soil

On all the articles in our living environment dust and dirt will settle. So it happens also on our upholstered furniture. Do not allow the dust and dirt become to excessive, otherwise it will be more difficult to remove. The upholstered furniture should be cleaned regularly to ensure prolonged life and appearance.

The best way for regular maintenance is: Vacuum cleaning and brushing. Vacuum cleaning and brushing, with a hard cloth brush, always in the direction of the pile naps. To remove stain or in case of fundamental cleaning from your upholstery you better can contact your local upholstery cleaning specialist. You can obtain addresses from

your local Consumer Enquiry Office.

They have the experience in dry shampooing and that kind of cleaning processes.

Wet staining

Liquids can be removed by dabbing with paper towel, a clean tea cloth or kitchen towel. Don't rub, only dabbing! For hot liquids you do the same, but there is less rescue time between messing and dabbing. The hot fluid penetrates much quicker in the fabric than cold liquids.

To remove food you scrape the dirt with a spoon or a knife from the fabric and dab the stain with a cold solution of water and detergent. Don't use hot cleaning liquid, because coloured components of the stain will more penetrate the fabric at higher temperature and stay there.

We can't give a general advice about removing Ink, paints, etc. This kind of staining, mostly you can use a solvent as alcohol, dry cleaning solvents or something like that. Look in a local stain removal advisory table for the best solution.

Note: The S-finish (Teflon) is a release finish with additional a temporary repellent effect, that brings you rescue time between making the mess and removing it. It gives you a delay time, but it don't prevent staining or fouling.

Note: We don't have enough 'local knowledge' about the composition of food, drinks and other frequent used products which may cause staining of your upholstery fabric. Please contact your local cleaning specialist or look at a local website for stain remove advisory tables.

Flattening out pile naps

On velvets, which are not regularly maintained, certain wellworn areas will be formed and will show pile tangling over a period of time. Depending on the colour, you will see it as a change of shade.

By sitting you exert a pressure on the velvet fabric forcing the pile naps in any direction. In combination with heat, the rising air humidity, the body moisture and the kind of filling material under the velvet the changes direction of the pile naps is 'partly fixed'. You can notice this as a change of shade. This is a typical property of velvet fabric and it is neither a defect or a sign of low quality.

You can treat this marks of wear and tear as follows: Take a clean, white/not coloured, warm, damp piece of cloth and lay it several hours or a night over the velvet. The moisture will restore the cotton velvet. The upholstery velvet should not be used before it is complete dry!

Fabric Overview

Manufacturer	Fabric	Martindale	BS 5852 (Part 1)	EN 1021 (Part 1/2)	US. Cal. Bull 117-2013	BS5852 Crib 5.	CRIB 5 Treatable
Kvadrat	Balder	100.000	•	•	•		•
	Canvas	100.000	•	•	•		•
	Clay	45.000	•	•			•
	Divina Melange	44.000	•	•	•		•
	Duke	70.000					•
	Fiord	60.000	•	•	•		•
	Gentle	80.000	•	•	•		•
	Hallingdal	100.000	•	•	•	•	
	Harald	100.000		•			
	Maple	30.000	•	•	•		•
	Moss	50.000	•	•			•
	Remix	100.000	•	•	•		•
	Re-Wool	100.000	•	•	•		•
	Sisu	70.000	•	•	•		•
	Steelcut 2	83.000	•	•	•		•
	Steelcut Trio 3	120.000	•	•	•		•
	Sunniva	50.000		•	•		•
	Uniform Melange	80.000	•	•	•		•
	Vidar	100.000	•	•	•		•
	Zero	70.000		•			•

◦ Pass with treatment.

* Can be tested upon request.

Fabric Overview

Manufacturer	Fabric	Martindale	BS 5852 (part 1)	EN 1021 (part 1/2)	Us. Cal. Bull 117-2013	BS5852 Crib 5.	CRIB 5 Treatable
&Tradition	Noble Aniline leather		•	•	•		
	Tailor Semi-aniline leather		•	•	•		
Continental	Skai Parotega		•	•	•	•	
Dedar	Atlas	26.000	•		•		•
	Karakorum	40.000	•	•	•	•	
	Nimbus	40.000	•		•	•	
	Serafino	29.000	•	•			•
	Svevo	40.000	•		•	•	
Elmo Leathers	Elmosoft Semi-aniline		•	•	•		
JAB	Hot Madison	55.000	•		•		•
Nevotex	Ritz	100.000		•			
Romo	Linara	36.000		•	•		•
	Loop	60.000	•	• (part 1)	•		•
	Ruskin	60.000	◦	•			•
Scandilock	Sheepskin		•		•	•	

◦ Pass with treatment.

* Can be tested upon request.

Packaging Information

Product	Model	Category	Height cm	Width cm	Length cm	Weight	Colli qty.
Catch	JH1	Chair	90	61	61	15.50 kg	1 pc
Catch	JH2	Chair	90	61	61	16.50 kg	1 pc
Catch	JH15	Chair	90	61	61	15.50 kg	1 pc
Catch	JH13	Lounge Chair	90	84	94	19.00 kg	1 pc
Catch	JH14	Lounge Chair	90	84	94	19.00 kg	1 pc
Catch	JH16	Counter Chair	125	61	61	21.20 kg	1 pc
Catch	JH17	Bar Chair	125	61	61	19.50 kg	1 pc
Elefy	JH28	Chair	83	59	59	9.40 kg	1 pc
Elefy	JH29	Chair	83	59	59	11.20 kg	1 pc
Elefy	JH30	Chair	83	59	59	10.00 kg	1 pc
Elefy	JH31	Chair	83	59	59	11.80 kg	1 pc
Elefy	JH32	Chair	83	59	59	12.20 kg	1 pc
Elefy	JH33	Chair	83	59	59	14.00 kg	1 pc
Elefy	JH34	Chair	83	59	59	12.20 kg	1 pc
Elefy	JH35	Chair	83	59	59	14.00 kg	1 pc
Elefy	JH36	Chair	83	59	59	12.70 kg	1 pc
Elefy	JH37	Chair	83	59	59	14.50 kg	1 pc
In Between	SK1	Chair	95	72	60	13.30 kg	2 pcs
In Between	SK2	Chair	95	72	60	13.80 kg	2 pcs
In Between	SK7	Counter Chair	104	54	60	8.50 kg	1 pc
In Between	SK8	Counter Chair	104	54	60	8.70 kg	1 pc
In Between	SK9	Bar Chair	104	54	60	8.90 kg	1 pc
In Between	SK10	Bar Chair	104	54	60	9.10 kg	1 pc
Pavilion	AV1	Chair	89	55	55	17.40 kg	2 pcs
Pavilion	AV2	Chair with Armrest	87	58	59	19.45 kg	2 pcs
Pavilion	AV3	Chair	89	55	55	18.40 kg	2 pcs
Pavilion	AV4	Chair with Armrest	87	58	59	20.45 kg	2 pcs
Pavilion	AV5	Lounge Chair	70	69	65	8.95 kg	1 pc
Pavilion	AV6	Lounge Chair	70	69	65	8.95 kg	1 pc
Pavilion	AV7	Counter Chair	97	51	53	7.25 kg	1 pc
Pavilion	AV8	Counter Chair	97	51	53	7.35 kg	1 pc
Pavilion	AV9	Bar Chair	95	52	50	7.25 kg	1 pc
Pavilion	AV10	Bar Chair	95	52	50	7.25 kg	1 pc
Pavilion	AV11	Lounge Chair	70	69	65	8.95 kg	1 pc
Pavilion	AV12	Chair	89	55	55	18.40 kg	2 pcs
Pavilion	AV13	Chair with Armrest	87	58	59	20.45 kg	2 pcs
Pavilion	AV14	Counter Chair	97	51	53	7.35 kg	1 pc
Pavilion	AV15	Bar Chair	95	52	50	7.25 kg	1 pc
Rely	HW6	Chair	84	51	60	9.05 kg	1 pc
Rely	HW7	Chair	84	51	60	10.35 kg	1 pc

Packaging Information

Product	Model	Category	Height cm	Width cm	Length cm	Weight	Colli qty.
Rely	HW8	Chair	84	51	60	9.55 kg	1 pc
Rely	HW9	Chair	84	51	60	10.65 kg	1 pc
Rely	HW10	Chair	84	51	60	10.65 kg	1 pc
Rely	HW11	Chair	84	51	60	11.65 kg	1 pc
Rely	HW12	Chair	84	51	60	12.95 kg	1 pc
Rely	HW13	Chair	84	51	60	12.15 kg	1 pc
Rely	HW14	Chair	84	51	60	13.25 kg	1 pc
Rely	HW15	Chair	84	51	60	13.25 kg	1 pc
Rely	HW16	Chair	84	51	60	11.65 kg	1 pc
Rely	HW17	Chair	84	51	60	12.95 kg	1 pc
Rely	HW18	Chair	84	51	60	12.15 kg	1 pc
Rely	HW19	Chair	84	51	60	13.25 kg	1 pc
Rely	HW20	Chair	84	51	60	13.25 kg	1 pc
Rely	HW21	Chair	84	51	60	11.65 kg	1 pc
Rely	HW22	Chair	84	51	60	12.95 kg	1 pc
Rely	HW23	Chair	84	51	60	12.15 kg	1 pc
Rely	HW24	Chair	84	51	60	13.25 kg	1 pc
Rely	HW25	Chair	84	51	60	13.25 kg	1 pc
Rely	HW26	Chair	84	56	60	8.80 kg	1 pc
Rely	HW27	Chair	84	56	60	8.80 kg	1 pc
Rely	HW65	Chair	84	56	60	14.20 kg	2 pcs
Rely	HW66	Chair	84	56	60	16.20 kg	2 pcs
Rely	HW67	Chair	84	56	60	15.60 kg	2 pcs
Rely	HW68	Chair	84	56	60	17.80 kg	2 pcs
Rely	HW69	Chair	84	56	60	17.80 kg	2 pcs
Rely	HW28	Chair	82	68	68	12.50 kg	1 pc
Rely	HW29	Chair	82	68	68	13.80 kg	1 pc
Rely	HW30	Chair	82	68	68	13.00 kg	1 pc
Rely	HW31	Chair	82	68	68	14.10 kg	1 pc
Rely	HW32	Chair	82	68	68	14.10 kg	1 pc
Rely	HW33	Chair	85	62	62	10.90 kg	1 pc
Rely	HW34	Chair	85	62	62	12.10 kg	1 pc
Rely	HW35	Chair	85	62	62	5.70 kg	1 pc
Rely	HW36	Chair	85	62	62	6.80 kg	1 pc
Rely	HW37	Chair	85	62	62	6.80 kg	1 pc
Rely	HW38	Chair	85	62	62	13.40 kg	1 pc
Rely	HW39	Chair	85	62	62	14.70 kg	1 pc
Rely	HW40	Chair	85	62	62	9.40 kg	1 pc
Rely	HW41	Chair	85	62	62	9.40 kg	1 pc
Rely	HW42	Chair	85	62	62	9.40 kg	1 pc

Packaging Information

Product	Model	Category	Height cm	Width cm	Length cm	Weight	Colli qty.
Rely	HW43	Chair	85	62	62	13.40 kg	1 pc
Rely	HW44	Chair	85	62	62	14.70 kg	1 pc
Rely	HW45	Chair	85	62	62	8.30 kg	1 pc
Rely	HW46	Chair	85	62	62	9.40 kg	1 pc
Rely	HW47	Chair	85	62	62	9.40 kg	1 pc
Rely	HW48	Chair	85	62	62	13.40 kg	1 pc
Rely	HW49	Chair	85	62	62	14.70 kg	1 pc
Rely	HW50	Chair	85	62	62	8.30 kg	1 pc
Rely	HW51	Chair	85	62	62	9.40 kg	1 pc
Rely	HW52	Chair	85	62	62	9.40 kg	1 pc
Rely	HW53	Chair	85	62	62	14.50 kg	1 pc
Rely	HW54	Chair	85	62	62	15.80 kg	1 pc
Rely	HW55	Chair	85	68	68	9.40 kg	1 pc
Rely	HW56	Chair	85	68	68	10.50 kg	1 pc
Rely	HW57	Chair	85	68	68	10.50 kg	1 pc
Rely	HW70	Outdoor Chair	84	51	60	8.80 kg	1 pc
Rely	HW71	Chair	84	51	60	5.68 kg	1 pc
Rely	HW72	Chair	84	51	60	6.48 kg	1 pc
Rely	HW73	Chair	84	51	60	6.18 kg	1 pc
Rely	HW74	Chair	84	51	60	7.28 kg	1 pc
Rely	HW75	Chair	84	51	60	7.28 kg	1 pc
Rely	HW76	Chair	85	62	62	7.04 kg	1 pc
Rely	HW77	Chair	85	62	62	8.24 kg	1 pc
Rely	HW78	Chair	85	62	62	7.74 kg	1 pc
Rely	HW79	Chair	85	62	62	7.98 kg	1 pc
Rely	HW80	Chair	85	62	62	7.98 kg	1 pc
Rely	HW81	Counter stool	81	46	47	6.98 kg	1 pc
Rely	HW82	Counter stool	81	46	47	7.73 kg	1 pc
Rely	HW83	Counter stool	81	46	47	7.28 kg	1 pc
Rely	HW84	Counter stool	81	46	47	7.93 kg	1 pc
Rely	HW85	Counter stool	81	46	47	7.93 kg	1 pc
Rely	HW86	Bar stool	91	46	47	7.22 kg	1 pc
Rely	HW87	Bar stool	91	46	47	7.97 kg	1 pc
Rely	HW88	Bar stool	91	46	47	7.52 kg	1 pc
Rely	HW89	Bar stool	91	46	47	8.17 kg	1 pc
Rely	HW90	Bar stool	91	46	47	8.17 kg	1 pc
Rely	HW91	Counter chair	103	51	55	9.42 kg	1 pc
Rely	HW92	Counter chair	103	51	55	10.22 kg	1 pc
Rely	HW93	Counter chair	103	51	55	9.92 kg	1 pc
Rely	HW94	Counter chair	103	51	55	11.02 kg	1 pc

Packaging Information

Product	Model	Category	Height cm	Width cm	Length cm	Weight	Colli qty.
Rely	HW95	Counter chair	103	51	55	11.02 kg	1 pc
Rely	HW96	Bar chair	113	51	55	9.74 kg	1 pc
Rely	HW97	Bar chair	113	51	55	10.54 kg	1 pc
Rely	HW98	Bar chair	113	51	55	10.24 kg	1 pc
Rely	HW99	Bar chair	113	51	55	11.34 kg	1 pc
Rely	HW100	Bar chair	113	51	55	11.34 kg	1 pc
Rely	HW101	Lounge Chair	77	62	62	6.42 kg	1 pc
Rely	HW102	Lounge Chair	77	62	62	7.62 kg	1 pc
Rely	HW103	Lounge Chair	77	62	62	7.12 kg	1 pc
Rely	HW104	Lounge Chair	77	62	62	7.36 kg	1 pc
Rely	HW105	Lounge Chair	77	62	62	7.36 kg	1 pc
Rely	ATD4	Outdoor Table Top	4	65	75	8.10 kg	1 pc
Rely	ATD5	Outdoor Table Top	4	75	75	7.00 kg	1 pc
Rely	ATD4 & ATD5	Outdoor Table base	14	49	49	7.10 kg	1 pc
Betty	TK1	Stackable Chair	86	52	52	9.95 kg	2 pcs
Betty	TK2	Stackable Chair	86	52	52	12.15 kg	2 pcs
Betty	TK3	Chair	86	53	52	13.15 kg	2 pcs
Betty	TK4	Bench	8	108	38	7.40 kg	1 pc
Betty	TK5	Bench	8	159	38	9.80 kg	1 pc
Betty	TK7	Stool	70	42	42	4.90 kg	1 pc
Betty	TK8	Stool	80	42	42	4.90 kg	1 pc
Boomerang	HM1	Lounge Chair	81	79	80	8.00 kg	1 pc
Boomerang	HM2	Lounge Chair	81	79	80	9.00 kg	1 pc
X chair	HM10	Lounge Chair	80	81	69	14.15 kg	1 pc
Drawn	HM3	Chair	78	46	49	6.50 kg	1 pc
Drawn	HM4	Chair	78	46	54	8.70 kg	1 pc
Little Petra	VB1	Lounge Chair	88	88	88	27.20 kg	1 pc
Little Petra	VB2	Sofa	85	150	78	43.10 kg	1 pc
Little Petra & Pouf	VB1 & ATD1	Lounge chair & Pouf	80	88	88	32.30 kg	1 pc
Pouf	ATD1	Pouf	41	53	53	6.80 kg	1 pc
Wulff	ATD2	Lounge Chair	90	91	93	15.00 kg	1 pc
Wulff	ATD3	Pouf	42	55	60	8.50 kg	1 pc
Wulff	ATD2 & ATD3	Lounge Chair & Pouf	90	91	93	32.60 kg	1 pc
Loafer	SC23	Lounge Chair	80	75	75	31.50 kg	1 pc
Loafer	SC24	Chair	80	65	65	33.20 kg	1 pc
Loafer	SC25	Sofa	80	153	73	43.80 kg	1 pc
Loafer	SC26	Sofa	80	188	73	54.10 kg	1 pc
Margas	LC1	Lounge Chair	81	95	95	26.00 kg	1 pc
Margas	LC2	Lounge Chair	81	95	95	32.00 kg	1 pc
Margas	LC3	Sofa	81	165	95	38.00 kg	1 pc

Packaging Information

Product	Model	Category	Height cm	Width cm	Length cm	Weight	Colli qty.
Mayor	AJ5	Sofa	80	211	73	82.00 kg	1 pc
Mayor	AJ6	Sofa	80	150	74	57.00 kg	1 pc
Cloud	LN1	Lounge Chair	75	89	108	63.80 kg	1 pc
Cloud	LN2	Sofa	75	90	179	83.95 kg	1 pc
Cloud	LN3.2	Sofa	76	90	228	102.40 kg	1 pc
Cloud High Back	LN5	Lounge Chair	120	109	90	73.80 kg	1 pc
Cloud High Back	LN6	Sofa	120	179	90	98.25 kg	1 pc
Cloud High Back	LN7	Sofa	120	229	90	118.70 kg	1 pc
Inland	AV22	Sofa	69	102	182	78.10 kg	1 pc
Inland	AV23	Sofa	69	104	231	92.00 kg	1 pc
Inland	AV21	Lounge Chair	73	104	97	66.00 kg	1 pc
Inland	AV32	Pouf	43	109	82	46.00 kg	1 pc
Develius	EV5	Modular Sofa	50	80	17	6.05 kg	1 pc
Develius	EV6	Modular Sofa	50	50	15	3.10 kg	1 pc
Develius	EV7	Modular Sofa	35	50	13	1.70 kg	1 pc
Develius	EV1A	Modular Sofa	74	114	93	57.10 kg	1 pc
Develius	EV1B	Modular Sofa	74	114	93	57.10 kg	1 pc
Develius	EV1C	Modular Sofa	74	94	94	42.35 kg	1 pc
Develius	EV1D	Modular Sofa	74	94	94	42.35	1 pc
Develius	EV1E	Modular Sofa	46	93	93	31.50 kg	1 pc
Develius	EV1F	Modular Sofa	74	114	93	57.10 kg	1 pc
Develius	EV1G	Modular Sofa	74	114	93	57.10 kg	1 pc
Develius	EV1H	Modular Sofa	74	115	155	79.40 kg	1 pc
Develius	EV1I	Modular Sofa	74	115	155	79.40 kg	1 pc
Develius	EV1J	Modular Sofa	74	114	93	57.10 kg	1 pc
Develius	EV1K	Modular Sofa	74	114	93	57.10 kg	1 pc
Develius	EV2A	Modular Sofa	74	135	112	71.70 kg	1 pc
Develius	EV2B	Modular Sofa	74	135	112	71.70 kg	1 pc
Develius	EV2C	Modular Sofa	74	115	115	64.90 kg	1 pc
Develius	EV2D	Modular Sofa	74	115	115	65.90 kg	1 pc
Develius	EV2E	Modular Sofa	46	114	112	38.90 kg	1 pc
Develius	EV2F	Modular Sofa	74	135	112	65.70 kg	1 pc
Develius	EV2G	Modular Sofa	74	135	112	65.70 kg	1 pc
Develius	EV2J	Modular Sofa	74	135	112	71.70 kg	1 pc
Develius	EV2K	Modular Sofa	74	135	112	71.70 kg	1 pc
Isole	NN1A	Modular Sofa	26.5	66.5	66.5	9.50 kg	1 pc
Isole	NN1B	Modular Sofa	22.5	61.5	67.5	8.30 kg	1 pc
Isole	NN1C	Modular Sofa	22.5	46.6	68	6.90 kg	1 pc
Isole	NN1D	Modular Sofa	3	31	31	1.50 kg	1 pc
Isole	NN1E	Modular Sofa	3	21	65.5	2.35 kg	1 pc

Packaging Information

Product	Model	Category	Height cm	Width cm	Length cm	Weight	Colli qty.
Isole	NN1F	Modular Sofa	3	66	66	7.70 kg	1 pc
Isole	NN1G	Modular Sofa	7	4	4	0.50 kg	1 pc
Fly	SC10	Lounge Chair	53	75	75	28.80 kg	1 pc
Fly	SC1	Lounge Chair	53	91	84	35.10 kg	1 pc
Fly	SC2	Sofa	53	166	84.5	63.80 kg	1 pc
Fly	SC3	Sofa	53	240.5	84.5	77.25 kg	1 pc
Fly	SC12	Sofa	53	240.5	84.5	76.75 kg	1 pc
Fly	SC9	Pouf Base	11	85	96	14.60 kg	1 pc
Fly	SC9	Pouf Pillow	20	80	80	8.00 kg	1 pc
Fly	SC4	Table Top	8	88	88	41.90 kg	1 pc
Fly	SC4	Table Base	11	85	96	14.60 kg	1 pc
Fly	SC5	Table Top	8	67	128	59.90 kg	1 pc
Fly	SC5	Table Base	7	75	126	15.90 kg	1 pc
Fly	SC11	Table Top	15	136	136	92.90 kg	1 pc
Fly	SC11	Table Base	9	125	135	48.00 kg	1 pc
In Between	SK3/SK11	Table Top	4.5	92	92	19.95 kg	1 pc
In Between	SK3	Table Legs	25.5	81	23	8.60 kg	1 pc
In Between Center Base	SK11	Support	60	60	5	8.30 kg	1 pc
In Between Center Base	SK11	Column	75	19	19	8.00 kg	1 pc
In Between Center Base	SK11	Base	60	60	5	20.00 kg	1 pc
In Between	SK4/SK12	Table Top	4.5	122.5	120	37.50 kg	1 pc
In Between	SK4	Table Legs	25.5	81	23	10.10 kg	1 pc
In Between Center Base	SK12	Support	5	75	75	16.00 kg	1 pc
In Between Center Base	SK12	Column	75	19	19	8.00 kg	1 pc
In Between Center Base	SK12	Base	5	75	75	24.00 kg	1 pc
In Between	SK23	Lounge table	7	65	125	11.3 kg	1 pc
In Between	SK24	Lounge table	7	105	105	16.8 kg	1 pc
In Between	SK5	Table Top	10	100	215	50.00 kg	1 pc
In Between	SK5	Table Legs	20	78	87	13.00 kg	1 pc
In Between	SK6	Table Top	10	110	265	67.80 kg	1 pc
In Between	SK6	Table Legs	20	78	97	13.50 kg	1 pc
In Between	SK13	Lounge table	7	63	63	5.05 kg	1 pc
In Between	SK14	Lounge table	7	75	75	7.15 kg	1 pc
In Between	SK15	Lounge table	7	105	105	15.35 kg	1 pc
In Between	SK16	Table top - Marble	8	80	70	40.00 kg	1 pc
In Between	SK16	Table top - Fenix	5	64	74	0.95 kg	1 pc
In Between	SK17	Table top - Fenix	64	64	5	0.95 kg	1 pc
In Between	SK18	Table top - Marble	8	100	100	61.00 kg	1 pc
In Between	SK19	Table top - Marble	8	130	130	104.00 kg	1 pc
In Between	SK20	Table top - Marble	8	160	160	160.00 kg	1 pc

Packaging Information

Product	Model	Category	Height cm	Width cm	Length cm	Weight	Colli qty.
In Between	SK21	Table top - Marble	8	80	70	40.00 kg	1 pc
In Between	SK21	Table top - Fenix	5	64	74	0.95 kg	1 pc
In Between	SK22	Table top - Fenix	64	64	5	0.95 kg	1 pc
In Between	SK16, SK17, SK21, SK22	Support	5	50	50	6.20 kg	1 pc
In Between	SK18	Support	5	60	60	9.00 kg	1 pc
In Between	SK19 & SK20	Support	5	75	75	14.90 kg	1 pc
In Between	SK16 & SK17	Column	10	75	10	1.70 kg	1 pc
In Between	SK18	Column	15	76	15	5.50 kg	1 pc
In Between	SK19 & SK20	Column	18	76	18	6.00 kg	1 pc
In Between	SK21 & SK22	Column	5	105	10	2.50 kg	1 pc
In Between	SK16, SK17, SK21, SK22	Base	5	50	50	12.50 kg	1 pc
In Between	SK18	Base	5	60	60	18.40 kg	1 pc
In Between	SK19 & SK20	Base	5	75	75	29.70 kg	1 pc
Patch	HW1	Extendable Table	14	97	187	90.25 kg	1 pc
Patch	HW2	Extendable Table	14	107	247	110.70 kg	1 pc
Drip	HW58	Table Top	7	84	144	19.9 kg	1 pc
Drip	HW58	Legs	8	234	26	12.3 kg	1 pc
Drip	HW59	Table Top	7	84	194	23.2 kg	1 pc
Drip	HW59	Legs	8	234	26	13.7 kg	1 pc
Drip	HW60	Table Top	7	104	250	39.4 kg	1 pc
Drip	HW60	Legs	8	234	26	16 kg	1 pc
Drip	HW61	Table top	7	54	194	13.9 kg	1 pc
Drip	HW61	Legs	16	184	27	19.9 kg	1 pc
Drip	HW62	Table Top	7	84	194	23.2 kg	1 pc
Drip	HW62	Legs	16	184	27	21.7 kg	1 pc
Drip	HW63	Table top	7	54	194	13.9 kg	1 pc
Drip	HW63	Legs	16	184	27	20.2 kg	1 pc
Drip	HW64	Table top	7	84	194	23.2 kg	1 pc
Drip	HW64	Legs	16	184	27	22 kg	1 pc
Drip	HW111	Table top	7	54	144	10.3 kg	1 pc
Drip	HW111	Legs	16	184	27	17.8 kg	1 pc
Drip	HW112	Table top	7	54	144	16.9 kg	1 pc
Drip	HW112	Legs	16	184	27	19.8 kg	1 pc
Drip	HW113	Table top	7	54	144	10.3 kg	1 pc
Drip	HW113	Legs	16	184	27	18.3 kg	1 pc
Drip	HW114	Table top	7	84	144	16.9 kg	1 pc
Drip	HW114	Legs	16	184	27	19.9 kg	1 pc
Pavilion	AV16	Table Top + Stretcher	8	75	145	21.1 kg	1 pc
Pavilion	AV16	Frame	11	66	82	11.1 kg	1 pc
Pavilion	AV17	Table Top + Stretcher	19	75	145	22.1 kg	1 pc

Packaging Information

Product	Model	Category	Height cm	Width cm	Length cm	Weight	Colli qty.
Pavilion	AV17	Frame	11	66	82	11.1 kg	1 pc
Pavilion	AV18	Table	7.2	166	96	33.6 kg	2 pcs
Pavilion	AV19	Table	7.2	206	96	44.0 kg	2 pcs
Pavilion	AV24	Table	7.2	256	116	53.60 kg	1 pc
Drop Leaf	HM5	Side Table	15	85	86	17.95 kg	1 pc
Drop Leaf	HM6	Dining Table	53	142	163	51.60 kg	1 pc
Pinwheel	HM7	Table	5	71	79	6.55 kg	1 pc
Lato	LN8	Lounge Table Top	10	50	70	5.40 kg	1 pc
Lato	LN8	Wood Table Top	70	50	10	4.20 kg	1 pc
Lato	LN9	Lounge Table Top	10	50	70	6.20 kg	1 pc
Lato	LN9	Wood Table Top	70	50	10	4.20 kg	1 pc
Lato	LN8 & LN9	Lounge Table Base	30	30	30	16.00 kg	1 pc
Tung	JA3	Side table	54.5	41	41	13.42 kg	1 pc
Rotate	SC73	Trolley	64	39	39	18.4 kg	1 pc
Alima Trolley	NDS1	Trolley	63	97	46	14.5 kg	1 pc
Alima Tray	NDS1	Trolley Tray	5	51	48.5	2.8 kg	1 pc
Palette	JH7	Lounge Table	50	70	126	28.40 kg	1 pc
Palette	JH9	Desk	88	145	67	32.25 kg	1 pc
Palette	JH25	Lounge Table	48	107	120	49.50 kg	1 pc
Shuffle	MH1	Table	20	79	48	14.70 kg	1 pc
Trace	SC87	Cabinet	210	68	80	55.70 kg	1 pc
Trace	SC88	Cabinet	210	128	80	110 kg	1 pc

SENAB

Färgmarkeringar och/eller symboler för hållbara alternativ i prislistan:

Mörkgrön markering eller symbol

Miljömärkt produkt – Möbler där hela den sammansatta varan har en typ 1 miljömärkning enligt ISO 14024 med Svanen, Möbelfakta, EU Ecolabel eller annan likvärdig märkning.

Ljusgrön markering eller symbol

Hållbarhetsmärkt produkt eller beståndsdel – Möbler där hela eller delar av den sammansatta varan är hållbarhetsmärkt, exempelvis med FSC, EU Ecolabel eller OEKO-TEX®. Leverantören ska kunna ge mer detaljerad information om vilka delar eller variationer som är hållbarhetsmärka vid begäran.

Orange markering eller symbol

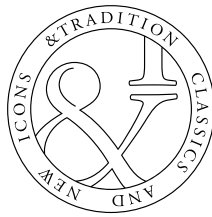
Klimatberäknad produkt – Produkt med dokumenterad miljövarudeklaration (EPD) enligt ISO 14025.

Lila markering eller symbol

Produkt med återvunnet eller förnybart material (enligt definitionerna i ISO 14021). Leverantören ska kunna ge information om andel (%) återvunnet och/eller förnybart (biobaserat) vid begäran. Märkning av återvinningsbart material utgår.

Blå markering eller symbol

Demonterbar produkt – Produkt som är demonterbar till olika komponenter och beståndsdelar som i första hand möjliggör återbruk och i andra hand materialåtervinning när produkten nått sin fulla livslängd. Produkten ska vara designad för renovering, det vill säga att det ska vara enkelt att reparera och byta ut moduler, komponenter och beståndsdelar som slits över tid. Exempelvis ska ytskikt, som bordsskivor, textil och stoppning kunna tas isär, avlägsnas och ersättas med hjälp av vanligt förekommande manuella verktyg, ej specialverktyg. Enklare reparationer och utbytesarbeten ska kunna utföras av en lekman. Om det krävs fackmanakunskap för mer avancerade arbeten ska det framgå av anvisningarna som leverantören ska kunna ge vid begäran. Anvisningarna ska innehålla en sprängskiss, steg för steg beskrivning inklusive vilka verktyg som krävs samt hur möbelns ingående delar bör källsorteras.



&Tradition
Anker Heegaards Gade 8
DK-1572 Copenhagen
info@andtradition.com
andtradition.com

©&Tradition 2023

#andtradition

&Tradition®