



vitra.

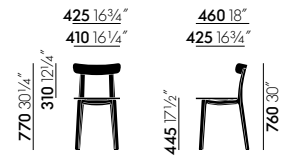
PRICE LIST 2021

HOME COLLECTION & OFFICE SEATING

SE - EN

APC

Jasper Morrison, 2016



All measurements are pursuant to EN 13351

Seat height measured in back third of seat surface with applied weight load of 64 kg. More detailed information is found in the chapter 'Explanation of measurements'.

Backrest, seat and base: dyed-through polypropylene.

Glides: fitted with carpet glides or felt glides for hard floors.

Applications: suitable for outdoor use.

APC

Polypropylene, suitable for outdoor use

Article no.	without VAT in SEK*	with VAT in SEK*
440 388 00	2.472,00	3.090,00

Polypropylene

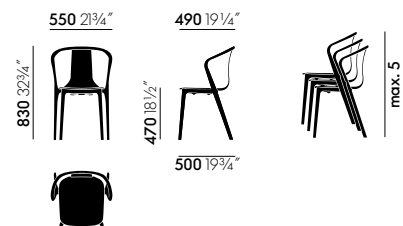
- 01 white - two-tone
- 02 ice grey - two-tone
- 03 graphite grey - two-tone
- 04 ivy two-tone
- 05 brick - two-tone
- 06 brown - two-tone
- 07 buttercup - two-tone

Glides

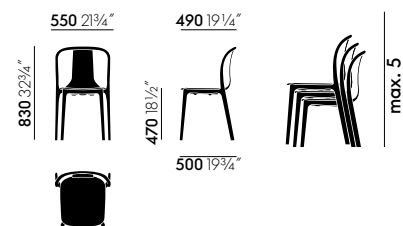
- 04 glides for carpet
- 05 felt glides for hard floor

Belleville Chair

Ronan & Erwan Bouroullec, 2015



Belleville Armchair



Belleville Chair

All measurements are pursuant to EN 1335.1

Seat height measured in back third of seat surface with applied weight load of 64 kg. More detailed information is found in the chapter 'Explanation of measurements'.

Belleville Chair

Seat shell, base and frame: injection-moulded polyamide. Stackable up to 5 high.

Belleville Chair Wood

Seat shell: moulded plywood, protective natural lacquer finish.

Base and frame: injection-moulded polyamide. Stackable up to 5 high.

Belleville Chair

Ronan & Erwan Bouroullec, 2015

vitra.

Belleville Chair Plastic	Article no.	without VAT in SEK*	with VAT in SEK*
polyamide seat shell, stacking, suitable for outdoor use	440 298 00		
Base deep black	12	2.712,00	3.390,00

Belleville Armchair Plastic	Article no.	without VAT in SEK*	with VAT in SEK*
polyamide seat shell, stacking, suitable for outdoor use	440 299 00		
Base deep black	12	3.080,00	3.850,00

Seat shell Plastic

12 deep black
30 cream
35 basalt
83 sea blue
94 moss grey

Seat shell Wood

04 dark oak, with protective varnish
10 natural oak, with protective varnish
68 black ash

Glides

04 glides for carpet
05 felt glides for hard floor

Landi Chair

Hans Coray, 1938



All measurements are pursuant to EN 1335.1

Seat height measured in back third of seat surface with applied weight load of 64 kg. More detailed information is found in the chapter 'Explanation of measurements'.

Seat shell: seat shell in pressed aluminium sheeting with 91 punched holes, matte anodised surface.

Base: armrests and legs from bent aluminium profiles, with welded aluminium cross braces, matt anodised surface.

Glides: glides in light grey injection-moulded TPE.

Applications: ideal for outdoor use in both private and public spaces, such as home patios or balconies, restaurant terraces, open-air cafés etc.

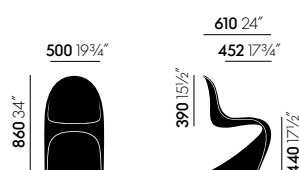
Note: as in the original design, the Landi Chair can be stacked up to 6 units high. Vitra's re-edition of the classic stays true to the original while making the most of the latest technical possibilities. The anodised aluminium surface of the chair is durable and weather-resistant but may develop signs of wear and tear if the chairs are stacked.

Landi Chair

	Article no.	without VAT in SEK*	with VAT in SEK*
aluminium anodized matt	440 270 00	6.640,00	8.300,00

Panton Chair

Verner Panton, 1999



All measurements are pursuant to EN 1335.1

Seat height measured in back third of seat surface with applied weight load of 64 kg. More detailed information is found in the chapter 'Explanation of measurements'.

Back, seat and base: dyed-through polypropylene, 100% recyclable. Matt finish. Suited for outdoor use.

Note: special additives retard the fading of colours due to UV radiation. However, if the chair is exposed to sunlight for prolonged periods, the colour may change over time. We recommend limited exposure to sunlight.

Panton Chair (new height)

	Article no.	without VAT in SEK*	with VAT in SEK*
polypropylene	440 035 00		
Shell in all colours		2.480,00	3.100,00

Panton Chair

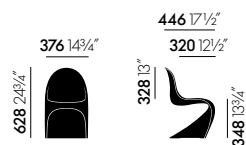
	Article no.	without VAT in SEK*	with VAT in SEK*
Chair in white	QS4 003 5A	2.480,00	3.100,00

Seat shell

- 04 white
- 12 deep black
- 28 classic red
- 37 glacier blue
- 41 pale rose
- 57 soft mint
- 98 bordeaux

Panton Junior

Verner Panton, 1959/1960



All measurements are pursuant to EN 1335.1

Seat height measured in back third of seat surface with applied weight load of 64 kg. More detailed information is found in the chapter 'Explanation of measurements'.

Material: dyed-through polypropylene. Matte finish. Also suited for outdoor use.

Note: special additives retard the fading of colours due to UV radiation. However, if the chair is exposed to sunlight for prolonged periods, the colour may change over time. We recommend limited exposure to sunlight.



Panton Junior

classic red

210 196 18

SEK* 1.392,00 / 1.740,00



Panton Junior

soft mint

210 196 05

SEK* 1.392,00 / 1.740,00



Panton Junior

sea blue

210 196 06

SEK* 1.392,00 / 1.740,00



Panton Junior

white

210 196 04

SEK* 1.392,00 / 1.740,00



Panton Junior

pale rose

210 196 07

SEK* 1.392,00 / 1.740,00



Panton Junior

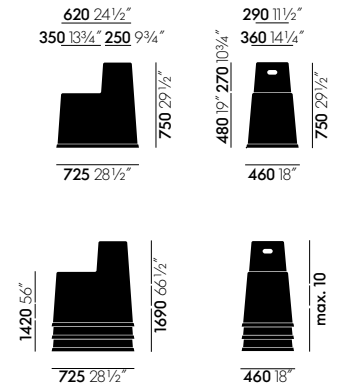
golden yellow

210 196 08

SEK* 1.392,00 / 1.740,00

Stool-Tool

Konstantin Grcic, 2016



Stool-Tool

All measurements are pursuant to EN 1335.1

Stool: polypropylene, 5.5 kg, up to 10 units can be stacked on the floor, incl. stacking protectors.

Glides: universal glides.

Applications: all colours are suited for outdoor use.

Note: special additives retard the fading of colours due to UV radiation. However, if Stool-Tool is exposed to sunlight for prolonged periods, the colour may change over time. For this reason, limited exposure to sunlight is advisable.

Stool-Tool

	Article no.	without VAT in SEK*	with VAT in SEK*
stackable	440 396 00	2.360,00	2.950,00

Stools

- 03 poppy red
- 24 light grey
- 76 industrial green

Tip Ton

Edward Barber & Jay Osgerby, 2011



All measurements are pursuant to EN 1335.1

Seat height measured in back third of seat surface with applied weight load of 64 kg. More detailed information is found in the chapter 'Explanation of measurements'.

Backrest, seat, base: polypropylene.

Glides: polyethylene.

Stacking: Tip Ton can be stacked up to 4 chairs high on the floor, up to 11 on a stacking trolley. A stacking trolley is separately available.

Outdoor use: Tip Ton is suitable for outdoor use.

Note: special additives retard the fading of colours due to UV radiation. However, if the chair is exposed to sunlight for prolonged periods, the colour may change over time. We recommend limited exposure to sunlight.

Tip Ton

	Article no.	without VAT in SEK*	with VAT in SEK*
stackable	440 230 00		
Shell in all colours		2.480,00	3.100,00

Stacking trolley

	Article no.	without VAT in SEK*	with VAT in SEK*
Suitable for up to 11 chairs	440 235 00	12.400,00	15.500,00

Plastic chair

- 01 basic dark
- 04 white
- 23 ice grey
- 35 basalt
- 37 glacier blue
- 74 olive
- 76 industrial green
- 78 mango

Office and conference chairs (swivel)

Chairs

Meeting and conference tables

Tables

Desks

Public waiting areas

Lounge chairs and armchairs

Sofas

Coffee and side tables

Stools and benches

Storage and partition elements

Accessories

Living, dining, decorative objects, home office,
clocks, lighting, publications

Quick Ship programme

General terms, conditions
and information

Belleville Table

Ronan & Erwan Bouroullec, 2015

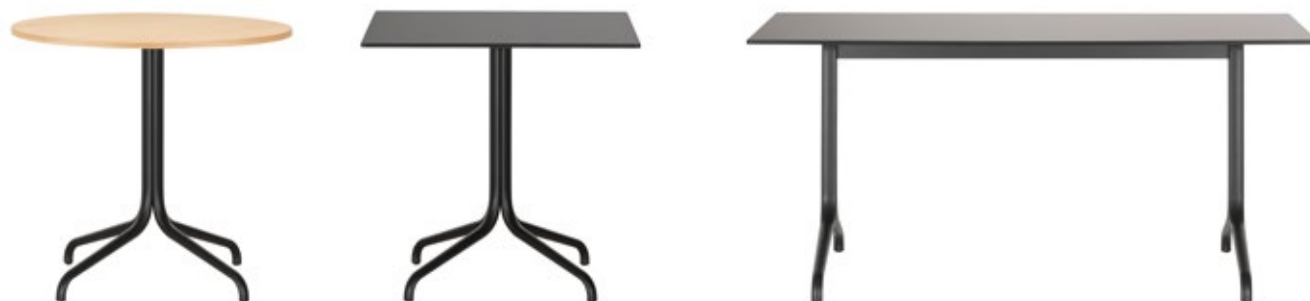
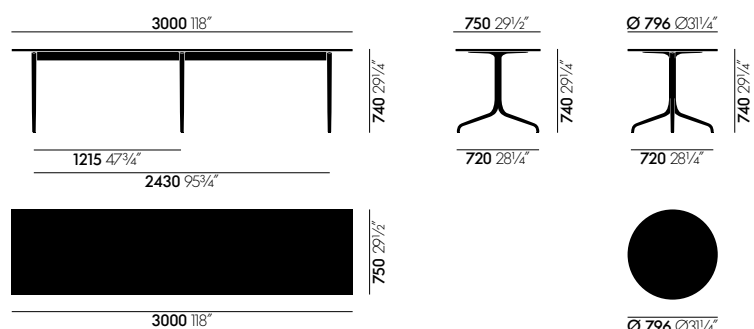


Table top: oak veneer in natural or dark oak (20 mm); melamine faced in white with smooth straight plastic edge (19 mm); or solid core material with black edge (12 mm) in the colours white or black. Solid core table top in black with anti-fingerprint coating.

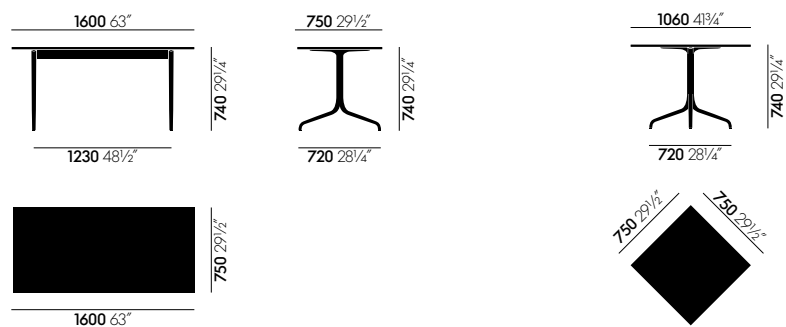
Base: powder-coated with finely textured finish in deep black (RAL 9005). The height of the base including screw-in glides is 720 mm; the glides can be adjusted (max. extension 10 mm) for levelling on uneven floors.

Applications: table with top in solid core material and powder-coated base is suited for outdoor use. The powder-coated bases are pre-galvanised.



Rectangular table, 3000 x 750 mm

Round table, Ø
796 mm



Rectangular table, 1600 x 750 mm

Square table, 750 x
750 mm

Belleville Table

Ronan & Erwan Bouroullec, 2015

vitra.

Round table, outdoor, Ø 796 mm

	Article no.	without VAT in SEK*	with VAT in SEK*
	443 025 01		
Base deep black, solid core material white	1201	6.552,00	8.190,00
Base deep black, solid core material black	1230	6.552,00	8.190,00

Square table, outdoor, 750 x 750 mm

	Article no.	without VAT in SEK*	with VAT in SEK*
	443 027 01		
Base deep black, solid core material white	1201	6.552,00	8.190,00
Base deep black, solid core material black	1230	6.552,00	8.190,00

Rectangular table, outdoor, 1600 x 750 mm

	Article no.	without VAT in SEK*	with VAT in SEK*
	443 029 01		
Base deep black, solid core material white	1201	13.600,00	17.000,00
Base deep black, solid core material black	1230	13.600,00	17.000,00

Belleville Table

Ronan & Erwan Bouroullec, 2015

vitra.

Rectangular table, outdoor, 3000 x 750 mm

	Article no.	without VAT in SEK*	with VAT in SEK*
	443 031 01		
Base deep black, solid core material white	1201	24.000,00	30.000,00
Base deep black, solid core material black	1230	24.000,00	30.000,00

Bistro Stand-up Table

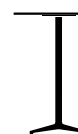
Ronan & Erwan Bouroullec, 2010



Ø 796 Ø 31¼"



Ø 796 Ø 31¼"



1100 43¼"

Ø 642 Ø 25¼"



Ø 642 Ø 25¼"



1100 43¼"

Table tops available in three materials: melamine faced, white surface, smooth straight plastic edge (19 mm); light or dark oak veneer (Europe) (19 mm); solid core laminate in the colours white, pastel grey or black with black edge (12 mm). The solid core table top in black has an additional anti-fingerprint coating.

Base: powder-coated in basic dark (RAL 9004). The height of the base including screw-in glides is 1080 mm; the glides can be adjusted (max. extension 10 mm) for levelling on uneven floors.

Applications: table with top in solid core laminate is also suited for outdoor use. Pre-galvanised base.

Bistro Stand-up Table

Ronan & Erwan Bouroullec, 2010

vitra.

Round table, outdoor, Ø 796 mm	Article no.	without VAT in SEK*	with VAT in SEK*
	443 011 00		
basic dark, compact laminate white	3004	8.800,00	11.000,00
basic dark, compact laminate pastel grey	3006	8.800,00	11.000,00
basic dark, compact laminate black	3005	9.600,00	12.000,00
package of 10	443 011 01		
basic dark, compact laminate white	3004	88.000,00	110.000,00
basic dark, compact laminate pastel grey	3006	88.000,00	110.000,00
basic dark, compact laminate black	3005	96.000,00	120.000,00

Round table, outdoor, Ø 642 mm	Article no.	without VAT in SEK*	with VAT in SEK*
	443 013 00		
basic dark, compact laminate white	3004	8.720,00	10.900,00
basic dark, compact laminate pastel grey	3006	8.720,00	10.900,00
basic dark, compact laminate black	3005	9.360,00	11.700,00
package of 10	443 013 01		
basic dark, compact laminate white	3004	87.200,00	109.000,00
basic dark, compact laminate pastel grey	3006	87.200,00	109.000,00
basic dark, compact laminate black	3005	93.600,00	117.000,00

Bistro Table

Ronan & Erwan Bouroullec, 2009/2010



Ø796 31 1/4"



Ø796 31 1/4"



740 29 1/4"

640 25 1/4"



796 31 1/4"

640 25 1/4"



740 31 1/4"

Table tops available in three materials: melamine faced, white surface, smooth straight plastic edge (19 mm); light or dark oak veneer (Europe) (19 mm); solid core laminate in the colours white, pastel grey or black with black edge (12 mm). The solid core table top in black has an additional anti-fingerprint coating.

Base: powder-coated in basic dark (RAL 9004). The height of the base including screw-in glides is 715 mm; the glides can be adjusted (max. extension 10 mm) for levelling on uneven floors.

Applications: table with top in solid core laminate is also suited for outdoor use. Pre-galvanised base.

Bistro Table

Ronan & Erwan Bouroullec, 2009/2010

vitra.

Round table, outdoor, Ø 796 mm	Article no.	without VAT in SEK*	with VAT in SEK*
	443 009 00		
basic dark, solid core material white	3004	8.720,00	10.900,00
basic dark, solid core material pastel grey	3006	8.720,00	10.900,00
basic dark, solid core material black	3005	9.440,00	11.800,00
package of 10	443 009 01		
basic dark, compact laminate white	3004	87.200,00	109.000,00
basic dark, compact laminate pastel grey	3006	87.200,00	109.000,00
basic dark, compact laminate black	3005	94.400,00	118.000,00

Rectangular table, outdoor, 640 x 796 mm	Article no.	without VAT in SEK*	with VAT in SEK*
	443 007 00		
basic dark, solid core material white	3004	8.240,00	10.300,00
basic dark, solid core material pastel grey	3006	8.240,00	10.300,00
basic dark, solid core material black	3005	8.640,00	10.800,00
package of 10	443 007 01		
basic dark, compact laminate white	3004	82.400,00	103.000,00
basic dark, compact laminate pastel grey	3006	82.400,00	103.000,00
basic dark, compact laminate black	3005	86.400,00	108.000,00

Eames Contract Tables

Charles & Ray Eames, 1968

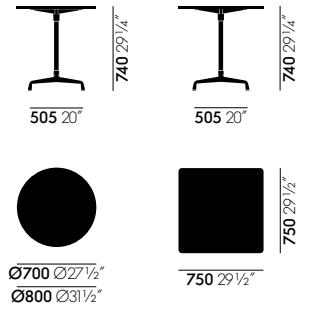


Table tops: available in four materials: melamine faced white surface (25 mm) with smooth straight plastic edge in white; light or dark oak veneer (Europe) (25 mm) with straight veneer edge; solid core laminate in white (12 mm) with black edge; HPL (25 mm) with black edge.

Base: stable pedestal base, four-star legs in die-cast aluminium. Available in four versions: base polished or chrome-plated with column in basic dark (RAL 9004), all chrome or all powder-coated (textured finish) in deep black (RAL 9005) or white (RAL 9010). The height of the base including screw-in glides is 71 cm; the glides can be adjusted (max. extension 10 mm) for levelling on uneven floors.

Applications: the powder-coated base can be paired with a solid core table top for outdoor use.

Eames Contract Tables

Charles & Ray Eames, 1968

vitra.

Round table, Ø 70	Article no.	without VAT in SEK*	with VAT in SEK*
	443 039 01		
	03		
compact laminate white, suitable for outdoor use	01	6.440,00	8.050,00
	12		
	17		
	04		
Universal base			
	40		
	10		
base and column powder-coated in deep black, suitable for outdoor use	51	392,00	490,00
base and column powder-coated in white, suitable for outdoor use	61	392,00	490,00
	20		

Round table, Ø 80	Article no.	without VAT in SEK*	with VAT in SEK*
	443 040 01		
Table top			
	03		
compact laminate white, suitable for outdoor use	01	6.808,00	8.510,00
	12		
	17		
	04		
Universal base			
	40		
	10		
base and column powder-coated in deep black, suitable for outdoor use	51	392,00	490,00
base and column powder-coated in white, suitable for outdoor use	61	392,00	490,00
	20		

Square table, 75 x 75	Article no.	without VAT in SEK*	with VAT in SEK*
	443 042 01		
Table top			
	03		
compact laminate white, suitable for outdoor use	01	6.808,00	8.510,00
	12		
	17		
	04		
Universal base			
	40		
	10		
base and column powder-coated in deep black, suitable for outdoor use	51	392,00	490,00
base and column powder-coated in white, suitable for outdoor use	61	392,00	490,00
	20		

Metal Side Tables

Ronan & Erwan Bouroullec, 2004

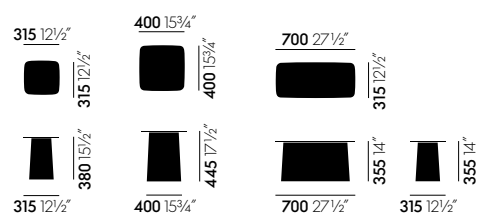


Table top and base: bent and welded sheet steel, galvanised and powder-coated with fine surface texture.

Glides: polyamide.

Applications: galvanised, powder-coated Metal Side Tables with a fine surface texture are suitable for indoor and outdoor use.



Metal Side Table (Outdoor)

soft light

210 506 52

SEK* 5.160,00 / **6.450,00**



Metal Side Table (Outdoor)

soft light

210 507 52

SEK* 5.920,00 / **7.400,00**



Metal Side Table (Outdoor)

soft light

210 508 52

SEK* 6.632,00 / **8.290,00**



Metal Side Table (Outdoor)

ice grey

210 506 23

SEK* 5.160,00 / **6.450,00**



Metal Side Table (Outdoor)

ice grey

210 507 23

SEK* 5.920,00 / **7.400,00**



Metal Side Table (Outdoor)

ice grey

210 508 23

SEK* 6.632,00 / **8.290,00**



Metal Side Table (Outdoor)

dim grey

210 506 21

SEK* 5.160,00 / **6.450,00**



Metal Side Table (Outdoor)

dim grey

210 507 21

SEK* 5.920,00 / **7.400,00**



Metal Side Table (Outdoor)

dim grey

210 508 21

SEK* 6.632,00 / **8.290,00**



Metal Side Table (Outdoor)

black

210 506 12

SEK* 5.160,00 / **6.450,00**



Metal Side Table (Outdoor)

black

210 507 12

SEK* 5.920,00 / **7.400,00**



Metal Side Table (Outdoor)

black

210 508 12

SEK* 6.632,00 / **8.290,00**

Elephant Stool

Sori Yanagi, 1954



Material: dyed-through polypropylene.

Applications: suitable for outdoor use. Special additives help to prevent colours from fading due to UV radiation. However, if the stool is exposed to sunlight for prolonged periods, the colour may change over time. We recommend limited exposure to sunlight.



Elephant Stool

black

210 020 02

SEK* 872,00 / 1.090,00



Elephant Stool

cream

210 020 30

SEK* 872,00 / 1.090,00



vitra.